



US00D954261S

(12) **United States Design Patent** (10) **Patent No.:** **US D954,261 S**
Johnston, Jr. (45) **Date of Patent:** **** Jun. 7, 2022**

- (54) **DEVICE FOR NASAL CAVITY CLEANING AND APPLICATION OF ESSENTIAL OILS**
- (71) Applicant: **Thomas Johnston, Jr.**, Rogersville, MO (US)
- (72) Inventor: **Thomas Johnston, Jr.**, Rogersville, MO (US)
- (**) Term: **15 Years**
- (21) Appl. No.: **29/748,073**
- (22) Filed: **Aug. 27, 2020**
- (51) **LOC (13) Cl.** **24-02**
- (52) **U.S. Cl.**
USPC **D24/147**
- (58) **Field of Classification Search**
USPC D28/9, 99; D3/205; D24/133, 135, 141, D24/152, 176, 108, 119, 146, 147, 149
CPC A45D 44/00; A61B 17/24; A61B 1/00; A61B 2017/246
See application file for complete search history.

(56) **References Cited**

U.S. PATENT DOCUMENTS

D285,250 S	8/1986	Audette	D24/23
D285,251 S	8/1986	Audette	D24/23
D415,275 S	10/1999	Huttner	D24/147
D423,669 S	4/2000	Huttner et al.	D24/147
6,270,510 B1	8/2001	Westendorf	A61F 17/24
D515,213 S *	2/2006	Huttner	D24/147
D596,745 S *	7/2009	Maissami	D24/152
8,241,236 B2	8/2012	Yardley	A61B 17/24
D704,378 S *	5/2014	Zreik	D28/57
D733,300 S *	6/2015	Bennett	D24/147
D771,814 S	11/2016	Farzin	A61B 17/24
9,480,605 B2	11/2016	Farzin	A61F 11/006
9,532,793 B2	1/2017	Wilson	A61F 9/00
D785,796 S *	5/2017	Efinger	D24/147
D825,757 S *	8/2018	Pirtle	D24/152
10,065,028 B2	9/2018	Liberatore et al.	...	A61M 29/02

- D865,957 S * 11/2019 Alexander D24/135
- D865,958 S * 11/2019 Alexander D24/135
- D898,914 S * 10/2020 Niver D24/147
- D901,687 S * 11/2020 Chalk D24/146
- D912,813 S * 3/2021 Harder D24/135
- D931,407 S * 9/2021 Williams D22/199
- D931,448 S * 9/2021 Taylor D24/133
- 2003/0163150 A1 8/2003 Kim A61F 9/00

(Continued)

Primary Examiner — Jennifer Rivard
Assistant Examiner — Alison M Ofstun
(74) *Attorney, Agent, or Firm* — Jonathan A. Bay

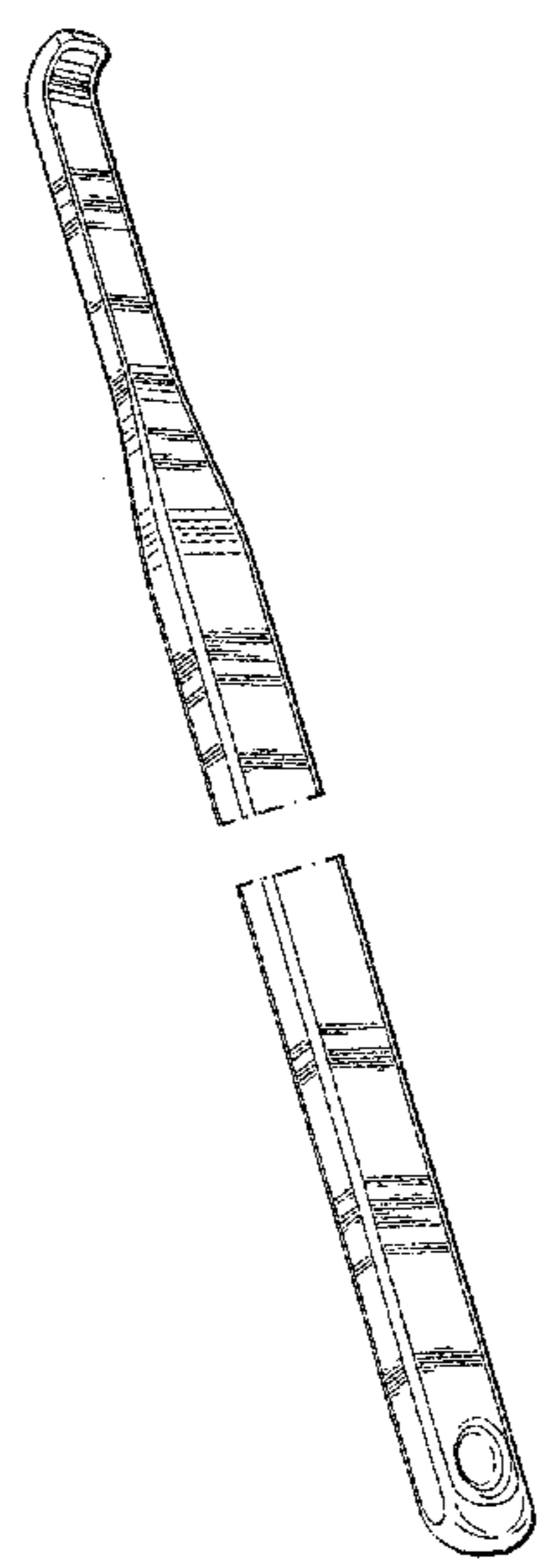
(57) **CLAIM**
The ornamental design for a device for nasal cavity cleaning and application of essential oils, as shown and described.

DESCRIPTION

FIG. 1 is a perspective view of a device for nasal cavity cleaning and application of essential oils, showing my new design, shown in an environment of use;
FIG. 2 is a second perspective view thereof, shown in a second position and environment of use;
FIG. 3 is an enlarged perspective view thereof, shown with the environment removed;
FIG. 4 is a left side elevational view thereof, the right side being a mirror opposite image thereof;
FIG. 5 is a rear elevational view thereof;
FIG. 6 is a front elevational view thereof;
FIG. 7 is an enlarged top plan view thereof;
FIG. 8 is an enlarged bottom plan view thereof; and,
FIG. 9 is an enlarged cross-sectional view thereof, taken along line 9-9 in FIG. 6.

The article is shown with a symbolic break in its length. The appearance of any portion of the article between the break lines forms no part of the claimed design.
The broken lines in the drawing represent environmental subject matter that forms no part of the claimed design.

1 Claim, 6 Drawing Sheets



(56)

References Cited

U.S. PATENT DOCUMENTS

2003/0187469 A1 10/2003 Olson A61F 9/00
2007/0178419 A1* 8/2007 Berman A61C 7/02
433/3
2007/0299457 A1 12/2007 Morales A61F 11/00
2009/0024039 A1 9/2009 Yardley A61B 17/22
2010/0042122 A1 2/2010 Shaw, Jr. A61F 11/00
2013/0184684 A1 7/2013 Yardley A61F 13/126
2015/0018861 A1 1/2015 Olson A61F 11/006
2015/0039003 A1 2/2015 Wilson A61B 17/24
2015/0066071 A1* 3/2015 Alexander A61F 5/08
606/199
2016/0128709 A1 5/2016 Covello A61B 17/24
2016/0175154 A1 6/2016 Olson A61F 11/006
2019/0076158 A1 3/2019 Cummings A61B 17/24
2021/0196297 A1* 7/2021 Contreras A61B 17/24
2021/0251641 A1* 8/2021 Bajwa A61B 17/24

* cited by examiner

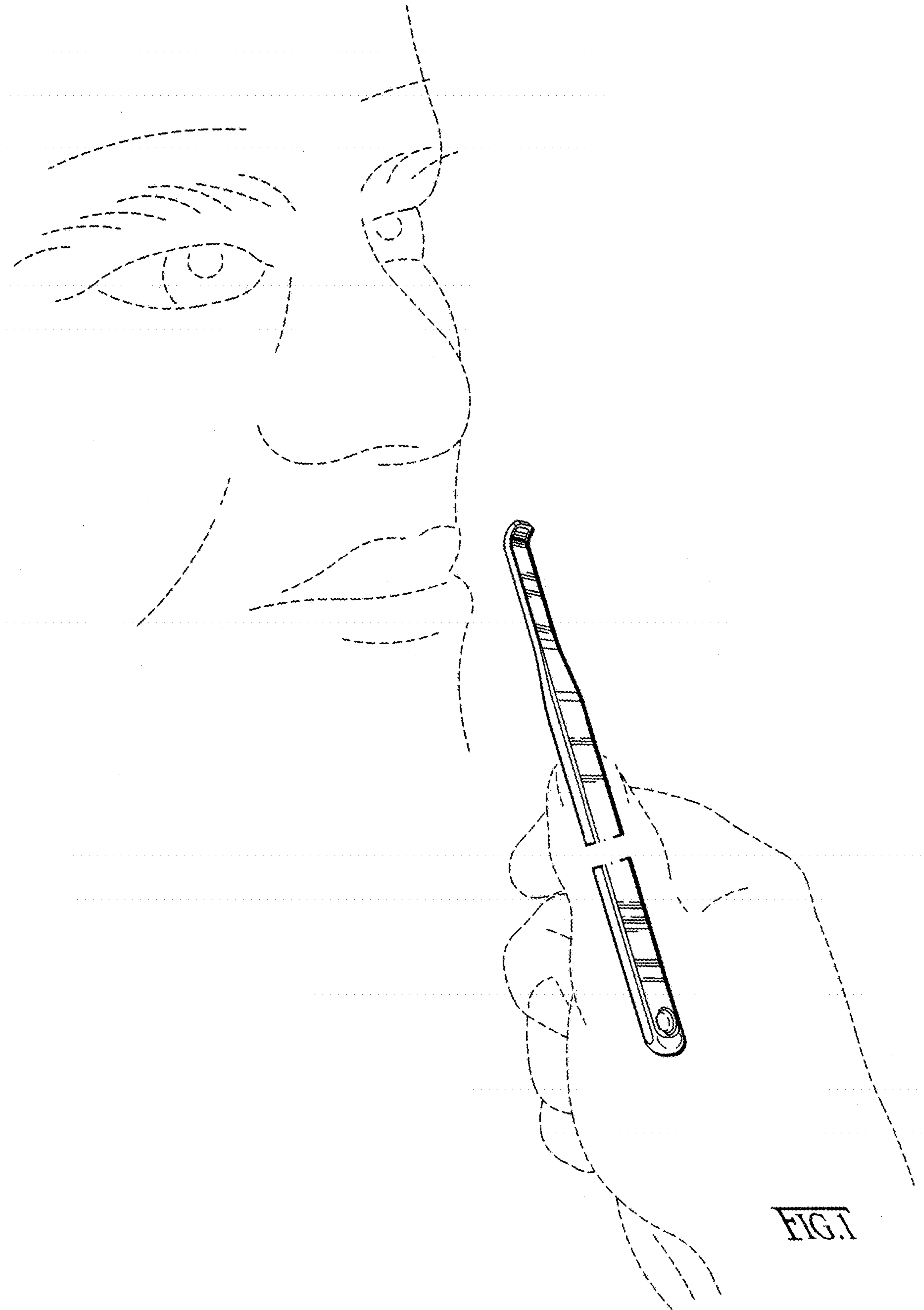


FIG. 1

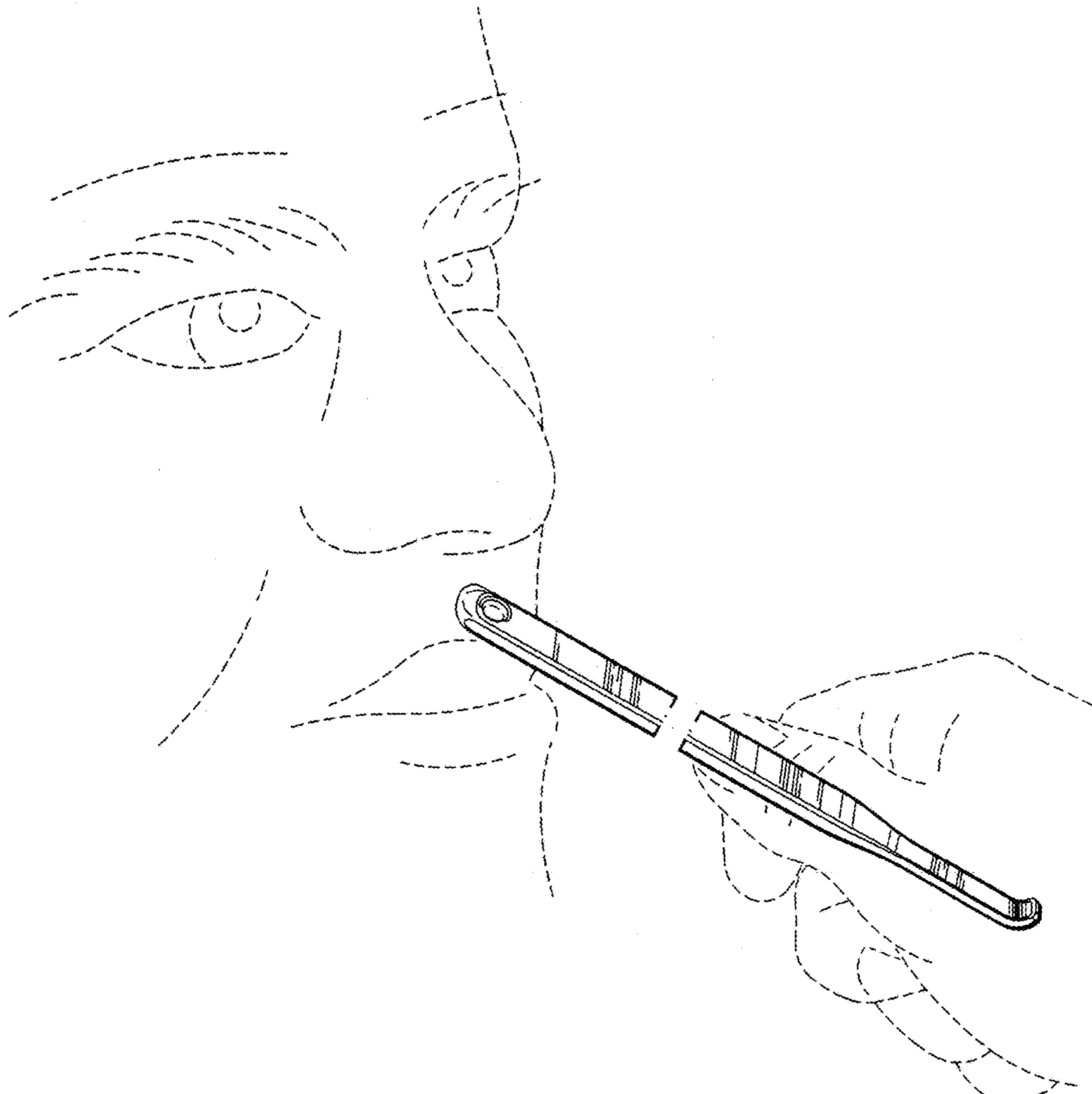


FIG. 2

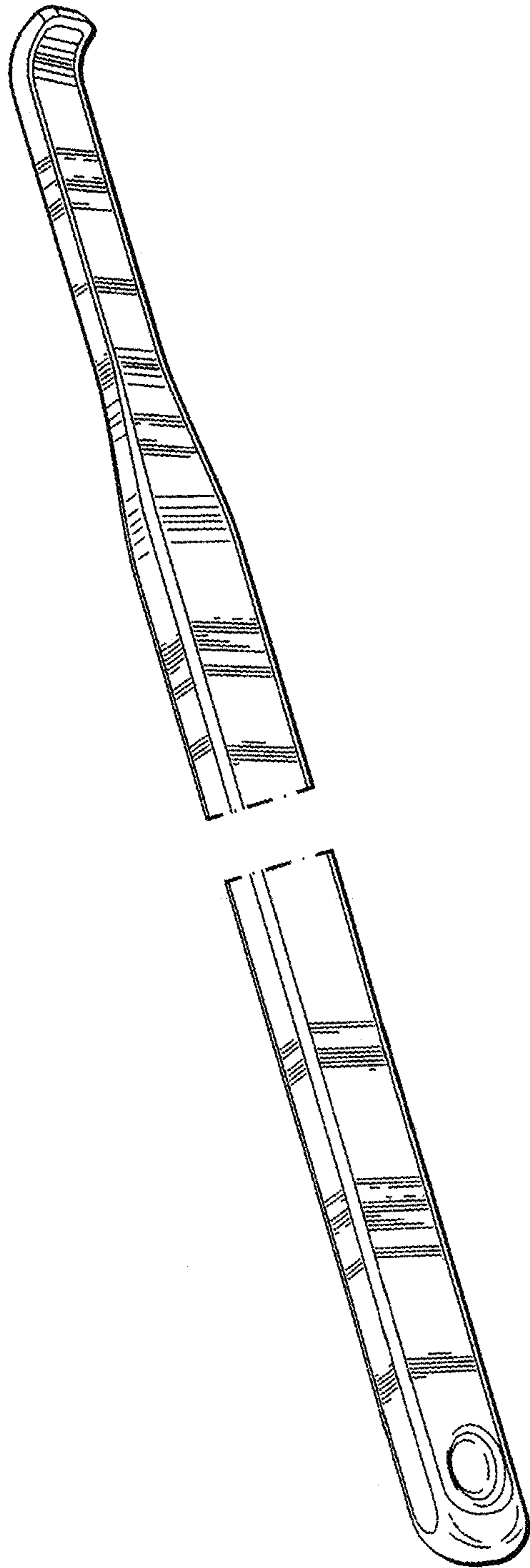


FIG. 3

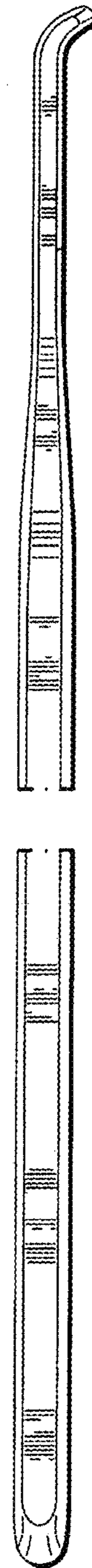


FIG. 4

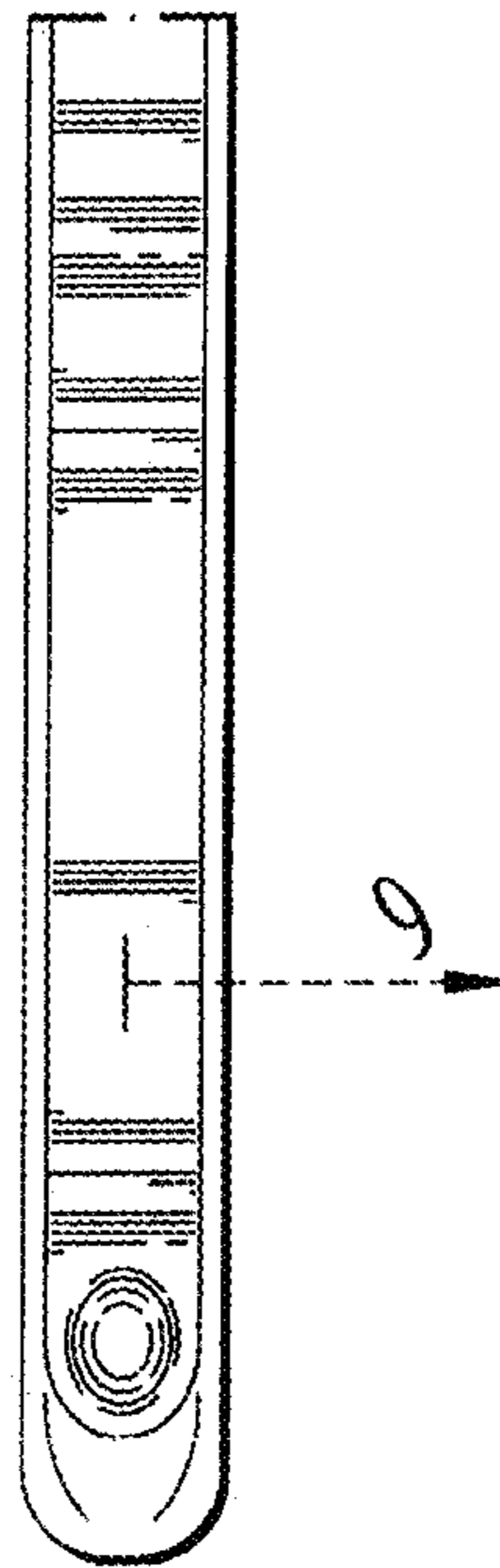
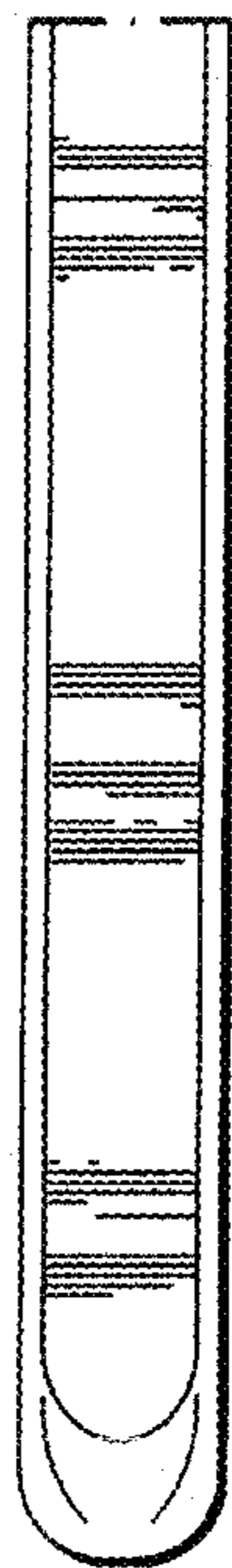
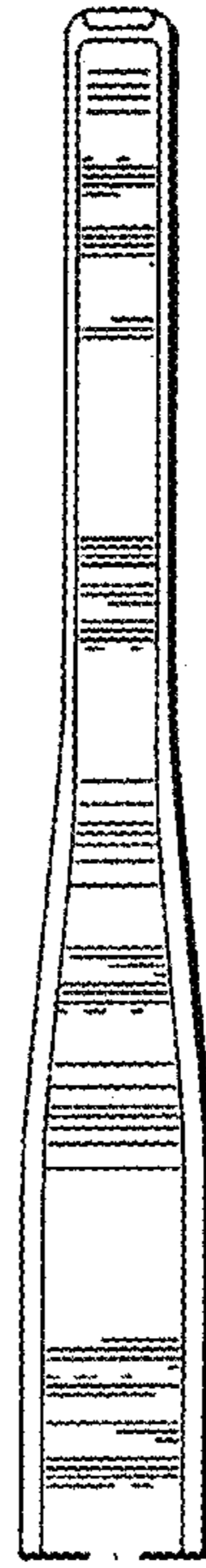
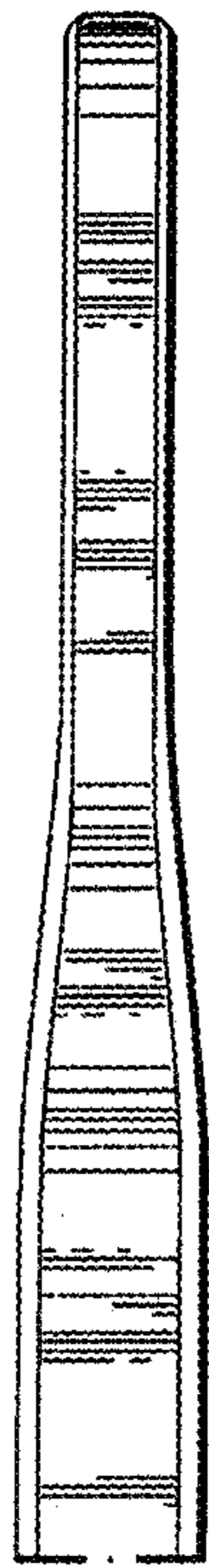


FIG. 5

FIG. 6

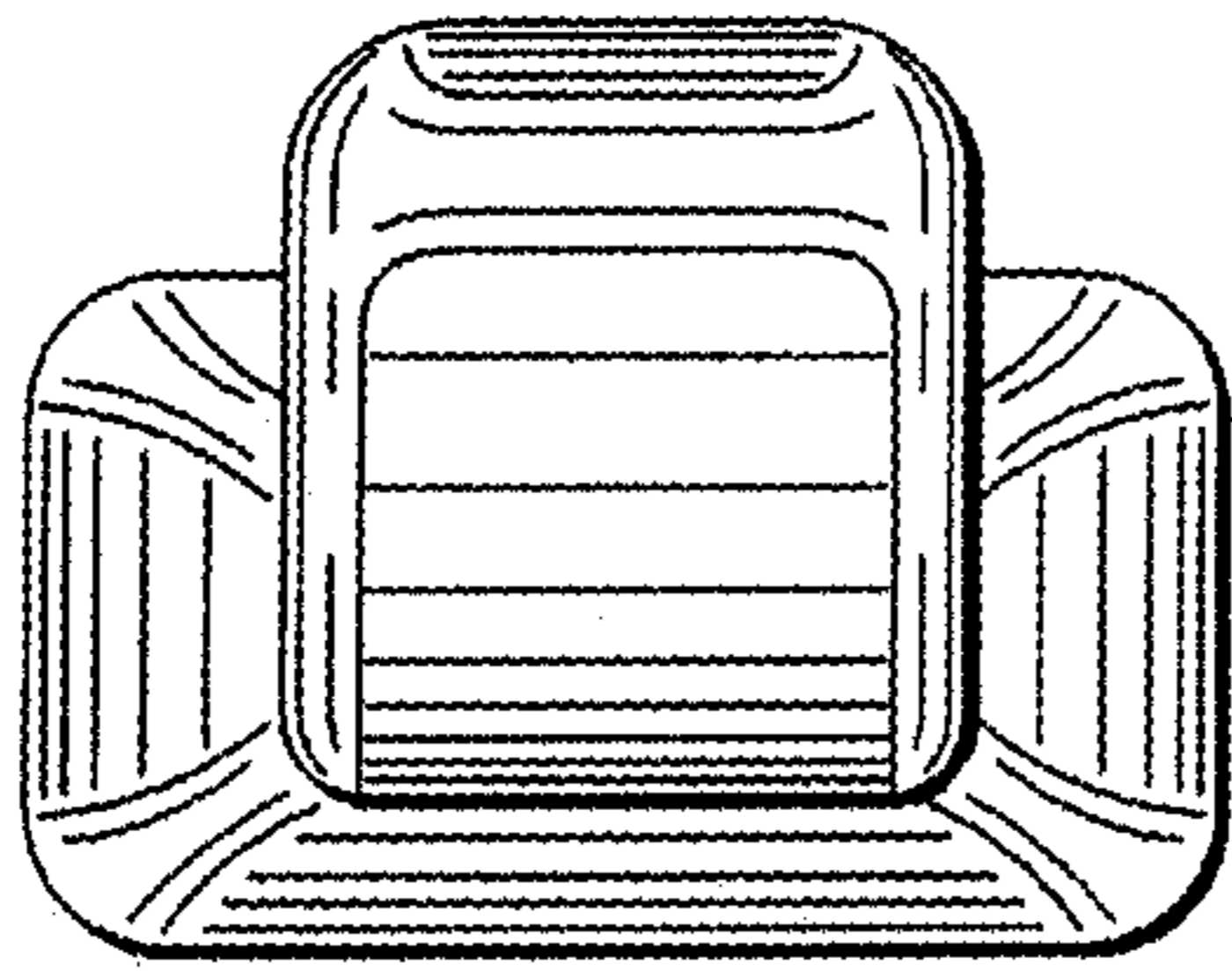


FIG. 7

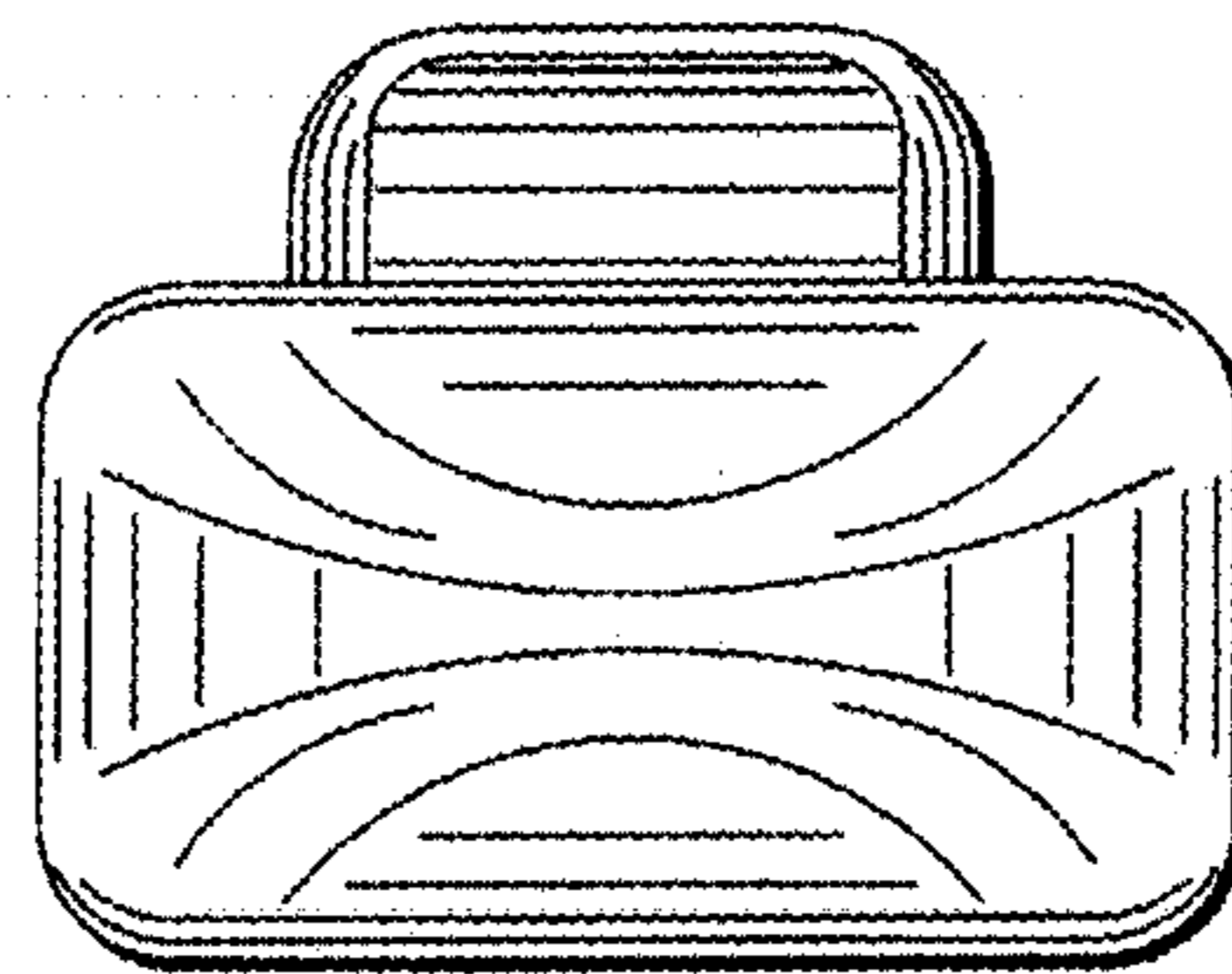


FIG. 8

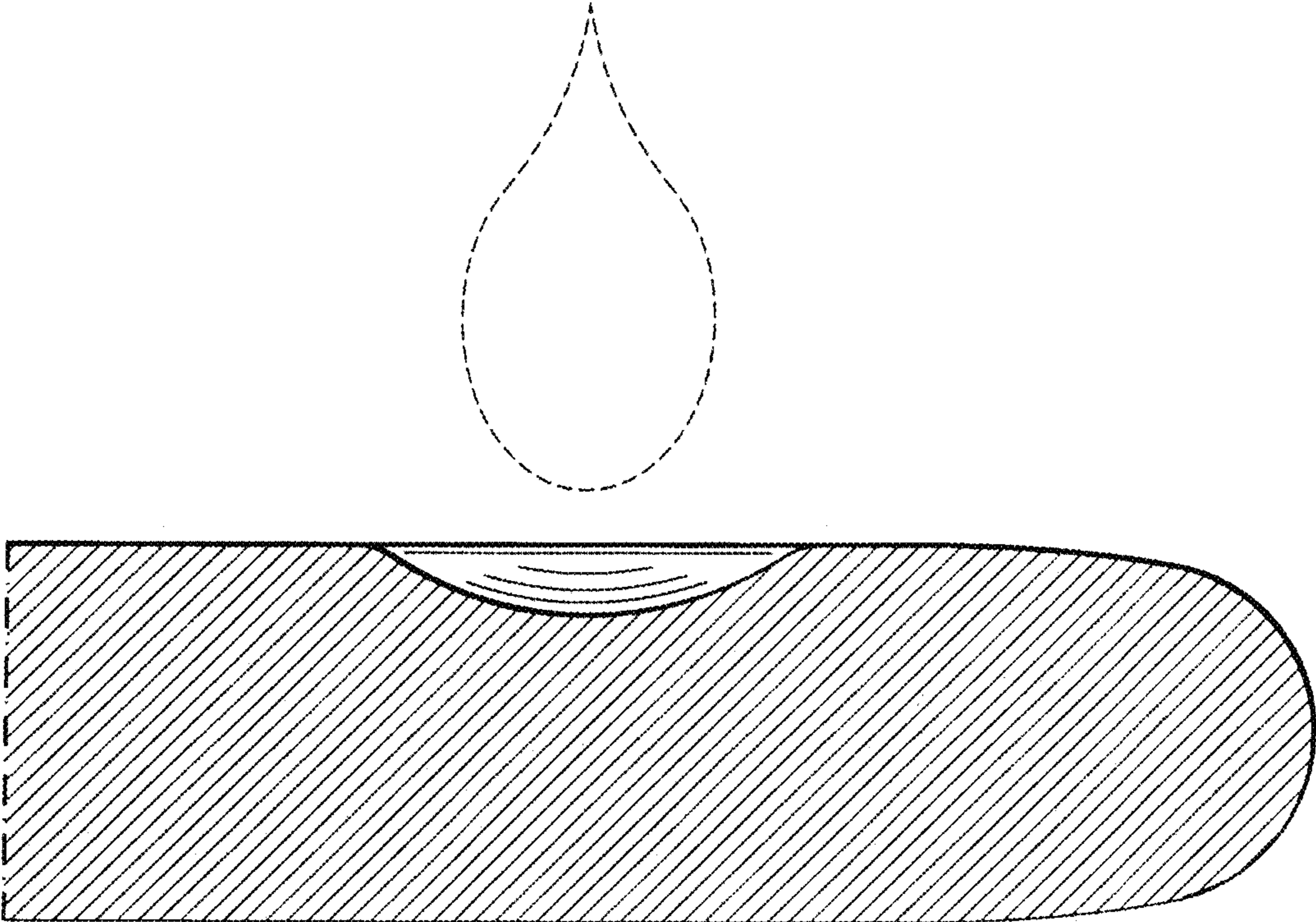


FIG. 9