



US00D954256S

(12) **United States Design Patent**
Fournier et al.

(10) **Patent No.:** **US D954,256 S**
(45) **Date of Patent:** **** Jun. 7, 2022**

(54) **PROTECTIVE CAP FOR INJECTION NEEDLE**

(71) Applicant: **APTAR STELMI SAS**, Villepinte (FR)

(72) Inventors: **Ghislain Fournier**, La Rochelle (FR);
Mickaël Swal, Séry Magneval (FR);
Andrew Thomas Snow, Fishers, IN (US);
William Godwin Atterbury, Columbus, OH (US)

(73) Assignee: **APTAR STELMI SAS**, Villepinte (FR)

(**) Term: **15 Years**

(21) Appl. No.: **29/729,933**

(22) Filed: **Mar. 31, 2020**

(30) **Foreign Application Priority Data**

Feb. 13, 2020 (EM) 007693502-0003

(51) **LOC (13) Cl.** **24-02**

(52) **U.S. Cl.**
USPC **D24/130**

(58) **Field of Classification Search**
USPC D24/112–114, 127–131, 133, 186
CPC A61M 5/3202; A61M 2005/3104; A61M 5/3134

See application file for complete search history.

(56) **References Cited**

U.S. PATENT DOCUMENTS

D461,557 S * 8/2002 Courteix D24/130
D581,049 S * 11/2008 Sudo D24/130
D743,560 S * 11/2015 Pietrantonio D24/186
9,174,004 B2 * 11/2015 Raj A61M 5/3202
D747,476 S * 1/2016 Kawamura D24/130
D748,778 S * 2/2016 Shiozaki D24/130
D760,893 S * 7/2016 Honda D24/130
9,604,012 B2 * 3/2017 Horita A61M 5/344

D784,523 S * 4/2017 Kearns D24/127
D787,053 S * 5/2017 Huang D24/130
D824,512 S * 7/2018 Laliberte D24/112
D825,749 S * 8/2018 Huang D24/130
10,238,813 B2 * 3/2019 Spallek A61M 5/347
D881,392 S * 4/2020 Pujara D24/130

(Continued)

FOREIGN PATENT DOCUMENTS

EM 007693502-0004 * 2/2020
JP D1693150 * 8/2021
WO D209652-002 * 8/2020

OTHER PUBLICATIONS

Pre-filled Syringe and Cartridge Components, Aptar Pharma catalog, [Version 1 2016],[Seen Sep. 29, 2021], downloaded from URL: https://www.aptar.com/wp-content/uploads/2020/07/pds_pfsandcartridgecomponents_2.pdf (Year: 2016).*

Primary Examiner — Natasha Vujcic

Assistant Examiner — Gilbert B Ford

(74) *Attorney, Agent, or Firm* — Sughrue Mion, PLLC

(57) **CLAIM**

The ornamental design for a protective cap for injection needle, as shown and described.

DESCRIPTION

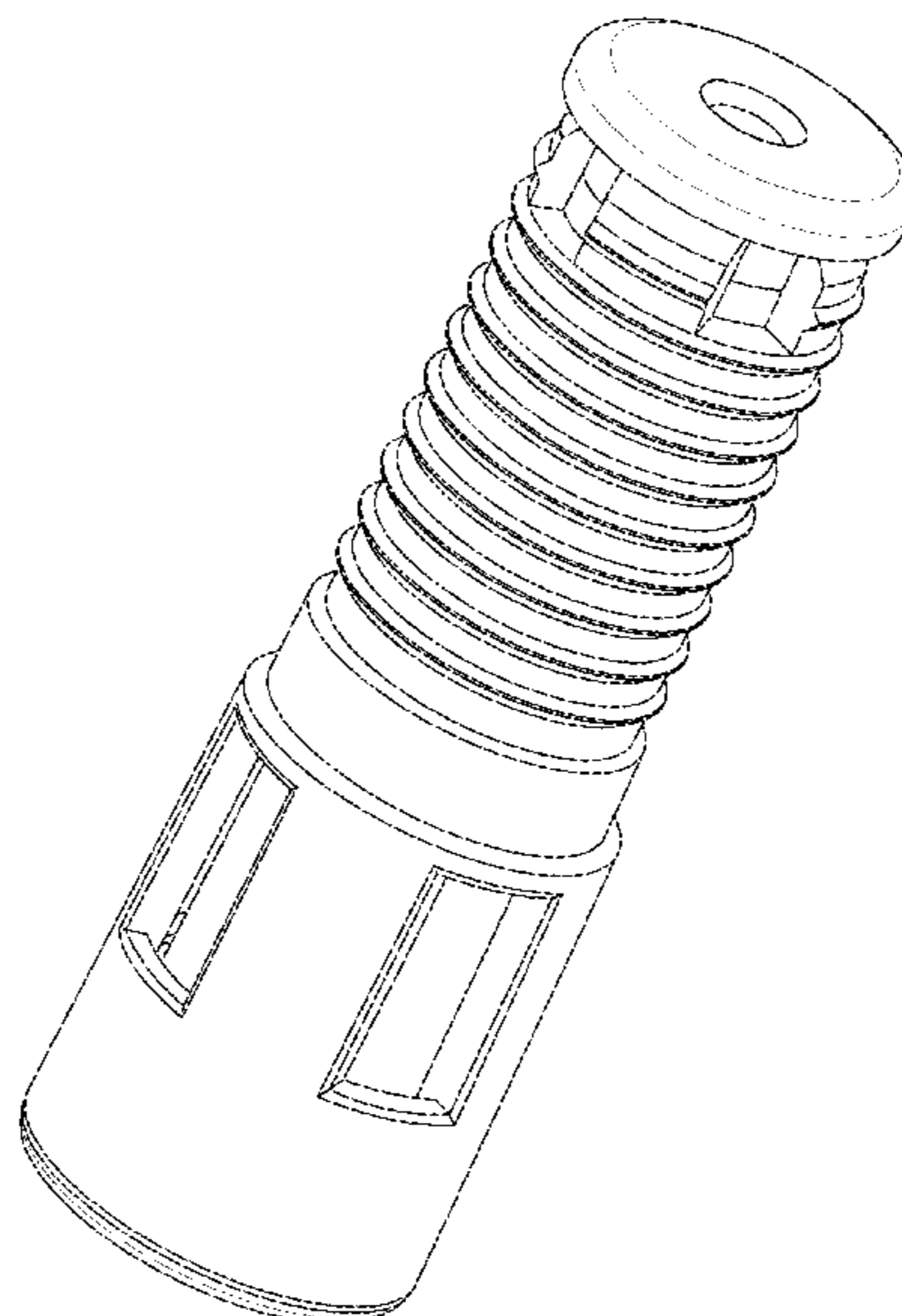
FIG. 1 is a side view of a protective cap for injection needles. FIG. 2 is a bottom view of a protective cap for injection needles.

FIG. 3 is a top view of a protective cap for injection needles. FIG. 4 is a perspective view of a protective cap for injection needles; and,

FIG. 5 is another perspective view of a protective cap for injection needles.

The broken lines are for environmental purposes only and form no part of the claimed design.

1 Claim, 5 Drawing Sheets



(56)

References Cited

U.S. PATENT DOCUMENTS

10,751,482	B2 *	8/2020	Schraga	A61M 5/347
10,973,985	B2 *	4/2021	Fournier	A61M 5/3202
D922,566	S *	6/2021	Ono	D24/112
D923,784	S *	6/2021	Pupino	D24/130
11,040,149	B1 *	6/2021	Banik	A61M 5/3202
2015/0297837	A1 *	10/2015	Schraga	A61M 5/3202
				604/192
2018/0339115	A1 *	11/2018	Li	A61M 5/3234

* cited by examiner

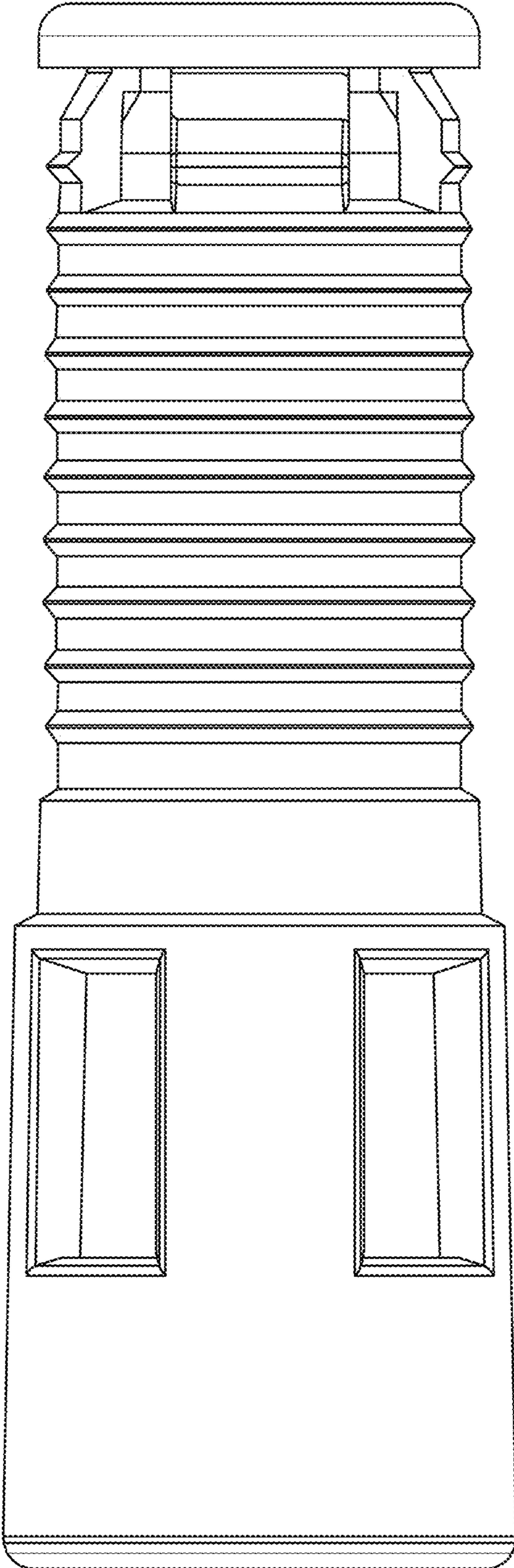


FIG. 1

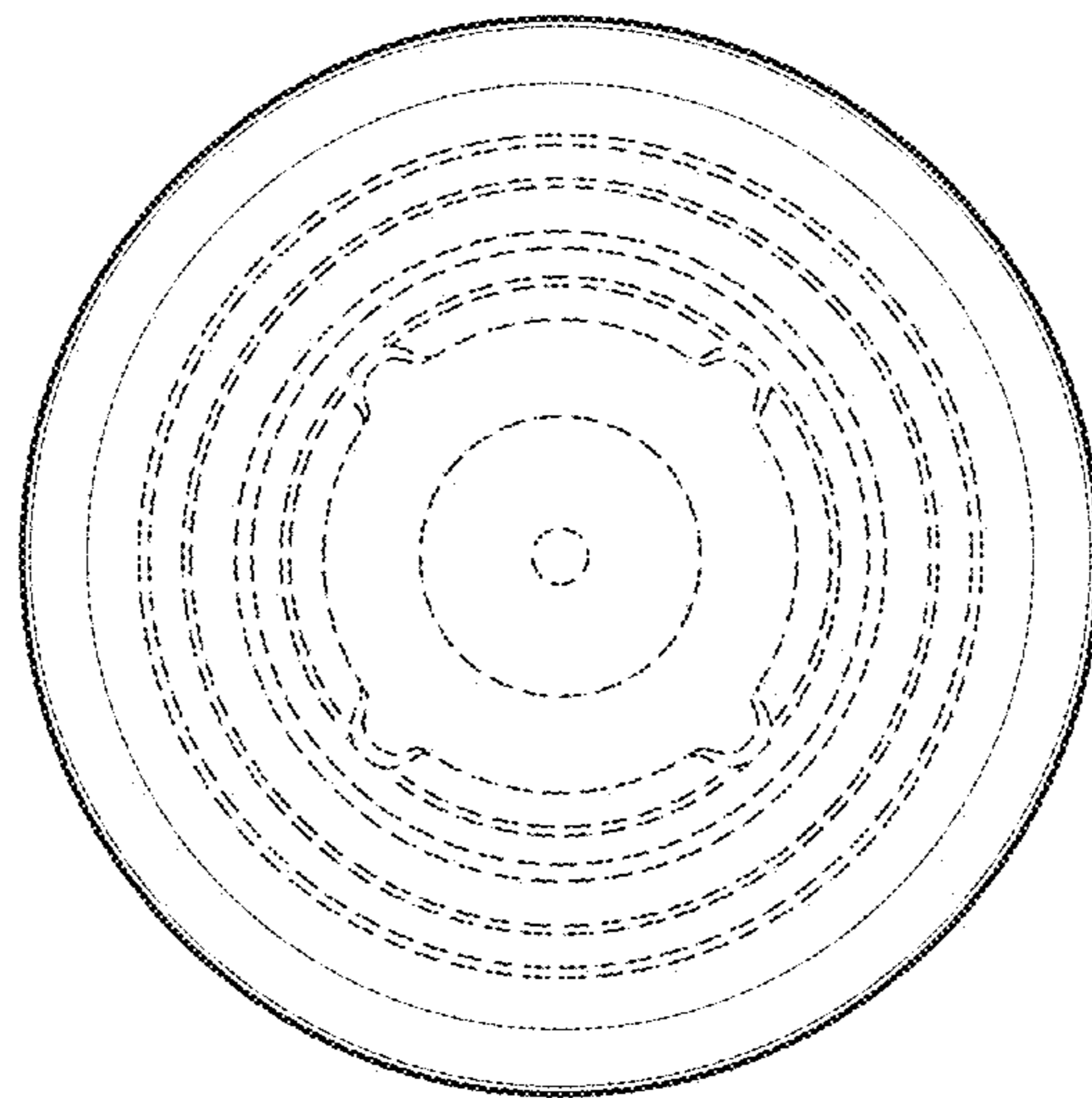


FIG. 2

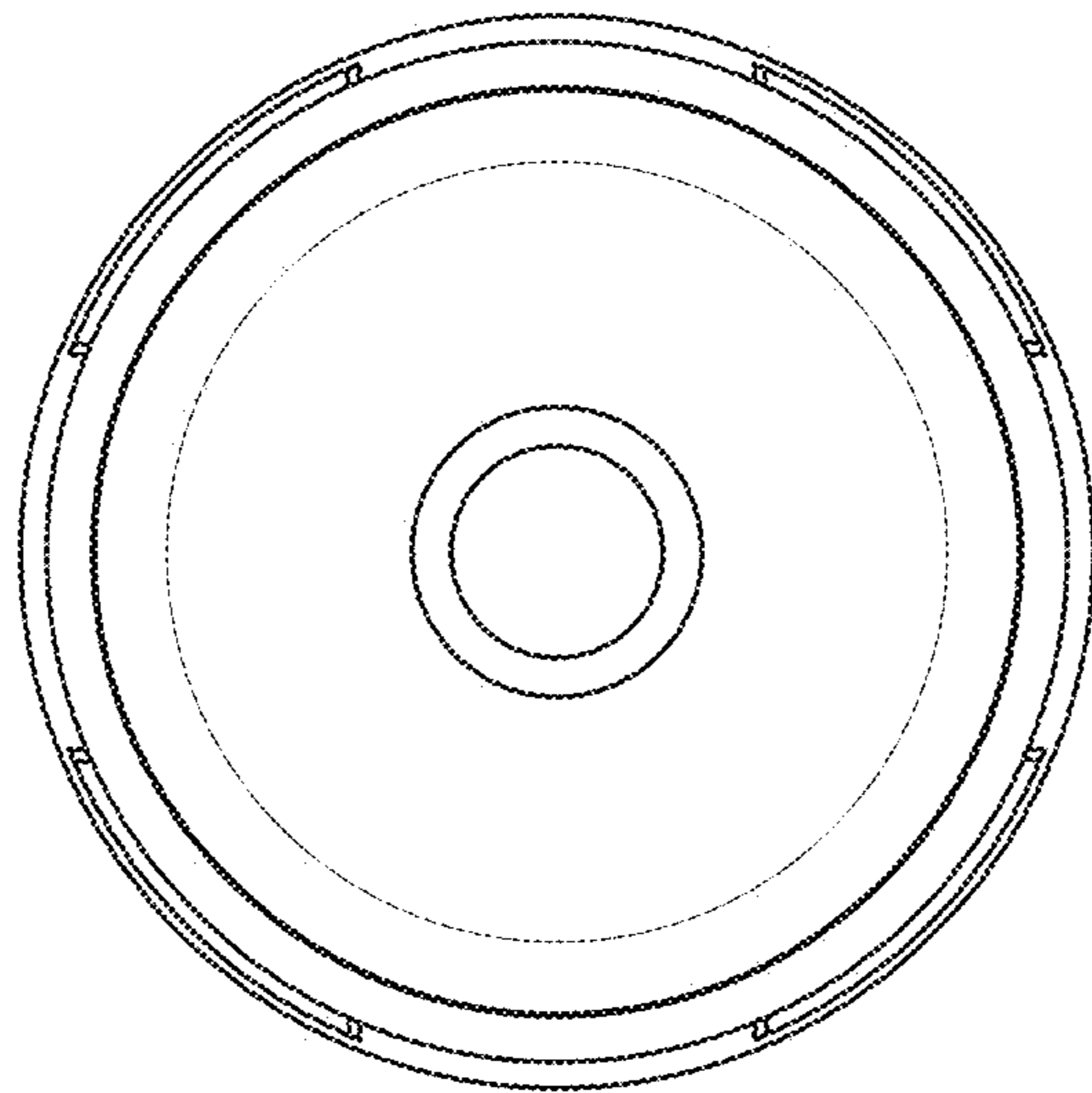


FIG. 3

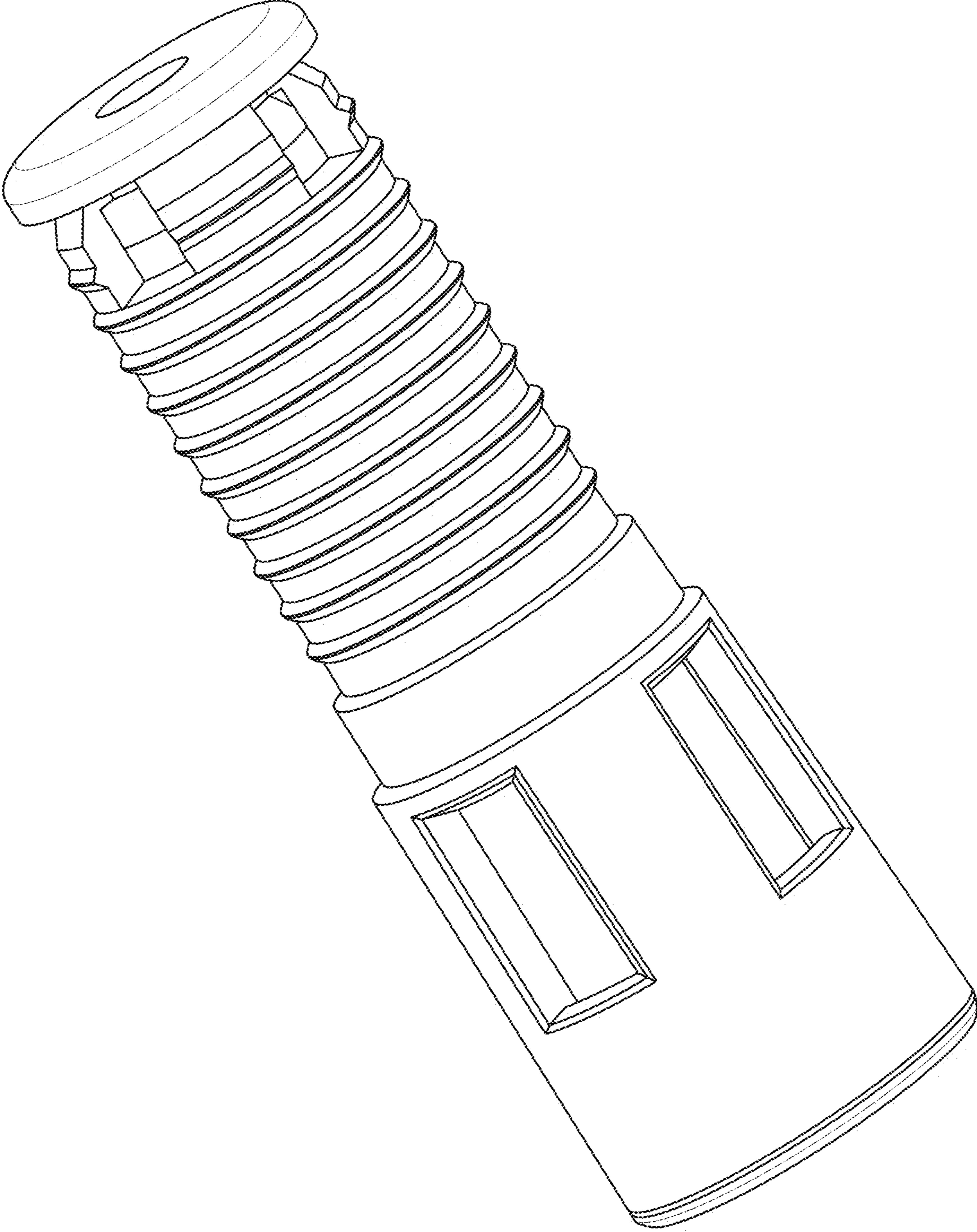


FIG. 4

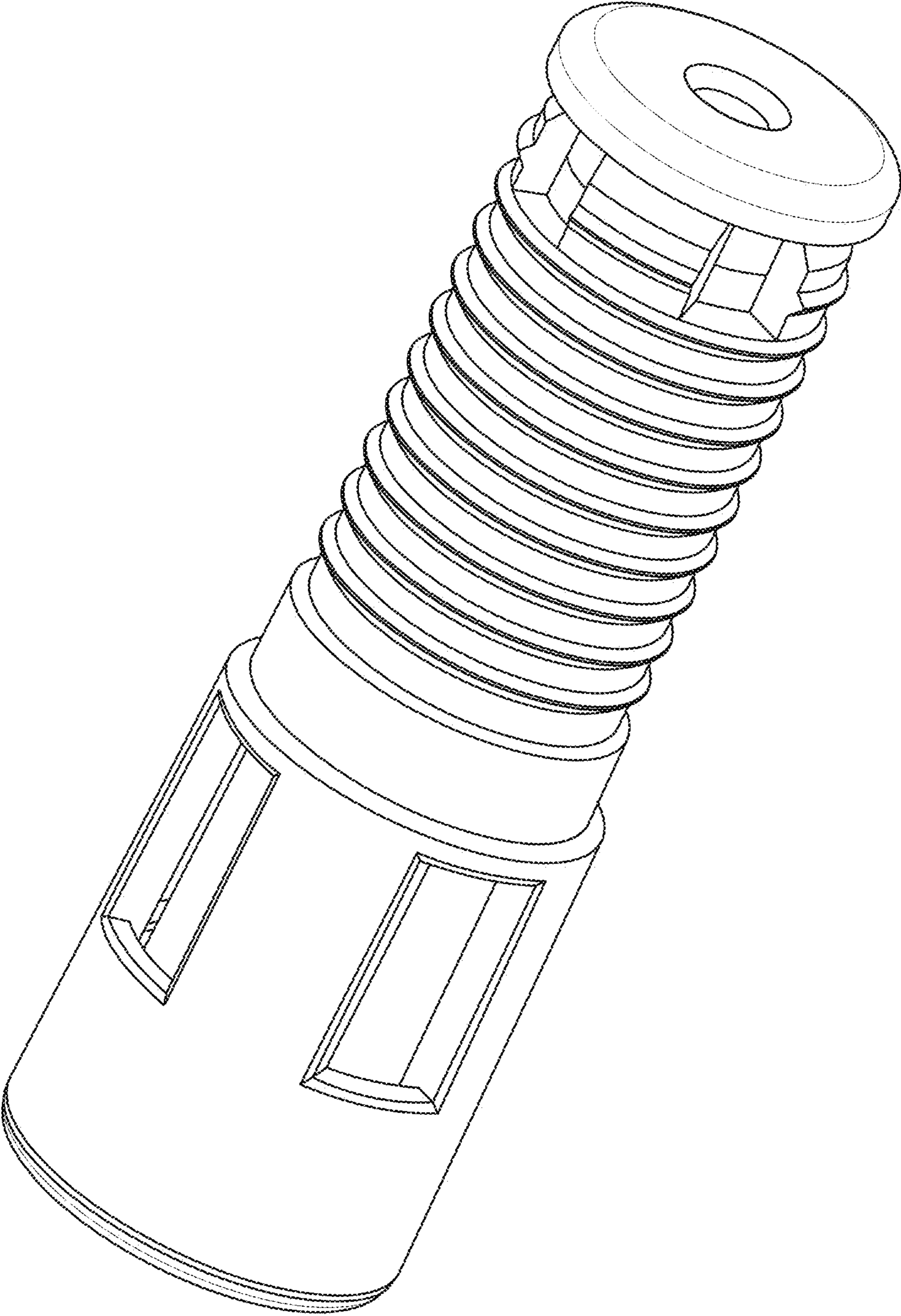


FIG. 5