



US00D954255S

(12) **United States Design Patent**
Pontecorvo

(10) **Patent No.:** **US D954,255 S**
(45) **Date of Patent:** **** Jun. 7, 2022**

(54) **DEVICE FOR ATTACHING A CATHETER TO A PATIENT**

(71) Applicant: **Servimed Industrial S.p.A.**, Rome (IT)

(72) Inventor: **Carmine Pontecorvo**, Capri (IT)

(73) Assignee: **SERVIMED INDUSTRIAL S.P.A.**,
Rome (IT)

(**) Term: **15 Years**

(21) Appl. No.: **29/754,039**

(22) Filed: **Oct. 6, 2020**

(30) **Foreign Application Priority Data**

Apr. 7, 2020 (EM) 007795828

(51) **LOC (13) Cl.** **24-02**

(52) **U.S. Cl.**
USPC **D24/128**

(58) **Field of Classification Search**
USPC D24/127-129, 229-231, 112; D8/349,
D8/354, 356, 372, 382-383, 394, 396;
D13/154

CPC A61M 25/02; A61M 2025/0213; A61M
2025/028; A61M 2025/0266

See application file for complete search history.

(56) **References Cited**

U.S. PATENT DOCUMENTS

- D588,498 S * 3/2009 Davidson D11/216
- D609,336 S * 2/2010 Savage D24/128
- D639,937 S * 6/2011 Gray D24/128
- D708,322 S * 7/2014 Vitaris A61M 25/02
D24/128
- D737,502 S * 8/2015 Kirkham D26/143
- D806,240 S * 12/2017 Smith D24/128

- D826,399 S * 8/2018 Smith D24/128
- 10,151,406 B2 * 12/2018 Netke B60R 16/08
- D839,719 S * 2/2019 Burrell D8/356
- D859,130 S * 9/2019 Spater D8/356
- D913,493 S * 3/2021 Smith D24/128
- 11,020,565 B2 * 6/2021 Spitler A61M 25/02
- 11,129,966 B2 * 9/2021 Anzalone A61F 15/00
- 11,224,723 B2 * 1/2022 Rosenberg A61M 25/02
- 2016/0258937 A1 * 9/2016 Ellington B01L 3/5023
- 2022/0001143 A1 * 1/2022 Pontecorvo A61M 25/02

OTHER PUBLICATIONS

StatLock Universal Plus Catheter Stabilization Device, Statlock, Allegro Medical, [Post date unknown], [Site seen Mar. 21, 2022], Seen at URL: <https://www.allegromedical.com/products/statlock-universal-plus-catheter-stabilization-device/> (Year: 2022).*

(Continued)

Primary Examiner — Natasha Vujcic

Assistant Examiner — Gilbert B Ford

(74) *Attorney, Agent, or Firm* — Lucas & Mercanti LLP

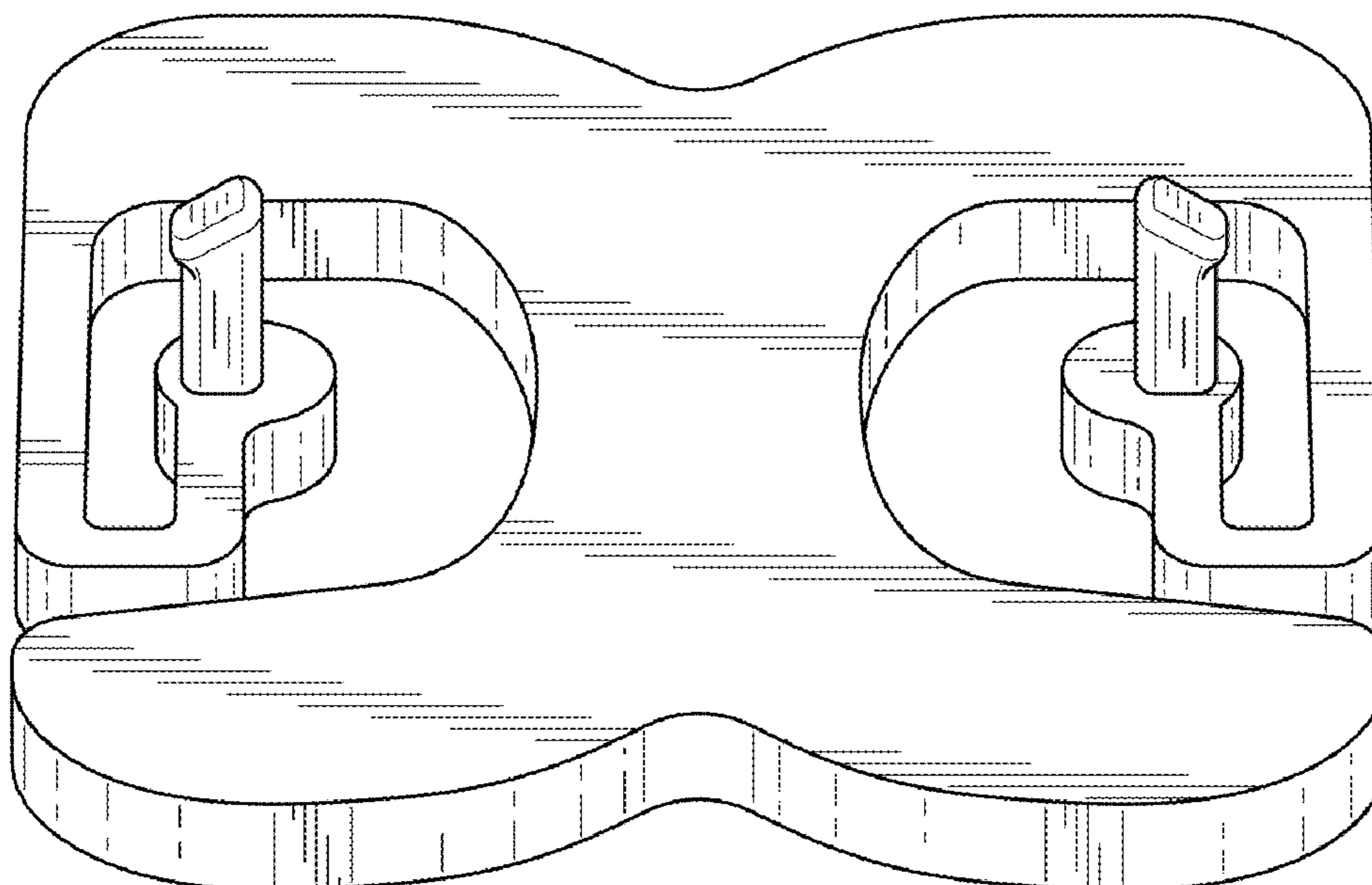
(57) **CLAIM**

The ornamental design for a device for attaching a catheter to a patient, as shown and described.

DESCRIPTION

FIG. 1 is a top, front perspective view of a device for attaching a catheter to a patient according to my design; FIG. 2 is a front perspective view thereof; FIG. 3 is a back perspective view thereof; FIG. 4 is a top view thereof; FIG. 5 is a bottom view thereof; FIG. 6 is a front side view thereof; FIG. 7 is a back side view thereof; FIG. 8 is a right side view thereof; and, FIG. 9 is a left side view thereof.

1 Claim, 4 Drawing Sheets



(56)

References Cited

OTHER PUBLICATIONS

Foley Catheter Urinary Leg Bag Legband Holder,statlock Catheter stabilization Device, PLCEO, Amazon.com, [Post date: Feb. 26, 2021], [Site seen: Mar. 21, 2022], Seen at URL: https://www.amazon.com/Catheter-Urinary-Legband-statlock-stabilization/dp/B08XLWNMZK/ref=sxin_14_pa_sp_search_thematic_sspa (Year: 2021).*

Statlock Stabilization Device FOL0101—Sold by: Pack of One, Statlock, Amazon.com, [Postdate: Aug. 27, 2019], [Site seen: Mar. 21, 2022], Seen at URL: https://www.amazon.com/Statlock-Stabilization-Device-FOL0101-Sold/dp/B07WZPRKSX/ref=sr_1_24 (Year: 2019).*

* cited by examiner

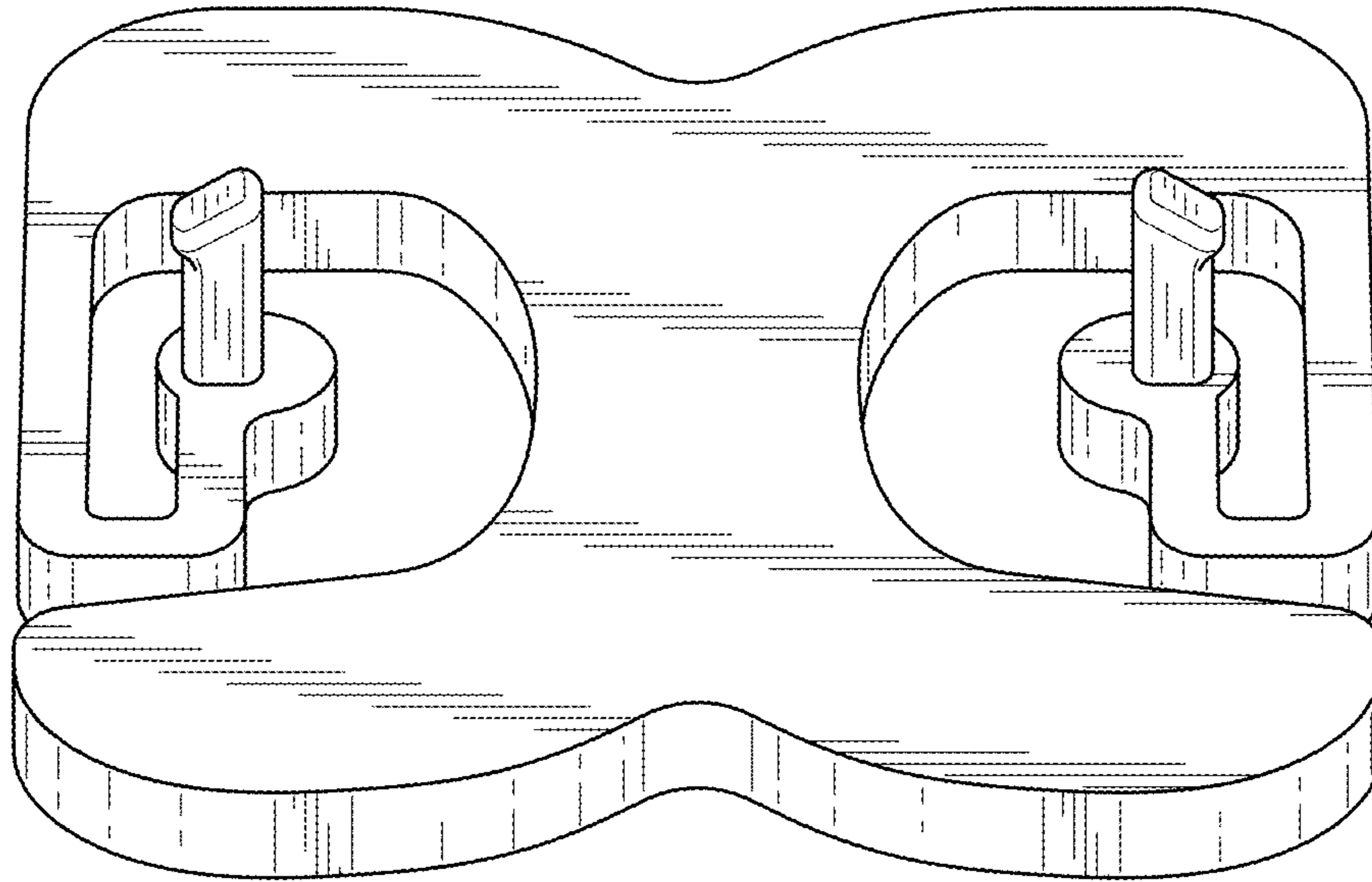


FIG. 1

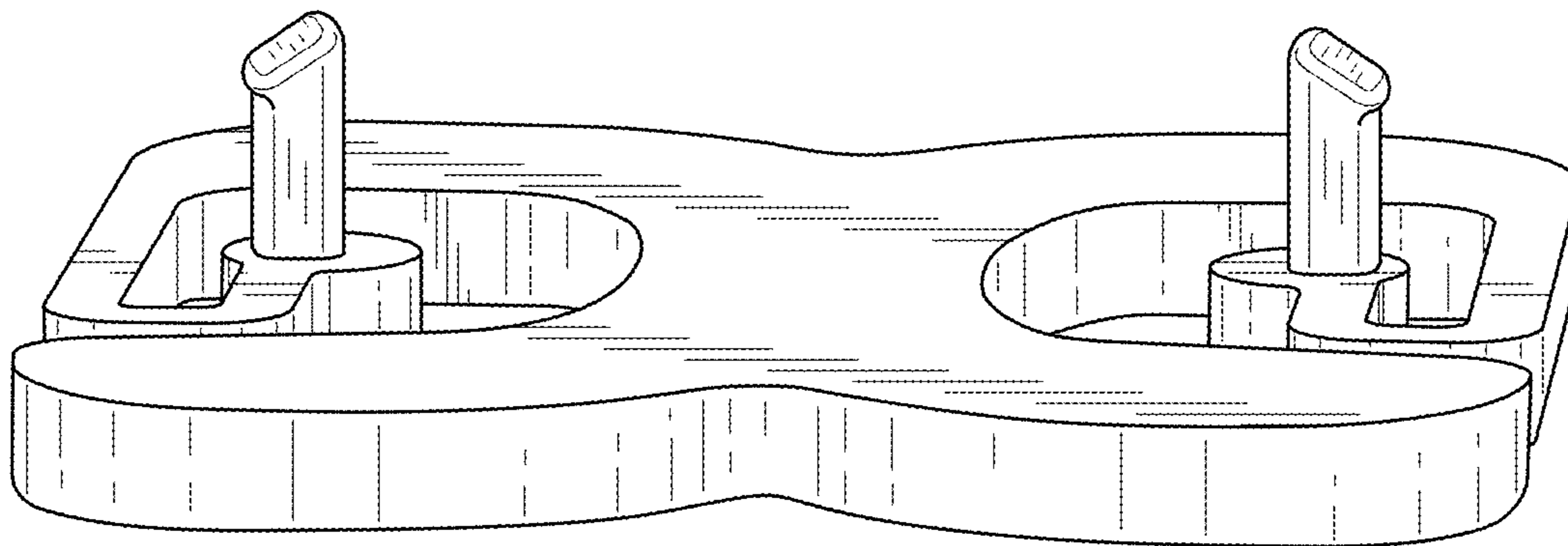


FIG. 2

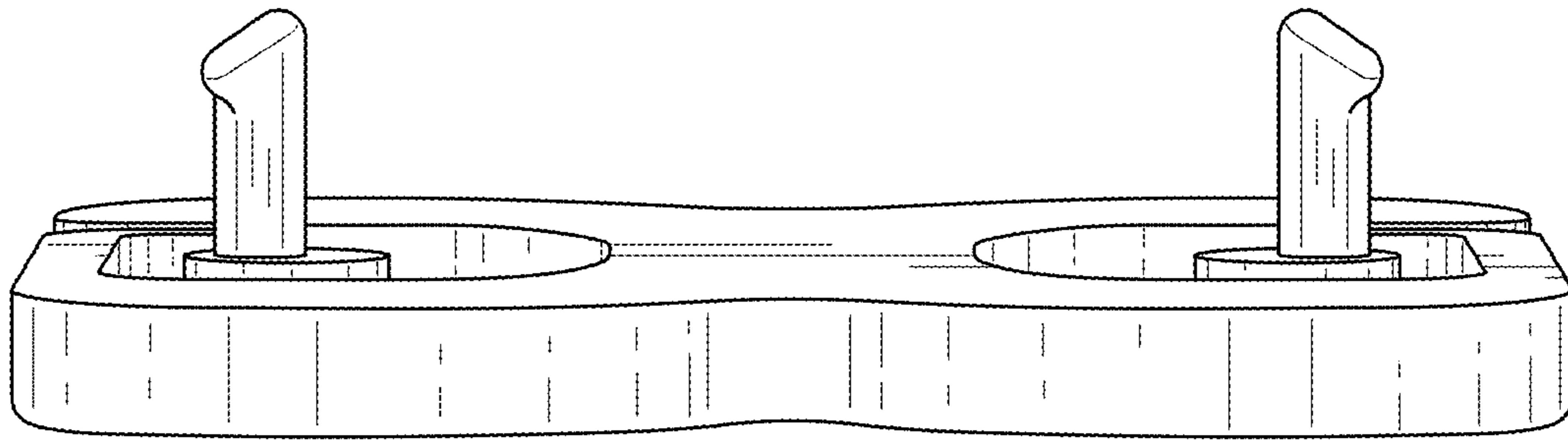


FIG. 3

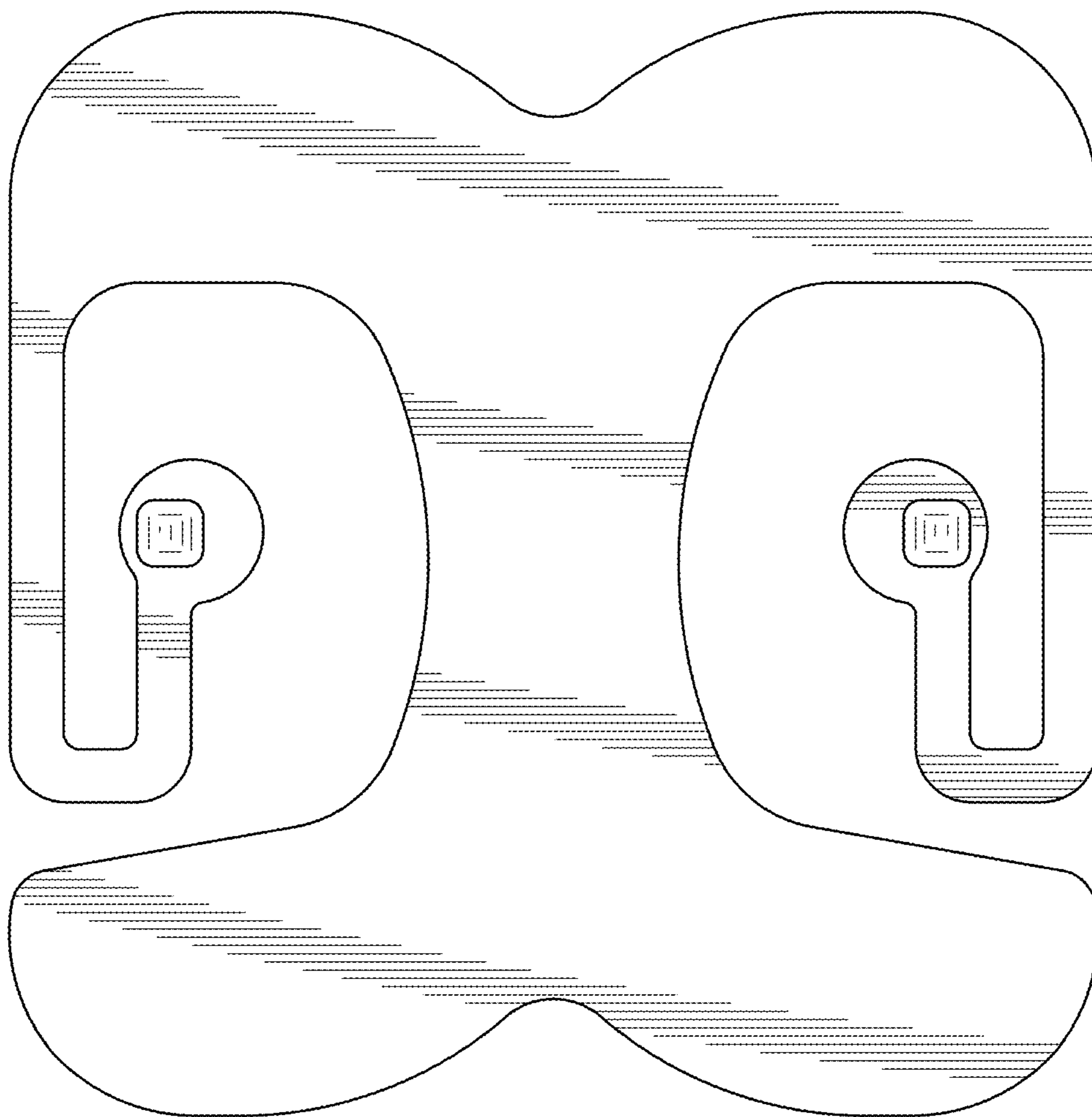


FIG. 4

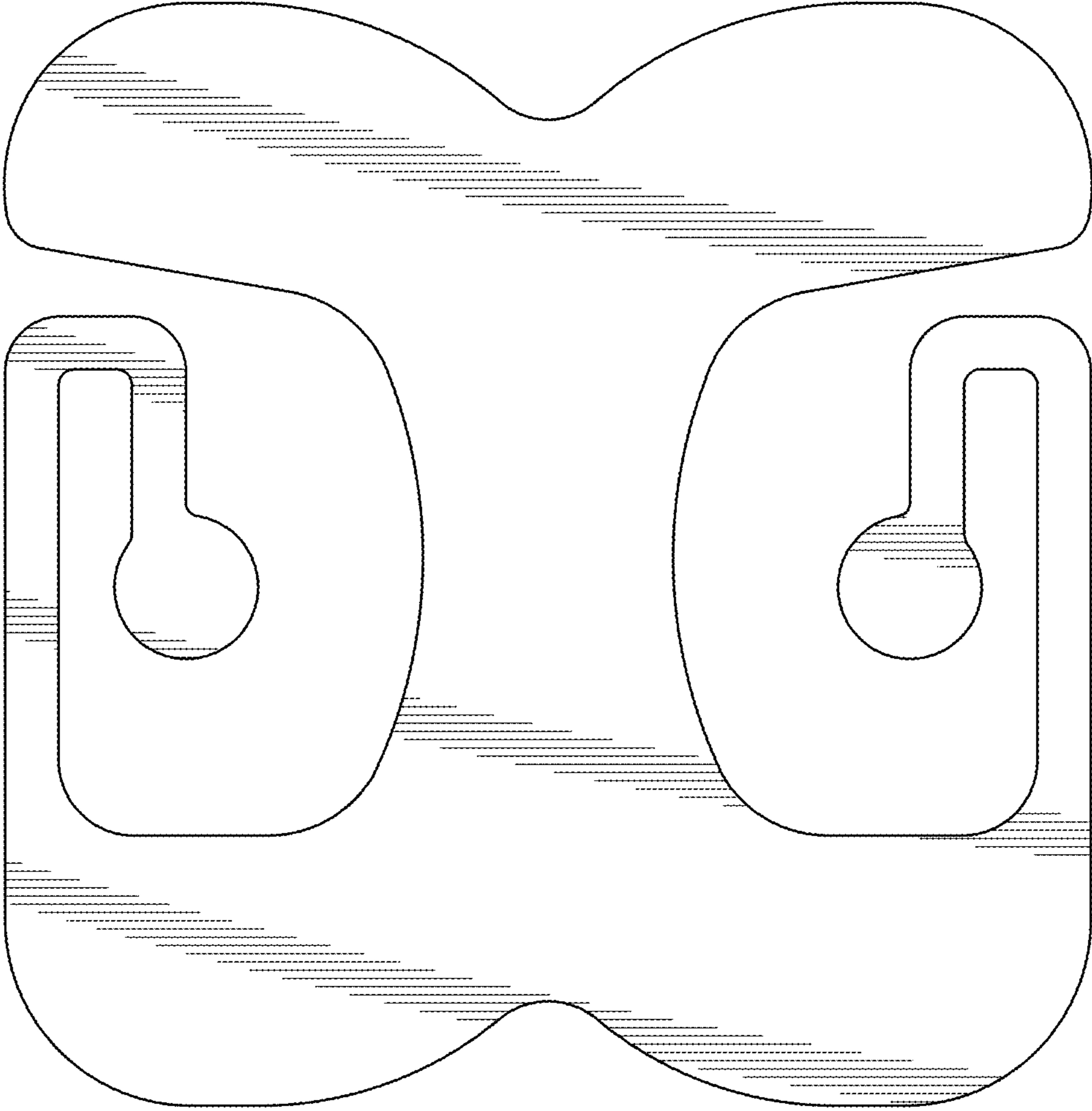


FIG. 5

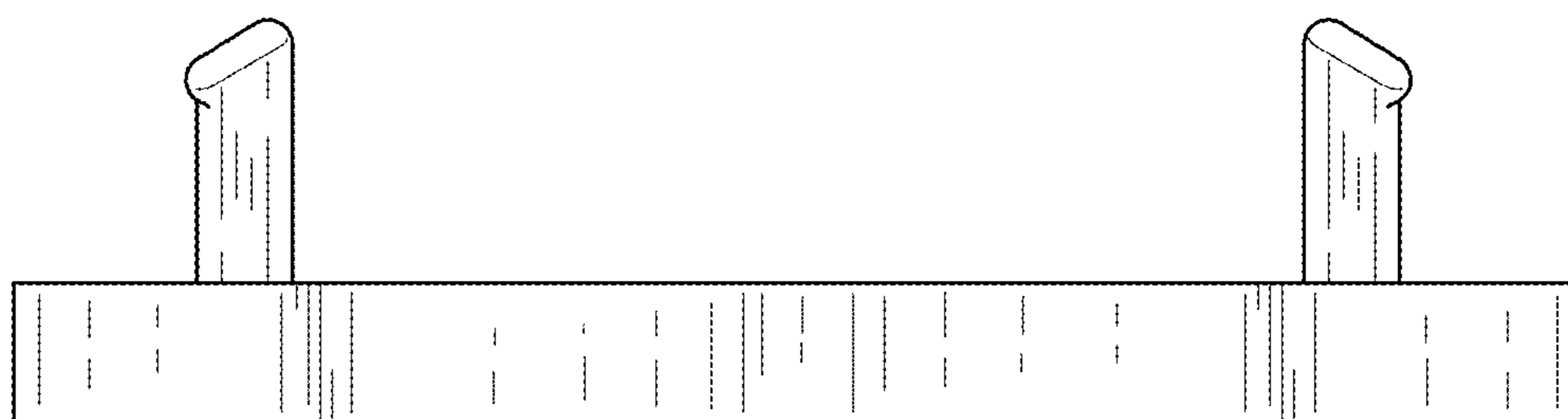


FIG. 6

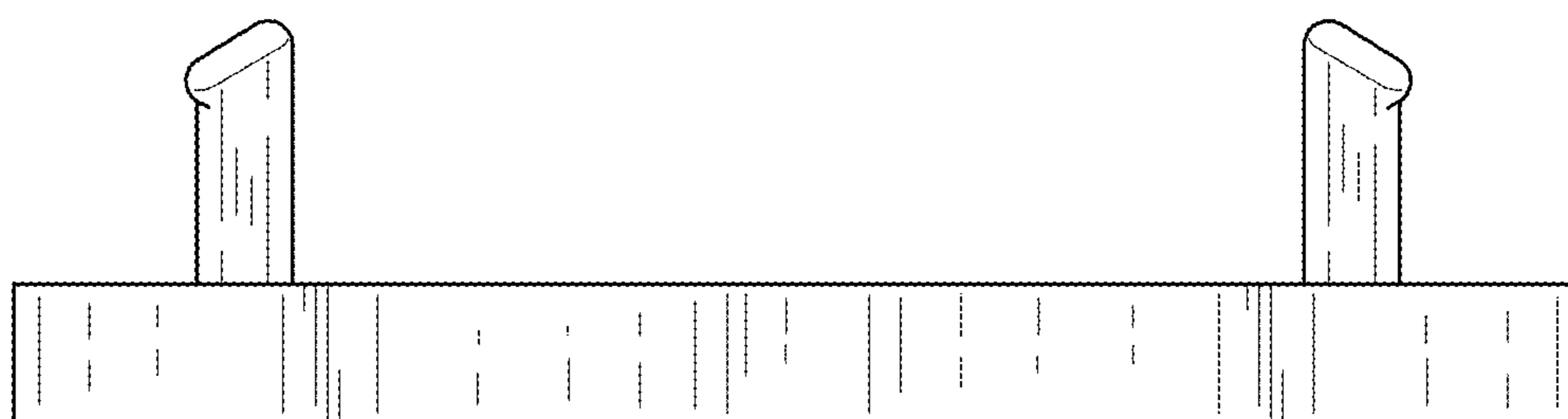


FIG. 7

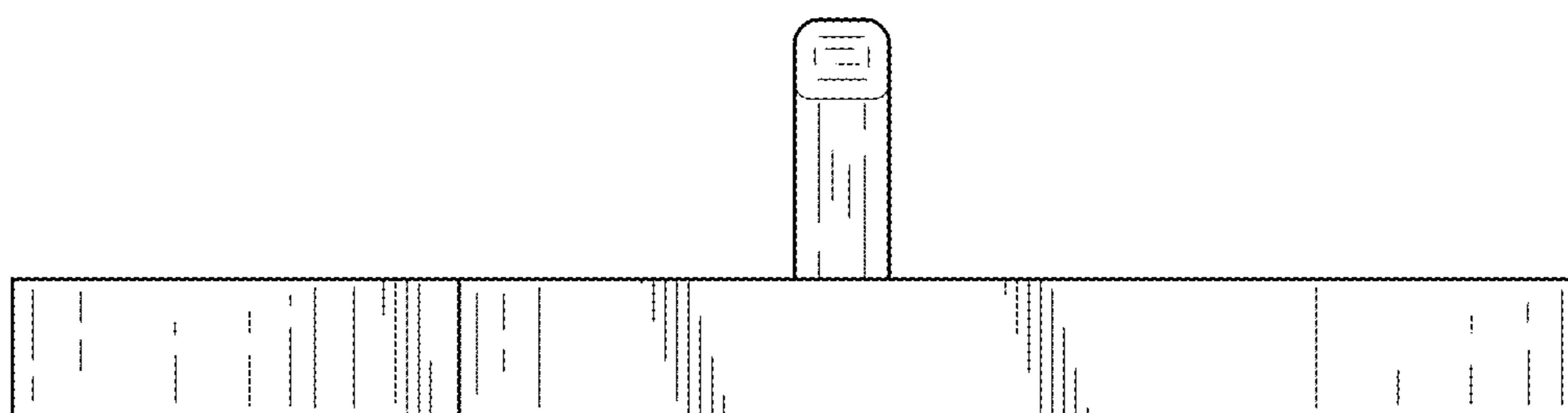


FIG. 8

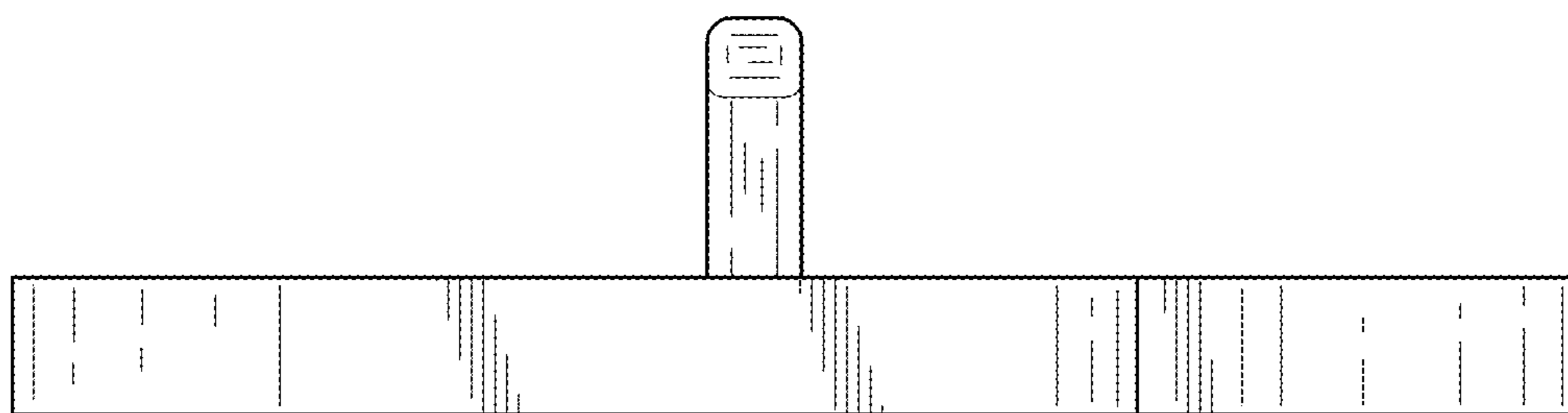


FIG. 9