



US00D954252S

(12) **United States Design Patent**  
**Ivory et al.**

(10) **Patent No.:** **US D954,252 S**  
(45) **Date of Patent:** **\*\* Jun. 7, 2022**

(54) **POWERED AIR PURIFYING RESPIRATOR**  
(71) Applicant: **RPB Safety, LLC**, Royal Oak, MI (US)  
(72) Inventors: **Garth Ivory**, Bloomfield Hills, MI (US); **Ryan S. Whitwood**, Royal Oak, MI (US); **William C. Hamill**, Troy, MI (US); **Edward S. M. Williams**, Christchurch (NZ); **Julia Bartnik-Thumm**, Christchurch (NZ); **James A. Te Aika**, Christchurch (NZ); **Alan J. Gerrard**, Christchurch (NZ)

8,821,621 B2 9/2014 Dwyer et al.  
8,858,692 B2 10/2014 Dwyer et al.  
9,119,975 B2 9/2015 Hu et al.  
9,358,409 B2 6/2016 Ausen  
9,481,424 B2 11/2016 Hagen et al.  
9,744,493 B2 8/2017 Legare et al.  
D809,129 S \* 1/2018 Yang ..... D24/110  
D809,130 S \* 1/2018 Yang ..... D24/110  
D810,274 S \* 2/2018 Yang ..... D24/110  
9,950,197 B2 4/2018 Volmer et al.

(Continued)

(73) Assignee: **RPB SAFETY, LLC**, Royal Oak, MI (US)

Powered Air Purifying Respirators, posted at rpbsafety.com, earliest date posted Apr. 12, 2021, [online], acquired on Jan. 12, 2022, Available on internet. url:https://www.rpbsafety.com/industrial/papr (Year: 2021).\*

(\*\*) Term: **15 Years**

(21) Appl. No.: **29/710,646**

Primary Examiner — Sheryl Lane  
Assistant Examiner — Aula Soroush

(22) Filed: **Oct. 24, 2019**

(74) Attorney, Agent, or Firm — William H. Honaker;  
Dickinson Wright PLLC

(51) **LOC (13) Cl.** ..... **29-02**

(52) **U.S. Cl.**  
USPC ..... **D24/110**

(58) **Field of Classification Search**  
USPC ..... D24/108, 110–115, 117, 121, 127, 162,  
D24/164, 185, 107, 169, 186, 177;  
D9/724, 529  
CPC ..... A62B 21/00; A62B 7/00; A62B 5/4809;  
A62B 5/4818; A62B 5/4806; A62B  
5/4815

See application file for complete search history.

(56) **References Cited**

**U.S. PATENT DOCUMENTS**

D449,099 S \* 10/2001 Juhlin ..... D23/355  
6,837,239 B2 1/2005 Beizndtsson et al.  
7,819,120 B2 10/2010 Taylor et al.  
8,607,784 B2 12/2013 Tilley et al.  
8,667,959 B2 3/2014 Tilley et al.  
D710,493 S \* 8/2014 Wu ..... D24/110  
D710,494 S \* 8/2014 Wu ..... D24/110

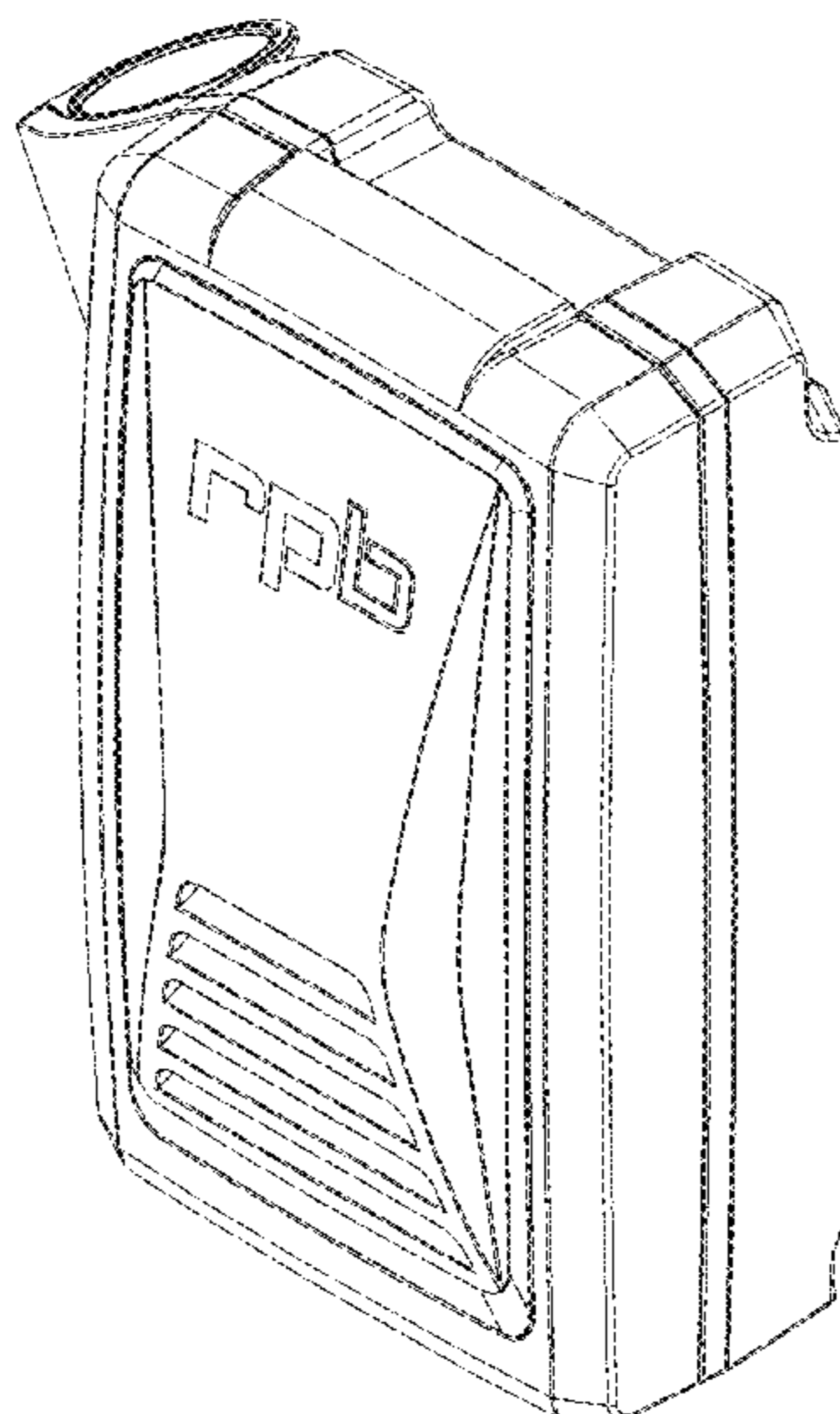
(57) **CLAIM**

The ornamental design for a powered air purifying respirator, as shown and described herein.

**DESCRIPTION**

FIG. 1 is a perspective view of the powered air purifying respirator of the present invention.  
FIG. 2 is a front view thereof.  
FIG. 3 is a back view thereof.  
FIG. 4 is a left side elevation view thereof.  
FIG. 5 is a right side elevation view thereof.  
FIG. 6 is a top plan view thereof; and,  
FIG. 7 is a bottom plan view thereof.  
The broken lines shown in the drawings are included for the purpose of illustrating environmental structure and form no part of the claimed design.

**1 Claim, 7 Drawing Sheets**



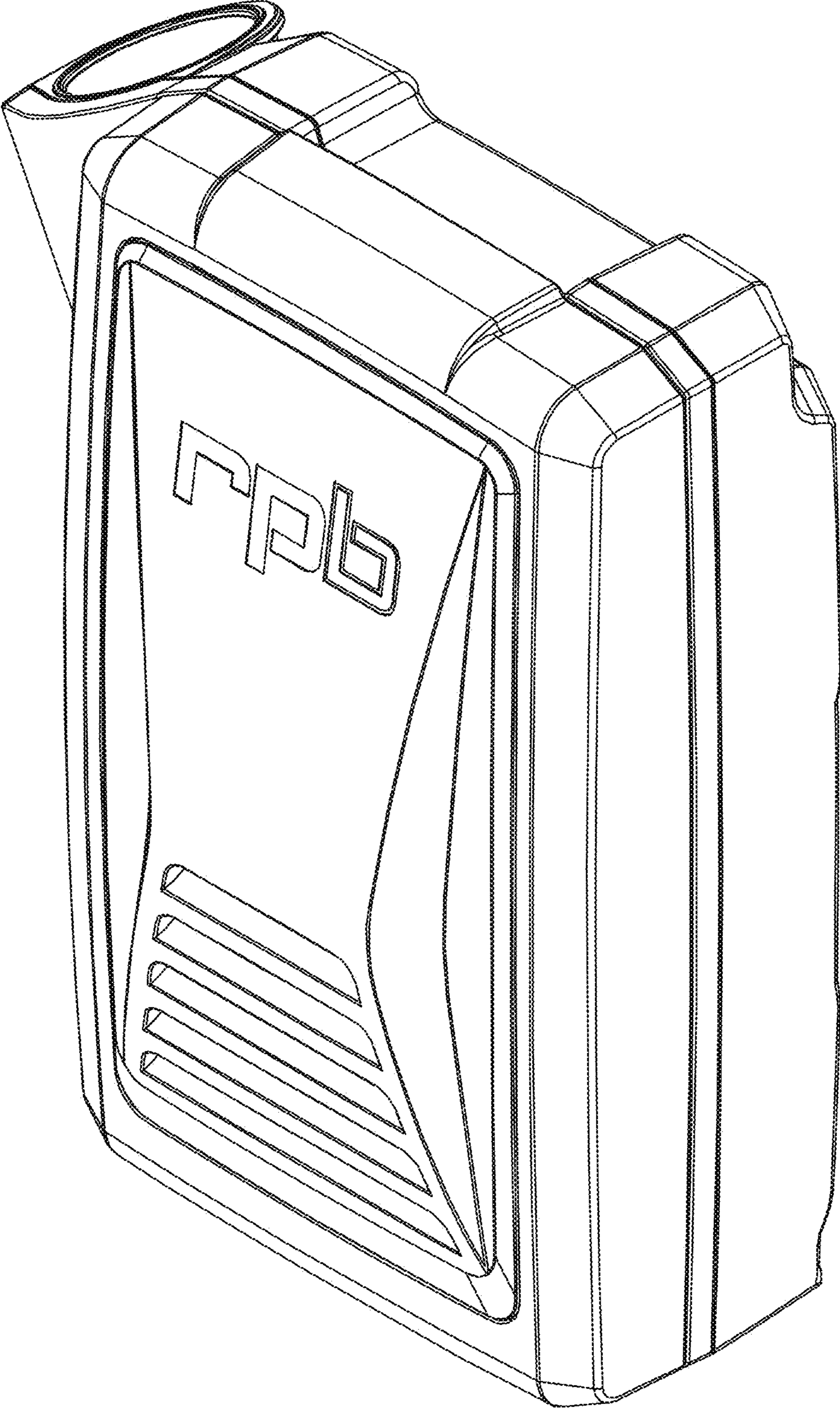
(56)

**References Cited**

U.S. PATENT DOCUMENTS

10,272,273 B2 4/2019 Townsend et al.  
D859,637 S \* 9/2019 Thompson ..... D24/110  
10,406,387 B2 9/2019 Krepel et al.  
D883,471 S \* 5/2020 Prevot ..... D24/110  
D884,149 S \* 5/2020 Prevot ..... D24/110  
2010/0147301 A1\* 6/2010 Kwok ..... A61M 16/0066  
128/204.21  
2015/0360060 A1 12/2015 Dehmke et al.  
2016/0001103 A1\* 1/2016 Huh ..... A62B 9/006  
128/202.22  
2017/0254356 A1 9/2017 Brose et al.  
2018/0337373 A1\* 11/2018 Wu ..... A62B 7/10

\* cited by examiner



**FIG. 1**



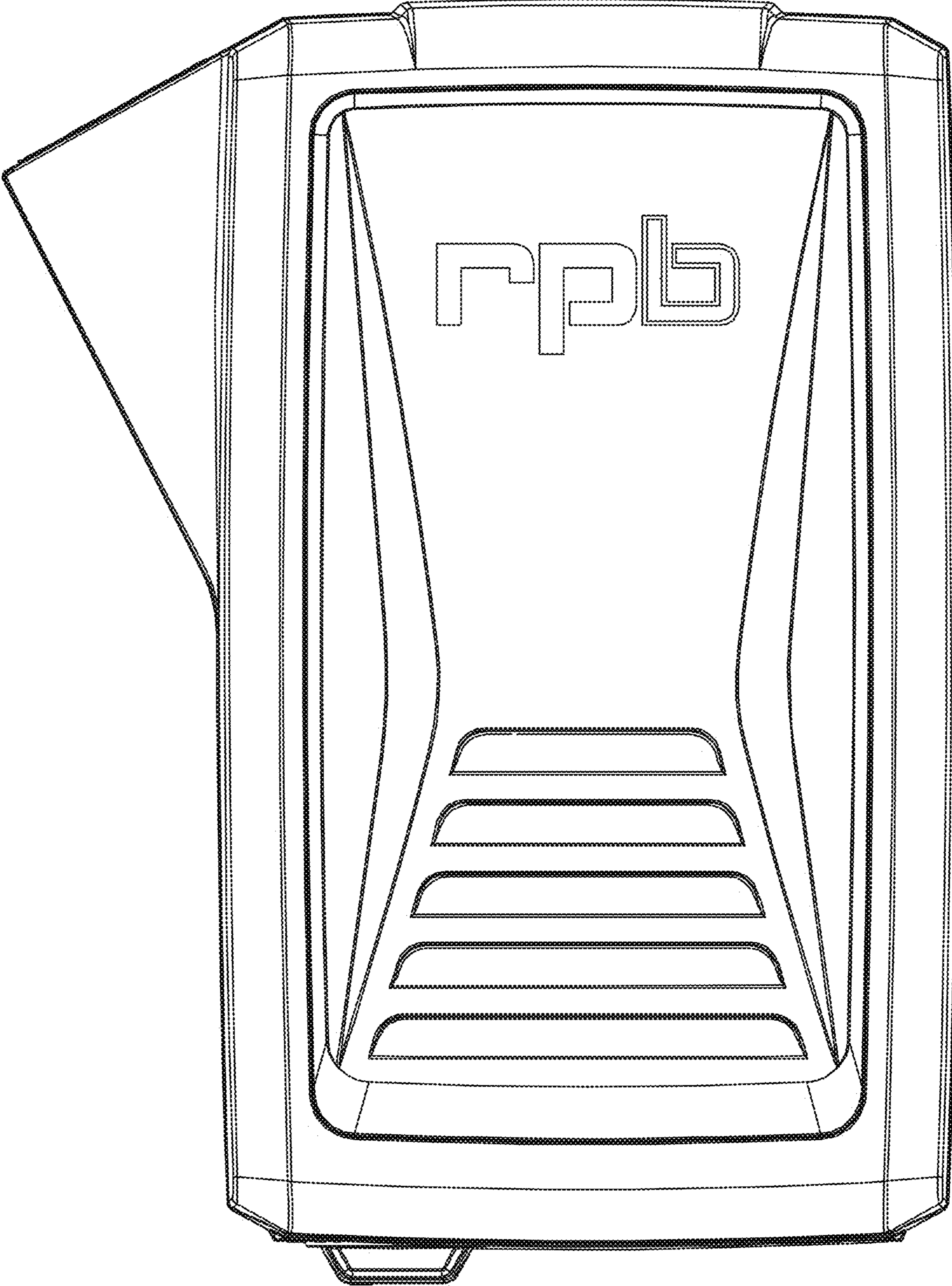


FIG. 2

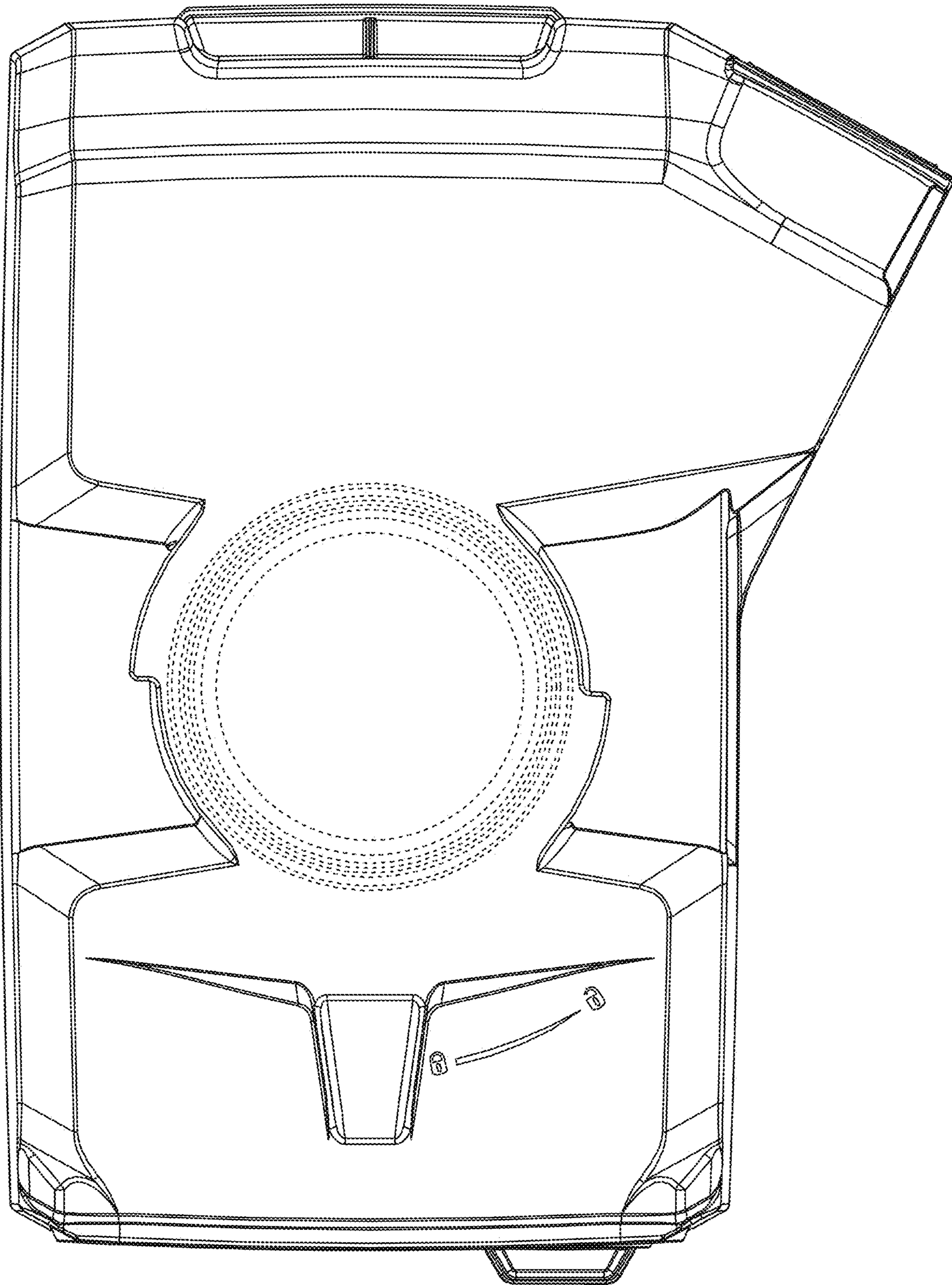


FIG. 3

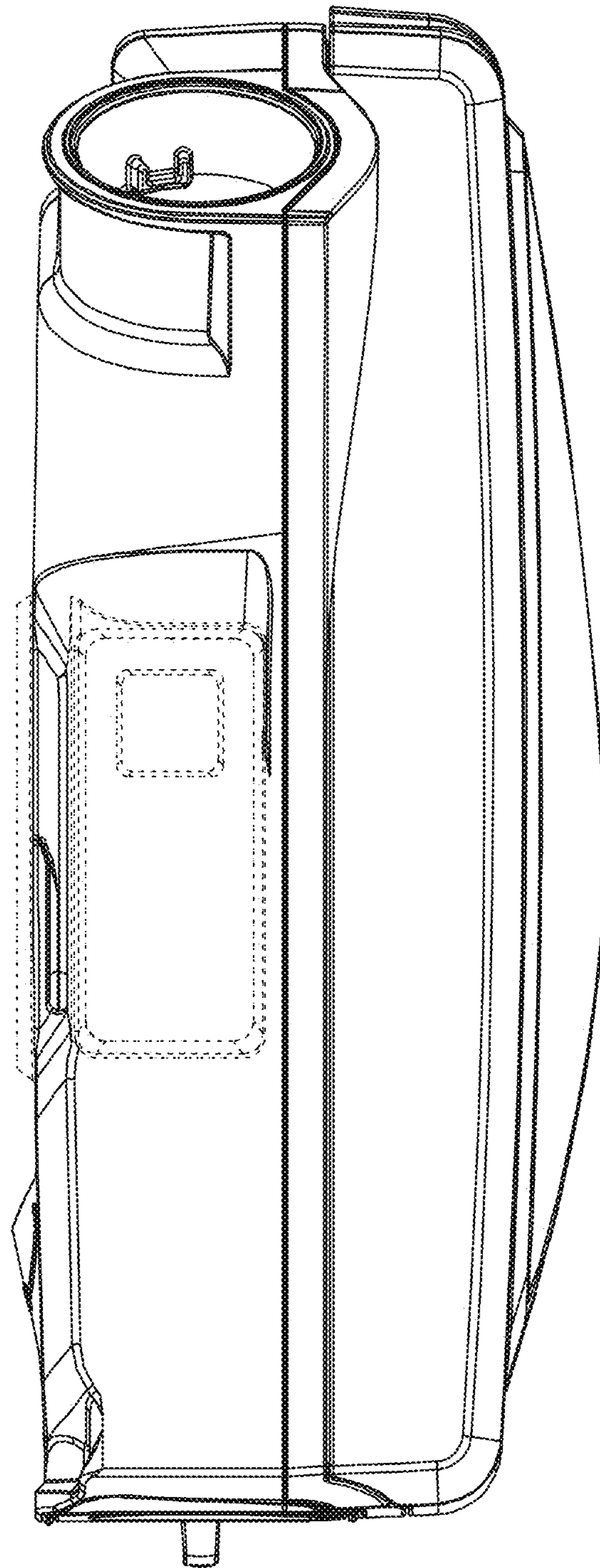


FIG. 4



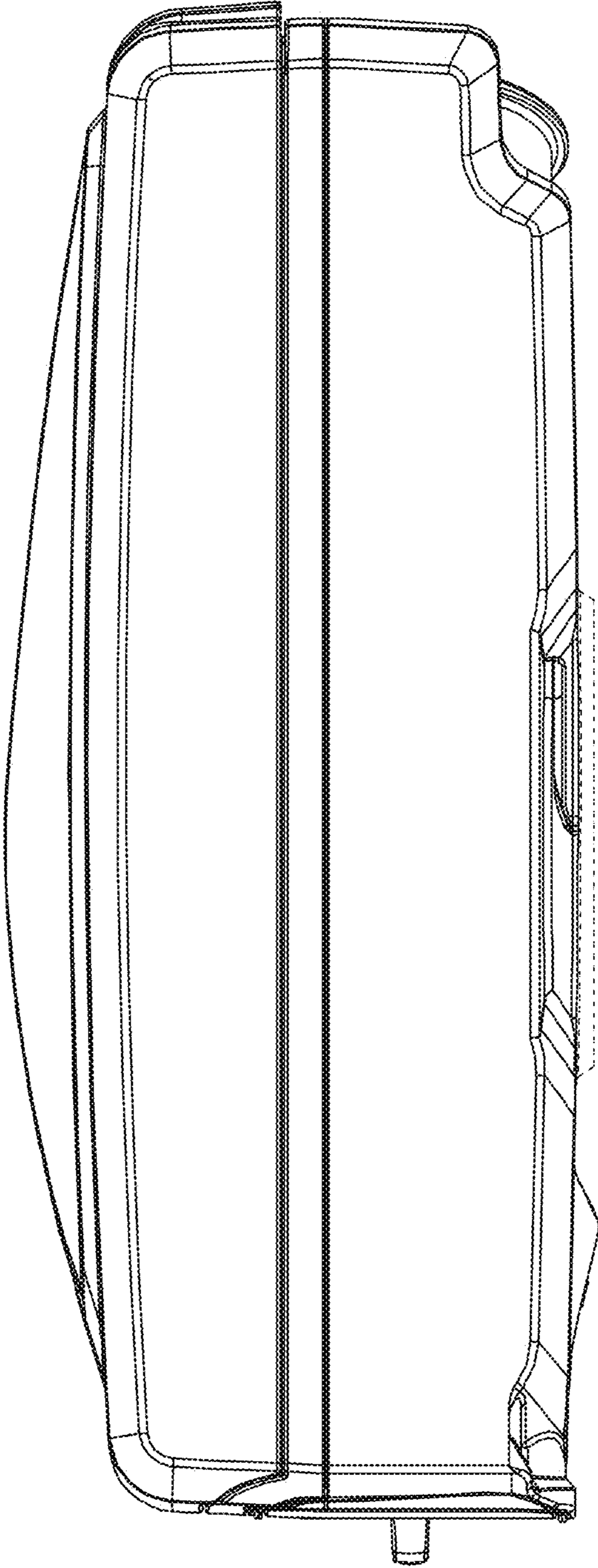


FIG. 5

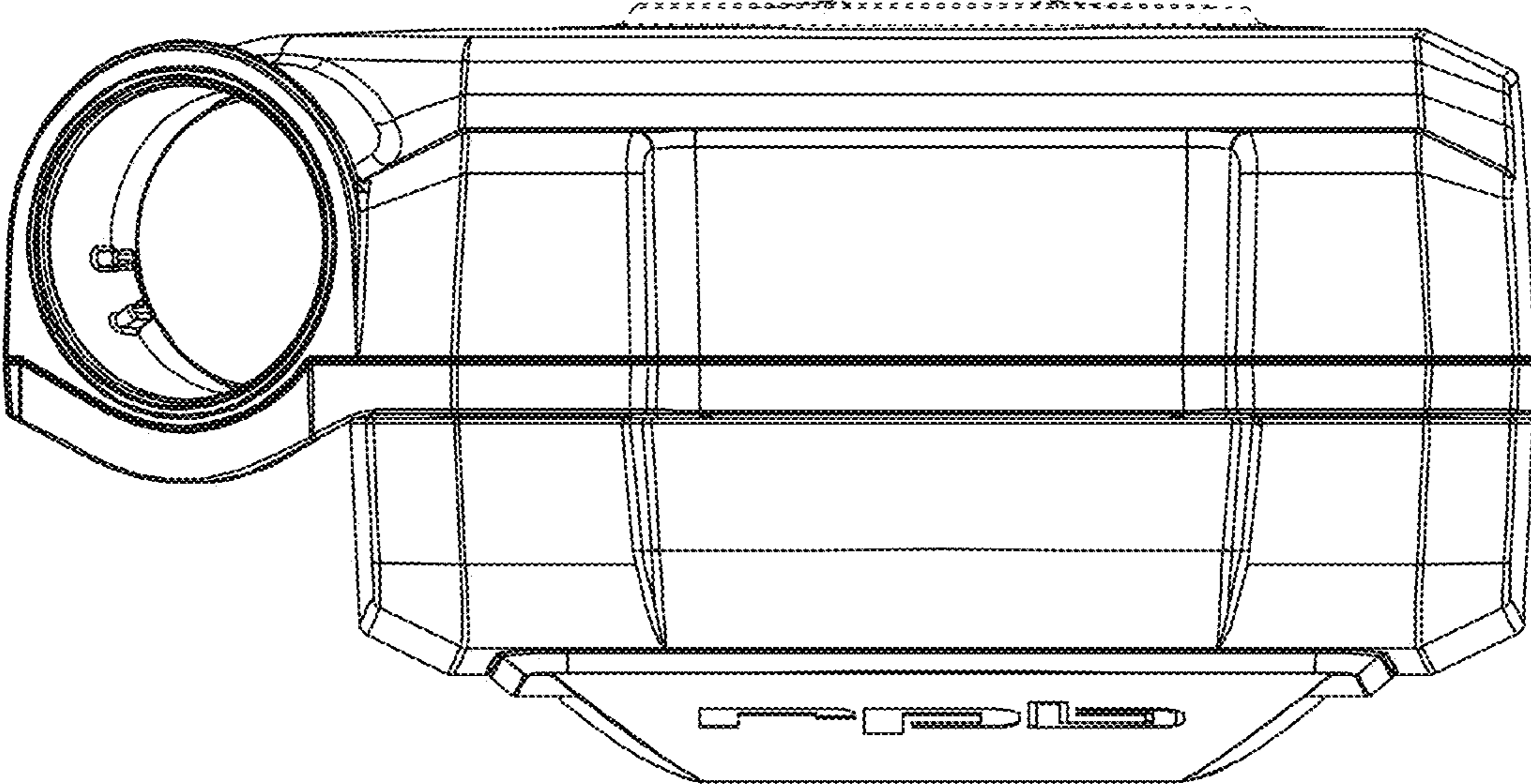


FIG. 6



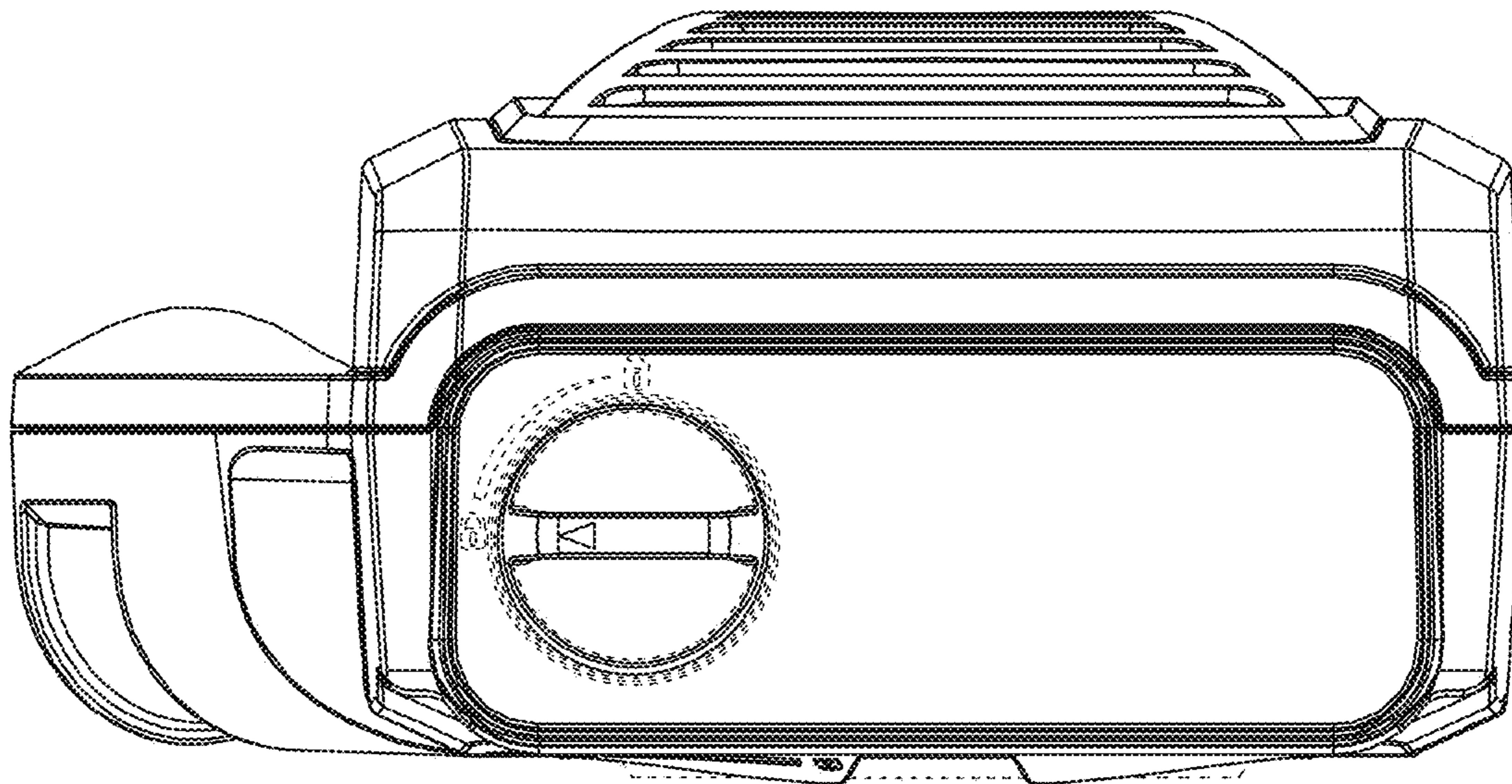


FIG. 7