



US00D954251S

(12) **United States Design Patent**  
**Aoki et al.**

(10) **Patent No.:** **US D954,251 S**  
(45) **Date of Patent:** **\*\* Jun. 7, 2022**

(54) **COLLECTION CONTAINER FOR BREAST MILK**

(71) Applicant: **Lansinoh Laboratories, Inc.**,  
Alexandria (VA)

(72) Inventors: **Kohei Aoki**, Bangkok (TH); **Binmali Mariya**, Bangkok (TH); **Tom McCausland**, Leeds (GB); **Calicia Ang**, Singapore (SG)

(73) Assignee: **Lansinoh Laboratories, Inc.**,  
Alexandria, VA (US)

(\*\*) Term: **15 Years**

(21) Appl. No.: **29/711,326**

(22) Filed: **Oct. 30, 2019**

(30) **Foreign Application Priority Data**

Apr. 30, 2019 (EM) ..... 006398822

(51) **LOC (13) Cl.** ..... **24-02**

(52) **U.S. Cl.**  
USPC ..... **D24/109**

(58) **Field of Classification Search**  
USPC ..... D24/107-109, 111, 113, 127, 185, 193,  
D24/197; D9/500, 549; D7/700  
CPC ..... A61M 1/00; A61M 1/06; A61M 1/062;  
A61M 1/064; A61M 1/80; A61M 1/82;  
A61M 1/0001; A61M 2205/502; A61M  
2205/8206; A61M 2205/07; A61M  
2205/505; A61M 2205/071; A61M  
2205/075; A61M 2205/123; A61J 9/00;  
A61J 13/00; A61J 2200/50; A61J 2200/76  
See application file for complete search history.

(56) **References Cited**

**U.S. PATENT DOCUMENTS**

D699,110 S \* 2/2014 Cox ..... D9/500  
D808,006 S \* 1/2018 Zhang ..... D24/109

D810,925 S \* 2/2018 Zhang ..... D24/109  
10,183,102 B2 \* 1/2019 Kim ..... A61M 1/064  
D871,566 S \* 12/2019 Zhang ..... D24/109  
D898,185 S \* 10/2020 Gong ..... D24/109  
D903,854 S \* 12/2020 Huang ..... D24/109  
D909,046 S \* 2/2021 Chua ..... D3/203.1

(Continued)

**OTHER PUBLICATIONS**

Haakaa Silicone Breast Pump, posted at thenaturalbabyco.co.nz, earliest date reviewed on Apr. 19, 2018, [online], acquired on Jan. 29, 2021. Available from Internet, <URL:https://www.thenaturalbabyco.com/products/haakaa-silicone-breast-pump-w-suction-base-5-oz> (Year: 2018).\*

(Continued)

*Primary Examiner* — Sheryl Lane

*Assistant Examiner* — Aula Soroush

(74) *Attorney, Agent, or Firm* — Muncy, Geissler, Olds & Lowe, P.C.

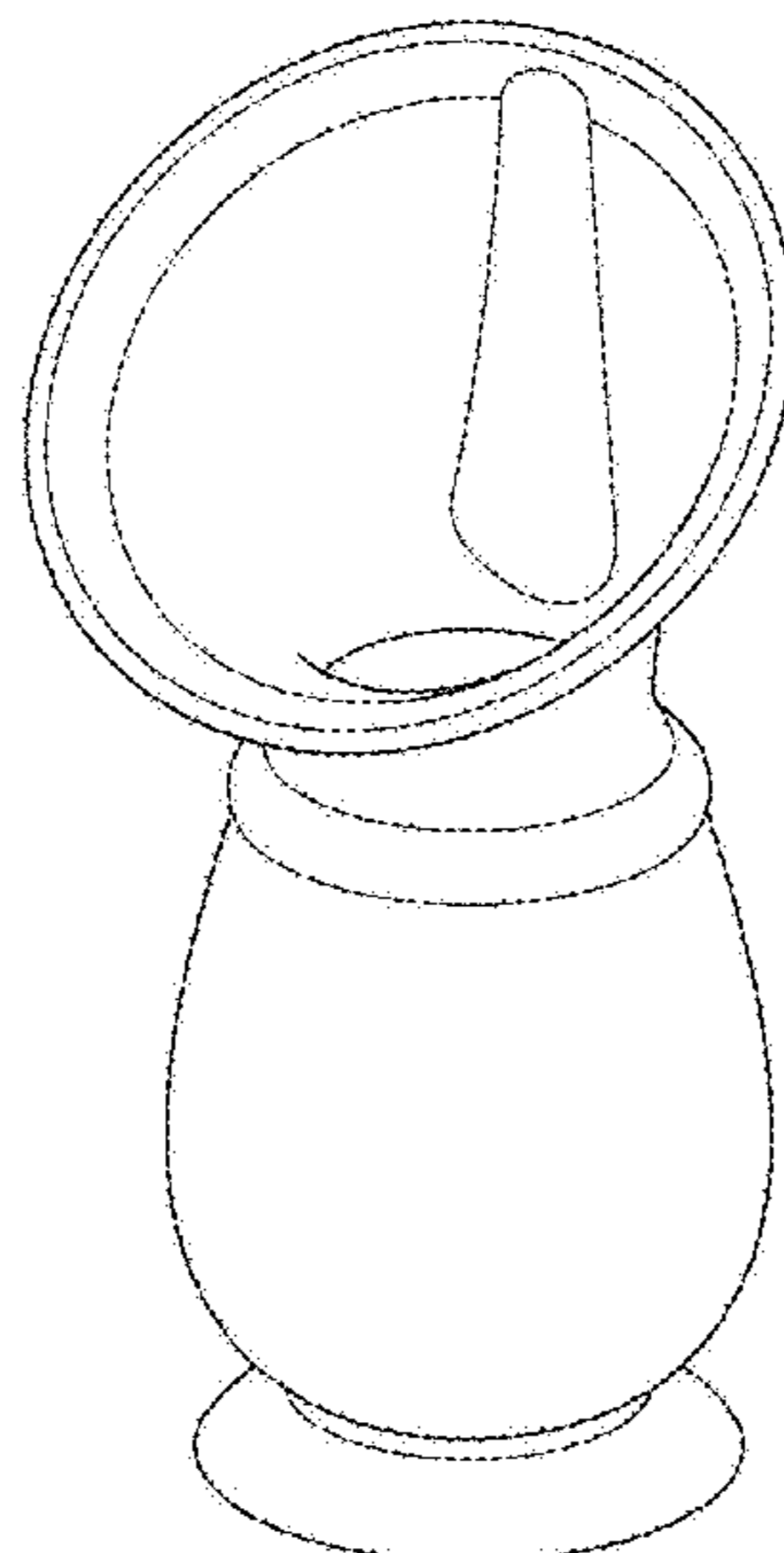
(57) **CLAIM**

The ornamental design for a collection container for breast milk, as shown and described.

**DESCRIPTION**

FIG. 1 is a top, front, left perspective view of the collection container for breast milk showing our new design; FIG. 2 is a bottom, rear, right perspective view thereof; FIG. 3 is a front side elevational view thereof, the rear side elevational view being a mirror image thereof; FIG. 4 is a top plan view thereof; FIG. 5 is a bottom plan view thereof; FIG. 6 is a right side elevational view thereof; FIG. 7 is a left side elevational view thereof; and, FIG. 8 is a cross-sectional view taken along line 8-8 in FIG. 3.

**1 Claim, 8 Drawing Sheets**



(56)

**References Cited**

U.S. PATENT DOCUMENTS

2020/0086019 A1\* 3/2020 Chua ..... A61M 1/06

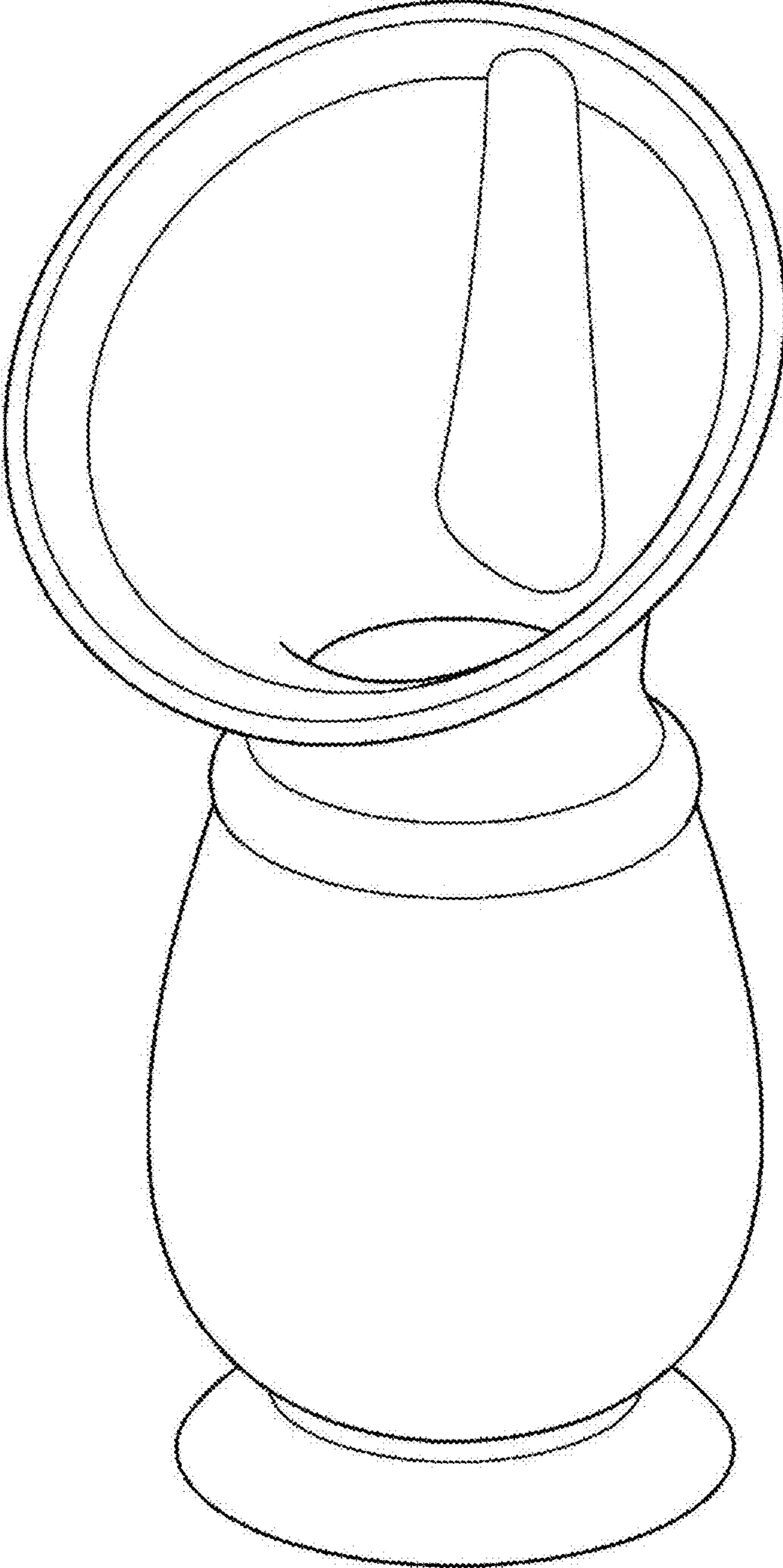
OTHER PUBLICATIONS

Lansinoh Breastmilk Collector, posted at amazon.com, earliest date reviewed on Aug. 23, 2019, [online], acquired on Jan. 29, 2021. Available from Internet, <URL:[https://www.amazon.com/Lansinoh-Breastmilk-Collector-Breastfeeding-Comfortable/dp/B07JPK5DWQ/ref=cm\\_cr\\_ar\\_p\\_d\\_product\\_top?ie=UTF8](https://www.amazon.com/Lansinoh-Breastmilk-Collector-Breastfeeding-Comfortable/dp/B07JPK5DWQ/ref=cm_cr_ar_p_d_product_top?ie=UTF8)> (Year: 2019).\*

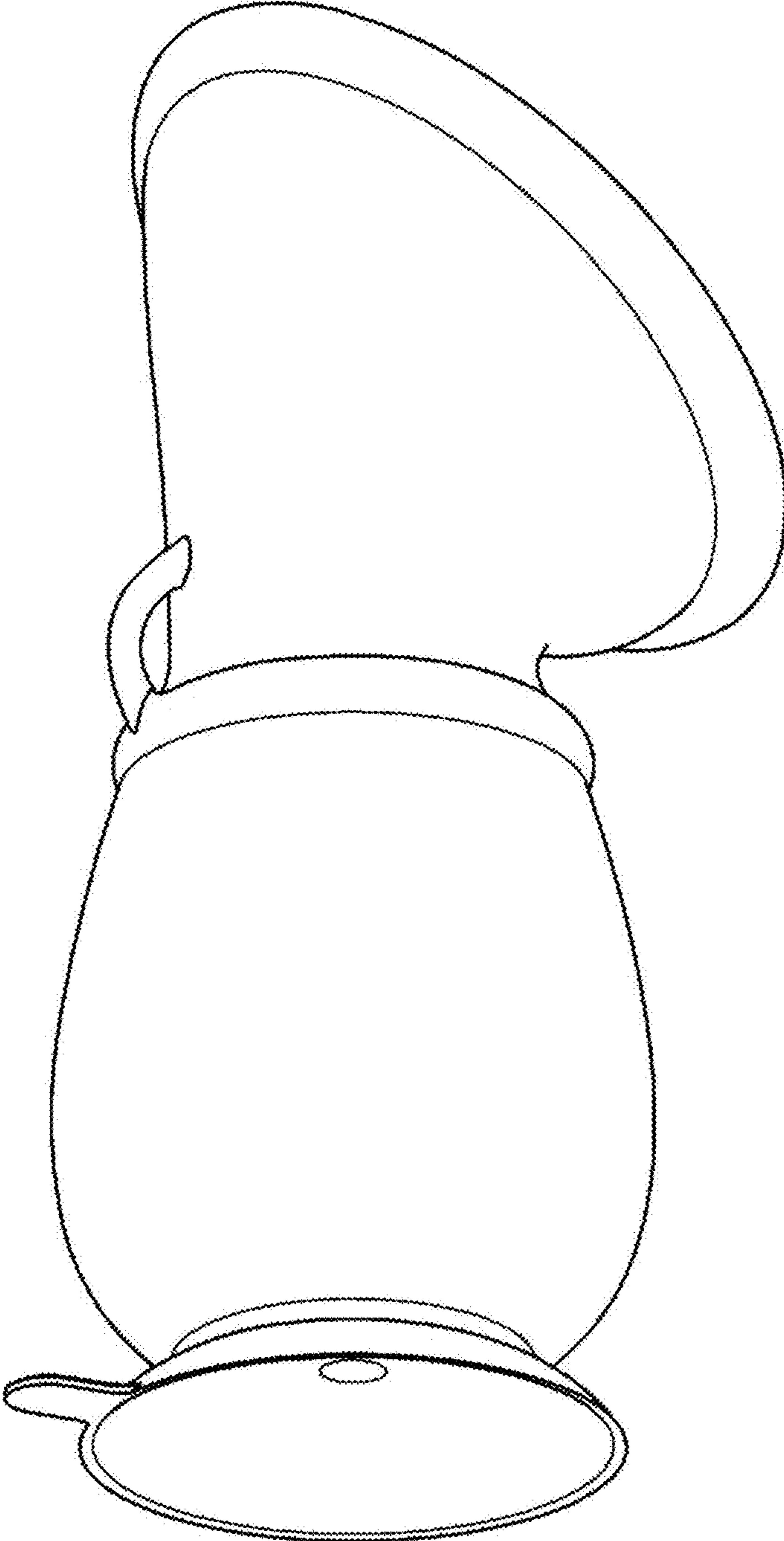
Nuby, posted at amazon.com, earliest date reviewed on Dec. 11, 2019, [online], acquired on Jan. 29, 2021. Available from Internet, <URL:[https://www.amazon.com/Nuby-Comfort-Portable-Lightweight-Silicone/dp/B07WDRC753/ref=cm\\_cr\\_ar\\_p\\_d\\_product\\_top?ie=UTF8](https://www.amazon.com/Nuby-Comfort-Portable-Lightweight-Silicone/dp/B07WDRC753/ref=cm_cr_ar_p_d_product_top?ie=UTF8)> (Year: 2019).\*

\* cited by examiner

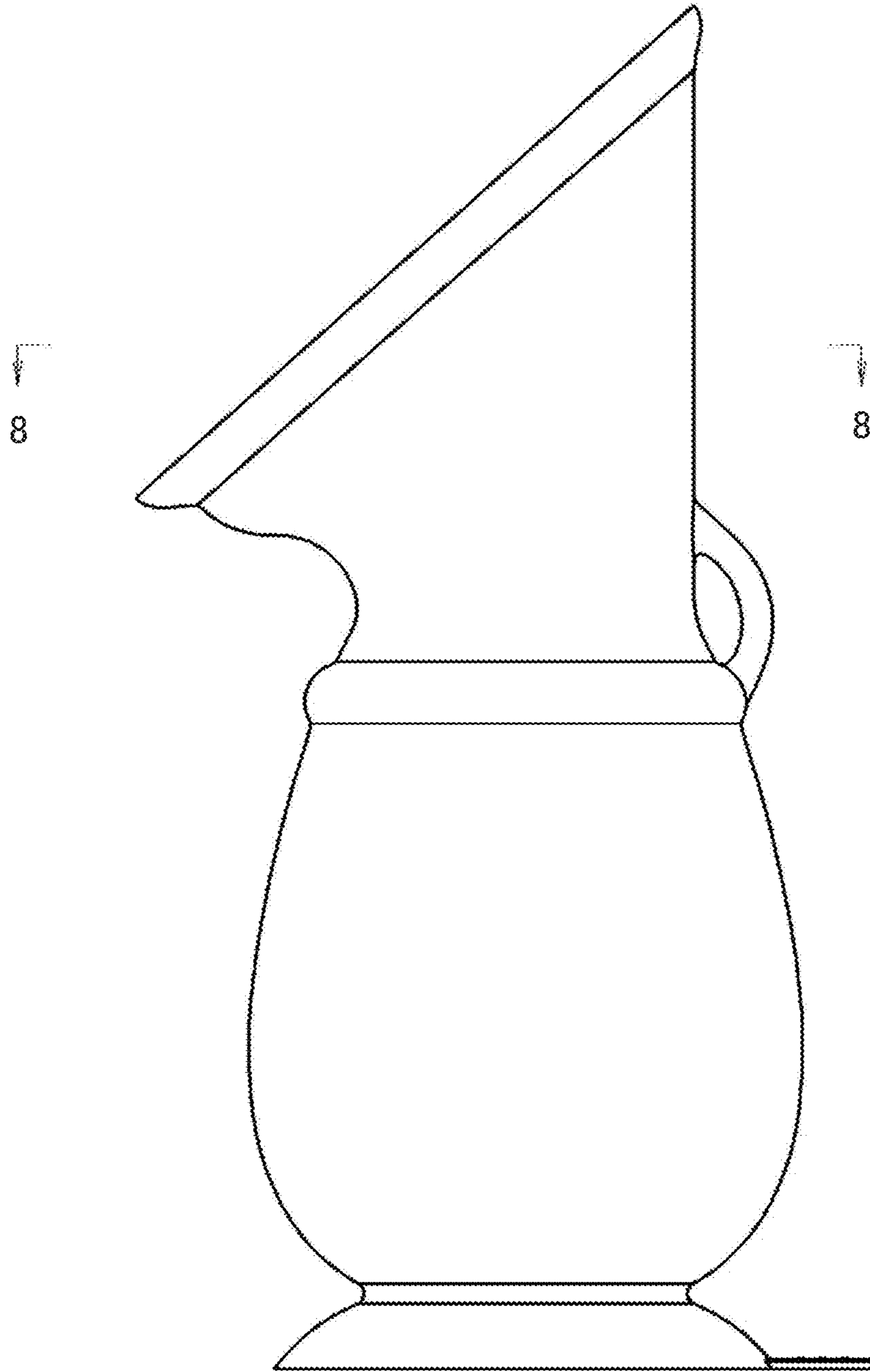
**Fig. 1**



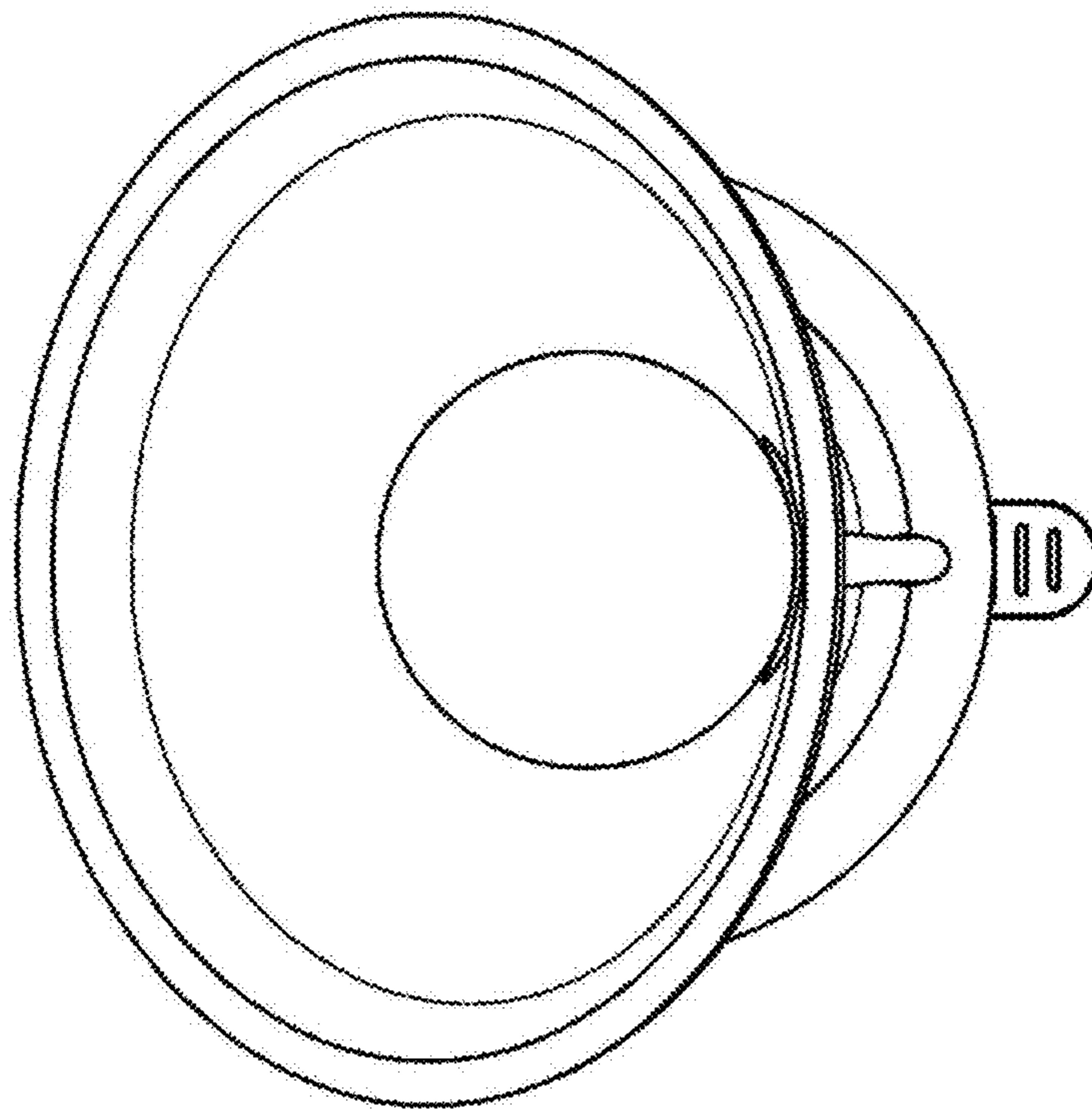
**Fig. 2**



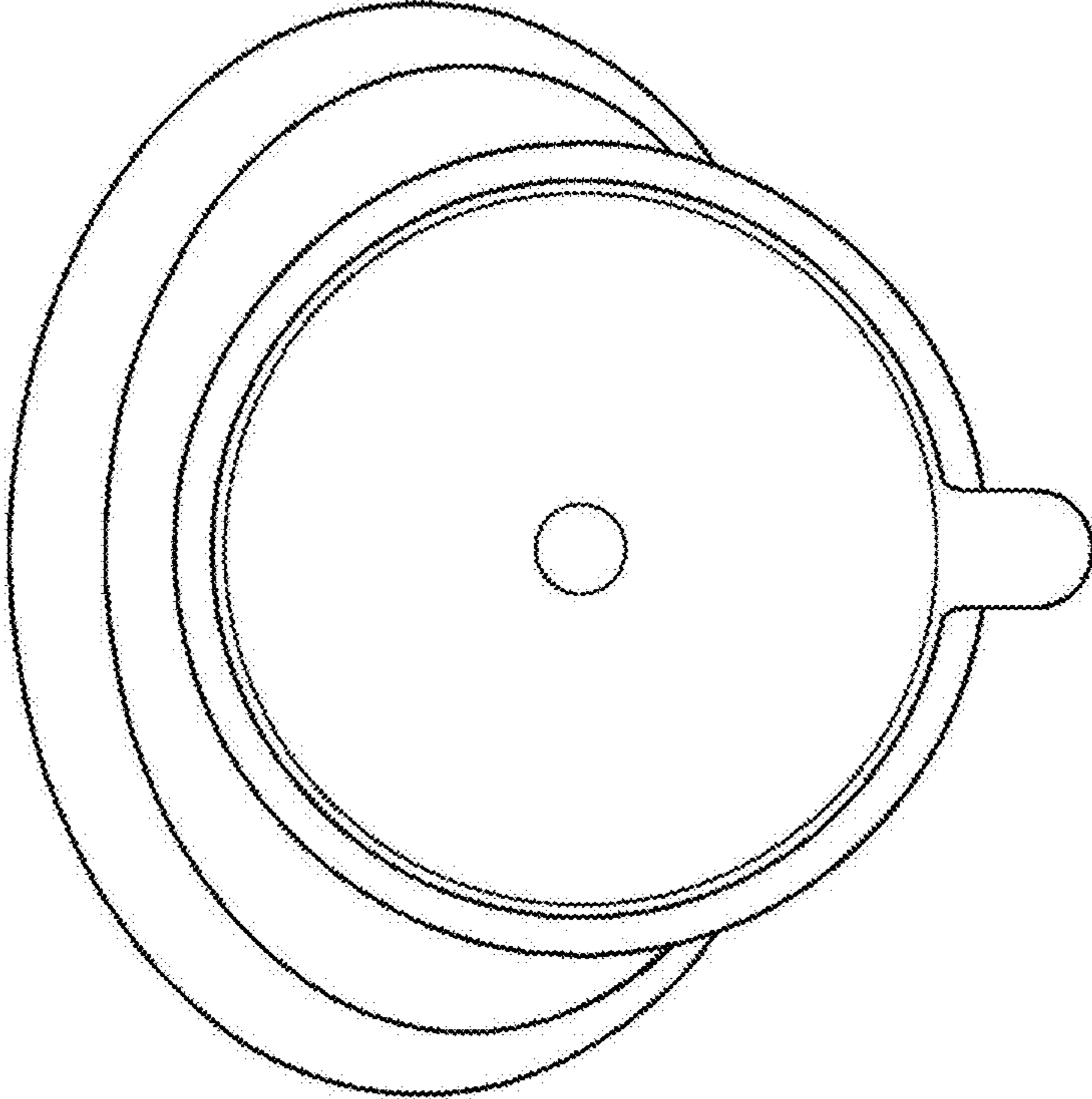
**Fig. 3**



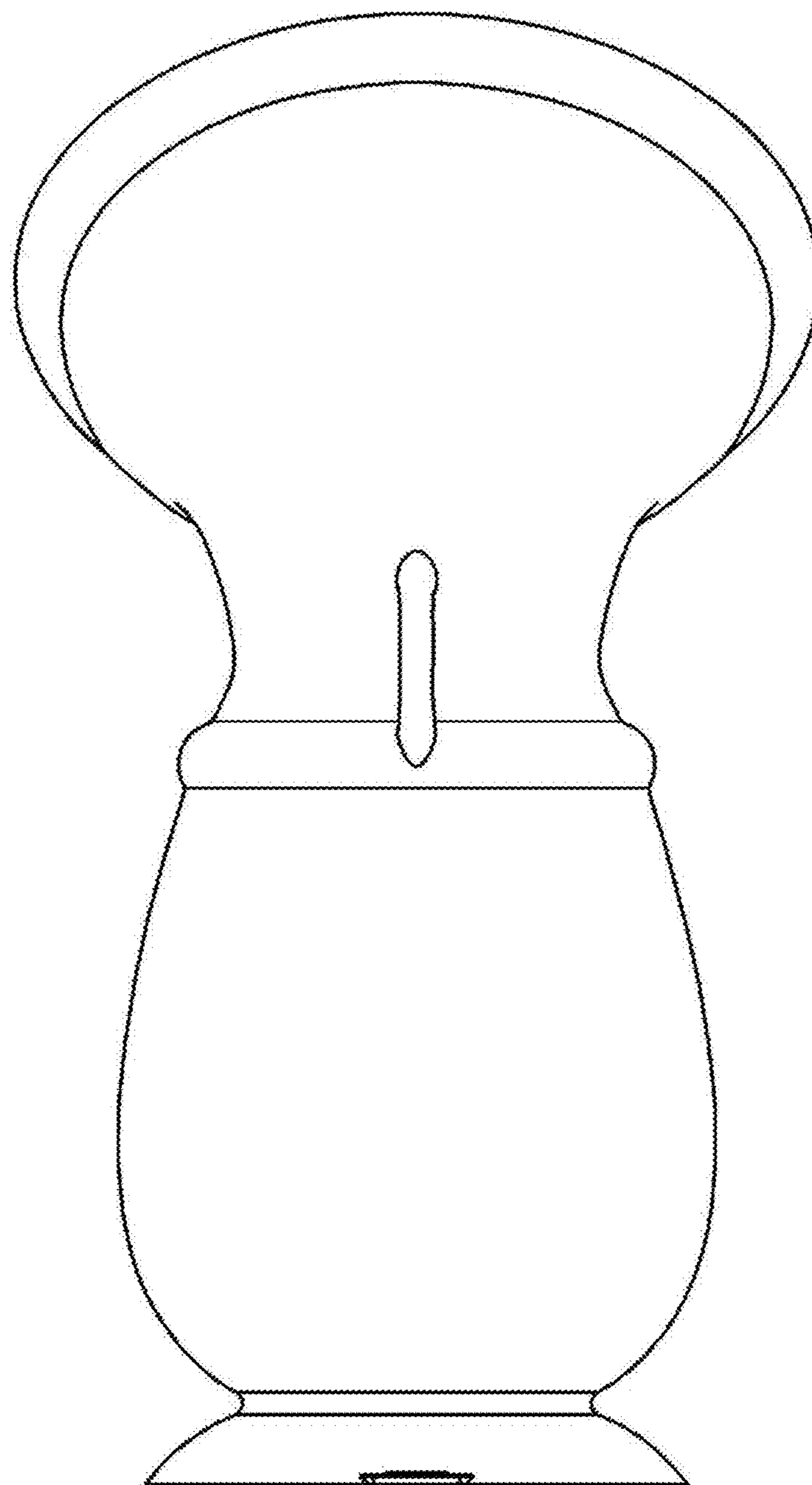
***Fig. 4***



**Fig. 5**

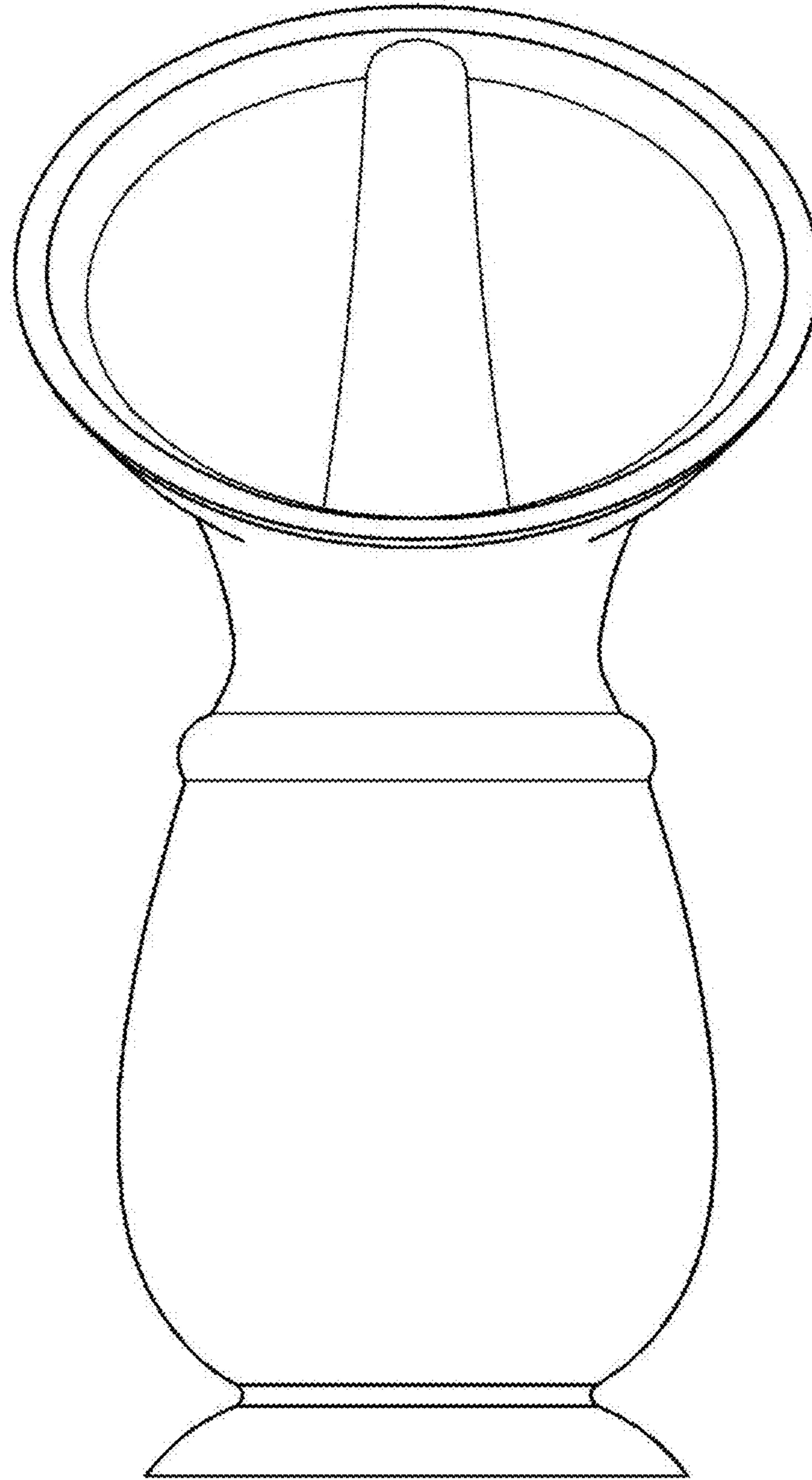


***Fig. 6***





***Fig. 7***



**Fig. 8**

