

US00D954250S

(12) **United States Design Patent**
Holmes

(10) **Patent No.:** **US D954,250 S**
(45) **Date of Patent:** **** Jun. 7, 2022**

- (54) **CEILING FAN MOTOR HOUSING**
- (71) Applicant: **HUNTER FAN COMPANY**,
Memphis, TN (US)
- (72) Inventor: **Christine Holmes**, Memphis, TN (US)
- (73) Assignee: **Hunter Fan Company**, Memphis, TN
(US)
- (**) Term: **15 Years**
- (21) Appl. No.: **29/722,681**
- (22) Filed: **Jan. 31, 2020**

D328,785 S 8/1992 Markwardt
 D328,951 S 8/1992 Scofield
 D329,087 S 9/1992 Markwardt
 (Continued)

OTHER PUBLICATIONS

<http://www.kichler.com/products/product/52-lyndon-patio-ceiling-fan-wsp-310139wsp.aspx>, Item Specification for Kichler 52' Lyndon Patio Ceiling Fan in WSP, accessed Mar. 7, 2016.
 (Continued)

Primary Examiner — Sharon S Oum
 (74) *Attorney, Agent, or Firm* — McGarry Bair PC

(57) **CLAIM**

The ornamental design for a ceiling fan motor housing, as shown and described.

DESCRIPTION

FIG. 1 is a top perspective view of a ceiling fan motor housing in the environment of a ceiling fan, showing my new design;
 FIG. 2 is a bottom perspective view of the ceiling fan motor housing of FIG. 1;
 FIG. 3 is a top view of the ceiling fan motor housing of FIG. 1;
 FIG. 4 is a bottom view of the ceiling fan motor housing of FIG. 1;
 FIG. 5 is a front side view of the ceiling fan motor housing of FIG. 1;
 FIG. 6 is a rear side view of the ceiling fan motor housing of FIG. 1;
 FIG. 7 is a right side view of the ceiling fan motor housing of FIG. 1; and,
 FIG. 8 is a left side view of the ceiling fan motor housing of FIG. 1.
 The broken lines illustrate portions of the ceiling fan motor housing and ceiling fan environment that form no part of the claimed design.

1 Claim, 8 Drawing Sheets

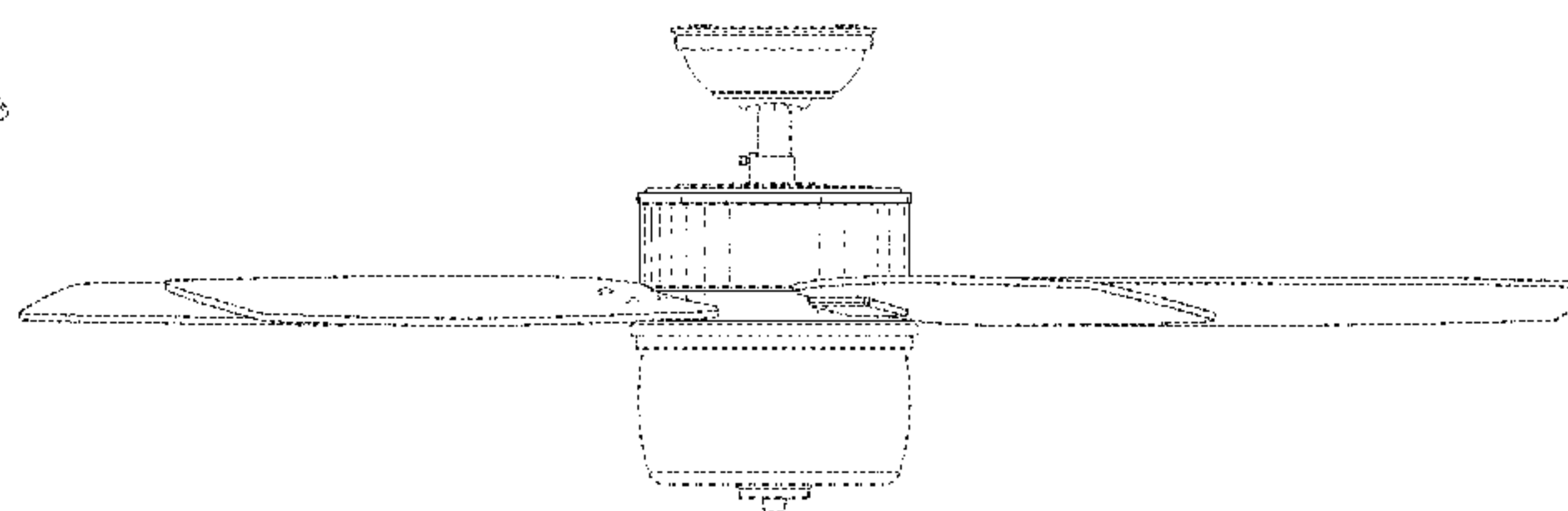
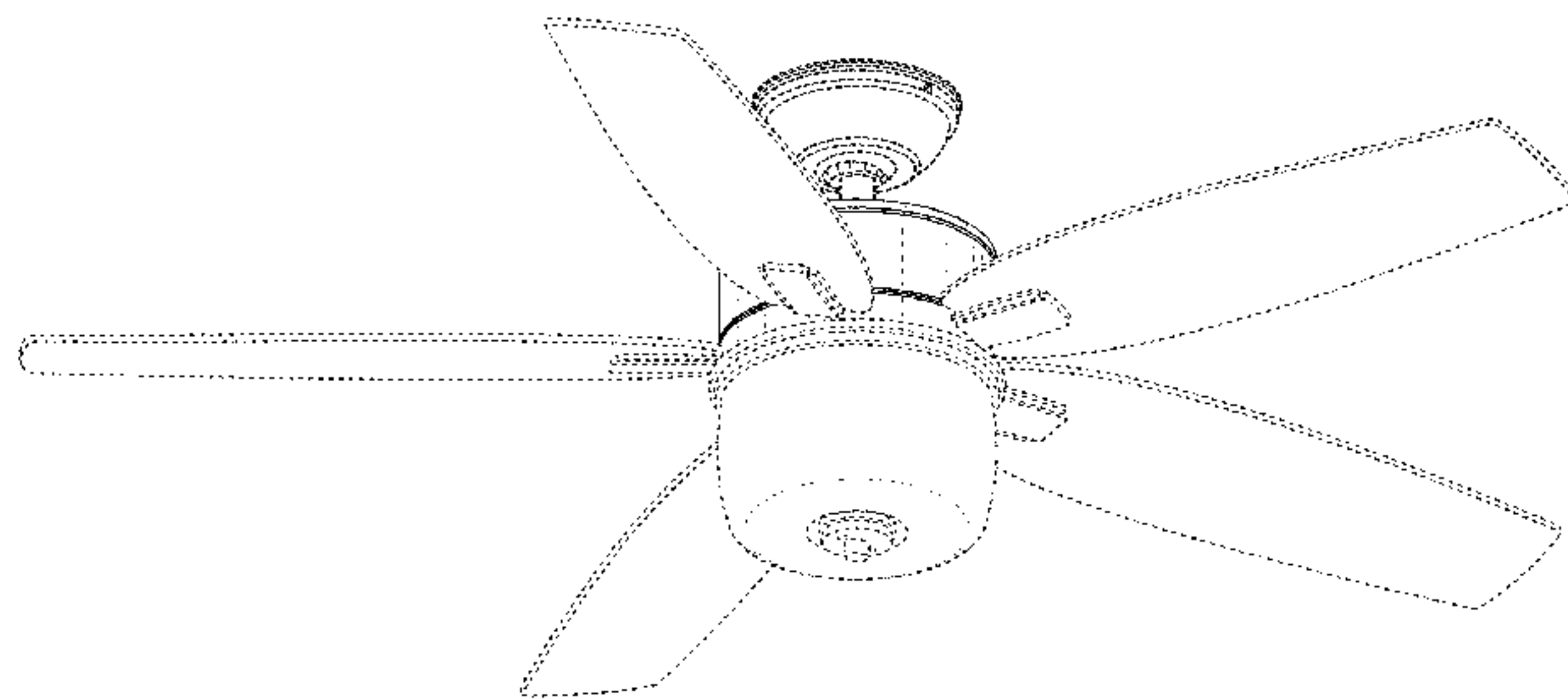
Related U.S. Application Data

- (60) Continuation of application No. 29/691,117, filed on May 14, 2019, now Pat. No. Des. 877,318, which is a continuation of application No. 29/619,933, filed on Oct. 3, 2017, now Pat. No. Des. 854,210, which is a division of application No. 29/557,154, filed on Mar. 7, 2016, now Pat. No. Des. 809,644.
- (51) **LOC (13) Cl.** **23-03**
- (52) **U.S. Cl.**
USPC **D23/411**
- (58) **Field of Classification Search**
USPC D23/370, 377, 379, 385, 411–414
CPC F04D 25/088; F04D 29/38; F04D 29/384;
F04D 29/386; F21V 33/0096
See application file for complete search history.

(56) **References Cited**

U.S. PATENT DOCUMENTS

| | | |
|------------|---------|-----------------|
| D170,084 S | 7/1953 | Glatthar et al. |
| D279,974 S | 8/1985 | Komori et al. |
| D294,976 S | 3/1988 | Ewing |
| D312,686 S | 12/1990 | Weber |
| D315,612 S | 3/1991 | Hughes et al. |
| D320,439 S | 10/1991 | Harper |
| D321,408 S | 11/1991 | Hughes et al. |



(56)

References Cited

OTHER PUBLICATIONS

U.S. PATENT DOCUMENTS

D339,650 S 9/1993 Vieyra
 D350,622 S 9/1994 Gruber et al.
 5,668,920 A 9/1997 Pelonis
 D399,332 S 10/1998 Greene et al.
 D420,163 S 2/2000 Fouke
 6,019,479 A 2/2000 Barker
 D437,046 S 1/2001 Tsuji
 D442,275 S 5/2001 Dolan
 D476,769 S 7/2003 Pilkington
 D505,719 S 5/2005 Hidalgo
 D506,565 S 6/2005 Yurich
 D510,427 S 10/2005 Hidalgo
 D532,104 S 11/2006 Pickett
 D547,483 S 7/2007 Pickett
 D568,983 S 5/2008 Pan
 D581,515 S 11/2008 Pickett
 D605,331 S 12/2009 Miranda
 D609,324 S 2/2010 Lee
 D627,054 S 11/2010 Pan
 D641,912 S 7/2011 Lagutko
 D646,824 S 10/2011 Bembridge
 D694,945 S 12/2013 Yu
 D694,946 S 12/2013 Yu
 D705,922 S 5/2014 Wang
 D707,336 S 6/2014 Pan
 D716,992 S 11/2014 Kitts
 D726,952 S 4/2015 Kitts
 D744,634 S 12/2015 Wang
 D759,799 S 6/2016 Wang
 D771,795 S 11/2016 Wang
 D773,636 S 12/2016 Wang
 D783,797 S * 4/2017 Badarello D23/385
 D784,510 S * 4/2017 Badarello D23/385
 D787,038 S 5/2017 Badarello et al.
 D787,040 S 5/2017 Badarello et al.
 D795,410 S 8/2017 Holmes
 D799,668 S * 10/2017 Wang D23/377
 D803,380 S 11/2017 Holmes
 D809,644 S 2/2018 Holmes et al.
 D810,919 S * 2/2018 Haggard D23/377
 D818,104 S * 5/2018 Holmes D23/377
 D818,574 S 5/2018 Hidalgo
 D840,016 S * 2/2019 Guthrie D23/411
 D855,790 S 8/2019 Badarello
 D859,628 S * 9/2019 Yang D23/377
 D859,632 S * 9/2019 Yang D23/411
 D890,319 S * 7/2020 Kraemer D23/377
 D899,581 S * 10/2020 Holmes D23/411
 D936,813 S * 11/2021 McRoberts D23/377
 2006/0120064 A1 6/2006 McElhannon
 2009/0004016 A1 1/2009 Wang
 2009/0246028 A1 10/2009 Richardson
 2014/0044548 A1 2/2014 Wang
 2015/0078903 A1 3/2015 Lowe et al.

<http://www.montecarlofans.com/fa2244-pg1/Clarity-Collection.htm>, Item Specification for Clarity Collection by the Monte Carlo Fan Company, accessed Mar. 7, 2016.
<http://www.minkagroup.net/products/f734-si>, Item Specification for F734-SI—Strata—Minka Group, accessed Mar. 7, 2016.
<http://www.kichler.com/products/product/52-arkwet-patio-ceiling-fan-wsp-339529wsp.aspx>, Item Specification for 52" Arkwet Patio Ceiling Fan in WSP, accessed Mar. 7, 2016.
http://www.cens.com/cens/html/en/product/product_main_77128.html, Item Specification for Orion-ContemporarySeries _ AIR COOL INDUSTRIAL CO., LTD. _ CENS, accessed Mar. 7, 2016.
<http://ceilingfans.emerson.com/shop/en/fan/fans-s-emerson-fans/emerson-fans-browse-all/cornerstone-fan-cf1orb>, Item Specification for Traditional Bronze Ceiling Fan—Emerson, Cornerstone, accessed Mar. 7, 2016.
<http://ceilingfans.emerson.com/shop/en/fan/fans-s-emerson-fans/emerson-fans-browse-all/highpointe-fan-p-cf205>, Item Specification for Modern Architecturally-Inspired Black Ceiling Fan—Emerson—HighPointe, accessed Mar. 7, 2016.
<http://www.minkagroup.net/products/f689-dbb>, Item Specification for F689-DBB Minka Group, Kola-XL, accessed Mar. 7, 2016.
<http://www.hunterfan.com/Ceiling-Fans/Antero?ModelNumber=59178>, Item Specification for Antero Ceiling Fans with Lights—Hunter Fan, accessed Mar. 7, 2016.
<http://www.kichler.com/products/product/60-terra-select-ceiling-fan-obb-330250obb.aspx>, Item Specification for 60" Terra Select Ceiling Fan in OBB, accessed Mar. 7, 2016.
<http://www.montecarlofans.com/38110/52-Nikki---Polished-Nickel-5NKR52PND.html>, Item Specification for 5NKR52PND, 52" Nikki—Polished Nickel, Polished Nickel, accessed Mar. 7, 2016.
<http://ceilingfans.emerson.com/shop/en/fan/fans-s-emerson-fans/fans-s-contemporary/atomical-fan-p-cf930>, Item Specification for Outdoor Brushed Steel Ceiling Fan with Light, Emerson—Atomical, accessed Mar. 7, 2016.
<http://www.fanimation.com/products/index.php/fans/stafford.html>, Item Specification for Stafford—Fans, accessed Mar. 7, 2016.
 Monte Carlo 3KNR52CHO/ABS Ceiling Fans Ken, date first available Jan. 27, 2014, site visited Aug. 30, 2017, Available from Internet, https://www.amazon.com/Monte-Carlo-3KNR52CHO-ABS-Ceiling/dp/BOOI2VZLC6/ref=sr_1_1?ie=UTF8&qid=1504123478&sr=8-1&keywords=monte+carlo+ken+ceiling+fan.
 Hunter 59039 Windemere 54 in. Indoor Ceiling Fan with Light and Remote, date first available Aug. 7, 2013, site visited Aug. 30, 2017, Available from Internet, https://www.amazon.com/Hunter-59039-Windemere-Indoor-Ceiling/dp/BOOE07X8GE/ref=sr_1_1?s=hi&ie=UTF8&qid=1504125357&sr=1-1-spons&keywords=hunter+windemere&psc=1.

* cited by examiner

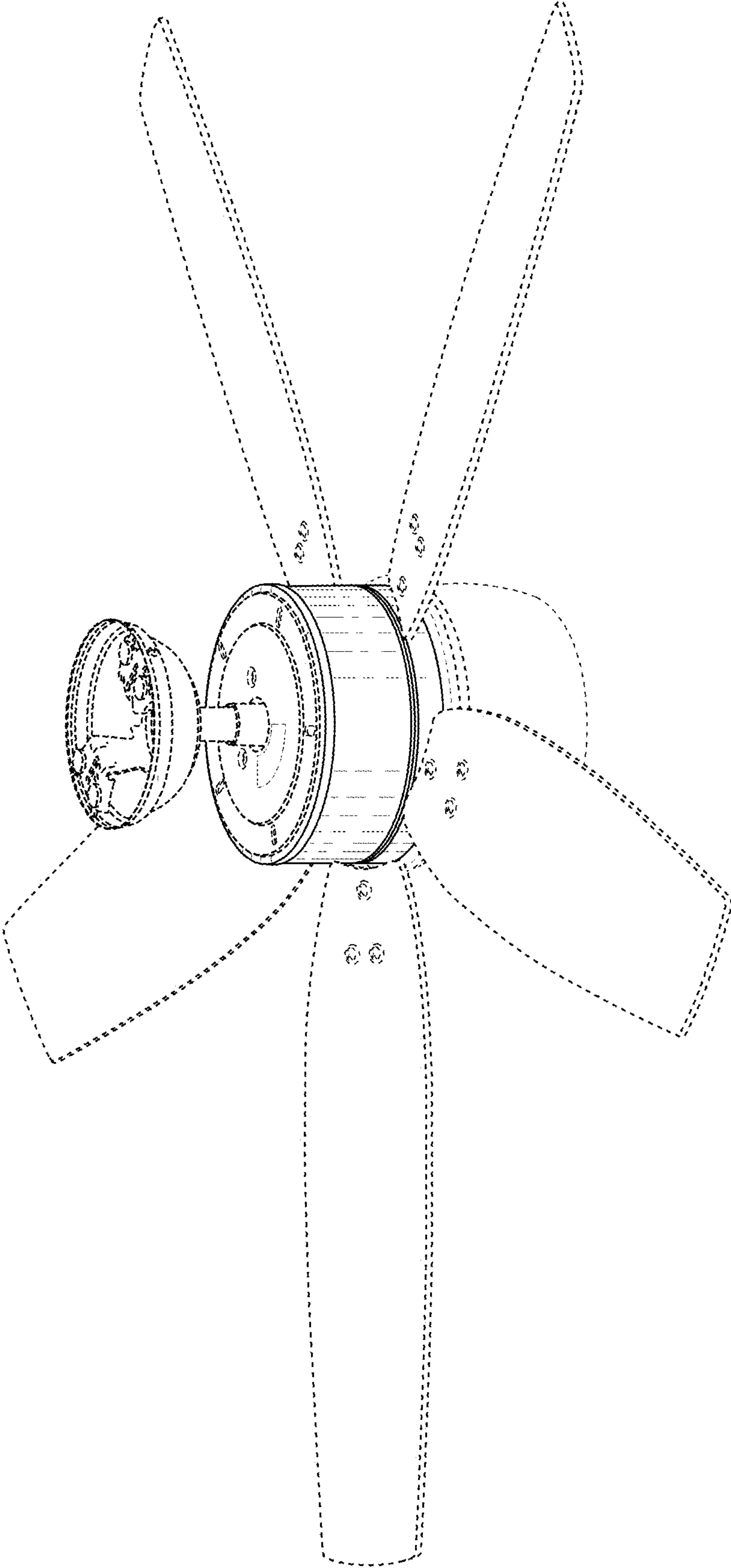


FIG. 1

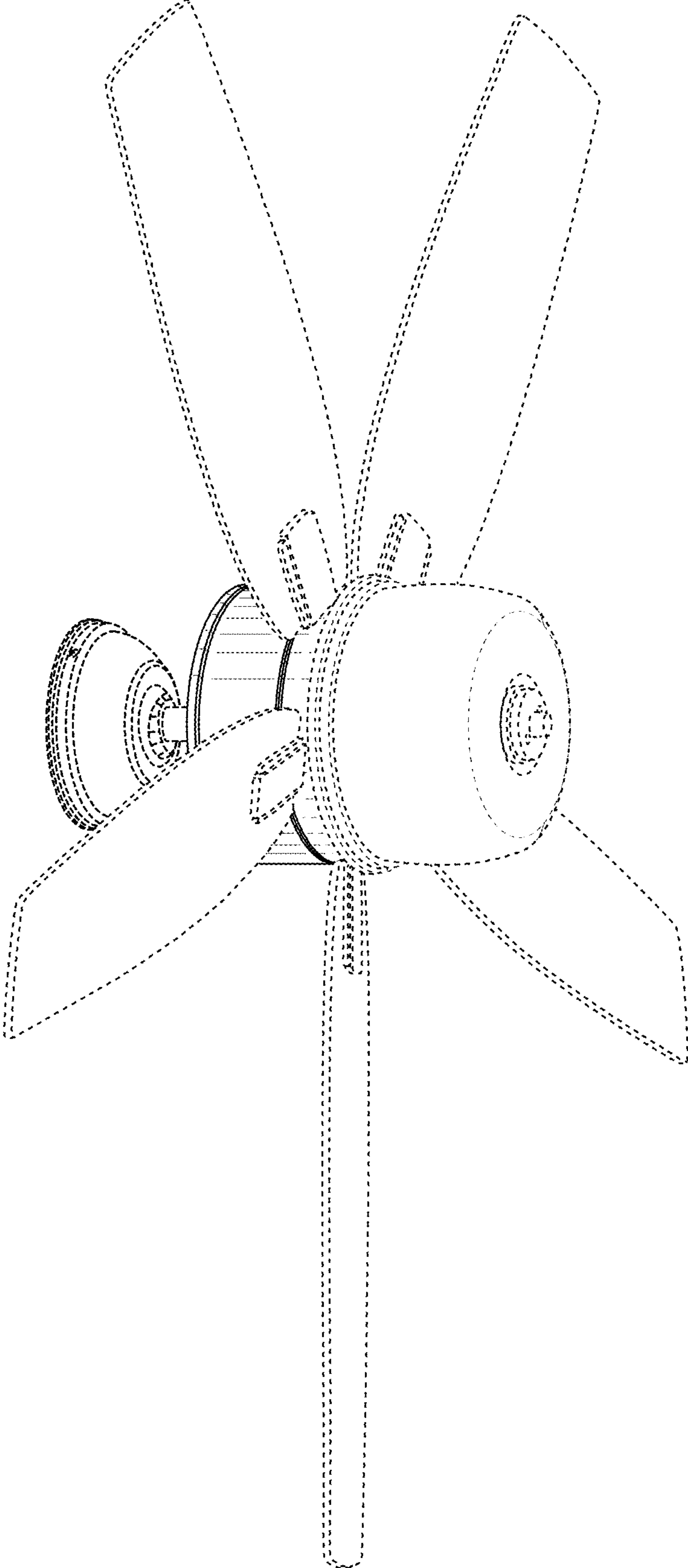


FIG. 2

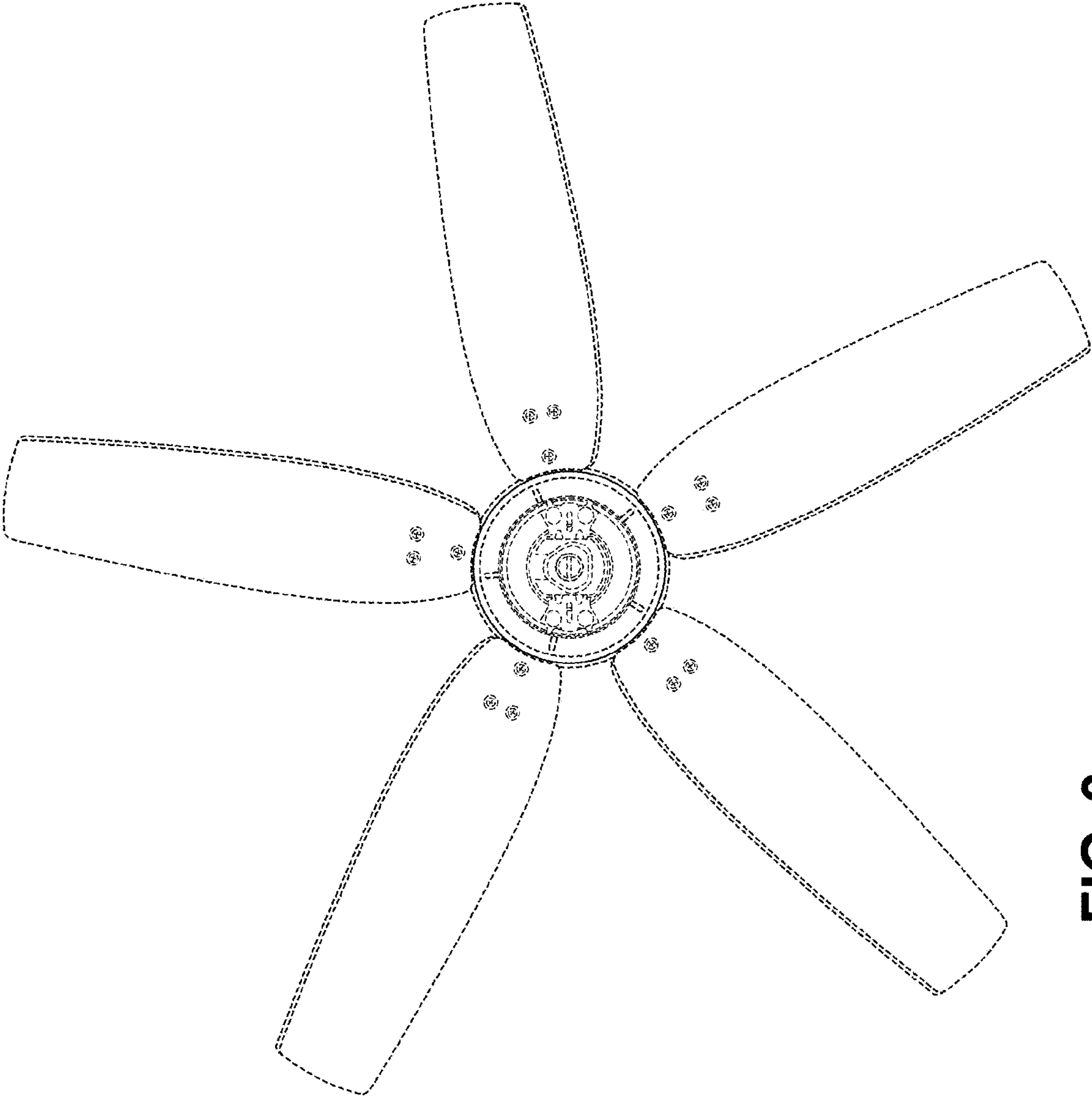


FIG. 3

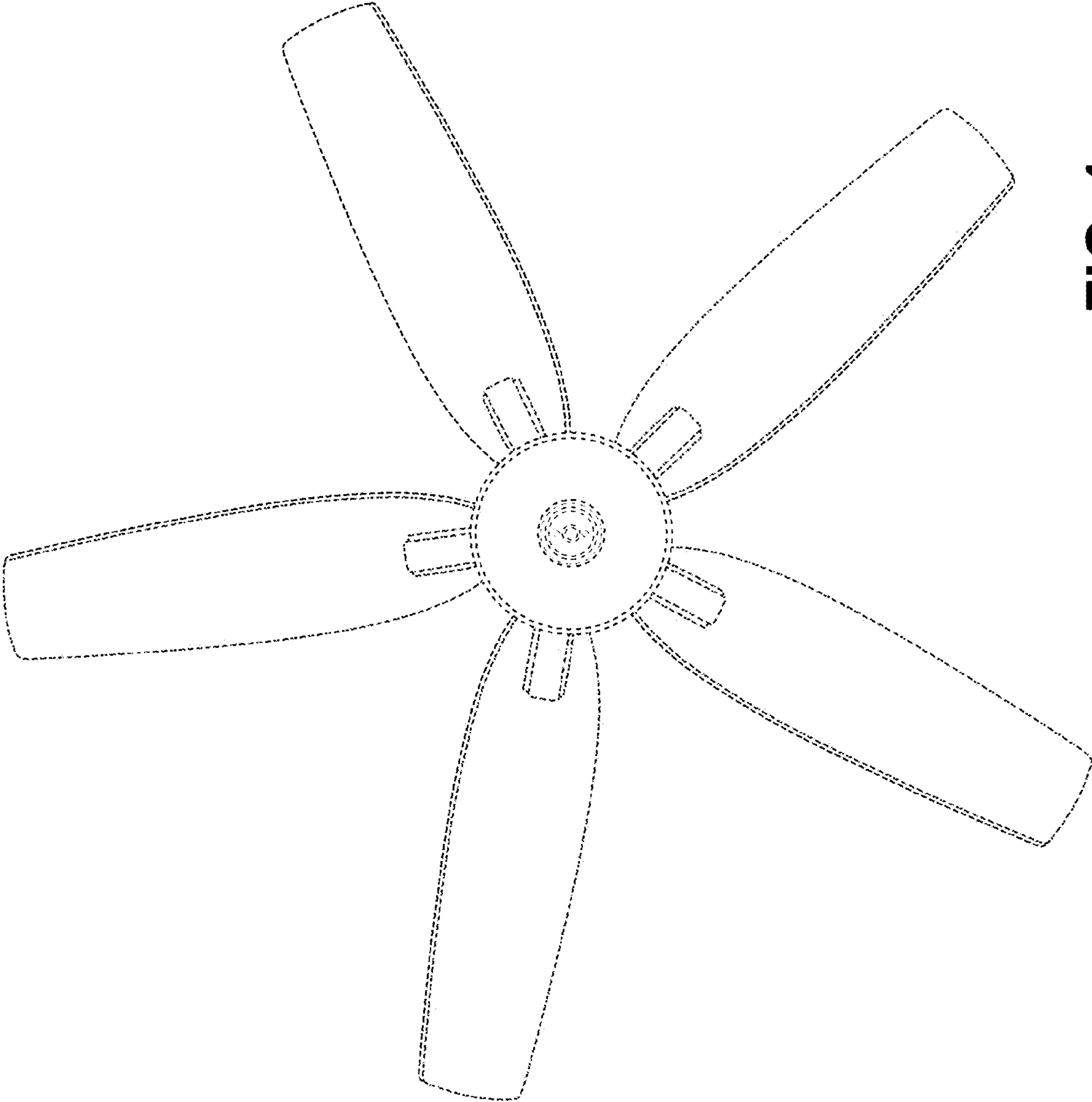


FIG. 4

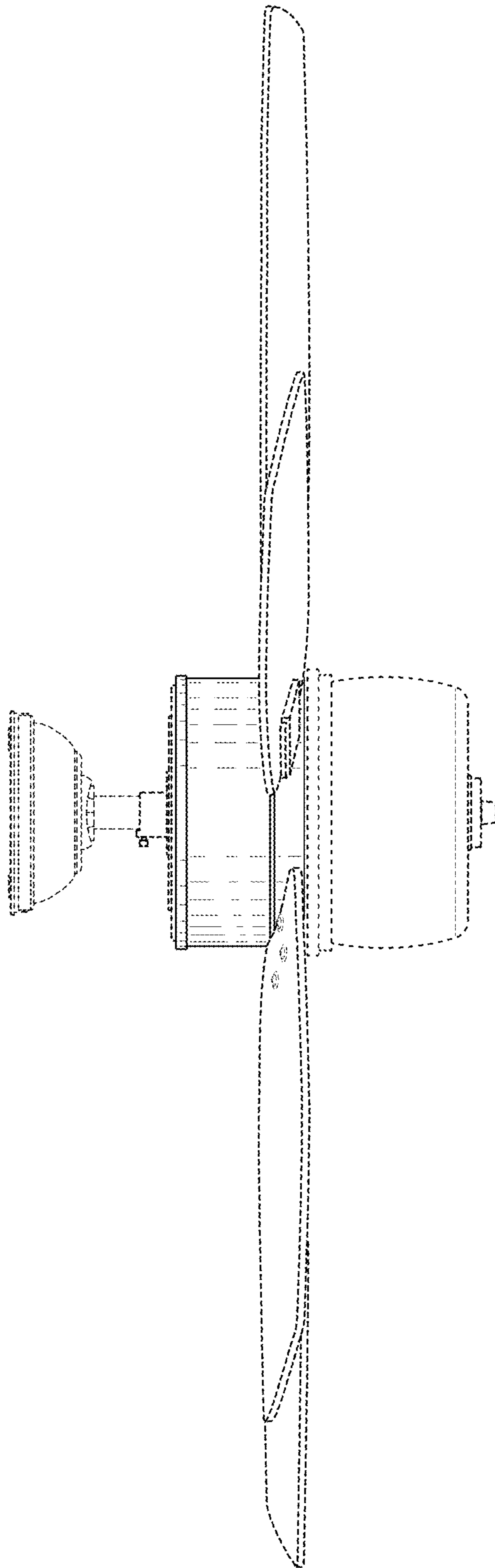


FIG. 5

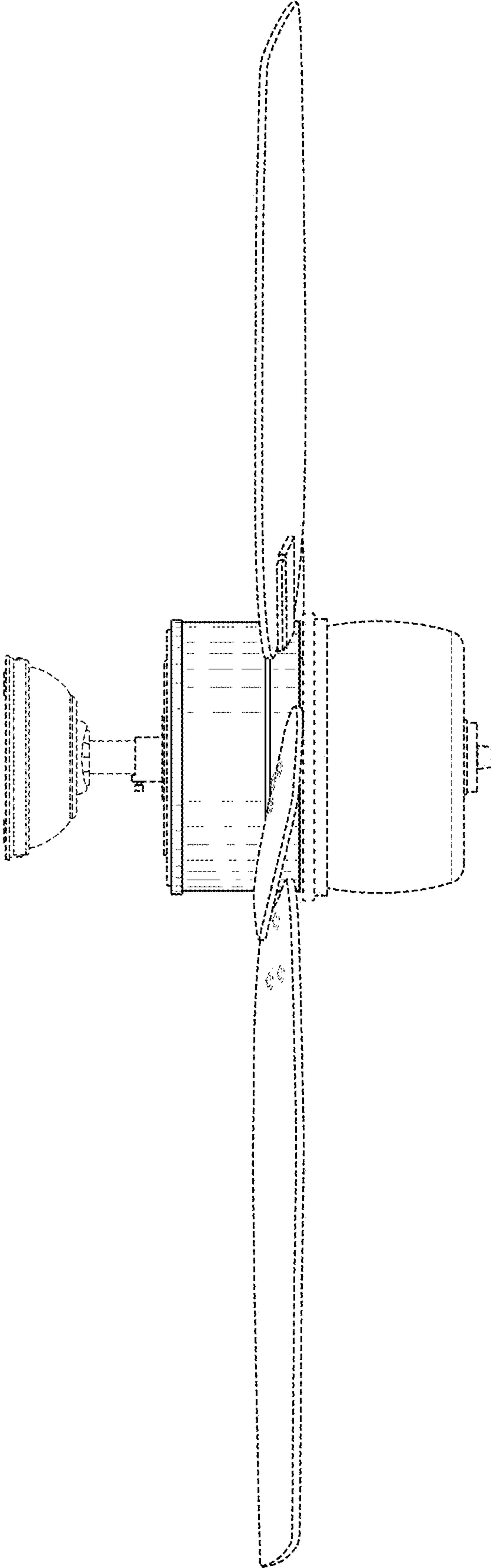


FIG. 6

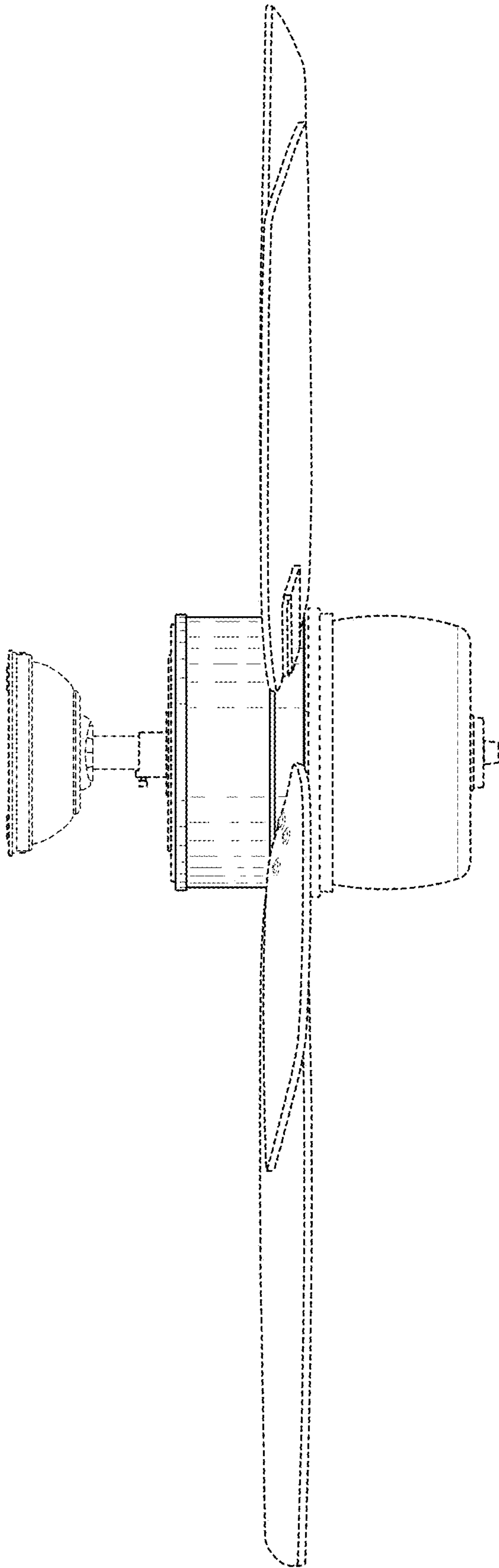


FIG. 7

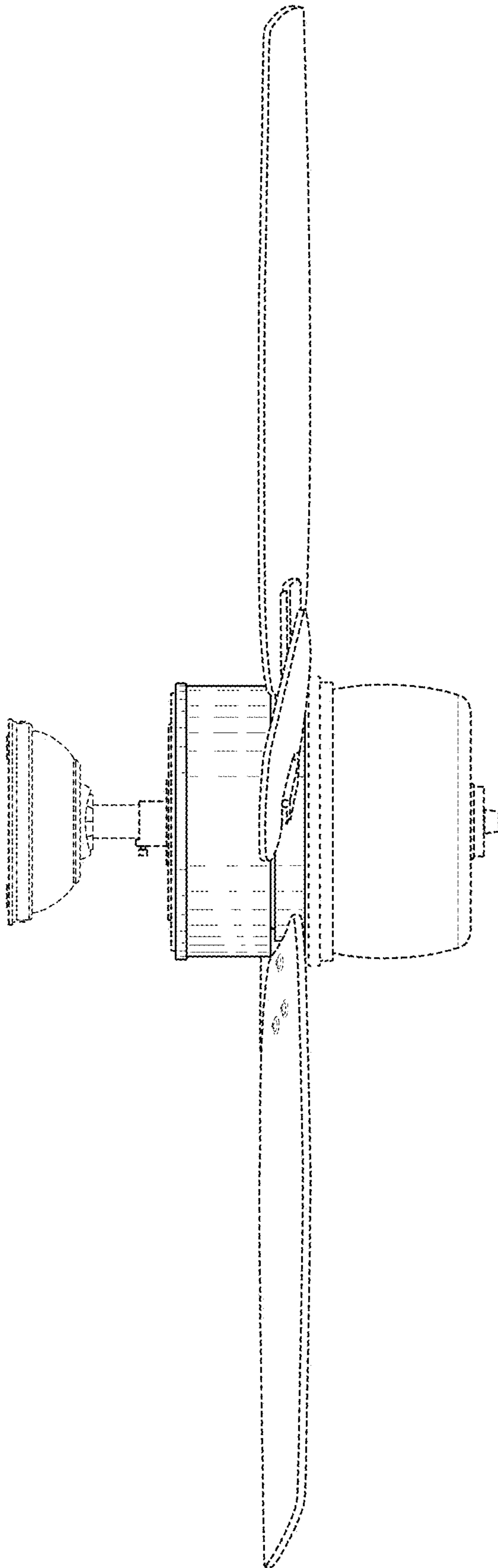


FIG. 8