



US00D954249S

(12) **United States Design Patent**  
**O'Mara**

(10) **Patent No.:** **US D954,249 S**

(45) **Date of Patent:** **\*\* Jun. 7, 2022**

(54) **ADJUSTABLE SOFFIT VENT DOOR SYSTEM**

(71) Applicant: **John O'Mara**, McCook Lake, SD (US)

(72) Inventor: **John O'Mara**, McCook Lake, SD (US)

(\*\*) Term: **15 Years**

(21) Appl. No.: **29/693,871**

(22) Filed: **Jun. 5, 2019**

(51) **LOC (13) Cl.** ..... **23-03**

(52) **U.S. Cl.**  
USPC ..... **D23/393**

(58) **Field of Classification Search**  
USPC ..... D23/324, 386-388, 392-393  
CPC ..... E04D 13/152; F24F 13/10; F24F 13/12;  
F24F 12/18

See application file for complete search history.

(56) **References Cited**

**U.S. PATENT DOCUMENTS**

2,046,215 A *	6/1936	Stacey, Jr. ....	F24F 13/06 454/306
2,087,104 A *	7/1937	Eisler .....	F24F 13/1426 454/331
4,195,455 A *	4/1980	Chalmers .....	E04B 9/26 52/506.1
D290,745 S *	7/1987	Whitley, II .....	D12/317
4,715,532 A *	12/1987	Sarazen, Jr. ....	F24F 13/15 236/49.5
5,201,879 A *	4/1993	Steele .....	F24F 13/08 174/16.1

(Continued)

**OTHER PUBLICATIONS**

"Built-in Screen Galvanized Steel Soffit Vent", Feb. 3, 2016, Hope Depot, site visited Nov. 24, 2020: <https://www.homedepot.com/p/Master-Flow-16-5-in-x-1-5-in-Rectangular-Almond-Built-in-Screen-Galvanized-Steel-Soffit-Vent-EMBER1A/206610674> (Year: 2016).\*

(Continued)

*Primary Examiner* — Jack Reickel  
*Assistant Examiner* — Bobby W Jones, II  
(74) *Attorney, Agent, or Firm* — Jordan  
Meggison-Decker; BrownWinick Law Firm

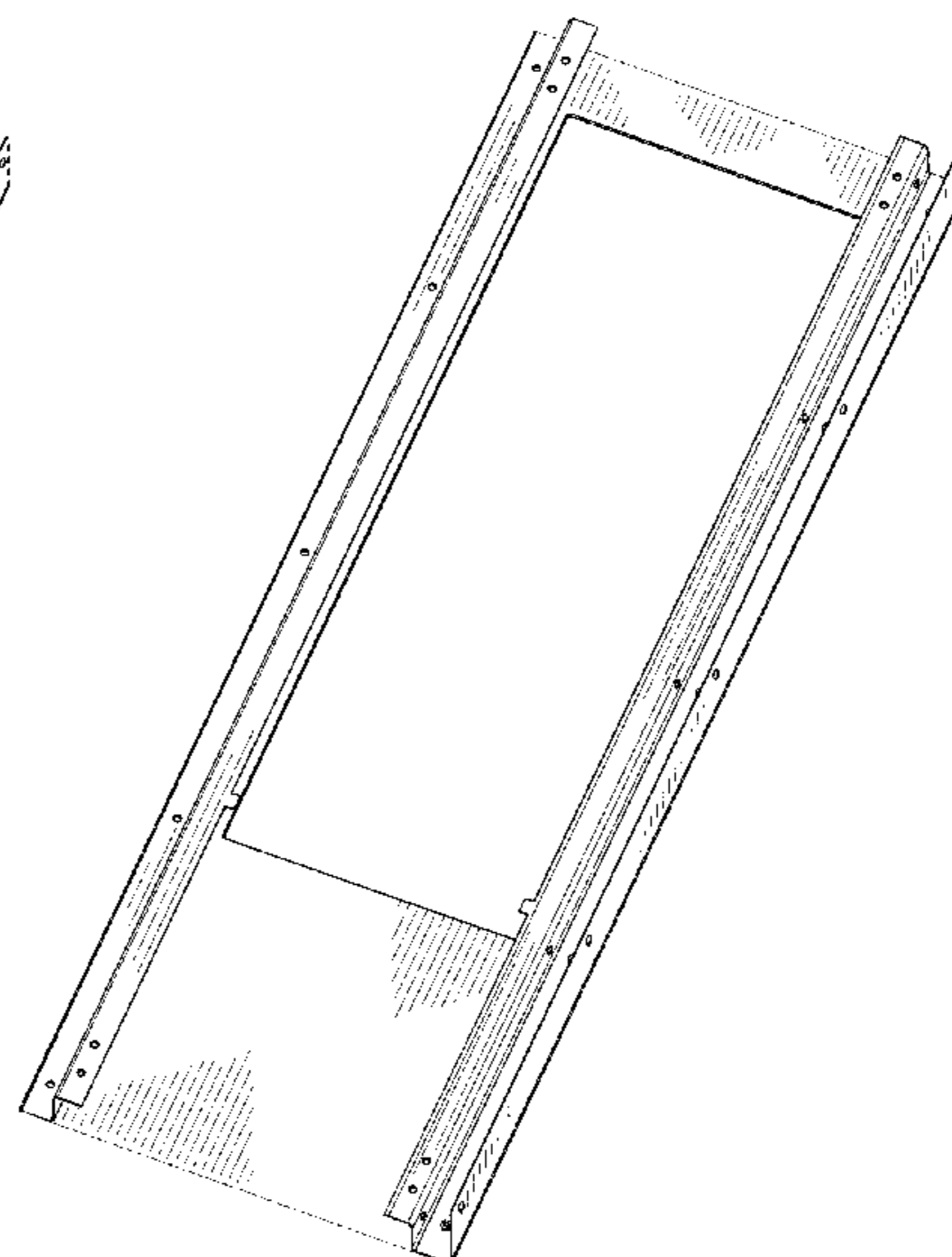
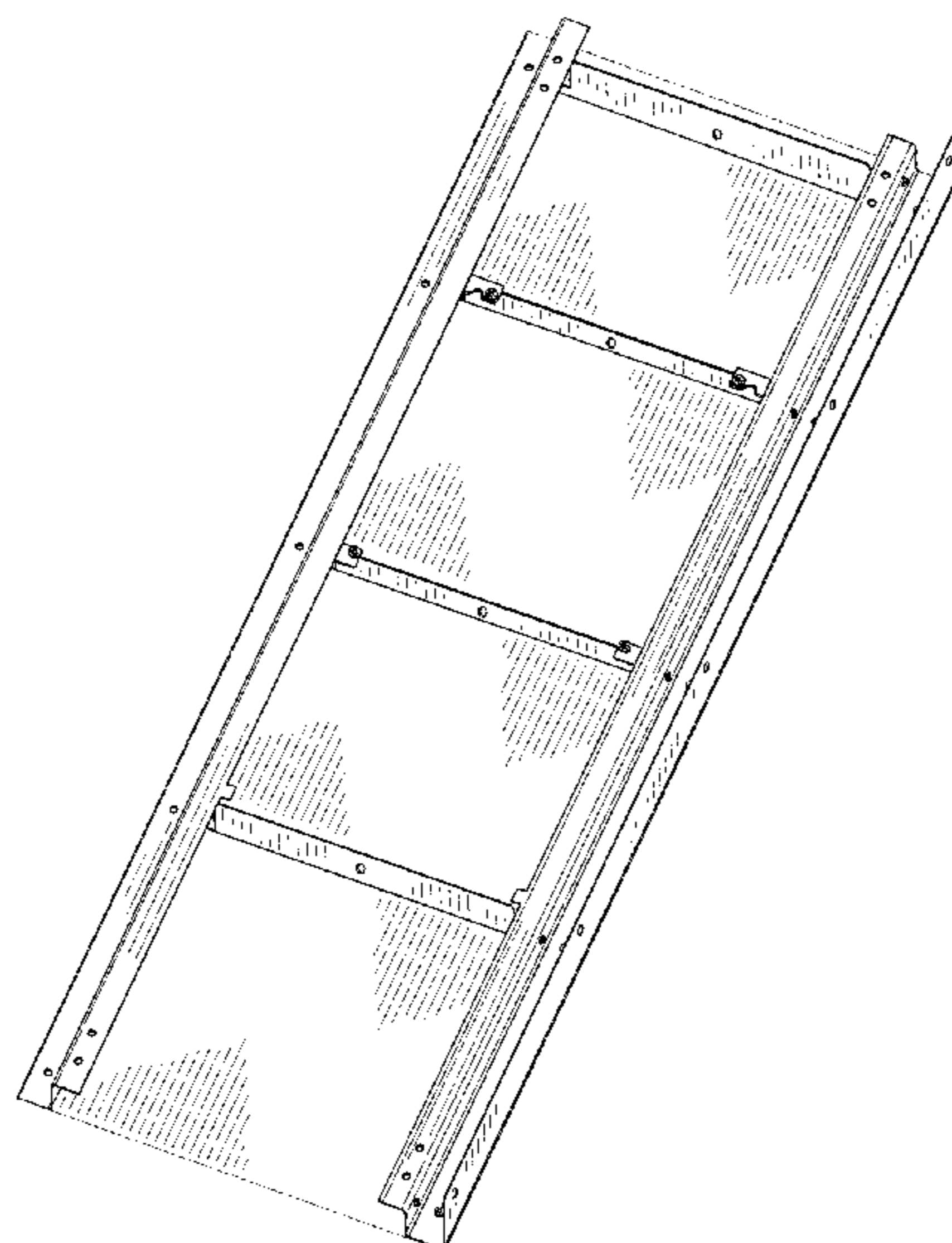
(57) **CLAIM**

The ornamental design for an adjustable soffit vent door system, as is shown and described.

**DESCRIPTION**

FIG. 1 is a perspective view of a front side of an adjustable soffit vent door system in a closed position.  
FIG. 2 is a front side view of an adjustable soffit vent door system in a closed position.  
FIG. 3 is a back side view of an adjustable soffit vent door system in a closed position.  
FIG. 4 is a perspective view of a front side of an adjustable soffit vent door system in an open position.  
FIG. 5 is a front side view of an adjustable soffit vent door system in an open position.  
FIG. 6 is a back side view of an adjustable soffit vent door system in an open position.  
FIG. 7 is a perspective view of a front side of an adjustable soffit vent door system in an open position; the view showing the adjustable soffit vent door system in a partially open position.  
FIG. 8 is a perspective view of a front side of an adjustable soffit vent door system in an open position; the view showing the adjustable soffit vent door system in a partially open position.  
FIG. 9 is a bottom view of an adjustable soffit vent door system in a closed position.  
FIG. 10 is a perspective view of disassembled components of an adjustable soffit vent door system; and,  
FIG. 11 is a bottom view of door panels of an adjustable soffit door vent system.  
The broken lines showing portions of the adjustable soffit vent door system form no part of the claimed design.

**1 Claim, 11 Drawing Sheets**



(56)

**References Cited**

## U.S. PATENT DOCUMENTS

D413,665 S \* 9/1999 Hudson ..... D23/393  
D468,417 S \* 1/2003 Leutz ..... D23/392  
D506,003 S \* 6/2005 Murphy ..... D23/392  
7,195,556 B1 \* 3/2007 Fichtelman ..... E04D 13/152  
454/260  
D586,600 S \* 2/2009 Norbury, Jr. .... D23/392  
D605,281 S \* 12/2009 Kern ..... D23/388  
D680,212 S \* 4/2013 Polkinghorne ..... D23/393  
9,341,388 B2 \* 5/2016 Francescon ..... F24F 13/12  
D771,789 S \* 11/2016 Smith ..... D23/393  
D771,790 S \* 11/2016 Smith ..... D23/393  
D785,158 S \* 4/2017 Kern ..... D23/388  
2009/0239462 A1 \* 9/2009 Hendricks ..... F24F 13/084  
454/271  
2015/0024673 A1 \* 1/2015 Phelps ..... F24F 13/10  
454/256  
2015/0072610 A1 \* 3/2015 Coles ..... F24F 13/12  
454/324  
2016/0273797 A1 \* 9/2016 Bruhnke ..... F24F 13/082  
2020/0326097 A1 \* 10/2020 Jezik ..... F24F 13/12  
2020/0385994 A1 \* 12/2020 O'Mara ..... F24F 13/1426

## OTHER PUBLICATIONS

"Snow Door: Stainless Steel Soffit Cover" Jun. 7, 2017, Facebook, site visited Nov. 24, 2020: <https://www.facebook.com/ajomaragroup/photos/a.744757838915168/1447773155280296/> (Year: 2017).\*

"White Hinge Open & Close Aluminium Air Vent", Jan. 17, 2018, Amazon, Site visited Apr. 12, 2021: <https://www.amazon.co.uk/dp/B0792XHB4N/> (Year: 2018).\*

John O'Mara/AJ O'Mara Group; Photos of Soffit Door Feb. 28, 2016.

\* cited by examiner

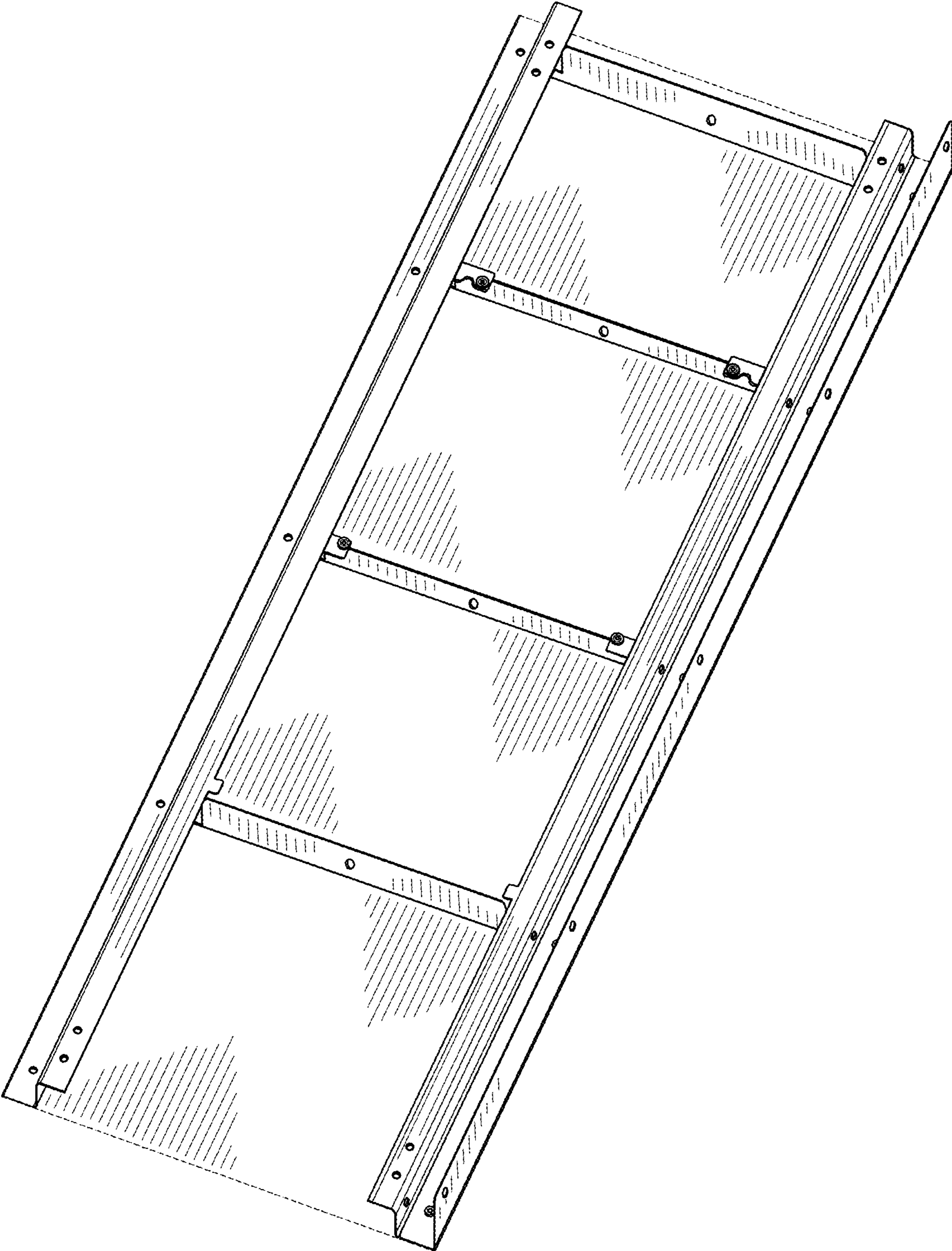


FIG. 1

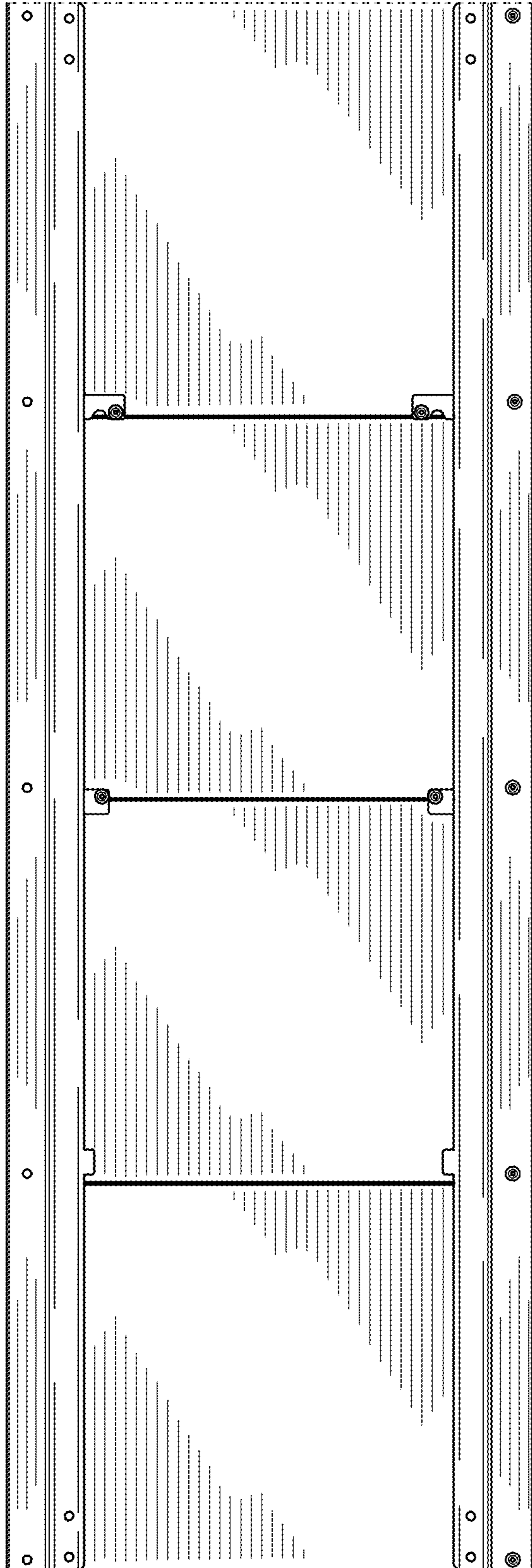


FIG. 2

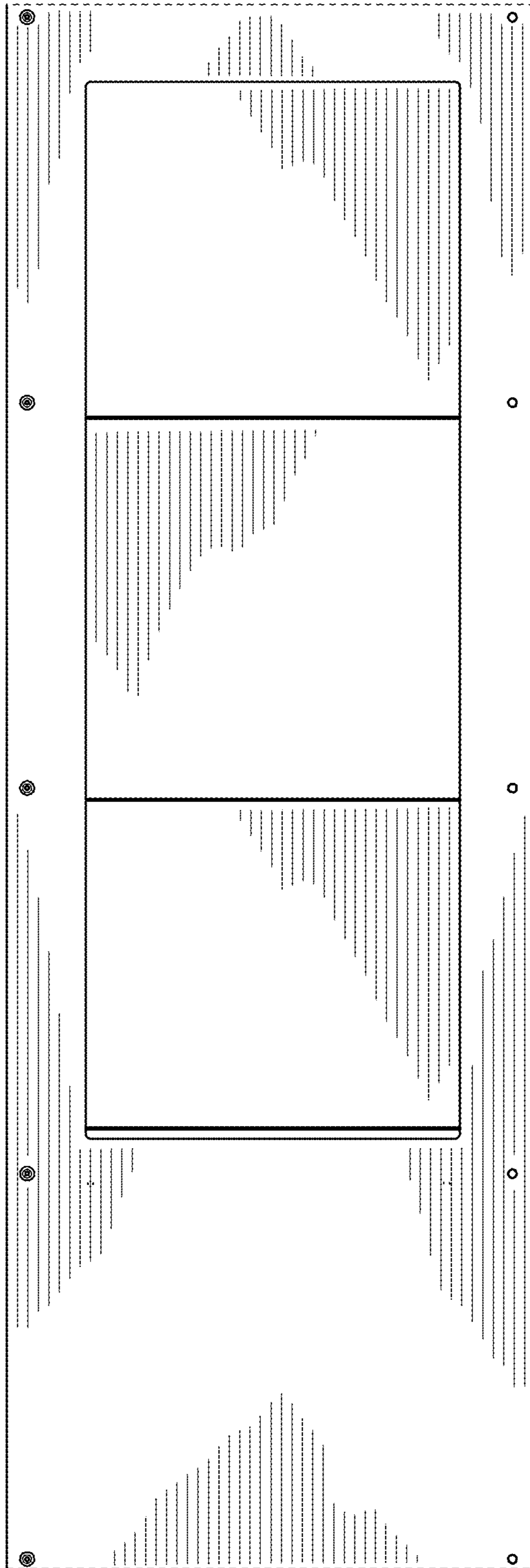


FIG. 3

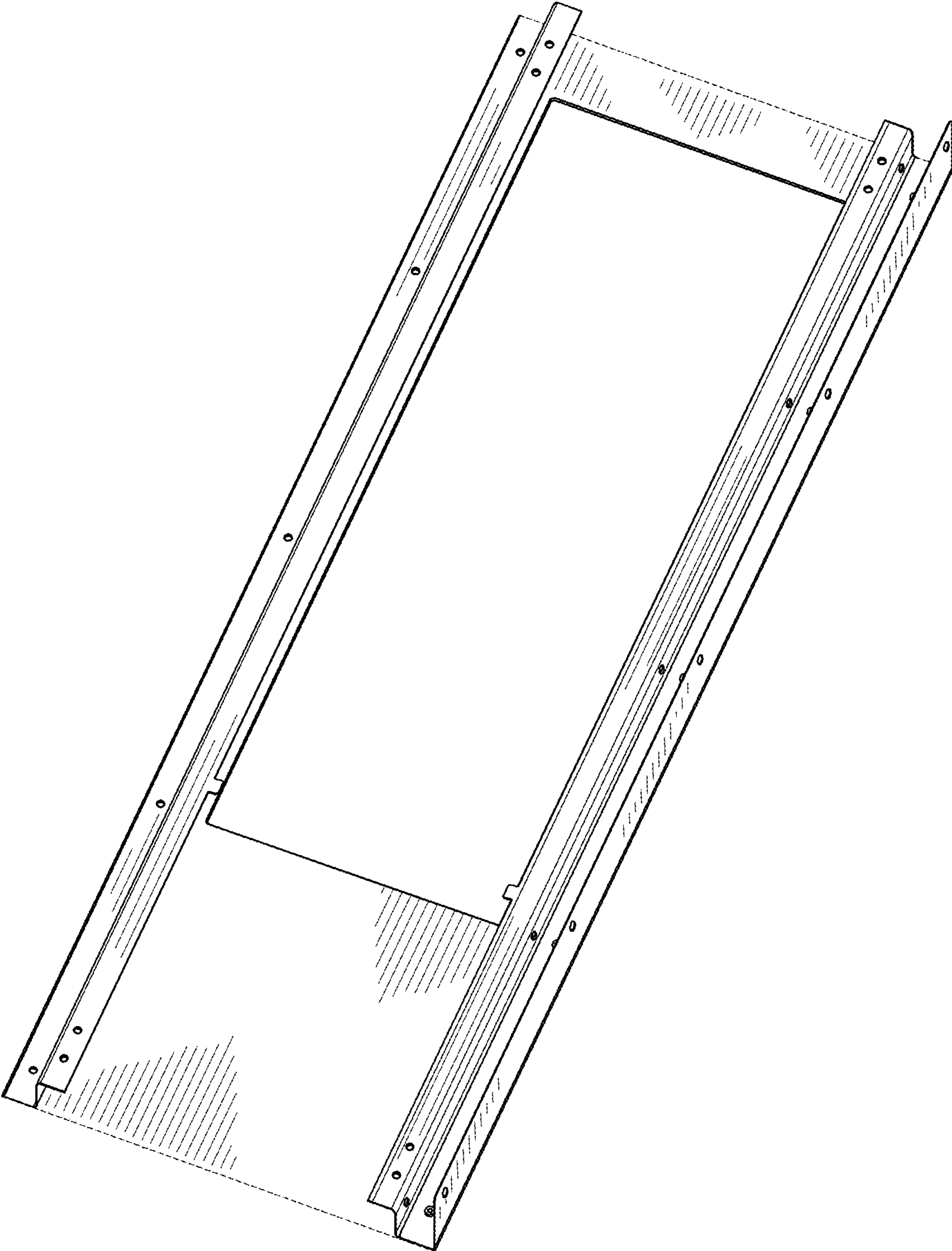


FIG. 4

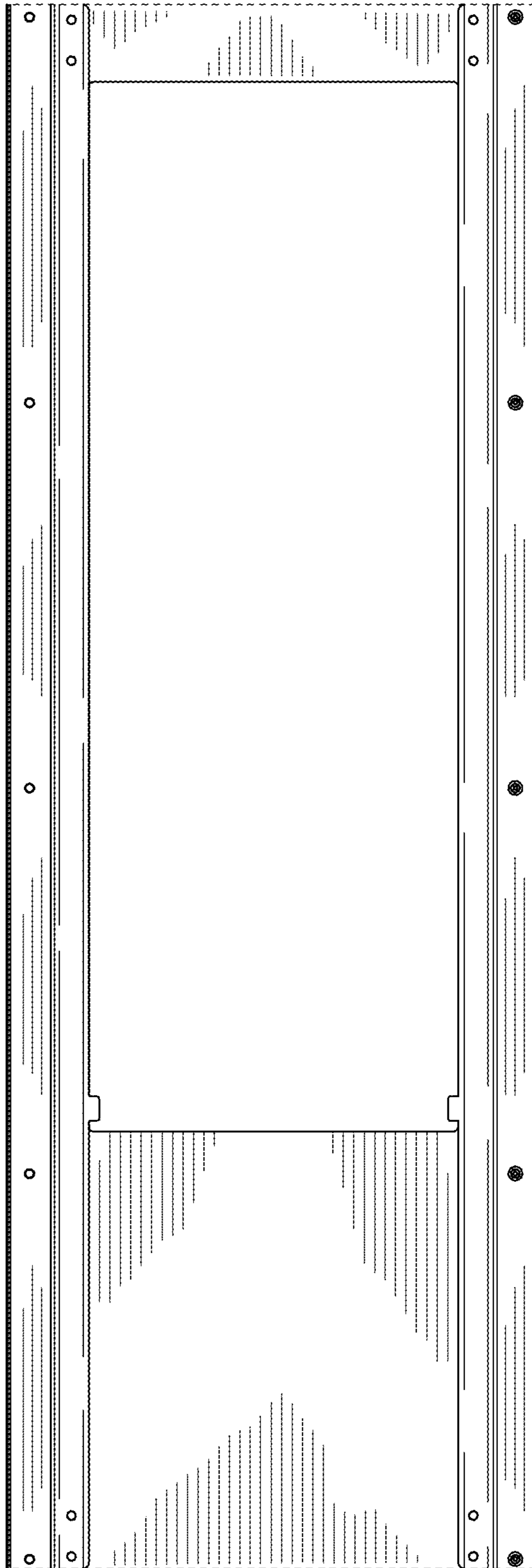


FIG. 5

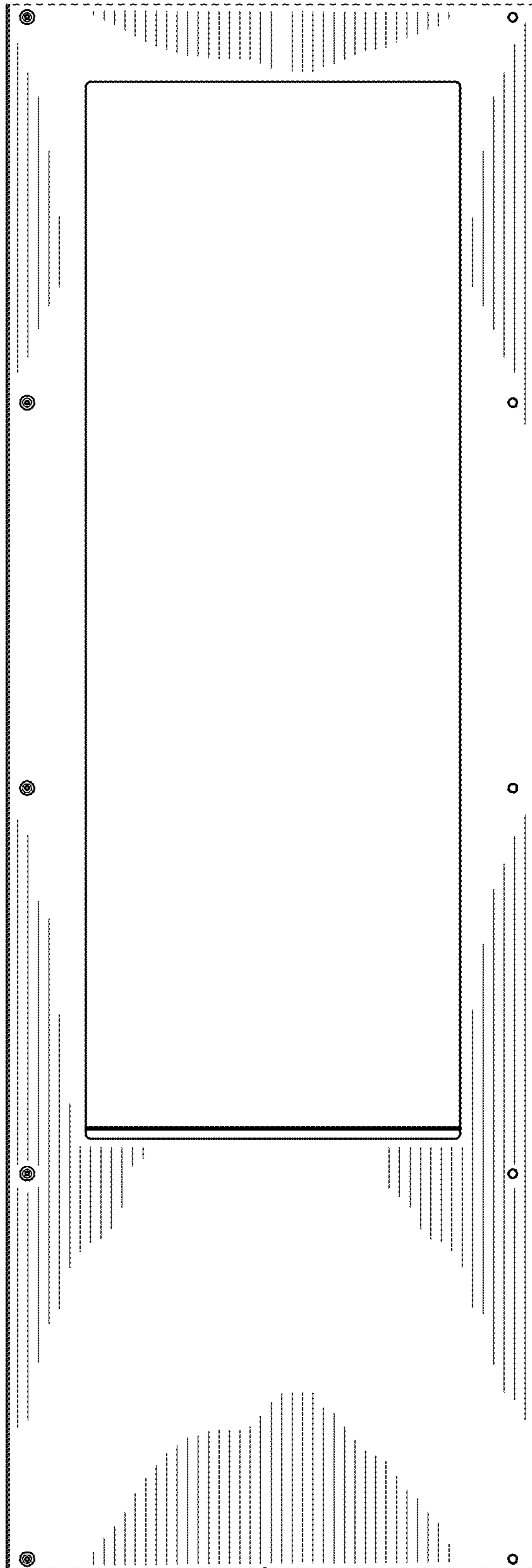


FIG. 6



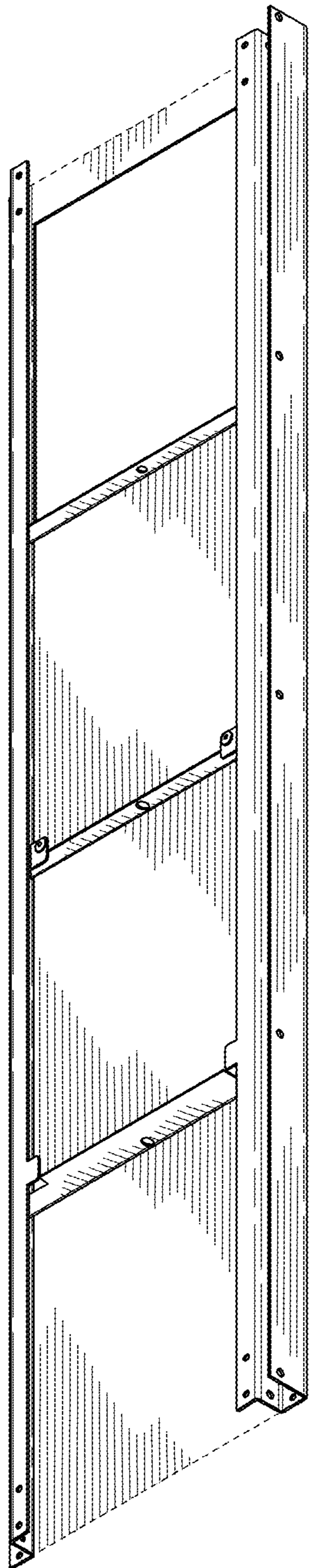


FIG. 7

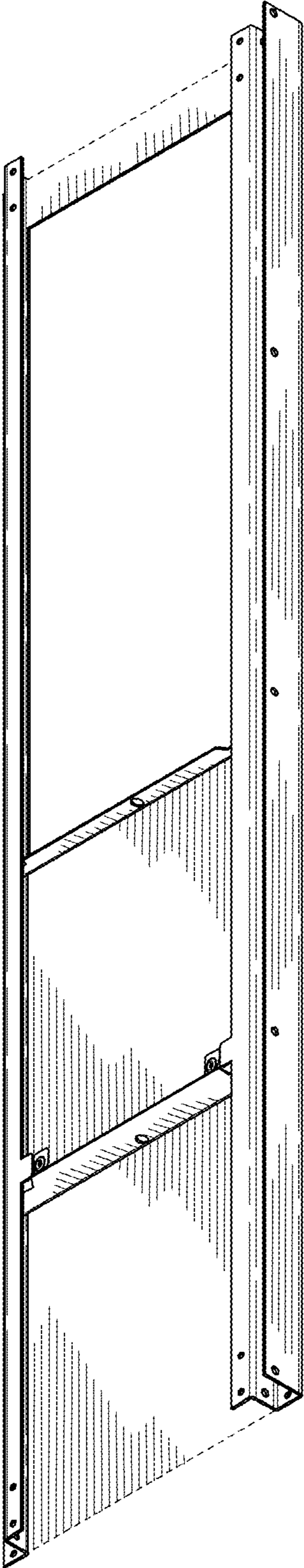


FIG. 8

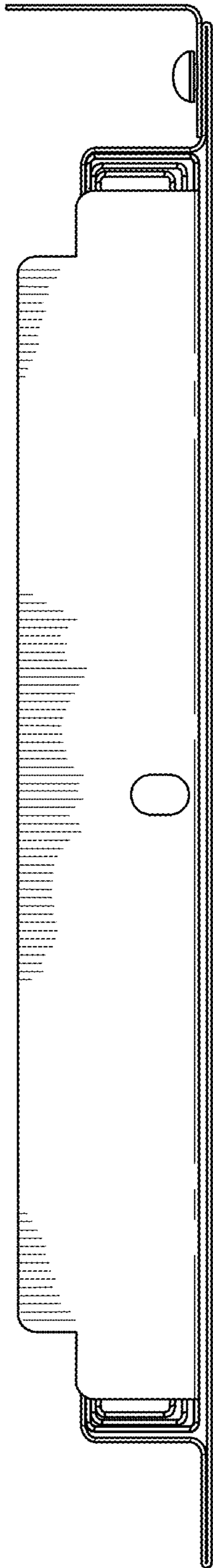


FIG. 9

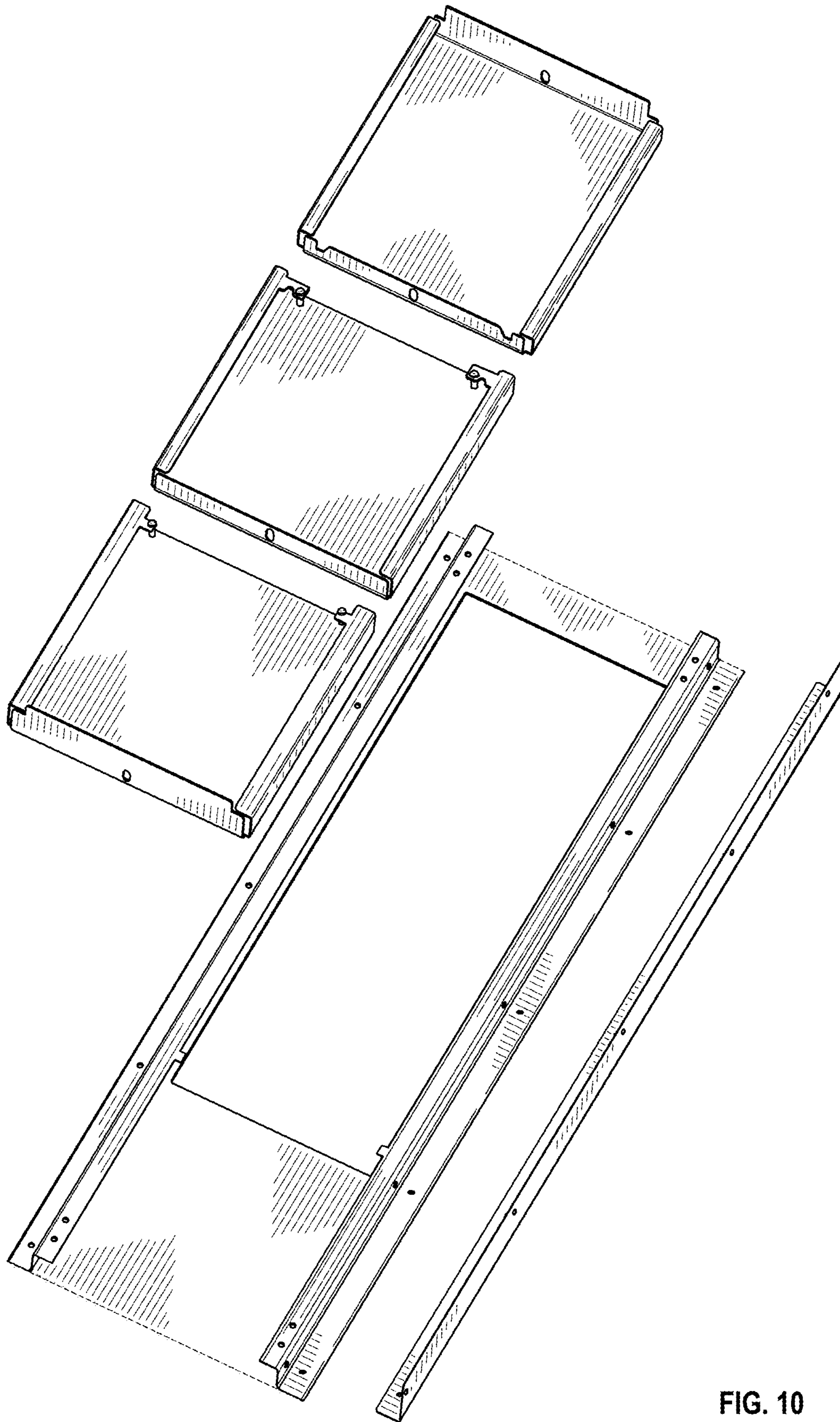


FIG. 10

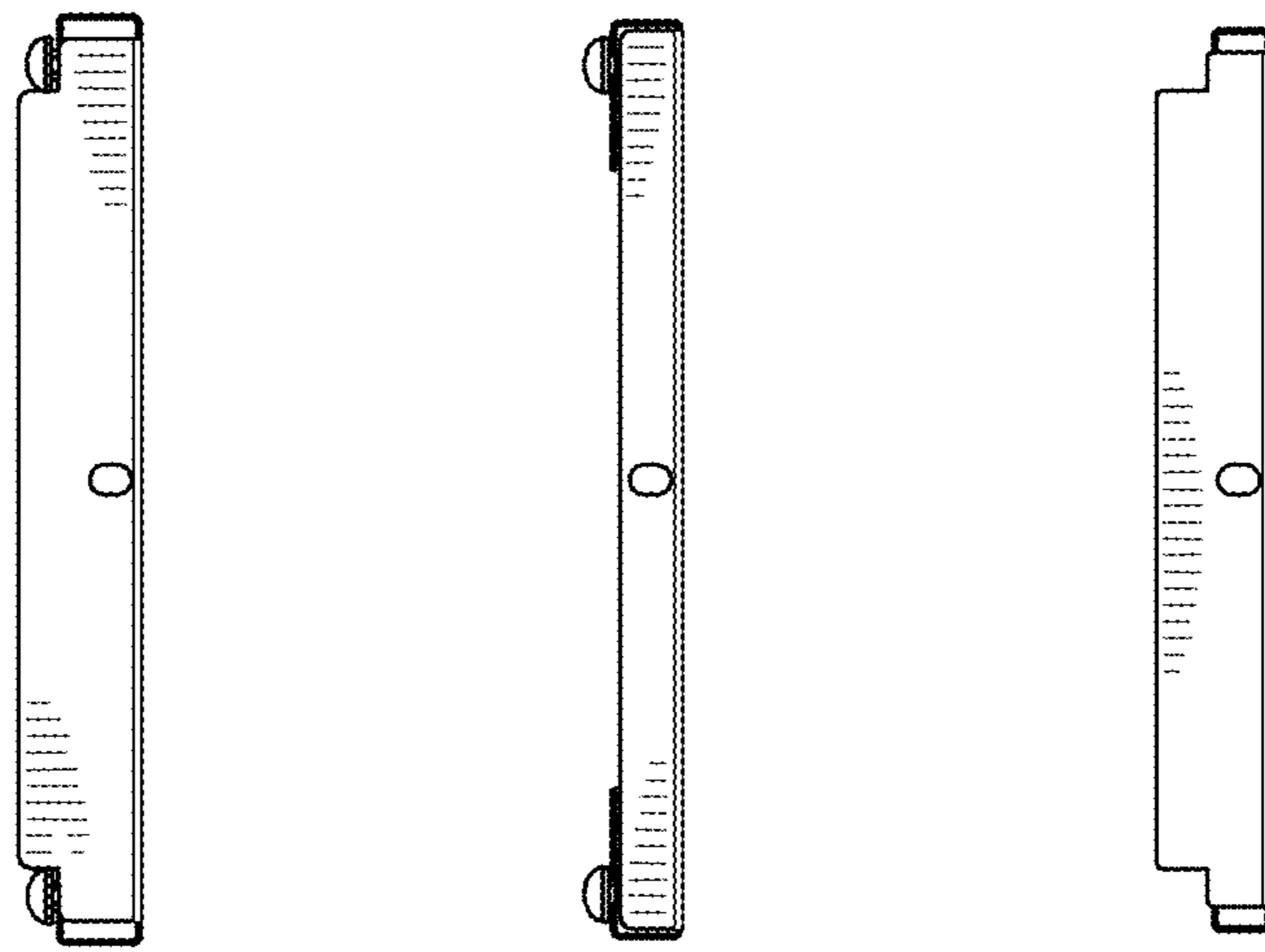


FIG. 11