



US00D954247S

(12) **United States Design Patent** (10) **Patent No.:** **US D954,247 S**
Zhao (45) **Date of Patent:** **** Jun. 7, 2022**

(54) **BLADELESS FAN**
(71) Applicant: **MIDEA GROUP CO., LTD.**,
Guangdong (CN)
(72) Inventor: **Lei Zhao**, Guangdong (CN)
(73) Assignee: **MIDEA GROUP CO., LTD.**, Foshan
(CN)
(**) Term: **15 Years**
(21) Appl. No.: **35/511,219**
(22) Filed: **Nov. 3, 2020**

D722,374 S * 2/2015 Lewis D23/332
D728,092 S * 4/2015 Poulton D23/370
D728,769 S * 5/2015 Dyson D23/370
D729,376 S * 5/2015 McPherson D23/370
D729,377 S * 5/2015 Chen D23/378
D744,630 S * 12/2015 Ying D23/378
D768,280 S * 10/2016 Peet D23/370
D783,140 S * 4/2017 Poulton D23/370
D888,219 S * 6/2020 Peet D23/370
D923,166 S * 6/2021 Zhao D23/370
D923,767 S * 6/2021 Oram D23/356
D930,140 S * 9/2021 Fu D23/370
D939,072 S * 12/2021 Fu D23/370
2014/0147297 A1 * 5/2014 Iyer F04D 29/5826
417/158

* cited by examiner

(80) **Hague Agreement Data**
Int. Filing Date: **Nov. 3, 2020**
Int. Reg. No.: **DM/212263**
Int. Reg. Date: **Nov. 3, 2020**
Int. Reg. Pub. Date: **Jan. 29, 2021**

Primary Examiner — Natasha Vujcic
(74) *Attorney, Agent, or Firm* — Morgan, Lewis &
Bockius LLP

(30) **Foreign Application Priority Data**
Aug. 26, 2020 (CN) 202030493568.8

(57) **CLAIM**

The ornamental design for a bladeless fan, as shown and described.

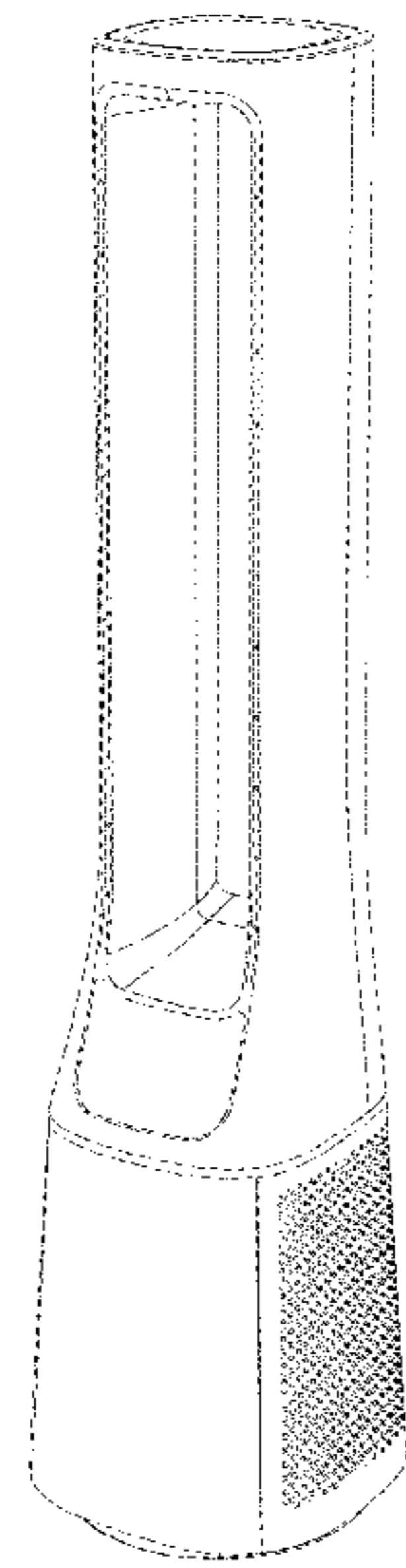
(51) **LOC (13) Cl.** **23-04**
(52) **U.S. Cl.**
USPC **D23/370**
(58) **Field of Classification Search**
USPC D23/370–385, 411–414; D13/179
CPC F04D 25/088; F04D 25/06; F04D 29/38;
F04D 29/522; F04D 29/5853; F04D
29/326; F01P 5/02
See application file for complete search history.

DESCRIPTION

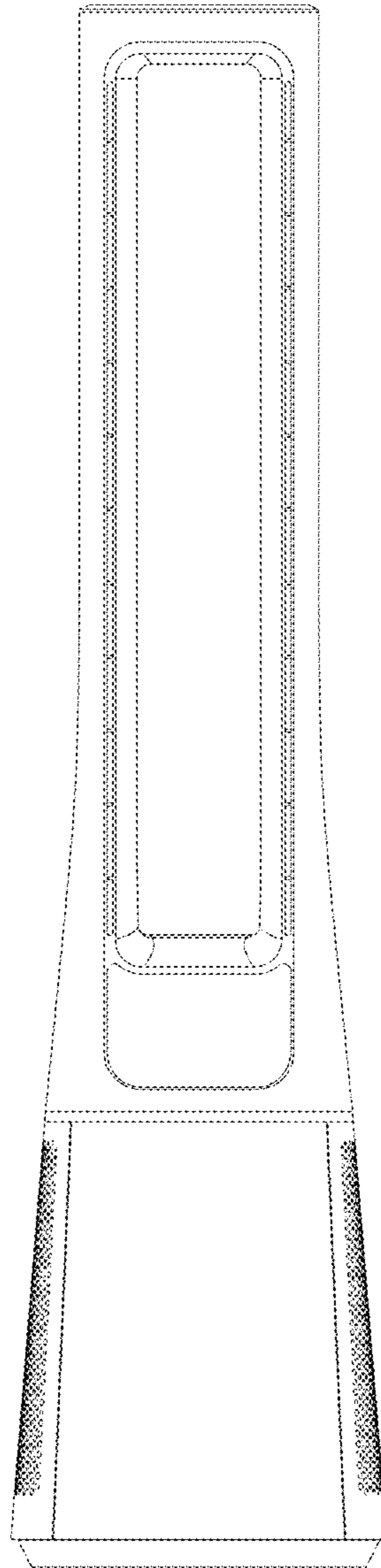
- 1. Bladeless fan
- 1.1 : Front
- 1.2 : Back
- 1.3 : Left
- 1.4 : Right
- 1.5 : Top
- 1.6 : Bottom
- 1.7 : Perspective

(56) **References Cited**
U.S. PATENT DOCUMENTS
D638,114 S * 5/2011 Li D23/370
D705,415 S * 5/2014 Lo D23/370

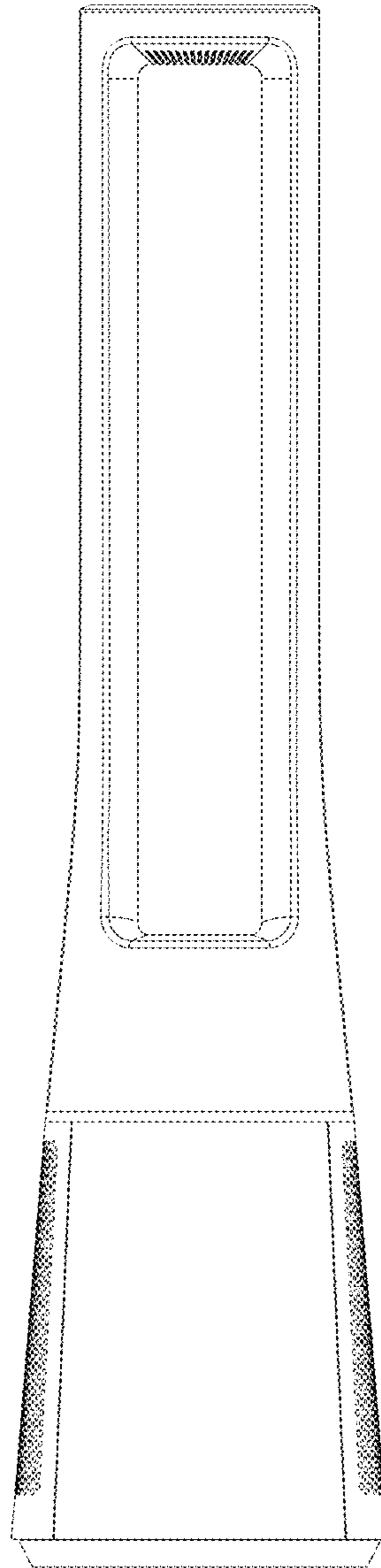
1 Claim, 7 Drawing Sheets



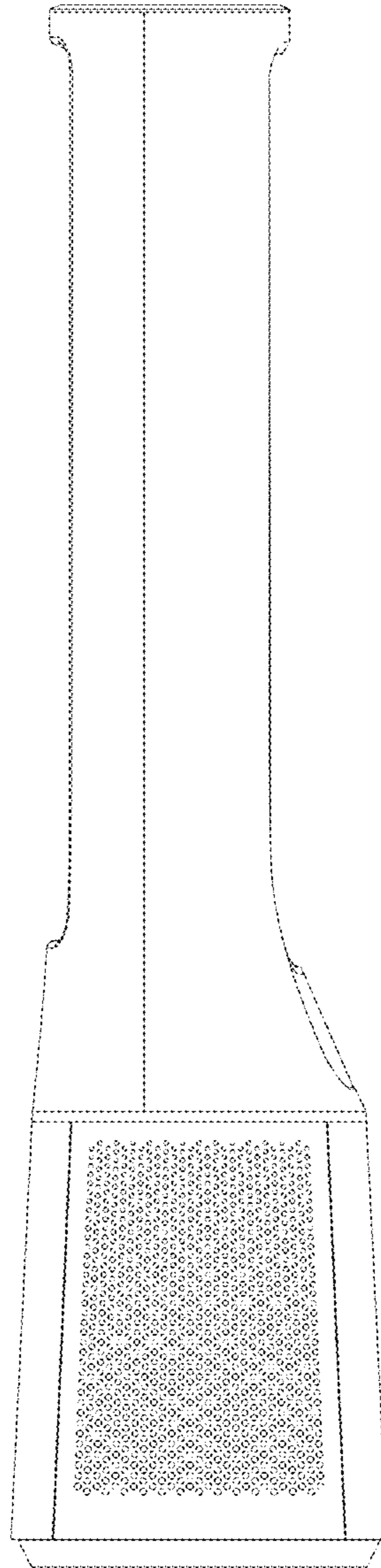
1.1



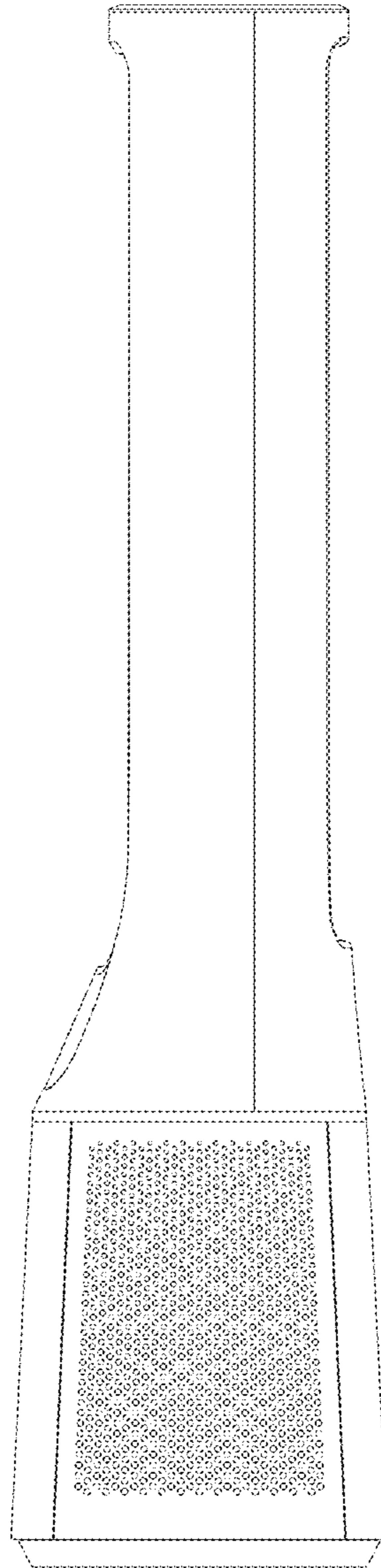
1.2



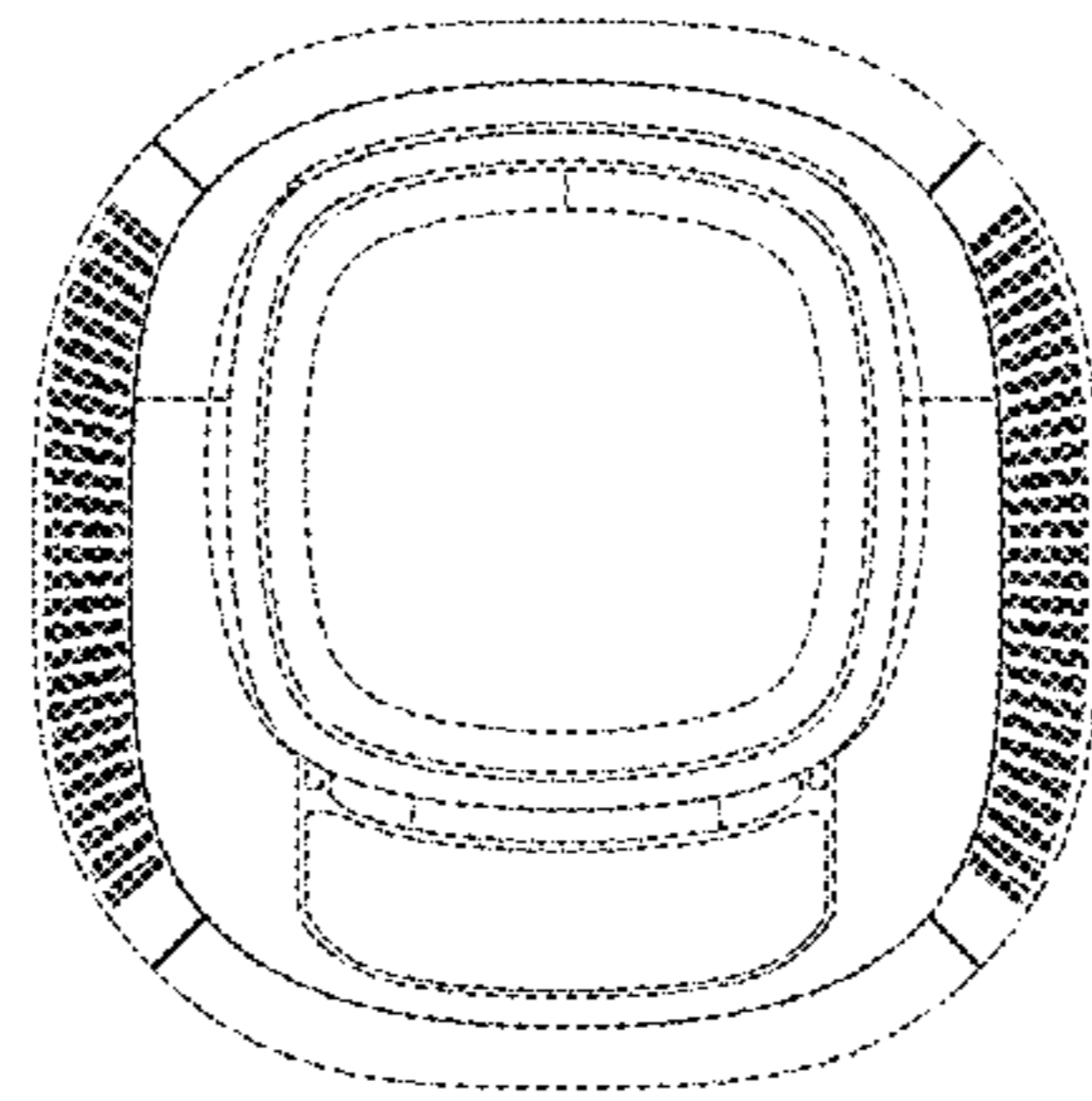
1.3



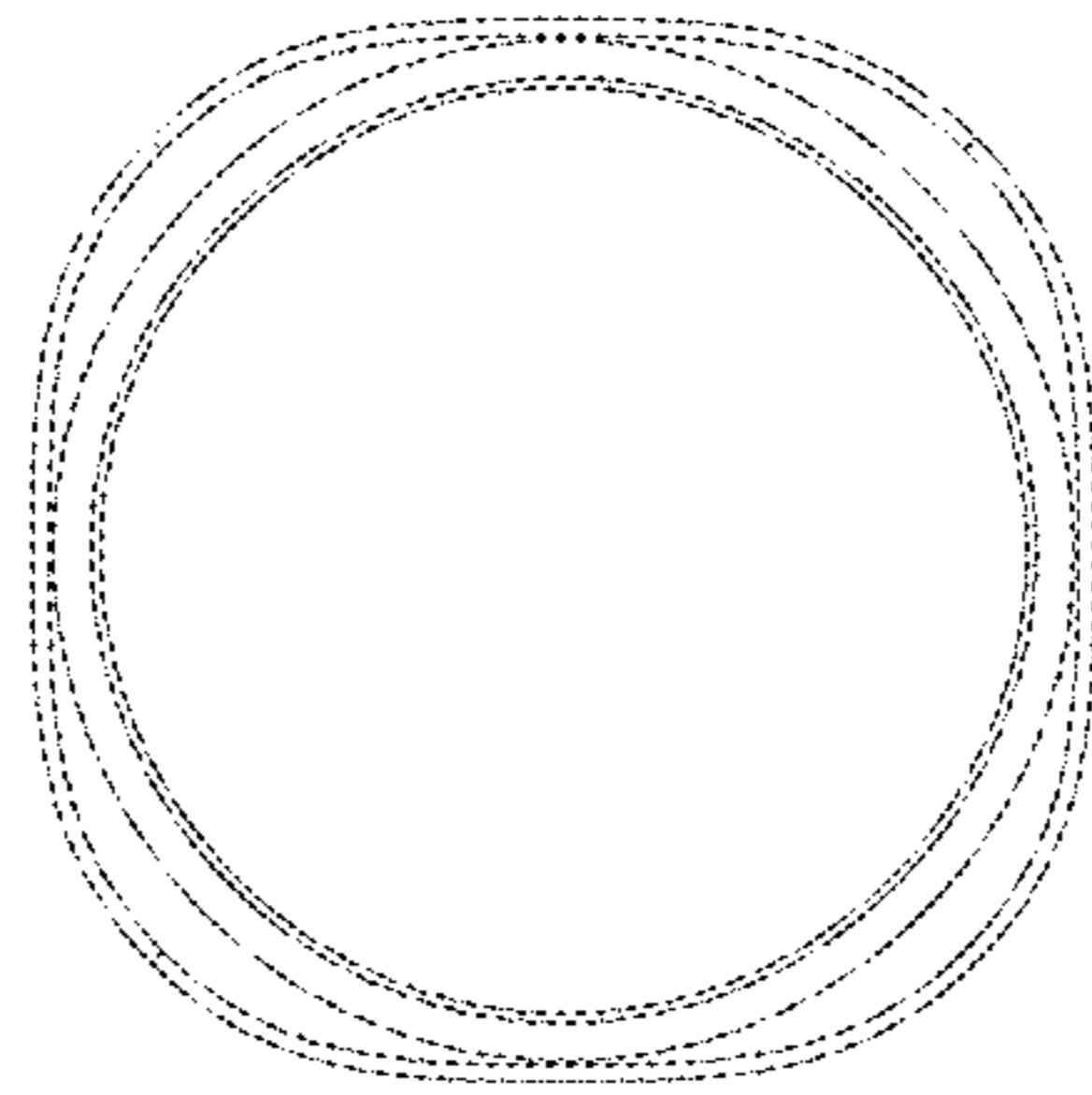
1.4



1.5



1.6



1.7

