



US00D954246S

(12) **United States Design Patent**
Ediger et al.

(10) **Patent No.:** **US D954,246 S**
(45) **Date of Patent:** **** Jun. 7, 2022**

- (54) **FAN**
- (71) Applicant: **Vornado Air LLC**, Andover, KS (US)
- (72) Inventors: **Glen Ediger**, North Newton, KS (US);
Gregory Pease, Andover, KS (US);
Brian Cartwright, Wichita, KS (US);
Cooper Phillips, Wichita, KS (US)
- (73) Assignee: **Vornado Air, LLC**, Andover, KS (US)
- (**) Term: **15 Years**
- (21) Appl. No.: **29/688,658**
- (22) Filed: **Apr. 23, 2019**
- (51) **LOC (13) Cl.** **23-04**
- (52) **U.S. Cl.**
USPC **D23/370**
- (58) **Field of Classification Search**
USPC D23/314, 351, 353, 354, 364, 366,
D23/370-376, 378, 381, 383, 385, 388,
D23/393, 395, 411, 412, 332, 333, 335,
D23/337
CPC G06F 1/203; F04D 25/08; F04D 29/4246;
F04D 25/088; F04D 29/388; F04D 29/34;
F21V 33/0096
See application file for complete search history.

D291,594 S *	8/1987	Norman	D23/366
D309,776 S *	8/1990	Rudolph	D23/385
D320,648 S *	10/1991	Velazquez	D23/335
D352,774 S *	11/1994	Godfrey	D23/335
D367,925 S *	3/1996	Smilo	D23/370
D370,969 S *	6/1996	Ikeda	D23/370
D380,043 S *	6/1997	Chiu	D23/332
D382,048 S *	8/1997	Bennett	D23/332
D382,950 S *	8/1997	Kruger	D23/332
5,660,605 A *	8/1997	Chan	B01D 46/0005 96/19
D402,359 S *	12/1998	Wang	D23/328
D425,978 S *	5/2000	Cunning	D23/353
D430,661 S *	9/2000	Doczy	D23/351
D434,131 S *	11/2000	Fok	D23/381
D437,397 S *	2/2001	Ching	D23/335
9,501,111 B1 *	11/2016	Huang	F04D 29/601
D884,858 S *	5/2020	Zhang	D23/333
D902,375 S *	11/2020	Lauzon	D23/385
2011/0262278 A1 *	10/2011	Fizer	F04D 29/34 416/220 R

* cited by examiner

Primary Examiner — Sharon S Oum

(57) **CLAIM**

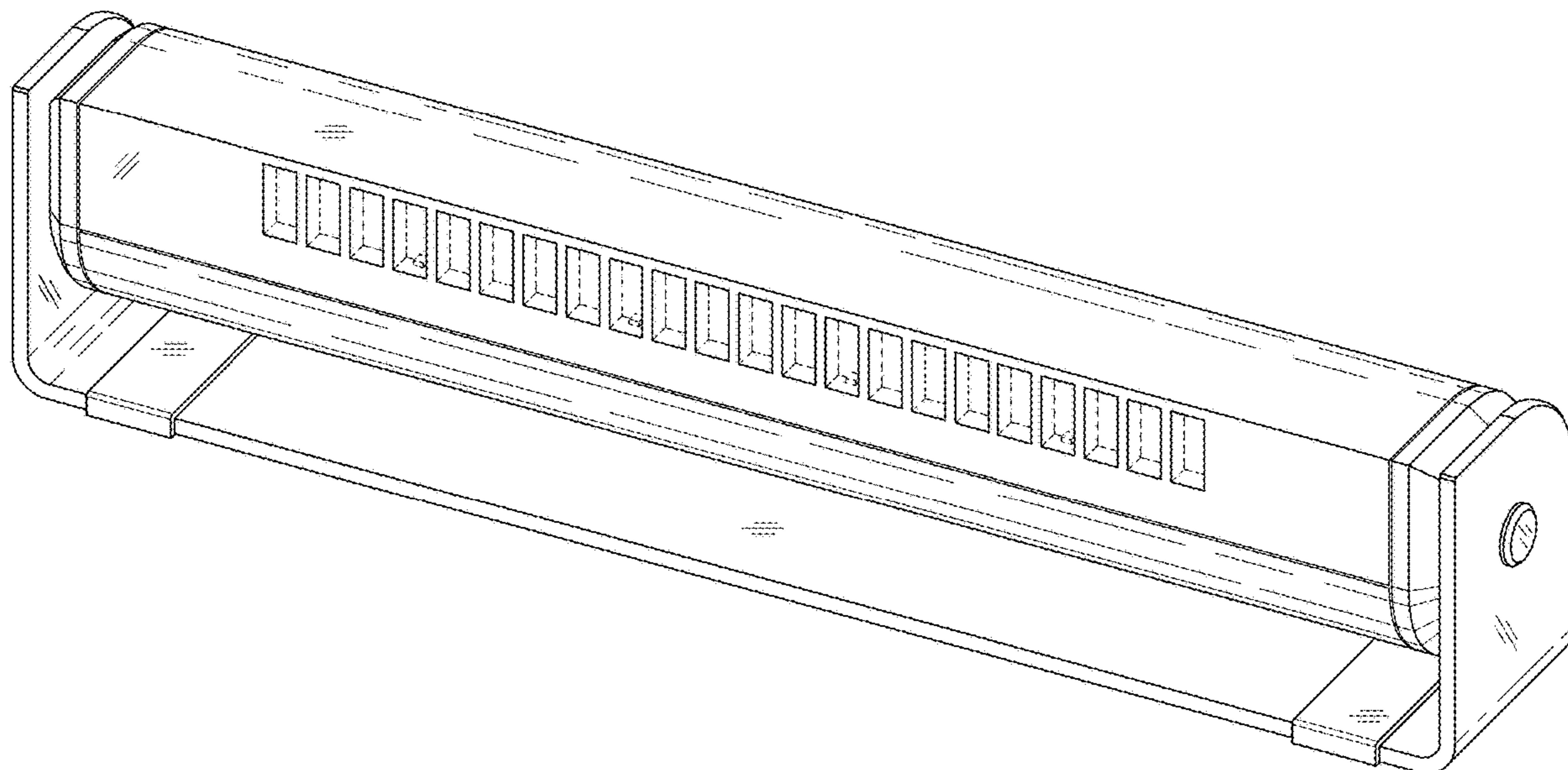
The ornamental design for a fan, as shown and described.

DESCRIPTION

FIG. 1 is a left, front, top perspective view of a fan in accordance with the present invention;
 FIG. 2 is an elevation view of the front thereof;
 FIG. 3 is an elevation view of the rear thereof;
 FIG. 4 is an elevation view of the left side thereof;
 FIG. 5 is an elevation view of the right side thereof;
 FIG. 6 is a top plan view thereof;
 FIG. 7 is a bottom plan view thereof; and,
 FIG. 8 is right, front, bottom perspective view thereof.
 The broken lines illustrate portions of the fan that form no part of the claimed design.

1 Claim, 5 Drawing Sheets

- (56) **References Cited**
U.S. PATENT DOCUMENTS
D178,228 S * 7/1956 Essman et al. D23/333
D196,406 S * 9/1963 White D23/385
D219,588 S * 12/1970 Laupot D23/370
D241,442 S * 9/1976 Whitbread D23/383
4,037,079 A * 7/1977 Armbruster A47G 1/02
219/219
D265,122 S * 6/1982 Townsend D23/335
D279,704 S * 7/1985 Tofte D23/314
D290,997 S * 7/1987 Utsuki D23/342



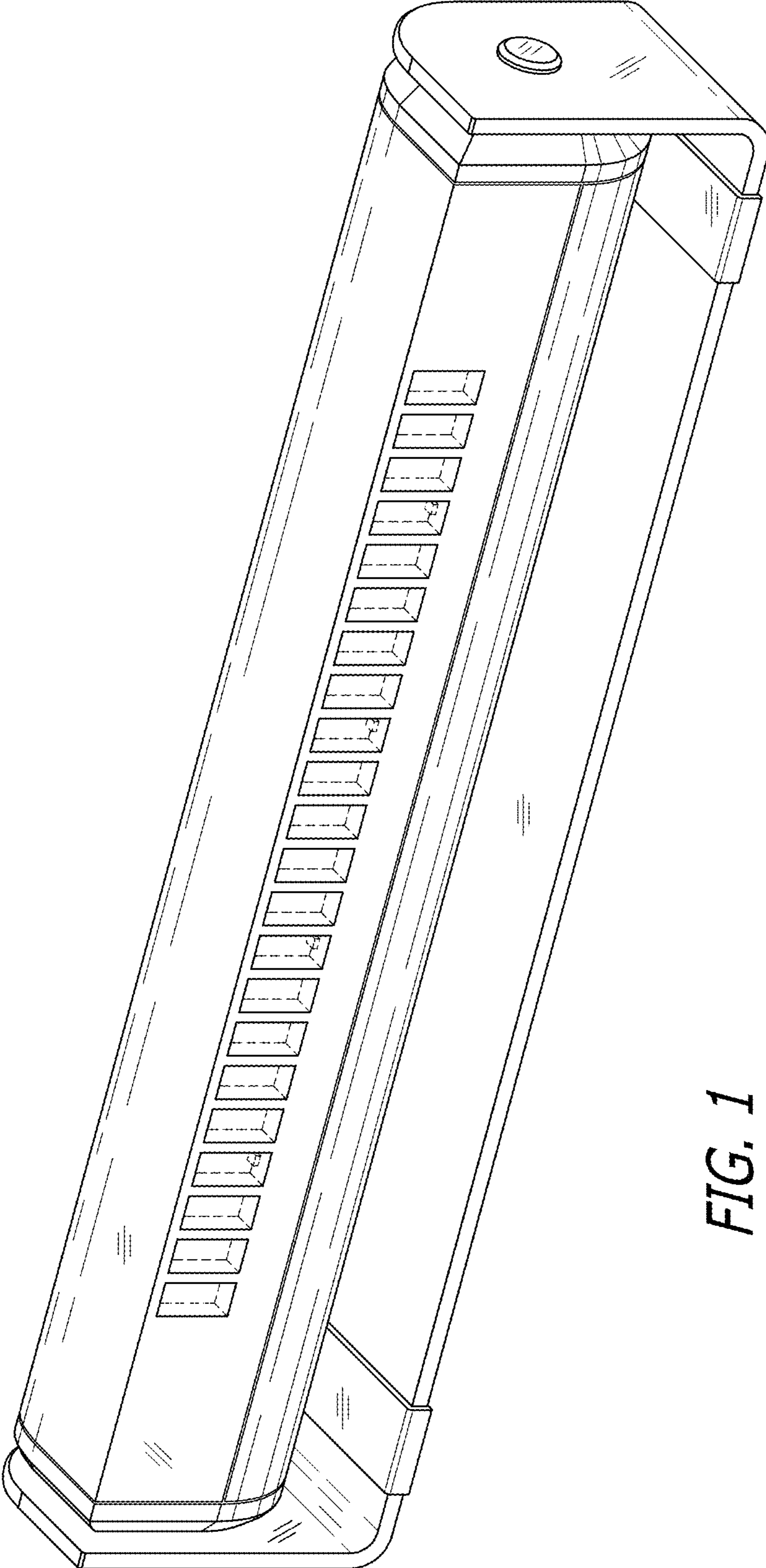


FIG. 1

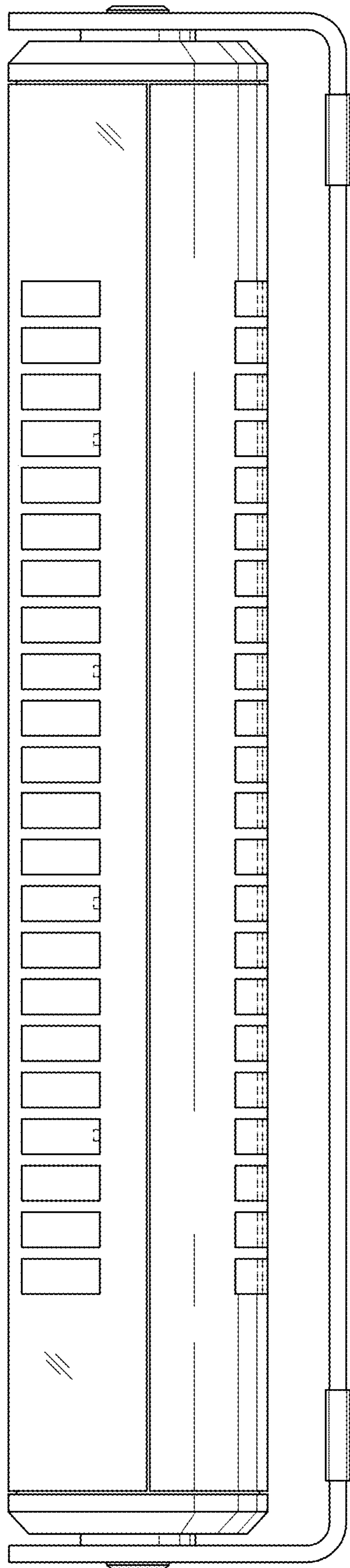


FIG. 2

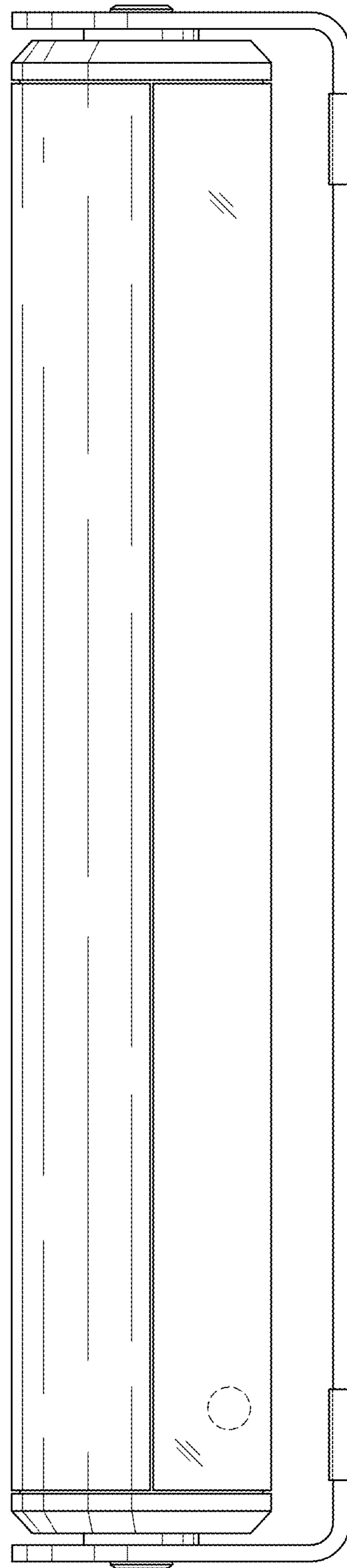


FIG. 3

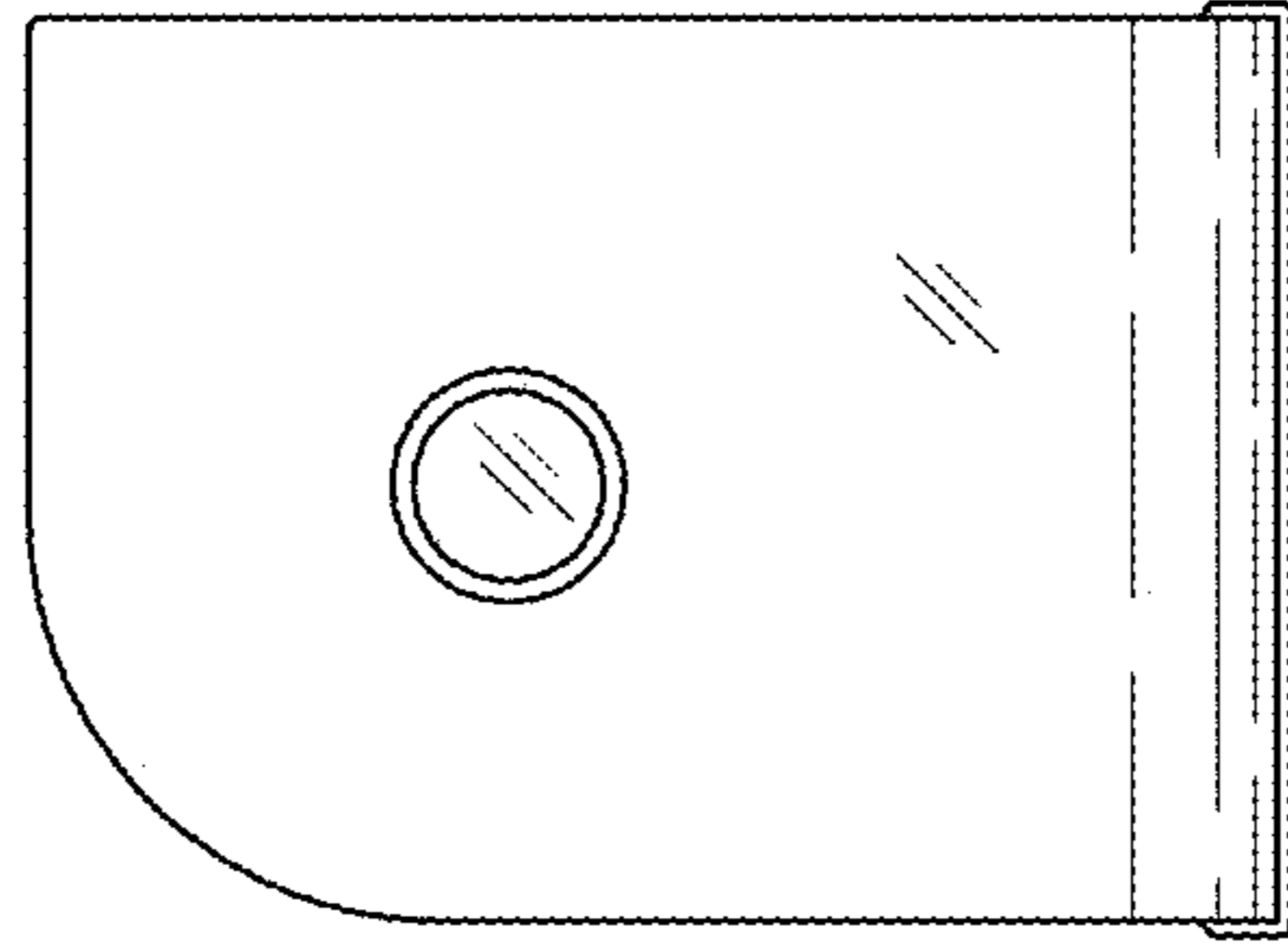


FIG. 5

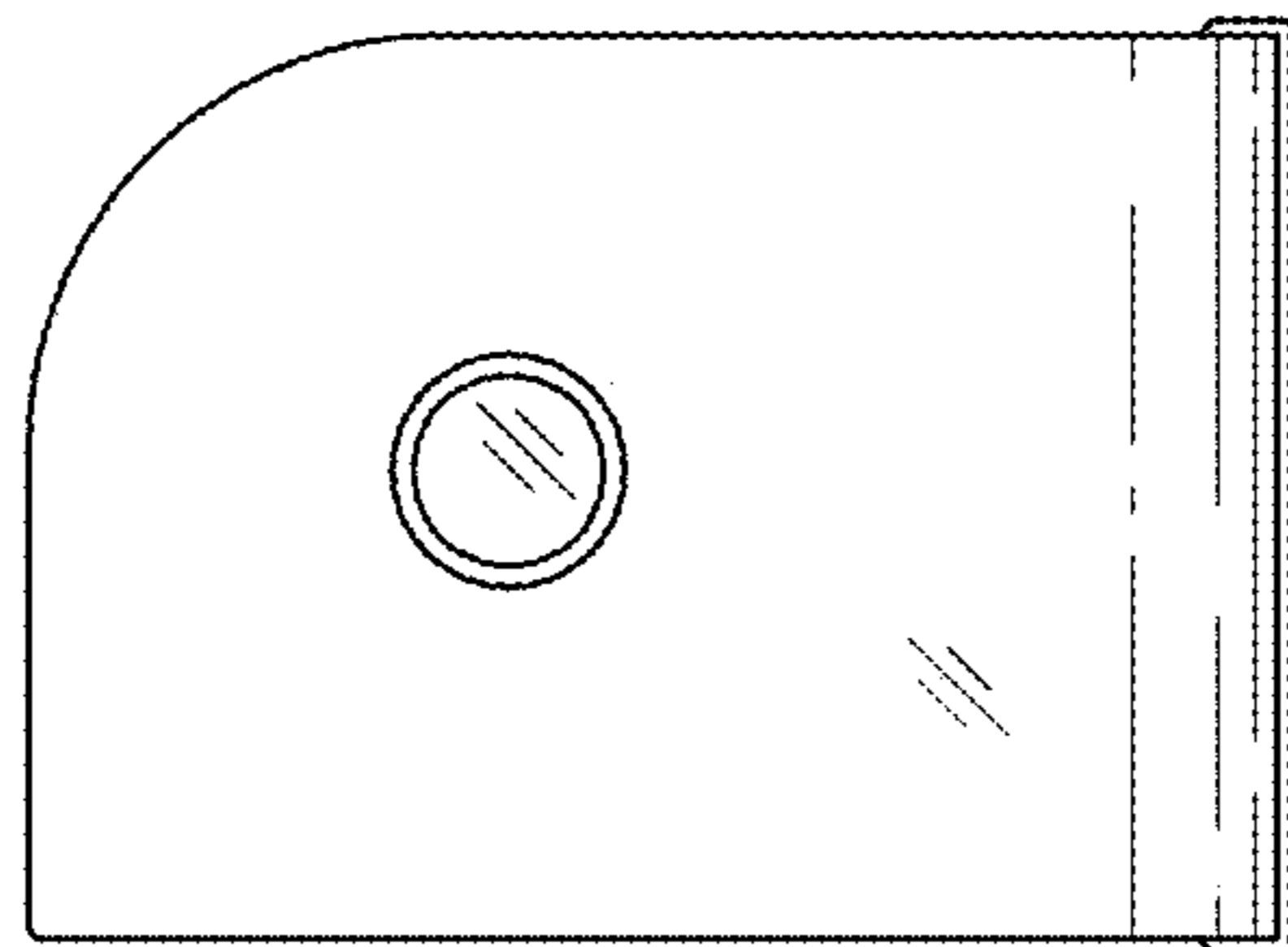


FIG. 4

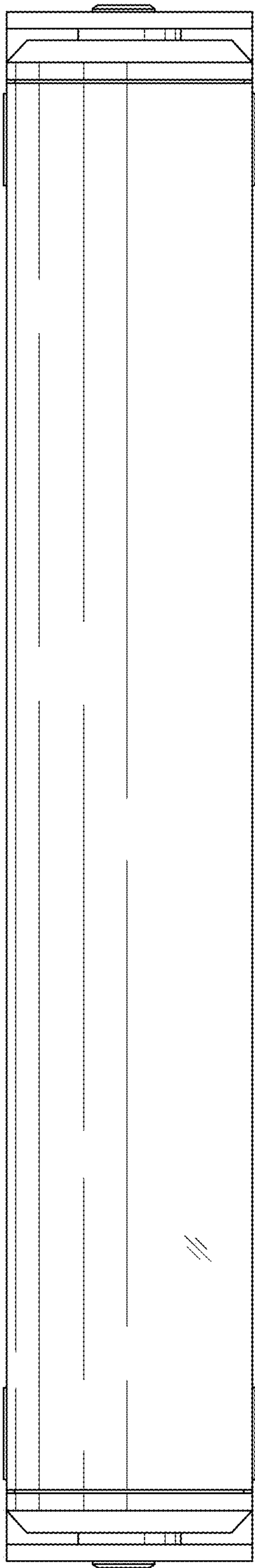


FIG. 6

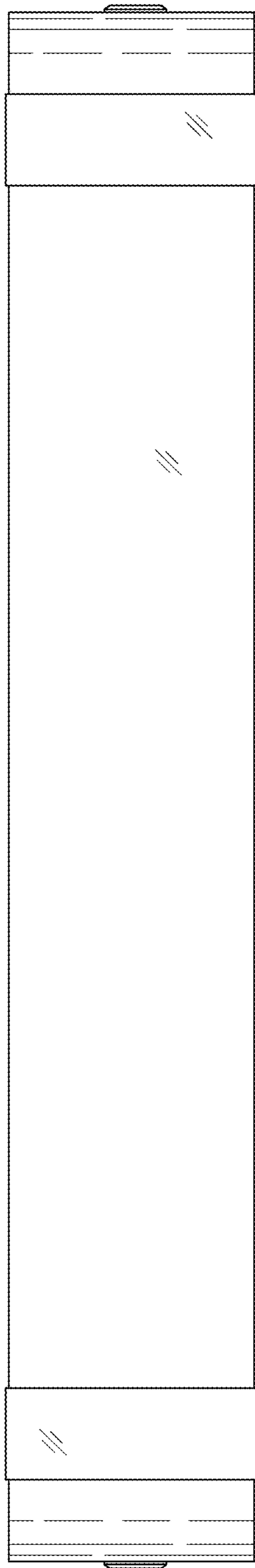


FIG. 7

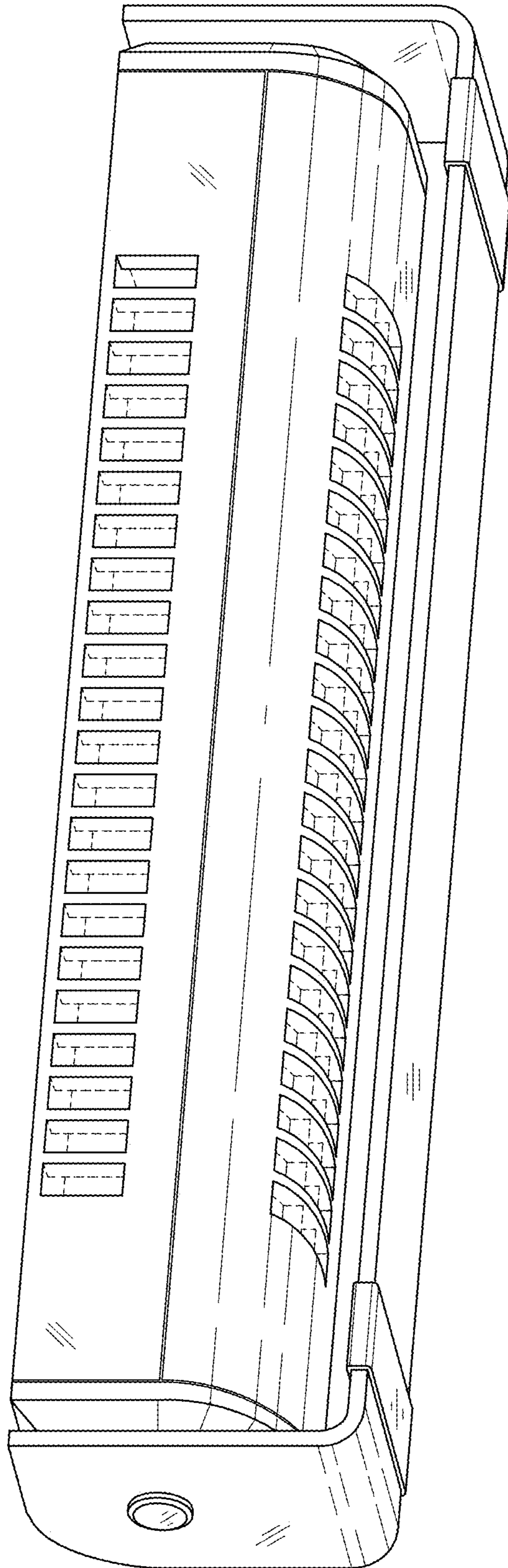


FIG. 8