



US00D954244S

(12) **United States Design Patent** (10) **Patent No.:** **US D954,244 S**
Lee (45) **Date of Patent:** **** Jun. 7, 2022**

(54) **AROMA DIFFUSER**
(71) Applicant: **PUZHEN LIFE CO., LTD**, Hong Kong (HK)
(72) Inventor: **Andy Lee**, Hong Kong (HK)
(73) Assignee: **PUZHEN LIFE CO., LTD**, Hong Kong (HK)
(**) Term: **15 Years**
(21) Appl. No.: **29/721,370**
(22) Filed: **Jan. 20, 2020**
(51) **LOC (13) Cl.** **23-04**
(52) **U.S. Cl.**
USPC **D23/366**
(58) **Field of Classification Search**
USPC D23/209, 355, 356, 358, 359, 360, 364, D23/365, 366, 367
CPC . A61L 9/03; A61L 9/012; A61L 9/015; A61L 9/037
See application file for complete search history.

(56) **References Cited**
U.S. PATENT DOCUMENTS
D731,334 S * 6/2015 Fiedler D10/70
D752,807 S * 3/2016 Young D27/163
D847,324 S * 4/2019 Zuo D23/366
D873,399 S * 1/2020 Nykowski D23/364
D882,747 S * 4/2020 Li D23/366
D884,614 S * 5/2020 Natsume D13/108
D886,767 S * 6/2020 Matarese D14/204
D898,024 S * 10/2020 Lai D14/371

D906,280 S * 12/2020 Matarese D14/204
D914,662 S * 3/2021 Unter Ecker D14/240
D925,720 S * 7/2021 Lee D23/366
D930,807 S * 9/2021 Lee D23/366
2019/0000064 A1* 1/2019 Luque Vera A61L 9/012
2019/0001096 A1* 1/2019 Pratt, Jr. A61M 16/1075
2021/0180827 A1* 6/2021 Lee B01D 29/0018

OTHER PUBLICATIONS

Smiley Daisy—The Hibiscus Essential Oil Diffuser [Dec. 29, 2021] found online [Dec. 29, 2021]—<https://store.smileydaisy.com/products/essential-oil-diffuser-by-smiley-daisy>.*

* cited by examiner

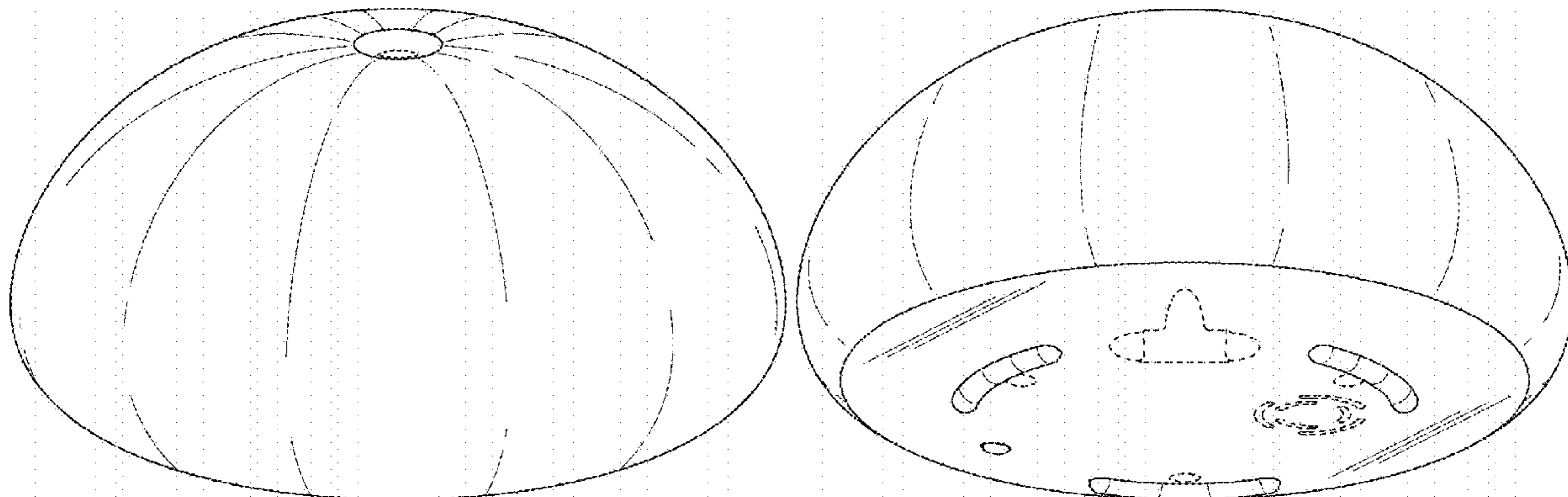
Primary Examiner — John A Voytek

(57) **CLAIM**
The ornamental design for an aroma diffuser, as shown and described.

DESCRIPTION

FIG. 1 is a front elevational view of an aroma diffuser showing my new design;
FIG. 2 is a rear elevational view thereof;
FIG. 3 is a left side view thereof;
FIG. 4 is a right side view thereof;
FIG. 5 is a top plan view thereof;
FIG. 6 is a bottom plan view thereof;
FIG. 7 is a top perspective view thereof; and,
FIG. 8 is a bottom perspective view thereof.
The broken lines in the drawings illustrate portions of the aroma diffuser which form no part of the claimed design.

1 Claim, 8 Drawing Sheets



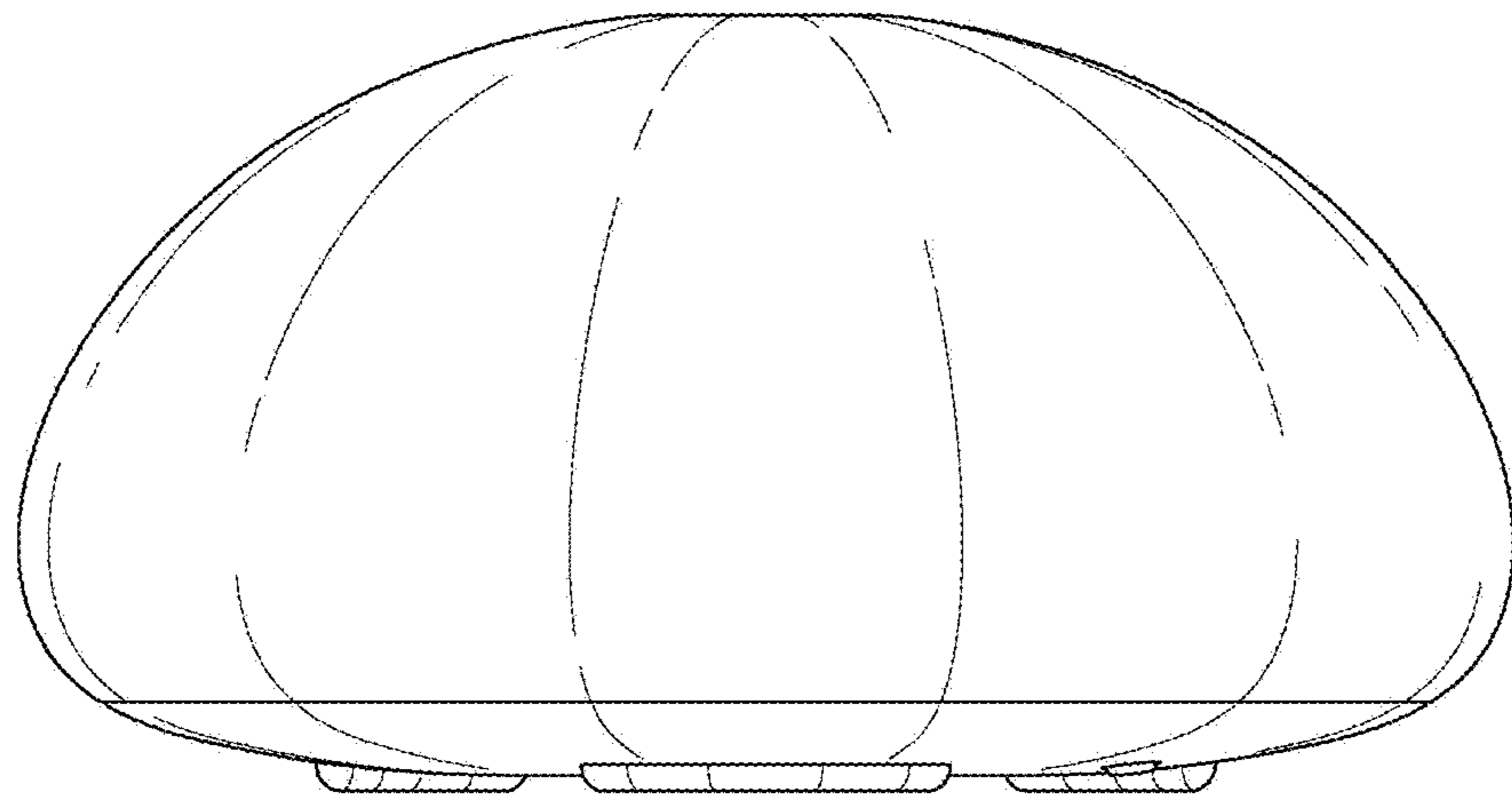


Fig. 1

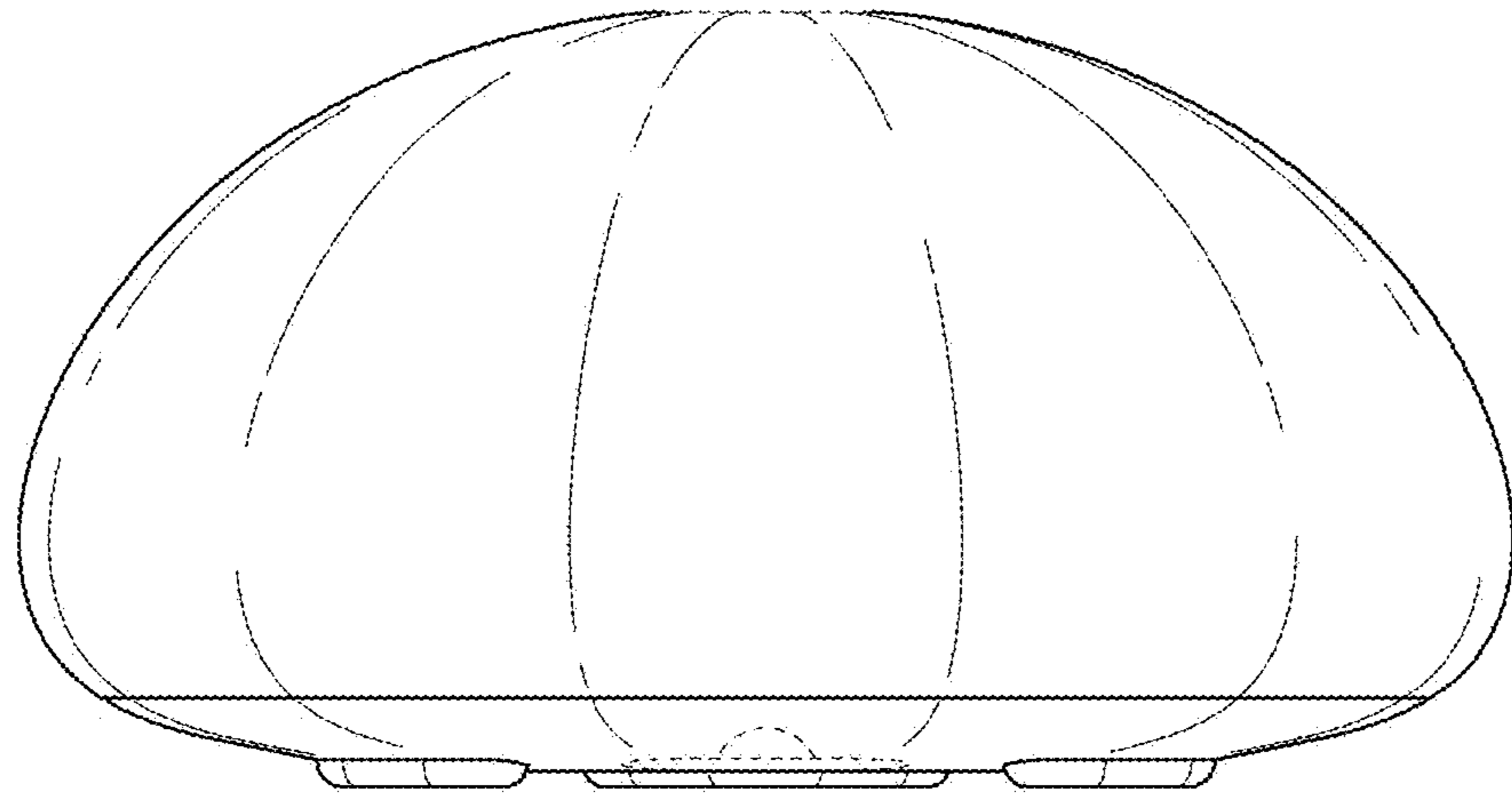


Fig. 2

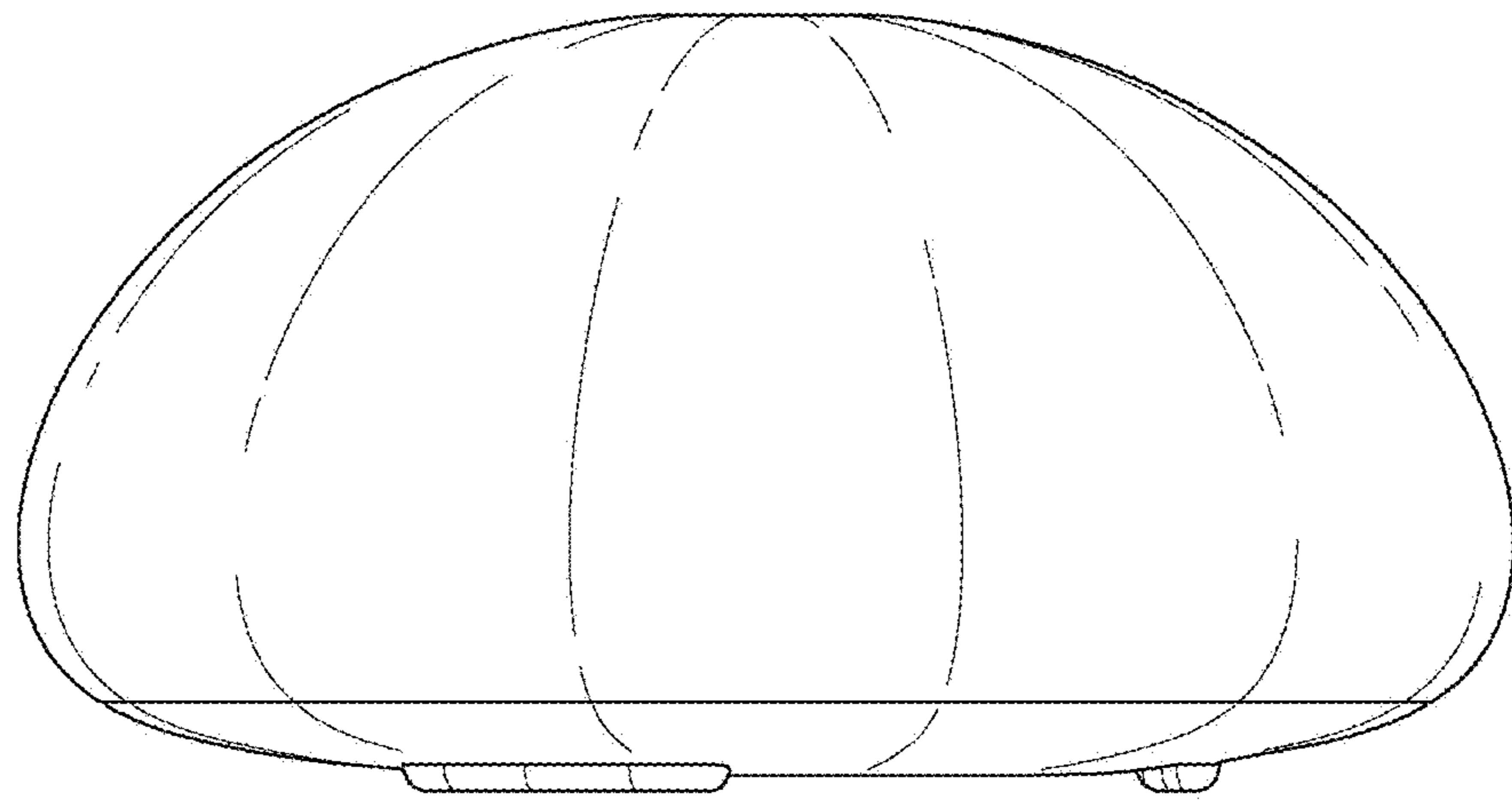


Fig. 3

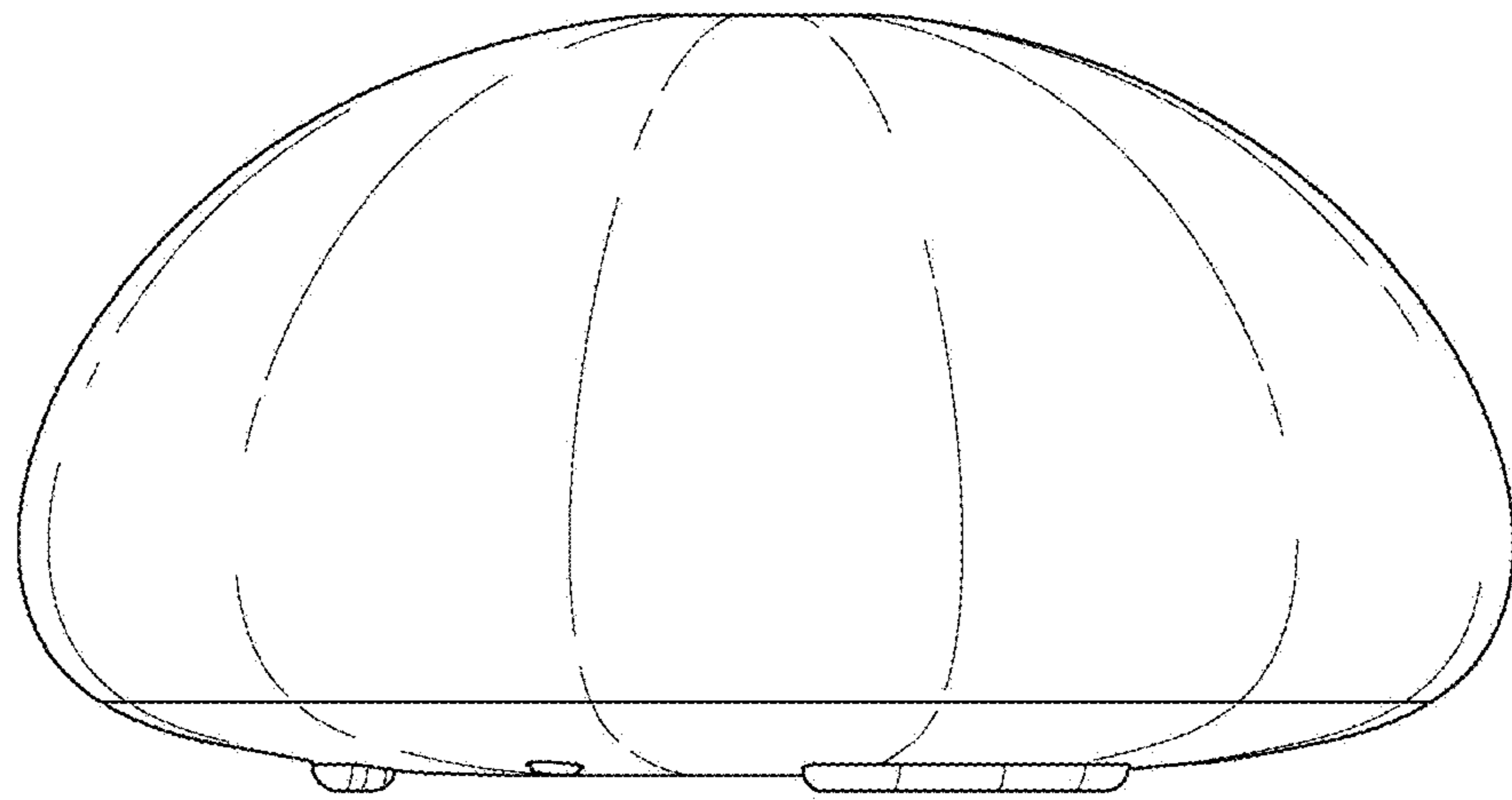


Fig. 4

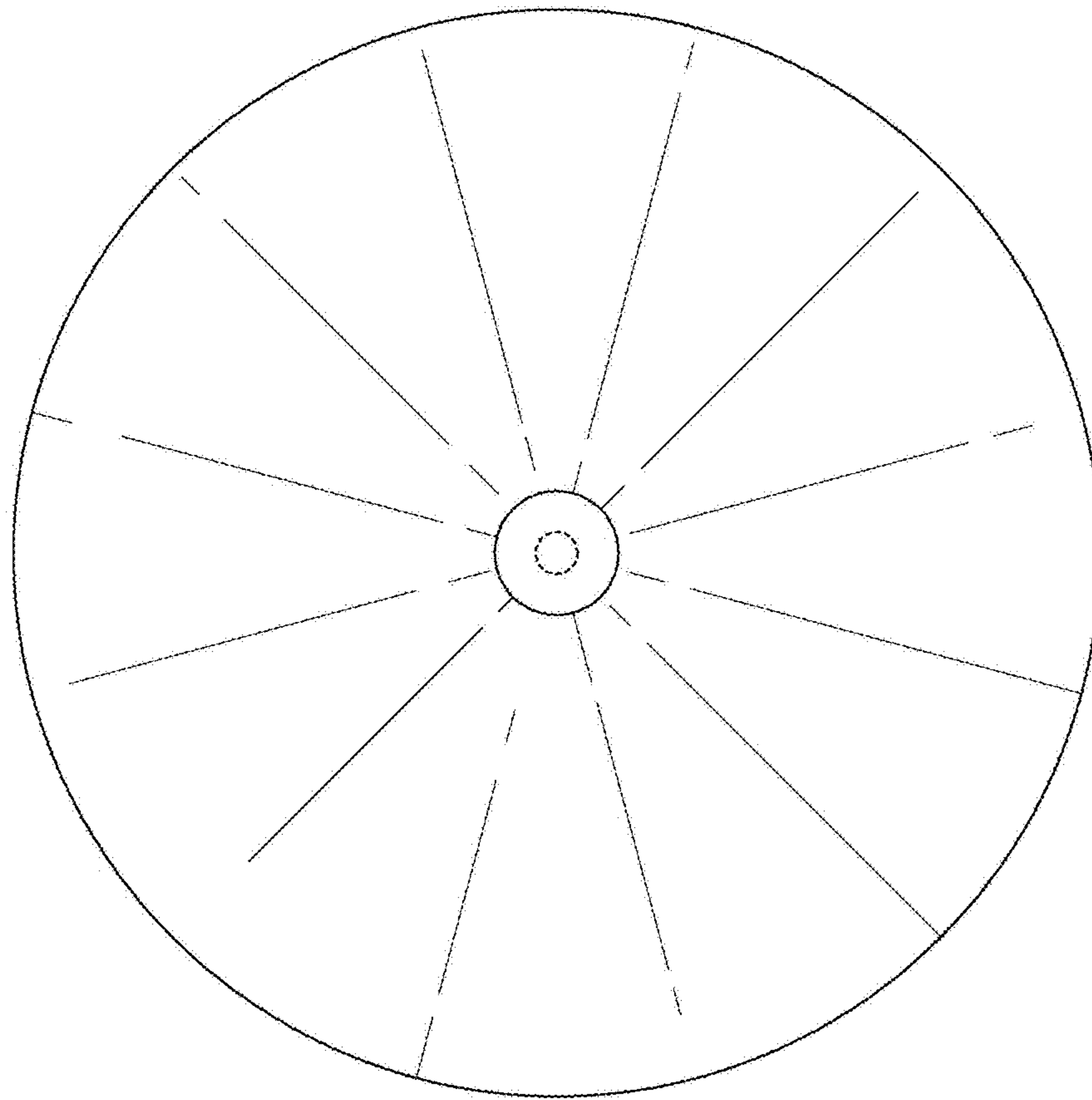


Fig. 5

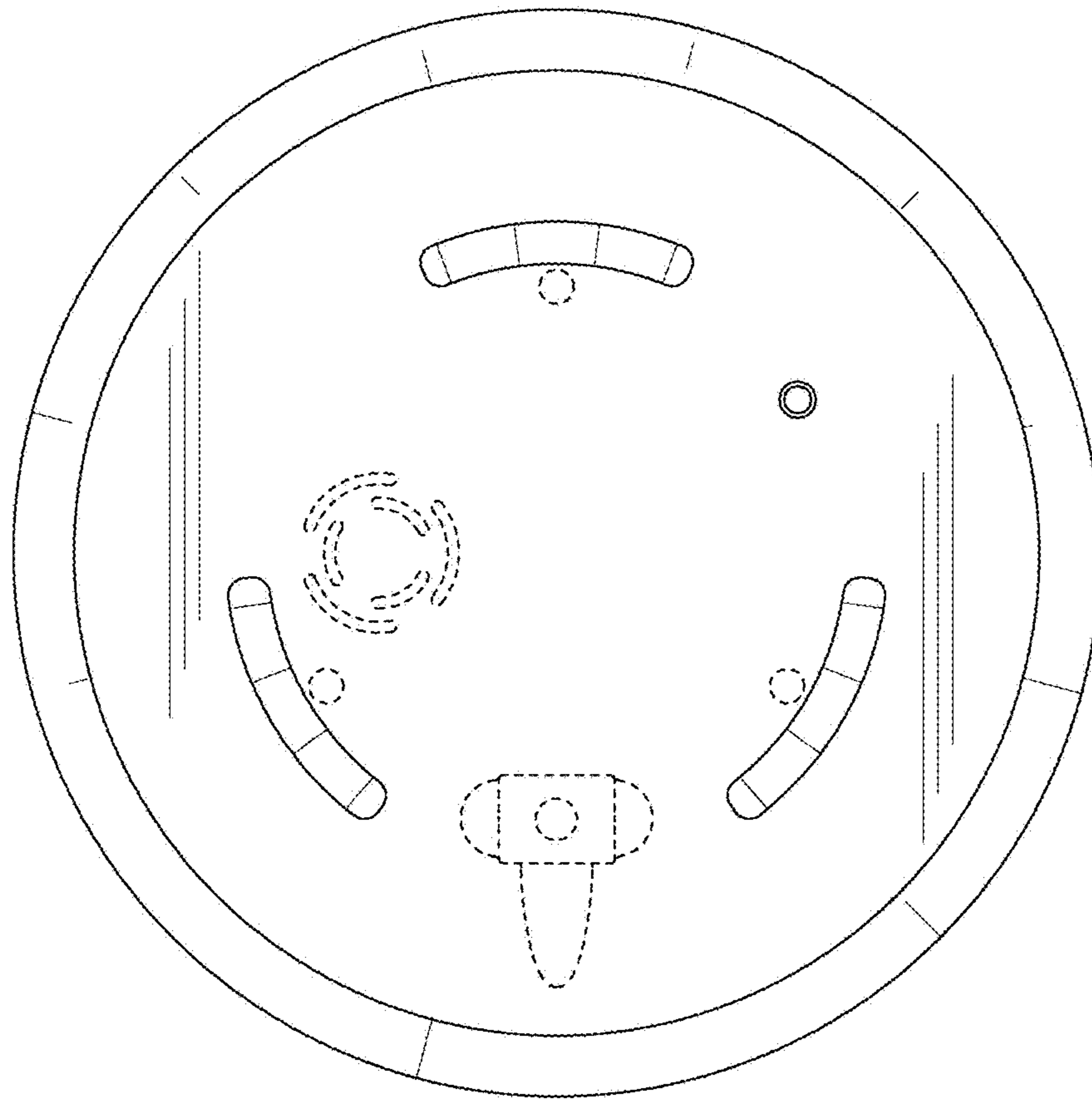


Fig. 6

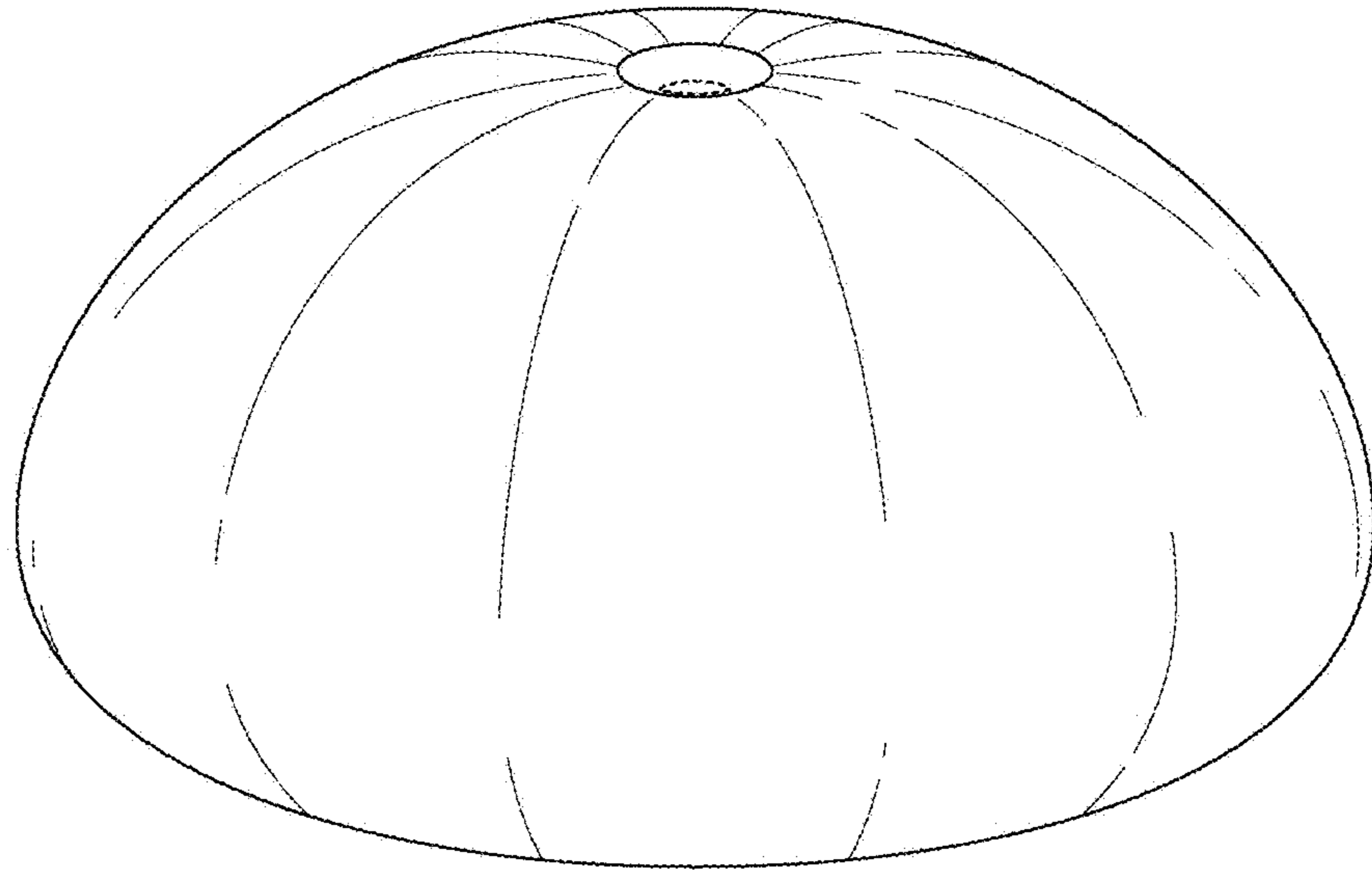


Fig. 7

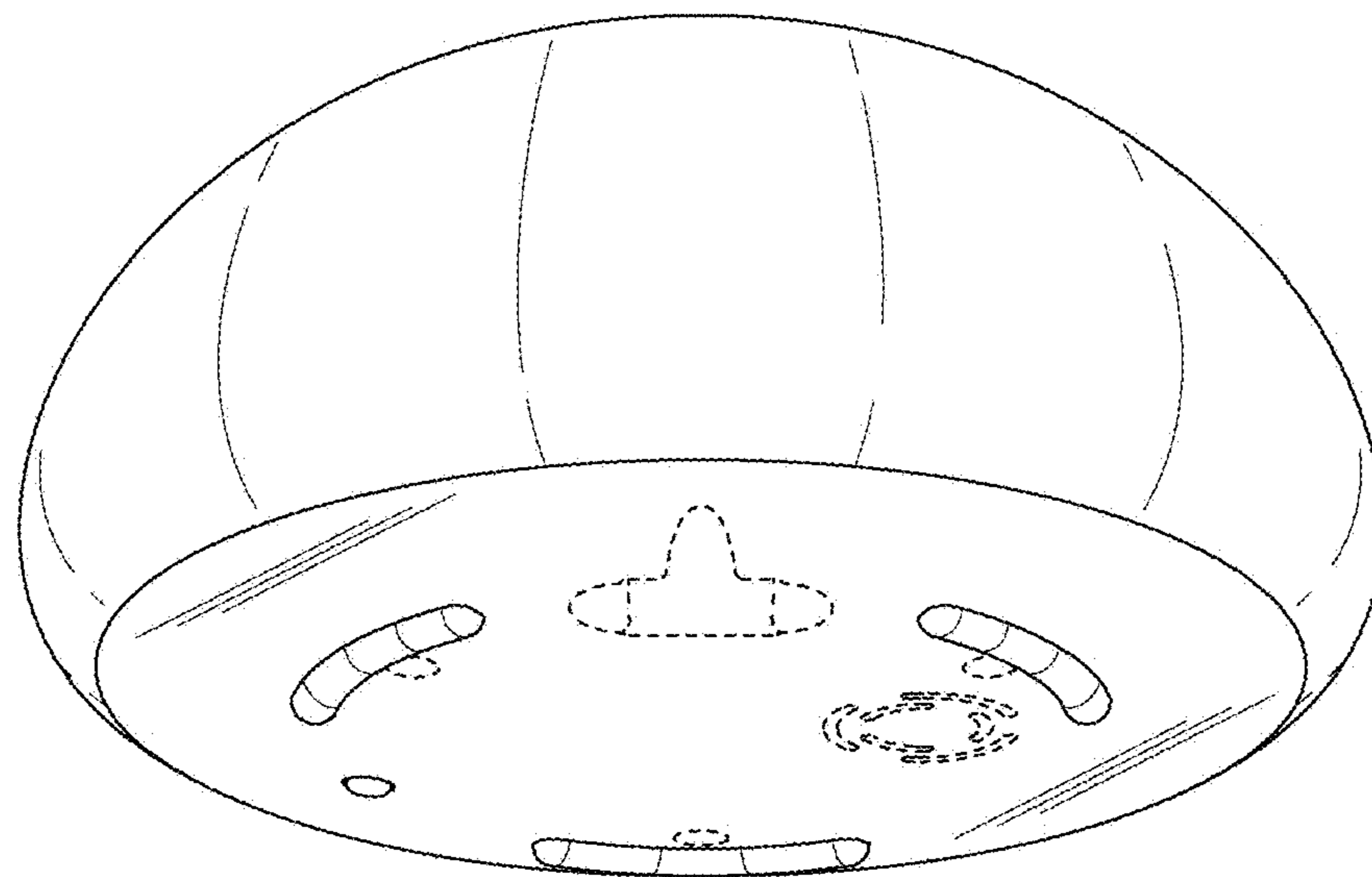


Fig. 8