



US00D954233S

(12) **United States Design Patent** (10) **Patent No.:** **US D954,233 S**
Chong et al. (45) **Date of Patent:** **** Jun. 7, 2022**

(54) **SINK**

FOREIGN PATENT DOCUMENTS

(71) Applicant: **Elkay Manufacturing Company**, Oak Brook, IL (US)

CN 201630233528 6/2016
CN 201830038078 * 1/2018

(Continued)

(72) Inventors: **Jonathan Chee Yeen Chong**, Chicago, IL (US); **Erik Lynch**, Downers Grove, IL (US)

OTHER PUBLICATIONS

U.S. Appl. No. 29/631,882, filed Jan. 3, 2018.

(73) Assignee: **ELKAY MANUFACTURING COMPANY**, Oak Brook, IL (US)

Primary Examiner — Samantha Wood

(74) *Attorney, Agent, or Firm* — Neal, Gerber & Eisenberg LLP

(**) Term: **15 Years**

(57) **CLAIM**

The ornamental design for a sink, as shown and described.

(21) Appl. No.: **29/698,158**

(22) Filed: **Jul. 15, 2019**

DESCRIPTION

Related U.S. Application Data

(62) Division of application No. 29/631,882, filed on Jan. 3, 2018, now Pat. No. Des. 861,837.

(51) **LOC (13) Cl.** **23-02**

(52) **U.S. Cl.**
USPC **D23/284**

(58) **Field of Classification Search**
USPC ... D23/270, 284, 286, 293.1, 303, 308, 285, D23/289, 499, 290, 287; D6/524, 641, D6/642

CPC ... E03C 1/12; E03C 1/18; E03C 1/181; E03C 1/182; E03C 1/184; E03C 1/186; A47K

(Continued)

FIG. 1 is a perspective view taken from the front, top, and right side of a sink in accordance with a first embodiment of our new design.

FIG. 2 is a top plan view of the sink of FIG. 1.

FIG. 3 is a bottom plan view of the sink of FIG. 1.

FIG. 4 is a left side elevation view of the sink of FIG. 1.

FIG. 5 is a right side elevation view of the sink of FIG. 1.

FIG. 6 is a front elevation view of the sink of FIG. 1.

FIG. 7 is a rear elevation view of the sink of FIG. 1.

FIG. 8 is a perspective view of taken from the front, top, and right side of a sink in accordance with a second embodiment of our new design.

FIG. 9 is a top plan view of the sink of FIG. 8.

FIG. 10 is a bottom plan view of the sink of FIG. 8.

FIG. 11 is a right side elevation view of the sink of FIG. 8.

FIG. 12 is a left side elevation view of the sink of FIG. 8.

FIG. 13 is a front elevation view of the sink of FIG. 8; and,

FIG. 14 is a rear elevation view of the sink of FIG. 8.

The broken lines shown depict portions of the sink that form no part of the claimed design.

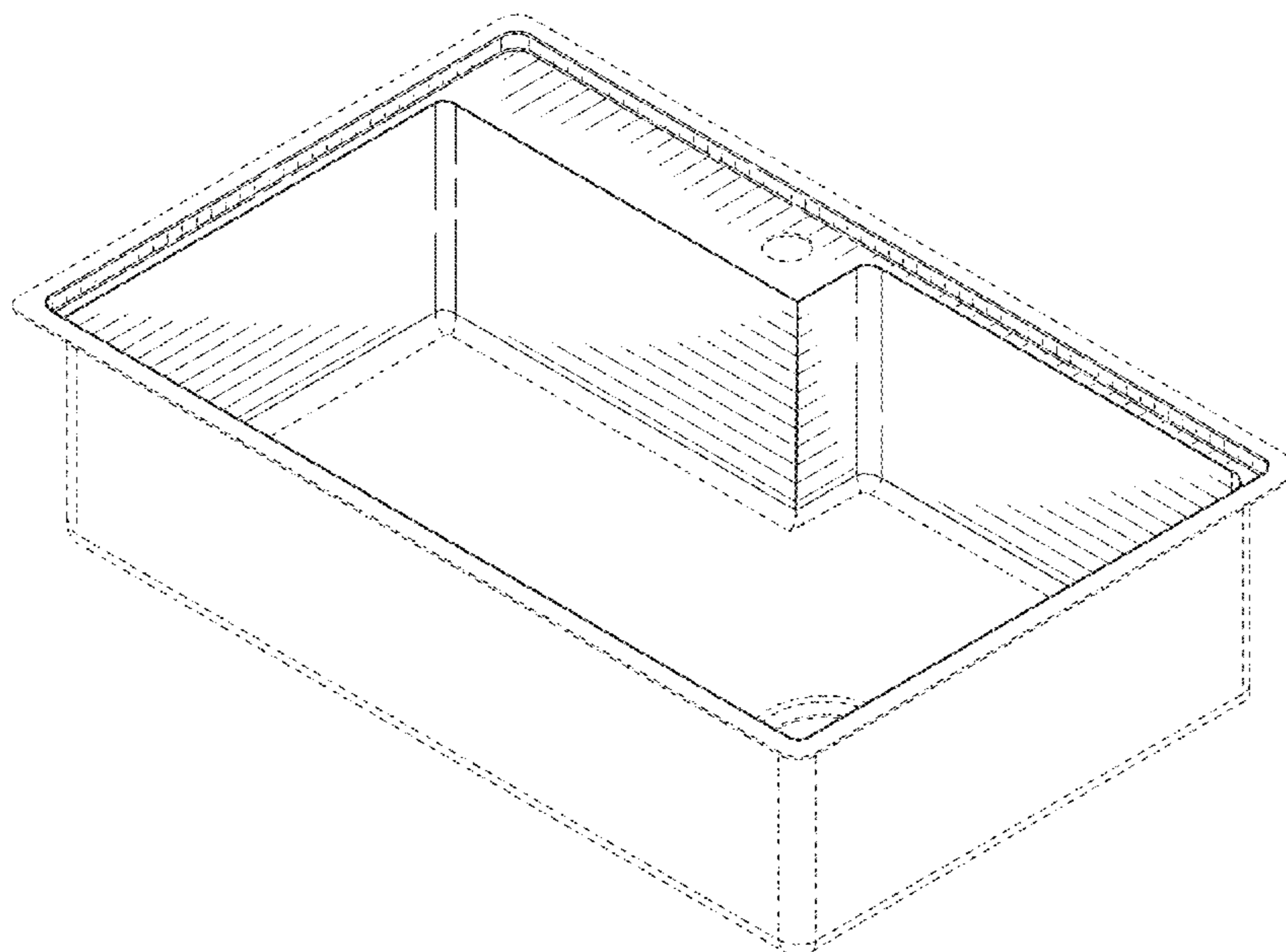
(56) **References Cited**

U.S. PATENT DOCUMENTS

D353,878 S 12/1994 Hauser, II
D353,879 S 12/1994 Hauser, II
D353,880 S 12/1994 Hauser, II

(Continued)

1 Claim, 8 Drawing Sheets



(58) **Field of Classification Search**

CPC 1/04; A47K 1/00; A47K 1/05; A47K 1/10;
 A47K 1/12; A47B 77/06; A47J 47/20

See application file for complete search history.

(56) **References Cited**

U.S. PATENT DOCUMENTS

D354,119	S	1/1995	Hauser, II	
D425,187	S *	5/2000	Adamavich	D23/284
D464,123	S *	10/2002	Paredes	D23/284
D484,956	S *	1/2004	Rachiele	D23/293.1
D501,541	S *	2/2005	Gordon	D23/284
D504,169	S	4/2005	Gross et al.	
D544,947	S *	6/2007	Taylor	D23/290
D545,408	S	6/2007	Plikuhn	
D548,311	S	8/2007	Mahon	
D552,222	S	10/2007	Tortorello	
D560,771	S *	1/2008	Kitzmler	D23/284
D586,444	S *	2/2009	Ziemann	D23/290
D603,484	S *	11/2009	Eilmus	D23/290
D610,659	S	2/2010	Booth	
D663,389	S	7/2012	Miller et al.	
D682,401	S	5/2013	Mustee et al.	
D694,377	S	11/2013	Mustee et al.	
D746,420	S	12/2015	Kurth et al.	
D799,648	S	10/2017	Chong	
D799,649	S	10/2017	Chong	
D816,197	S	4/2018	Chong et al.	
2012/0222211	A1 *	9/2012	Booth	E03C 1/186 4/619

FOREIGN PATENT DOCUMENTS

CN	201830330275	*	6/2018
KR	3020040020607		7/2004

* cited by examiner

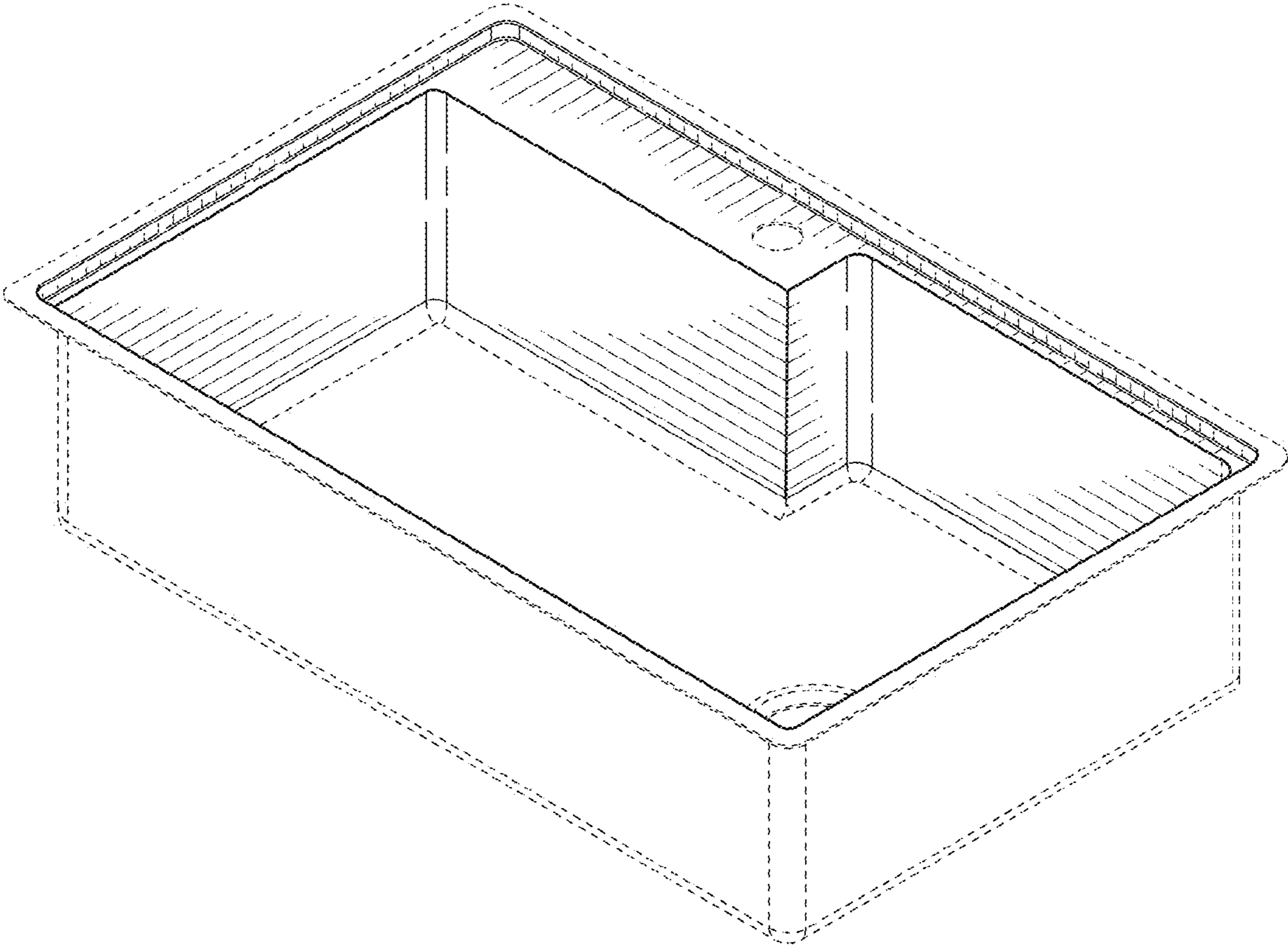


FIG. 1

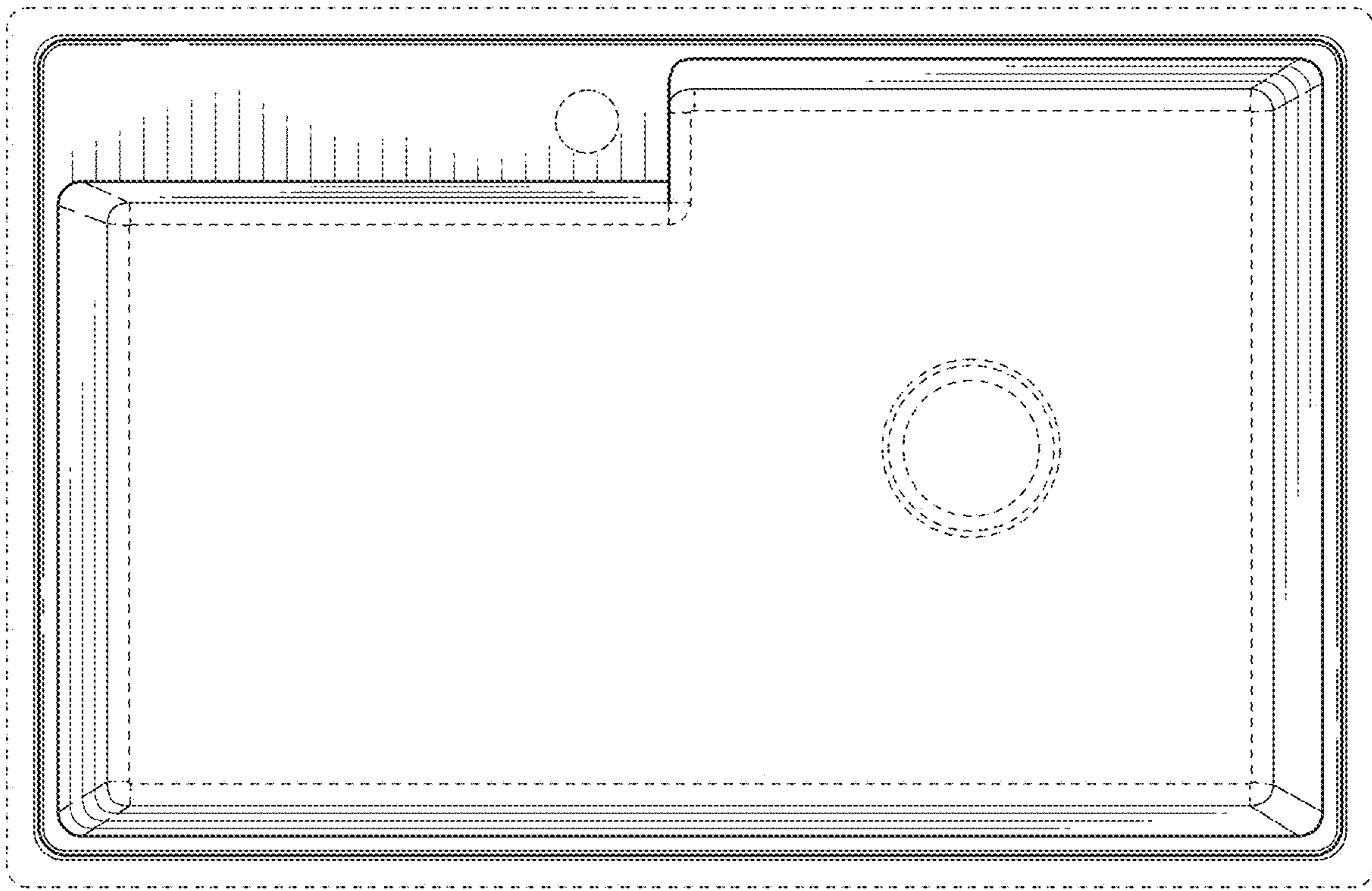


FIG. 2

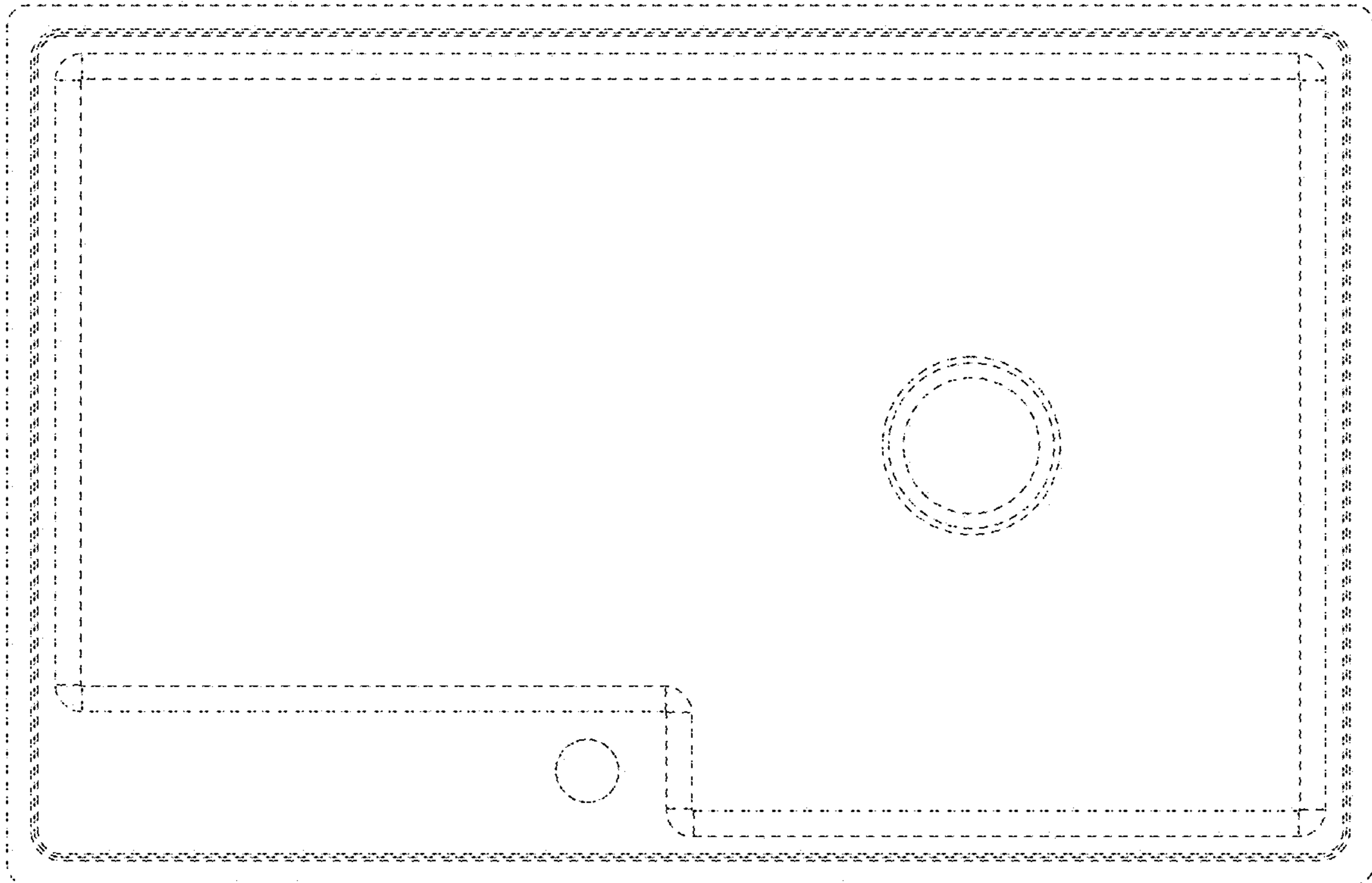


FIG. 3

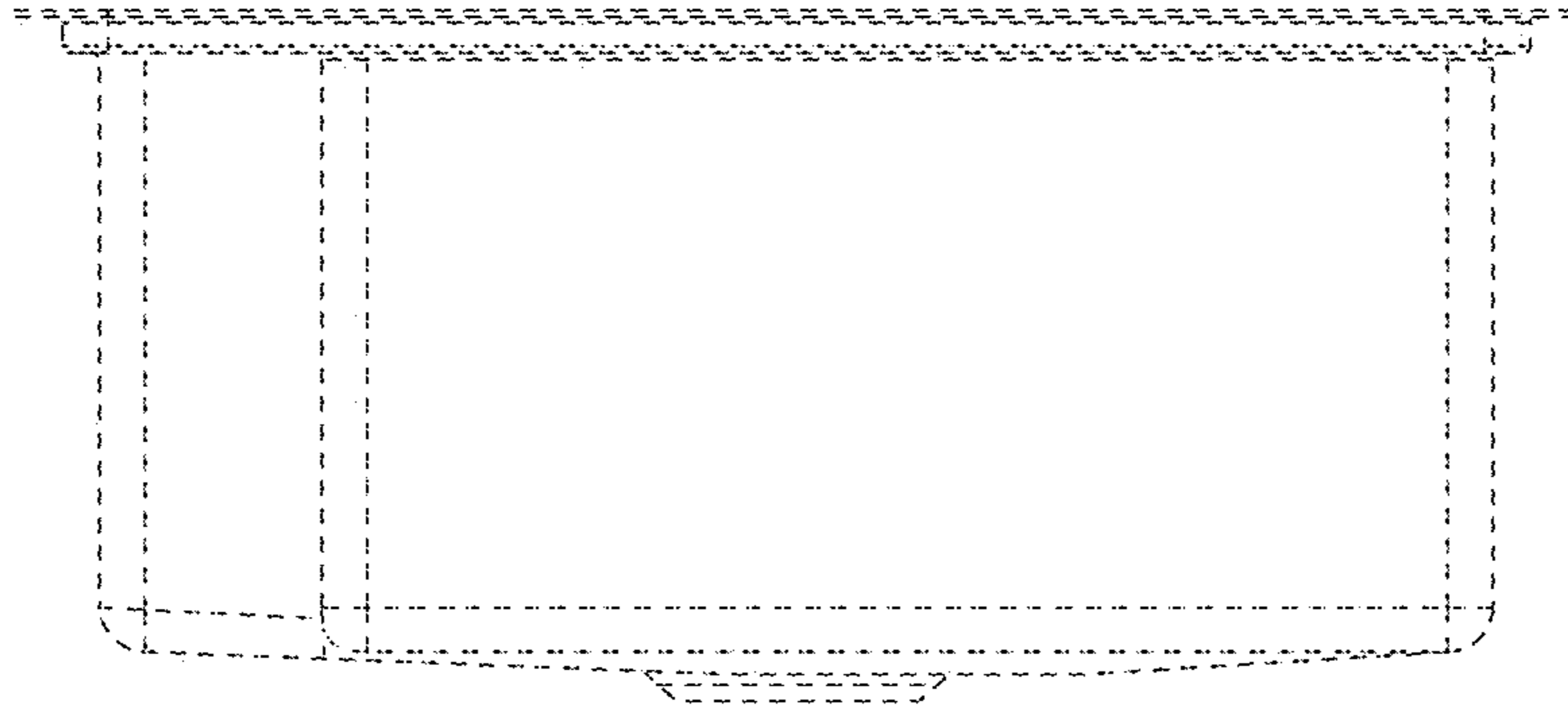


FIG. 4

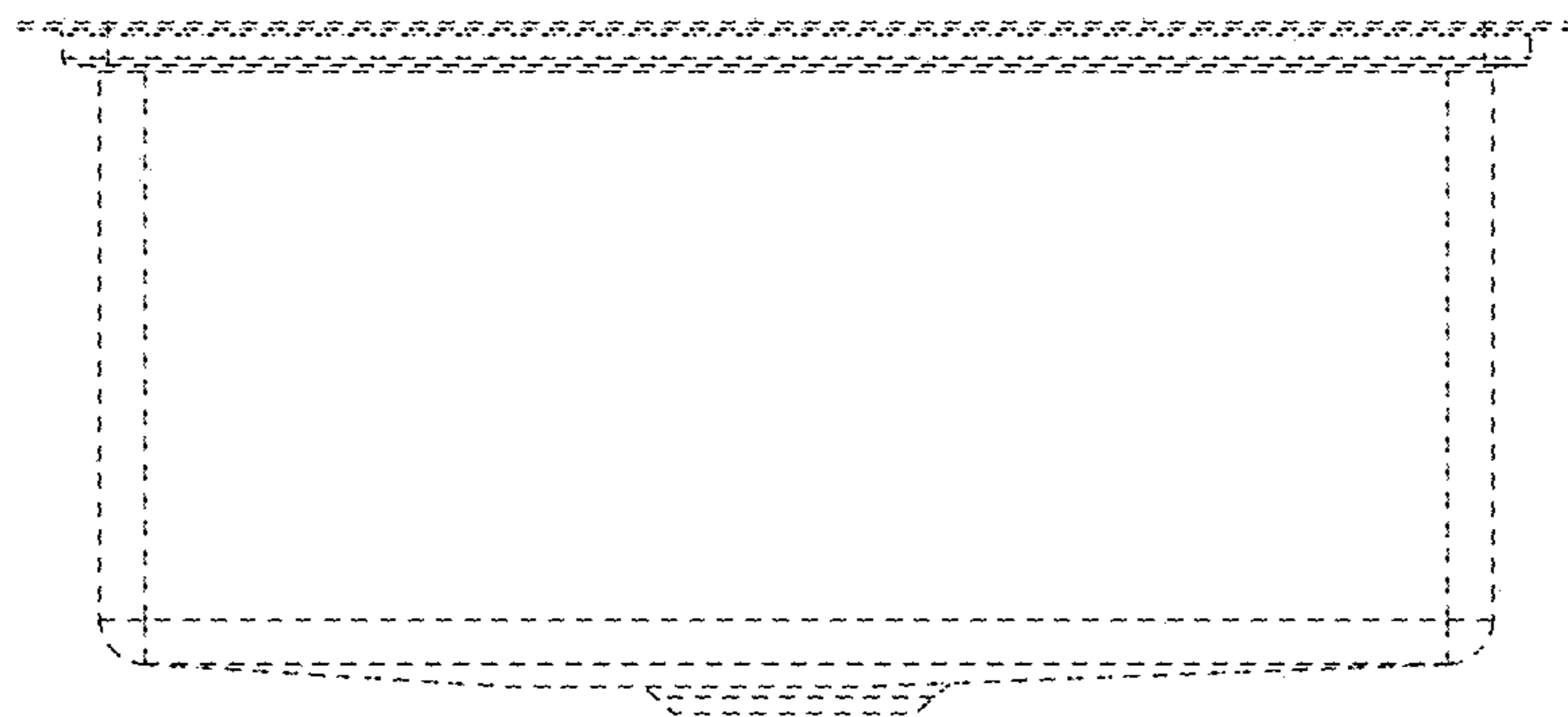


FIG. 5

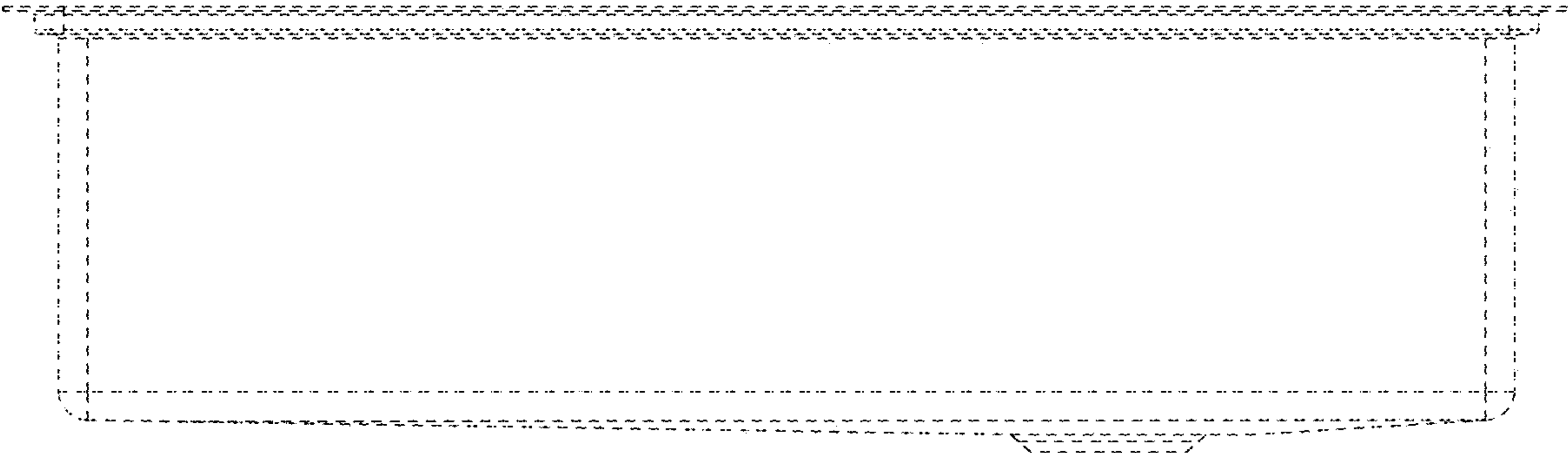


FIG. 6

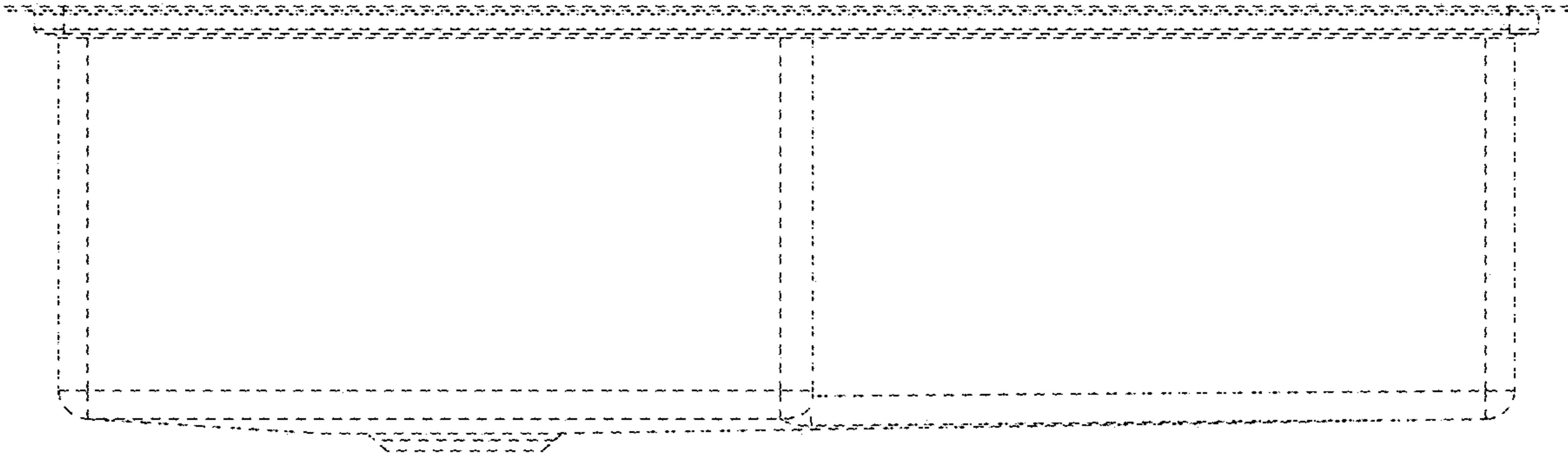


FIG. 7

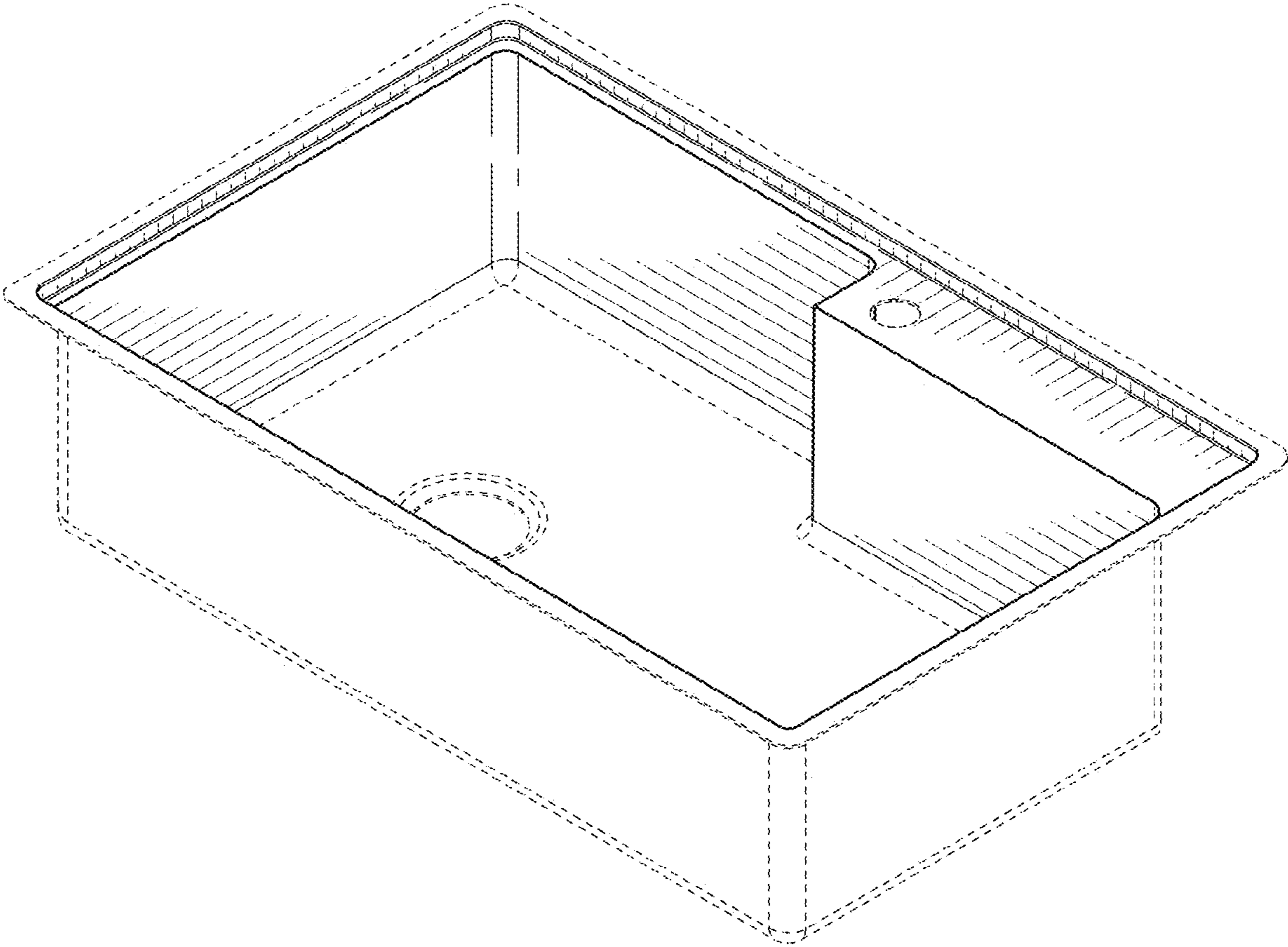


FIG. 8

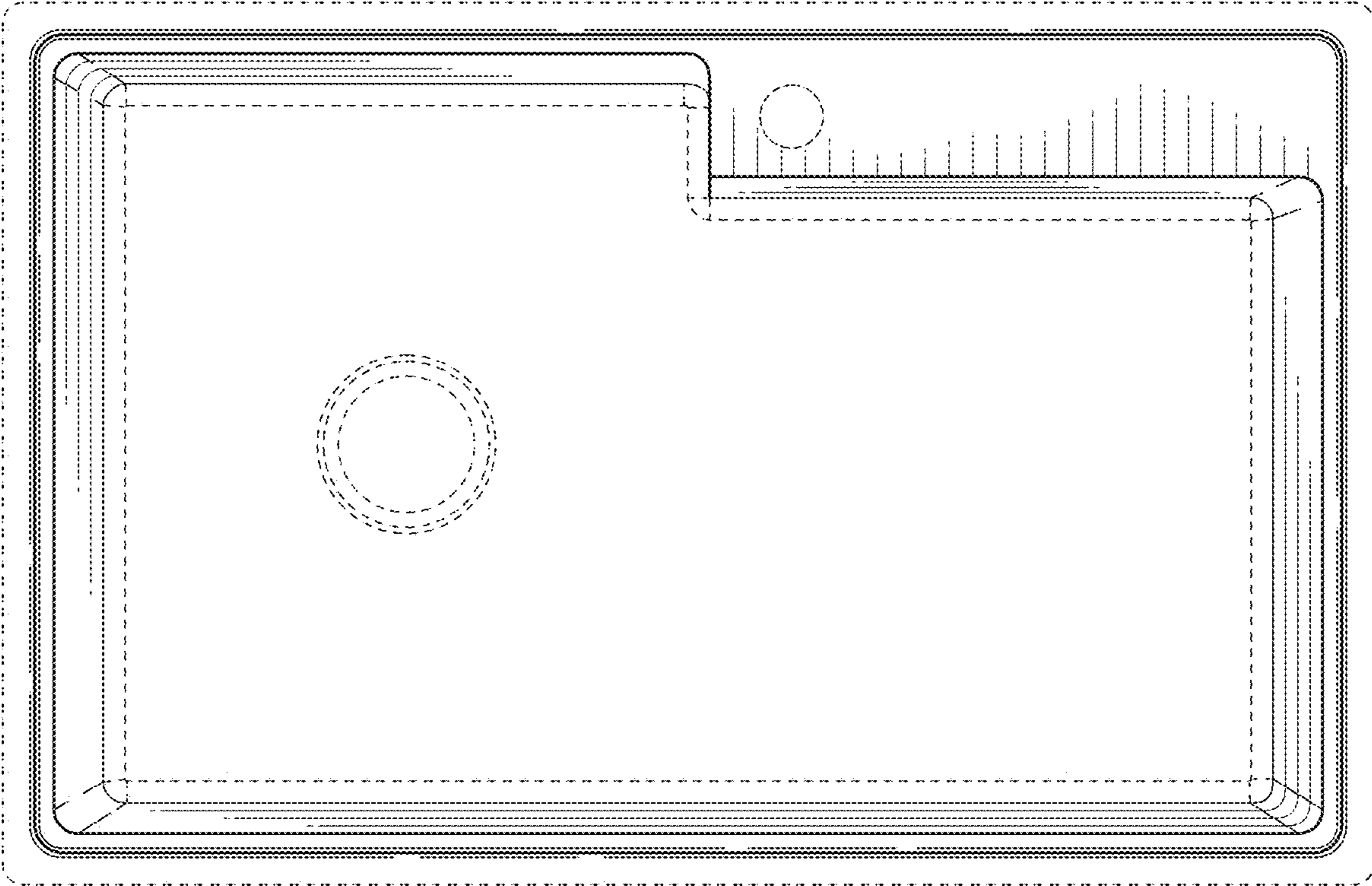


FIG. 9

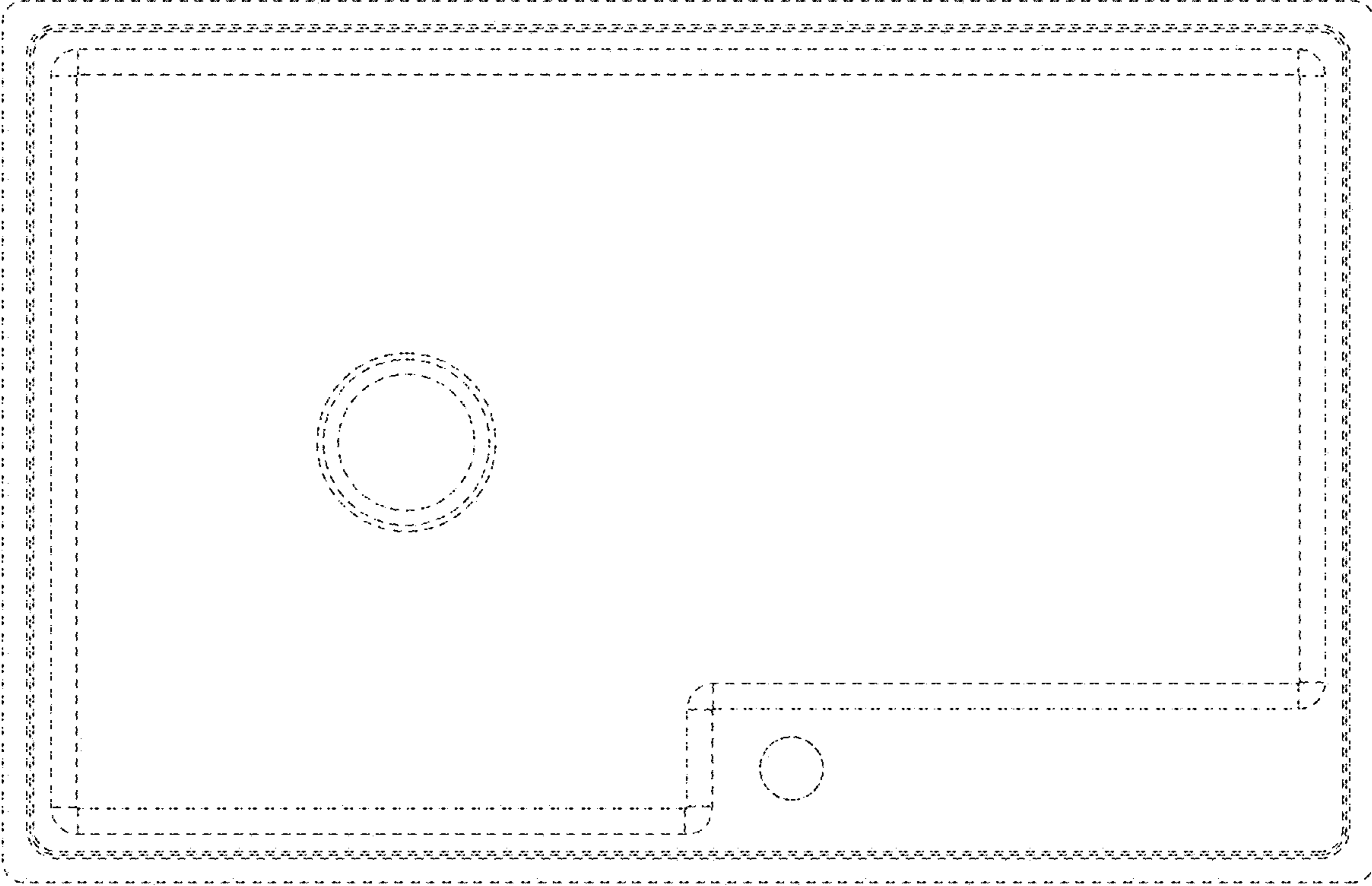


FIG. 10

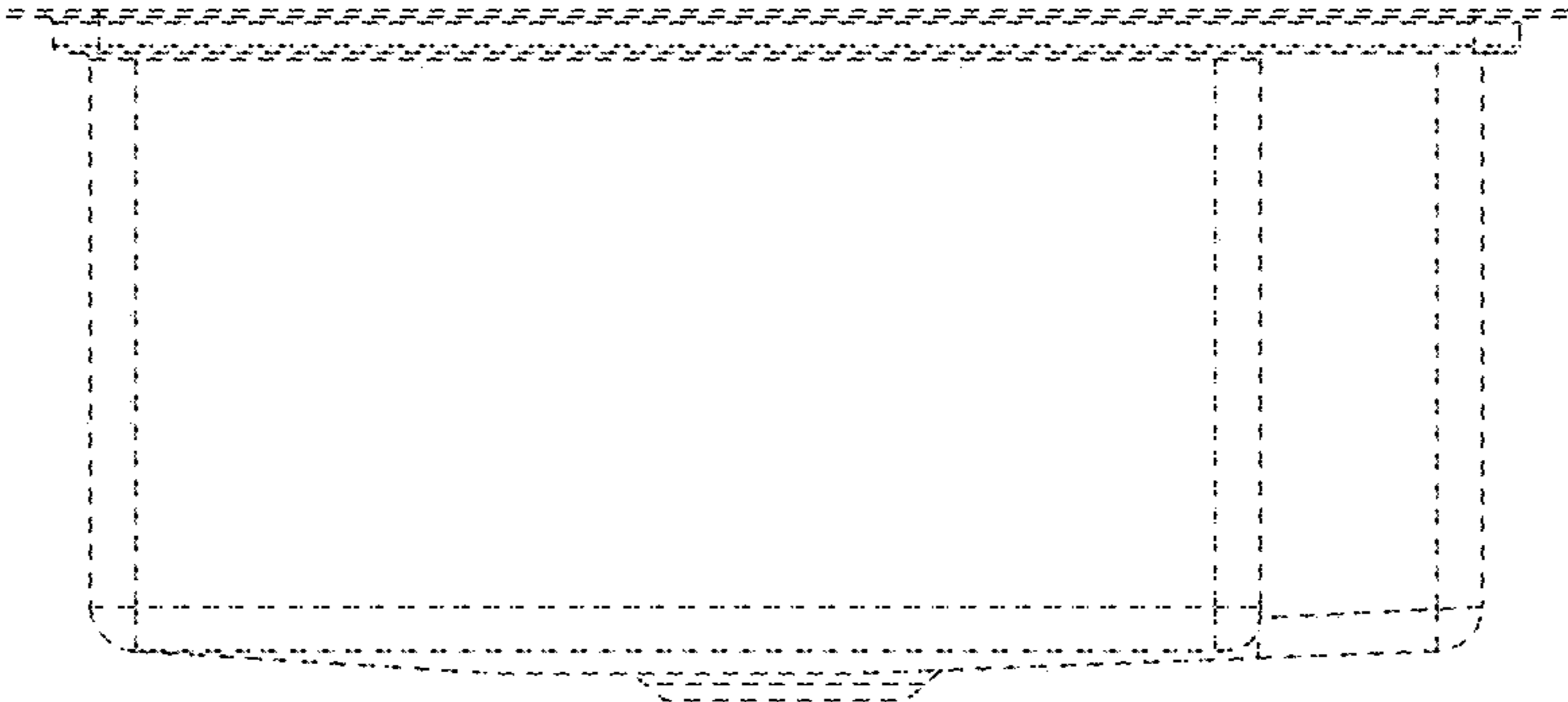


FIG. 11

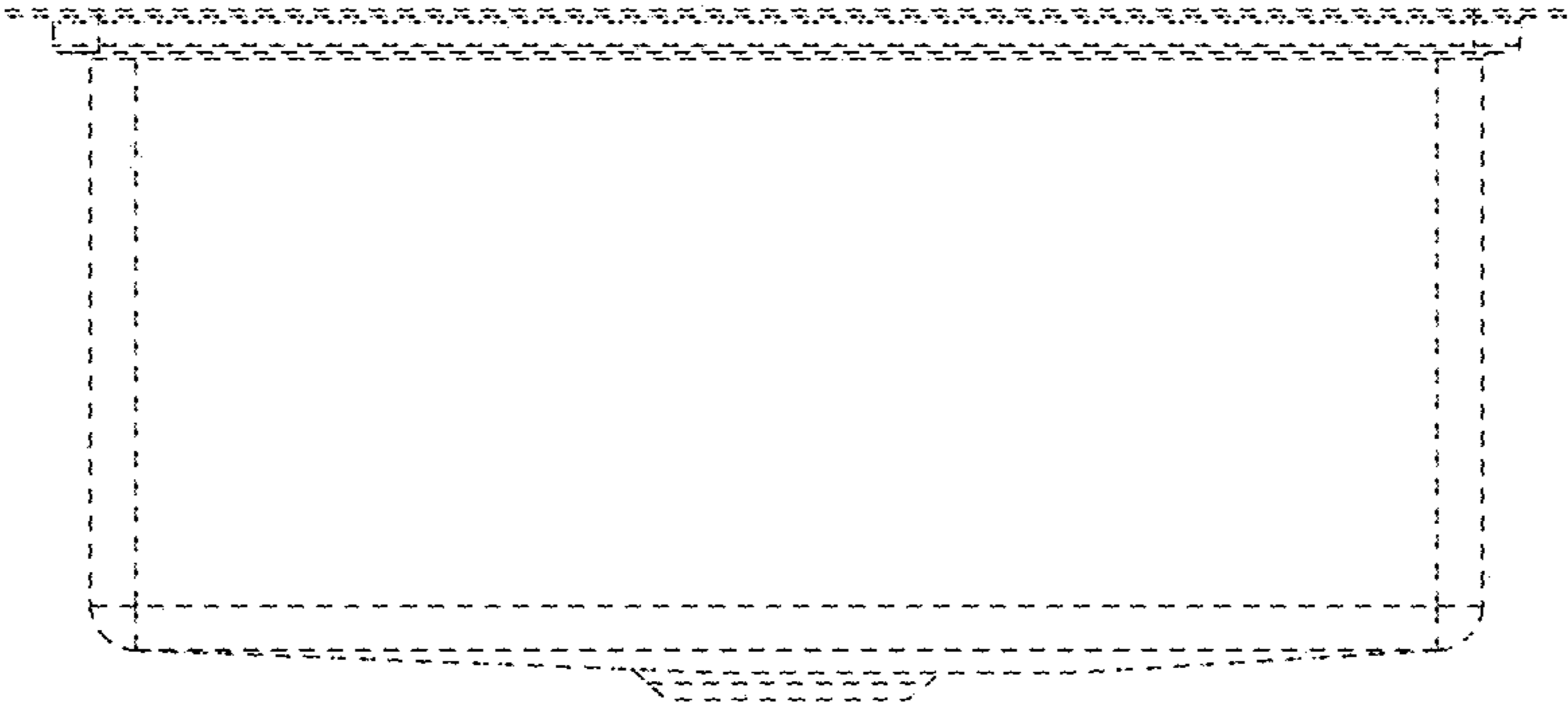


FIG. 12

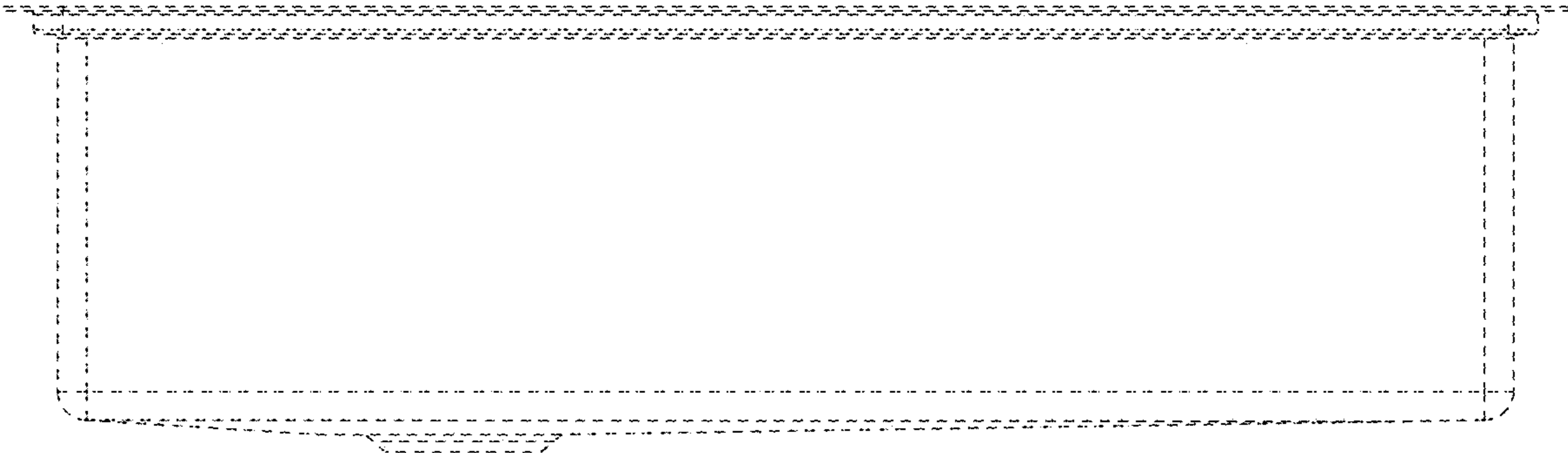


FIG. 13

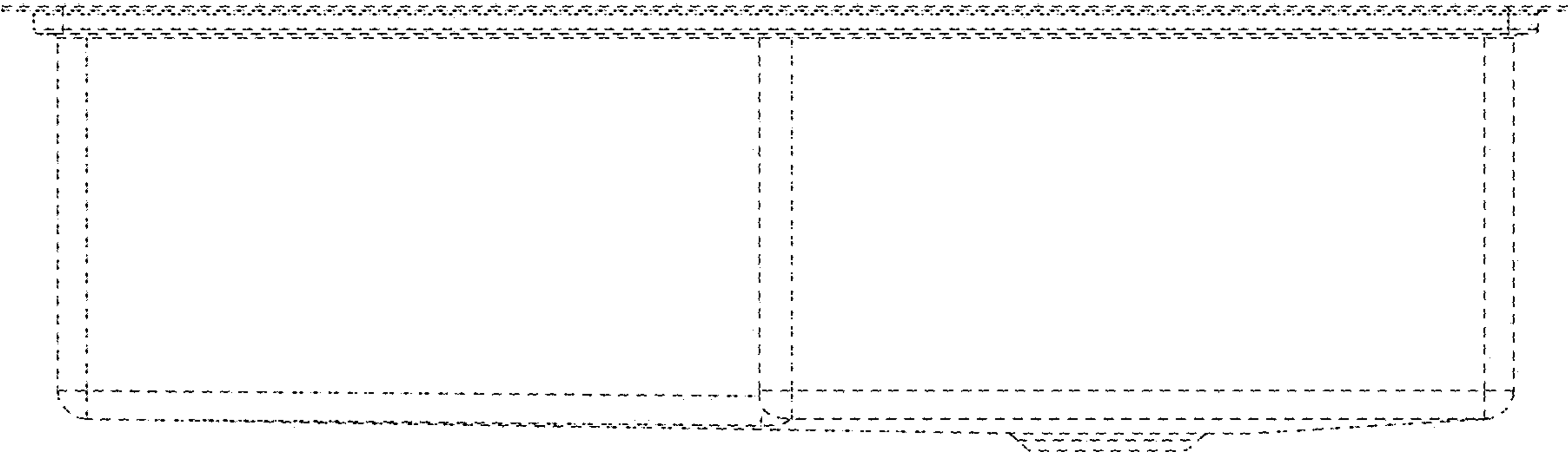


FIG. 14