

US00D954232S

(12) **United States Design Patent**
Yamamoto et al.

(10) **Patent No.:** **US D954,232 S**
(45) **Date of Patent:** **** Jun. 7, 2022**

(54) **ADSORPTION AND DESORPTION
MOLDING FOR VEHICLE CANISTERS**

FOREIGN PATENT DOCUMENTS

(71) Applicant: **KURARAY CO., LTD.**, Kurashiki (JP)

JP 5867800 B2 2/2016

(72) Inventors: **Takaharu Yamamoto**, Okayama (JP);
Mitsunori Nishita, Okayama (JP);
Mitsunori Hitomi, Okayama (JP);
Takayuki Yamada, Okayama (JP)

OTHER PUBLICATIONS

Yamamoto et al., "Adsorption and Desorption Part for Vehicle Canisters", U.S. Appl. No. 35/505,495, filed Jun. 26, 2018.

(73) Assignee: **KURARAY CO., LTD.**, Okayama (JP)

Primary Examiner — Darlington Ly

(**) Term: **15 Years**

(74) *Attorney, Agent, or Firm* — Keating & Bennett, LLP

(21) Appl. No.: **29/725,017**

(57) **CLAIM**

(22) Filed: **Feb. 21, 2020**

The ornamental design for an adsorption and desorption molding for vehicle canisters, as shown and described.

Related U.S. Application Data

DESCRIPTION

(63) Continuation of application No. 35/505,495, filed on Jun. 26, 2018 (U.S. filing date under 35 U.S.C. 384),
(Continued)

FIG. 1 is a front perspective view of an adsorption and desorption molding for vehicle canisters showing our new design in accordance to a first embodiment; FIG. 2 is a rear perspective view thereof; FIG. 3 is a front elevation view thereof; FIG. 4 is a rear elevation view thereof; FIG. 5 is a left side elevation view thereof; FIG. 6 is a right side elevation view thereof; FIG. 7 is a top plan view thereof; and FIG. 8 is a bottom plan view thereof.

(30) **Foreign Application Priority Data**

Dec. 27, 2017 (JP) 2017-029364
Dec. 27, 2017 (JP) 2017-029365
(Continued)

FIG. 9 is a front perspective view of an adsorption and desorption molding for vehicle canisters showing our new design in accordance to a second embodiment; FIG. 10 is a rear perspective view thereof; FIG. 11 is a front elevation view thereof; FIG. 12 is a rear elevation view thereof; FIG. 13 is a left side elevation view thereof; FIG. 14 is a right side elevation view thereof; FIG. 15 is a top plan view thereof; and, FIG. 16 is a bottom plan view thereof.

(51) **LOC (13) Cl.** **23-01**

(52) **U.S. Cl.**
USPC **D23/261**

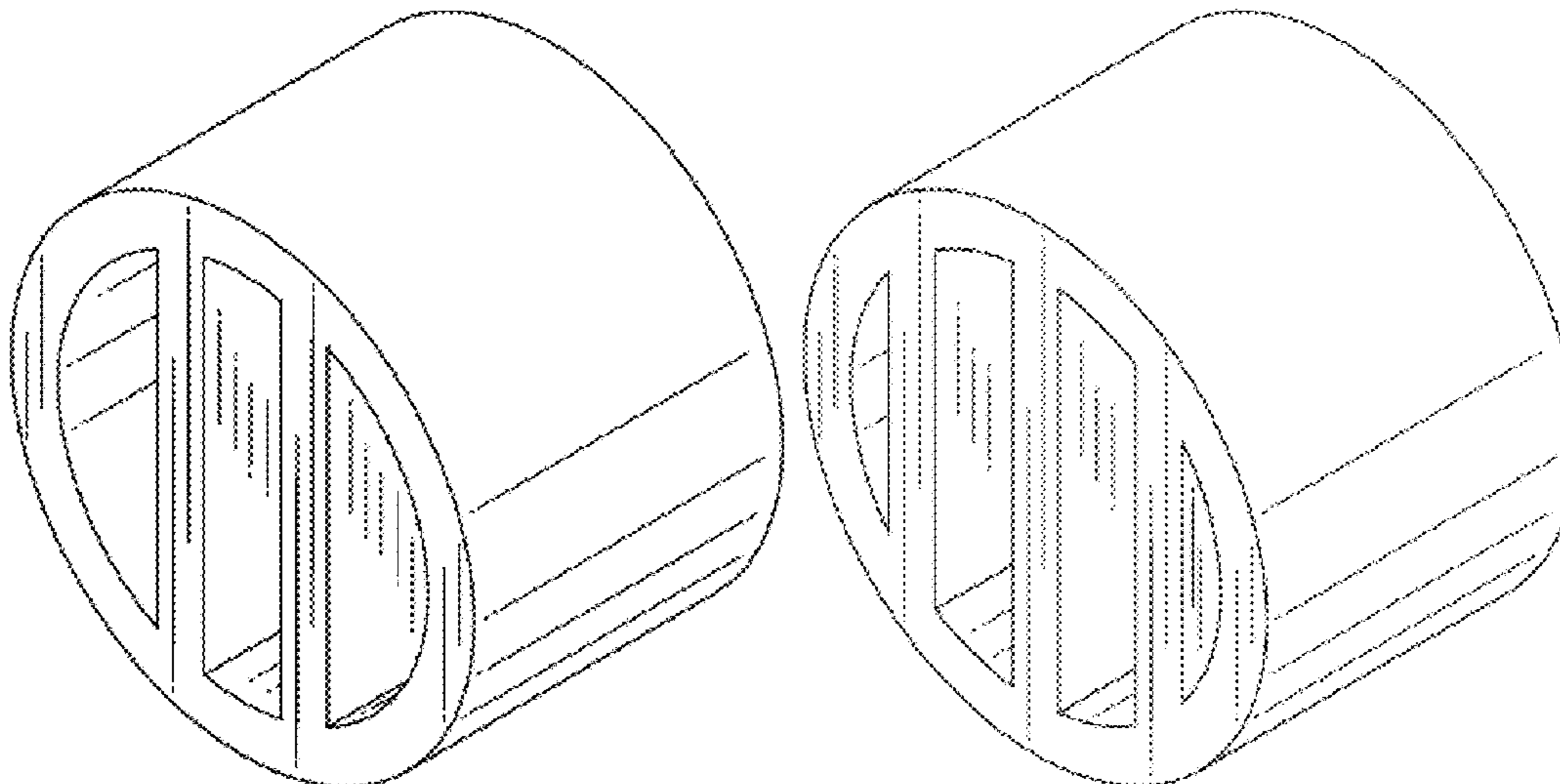
(58) **Field of Classification Search**
USPC D12/400; D15/5, 6; D23/259–261,
D23/267–268, 388, 397, 400, 406
(Continued)

(56) **References Cited**

U.S. PATENT DOCUMENTS

961,834 A * 6/1910 Barlett E03F 7/06
210/131
D109,479 S * 5/1938 Goldberg D23/390
(Continued)

1 Claim, 16 Drawing Sheets



Related U.S. Application Data
 and having an international filing date of Jun. 26, 2018, now abandoned.

(30) **Foreign Application Priority Data**
 Dec. 27, 2017 (JP) 2017-029366
 Dec. 27, 2017 (JP) 2017-029367
 Dec. 27, 2017 (JP) 2017-029381

(58) **Field of Classification Search**
 CPC B01J 20/28042; B01J 20/28085; B01J 20/2803; B01J 20/3064; B01J 20/20; B01J 20/28021; B01J 20/28092; B01J 20/28019; F02M 25/08; F02M 25/0854; B01D 2259/4516; B01D 2253/308; B01D 2253/34
 See application file for complete search history.

(56) **References Cited**
 U.S. PATENT DOCUMENTS
 2,324,545 A * 7/1943 Svirskey F16L 55/132 4/295
 3,011,422 A * 12/1961 Scallon F24F 13/075 454/280
 D225,460 S * 12/1972 Altobello D25/36
 D370,723 S * 6/1996 Nishizawa D23/387
 D427,303 S * 6/2000 Brown D23/390
 D430,101 S * 8/2000 Erskine D12/400
 D432,226 S * 10/2000 Orendorff D23/393
 6,224,292 B1 * 5/2001 Akalin E02D 29/1409 404/26
 D461,233 S * 8/2002 Whalen D23/261

6,595,721 B2 * 7/2003 Kincheloe E03F 5/06 210/163
 6,942,425 B2 * 9/2005 Kincheloe E03F 1/00 210/163
 7,252,458 B2 * 8/2007 Kincheloe E03F 1/00 210/163
 D573,527 S * 7/2008 Moran D12/400
 D587,187 S * 2/2009 Moran D12/400
 7,695,216 B2 * 4/2010 Kincheloe E03F 5/06 405/125
 D622,035 S * 8/2010 Lambertz D2/828
 D654,152 S * 2/2012 Schulz D23/260
 8,196,229 B1 * 6/2012 Hickok E03F 5/041 4/288
 D677,376 S * 3/2013 Wolff D23/393
 D682,996 S * 5/2013 Feliciano D23/261
 D683,436 S * 5/2013 Feliciano D23/261
 8,496,405 B1 * 7/2013 Kincheloe E03F 5/0404 405/125
 D715,409 S * 10/2014 Raimondi D23/259
 D718,844 S * 12/2014 Johansen D23/261
 9,453,331 B1 * 9/2016 Buffington E03F 5/0407
 D788,888 S * 6/2017 Hull D23/261
 D788,889 S * 6/2017 Hull D23/261
 D789,497 S * 6/2017 Hull D23/261
 10,012,338 B2 * 7/2018 Kincheloe F16L 55/1152
 D839,396 S * 1/2019 Whitehead D23/260
 D839,397 S * 1/2019 Whitehead D23/260
 D871,177 S * 12/2019 Pentland D8/45
 D877,934 S * 3/2020 Devitt D25/41.1
 D879,367 S * 3/2020 Walsh D26/138
 D918,821 S * 5/2021 Yamamoto D12/400
 D918,822 S * 5/2021 Yamamoto D12/400
 D918,823 S * 5/2021 Yamamoto D12/400
 D925,029 S * 7/2021 Vestergaard D23/393
 2014/0124385 A1 * 5/2014 Yamasaki B01J 20/28042 206/0.7

* cited by examiner

FIG. 1

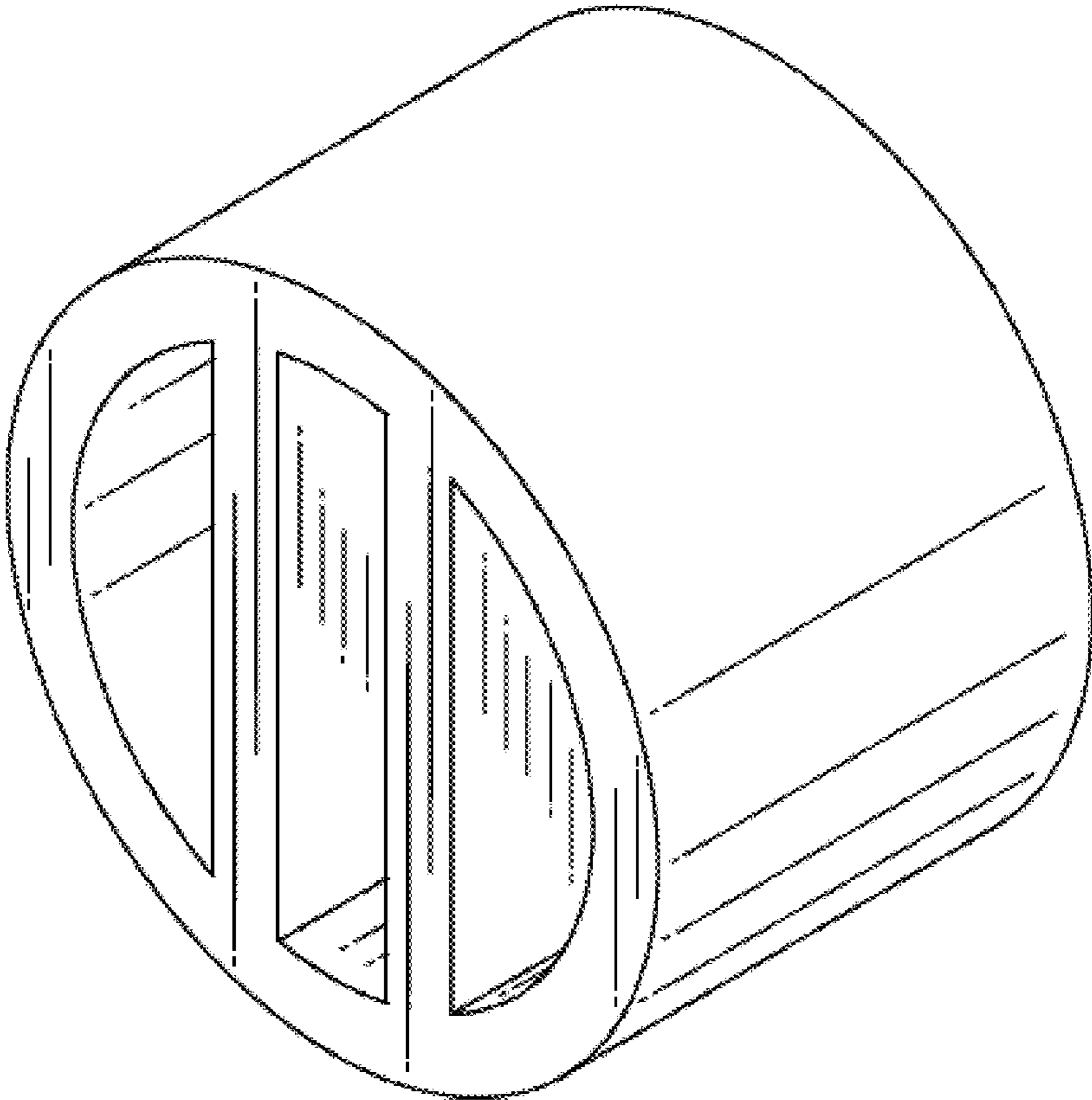


FIG. 2

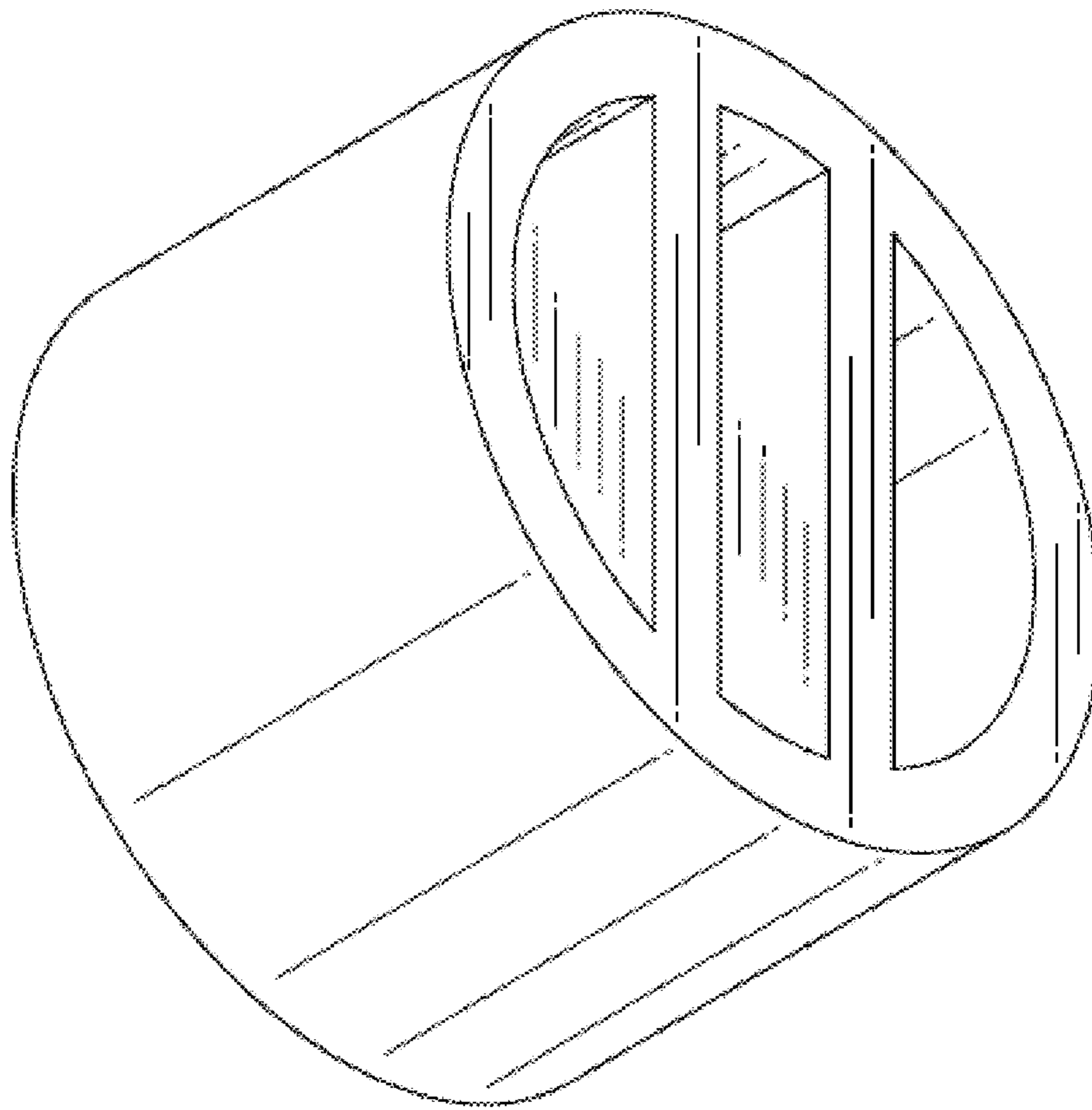


FIG. 3

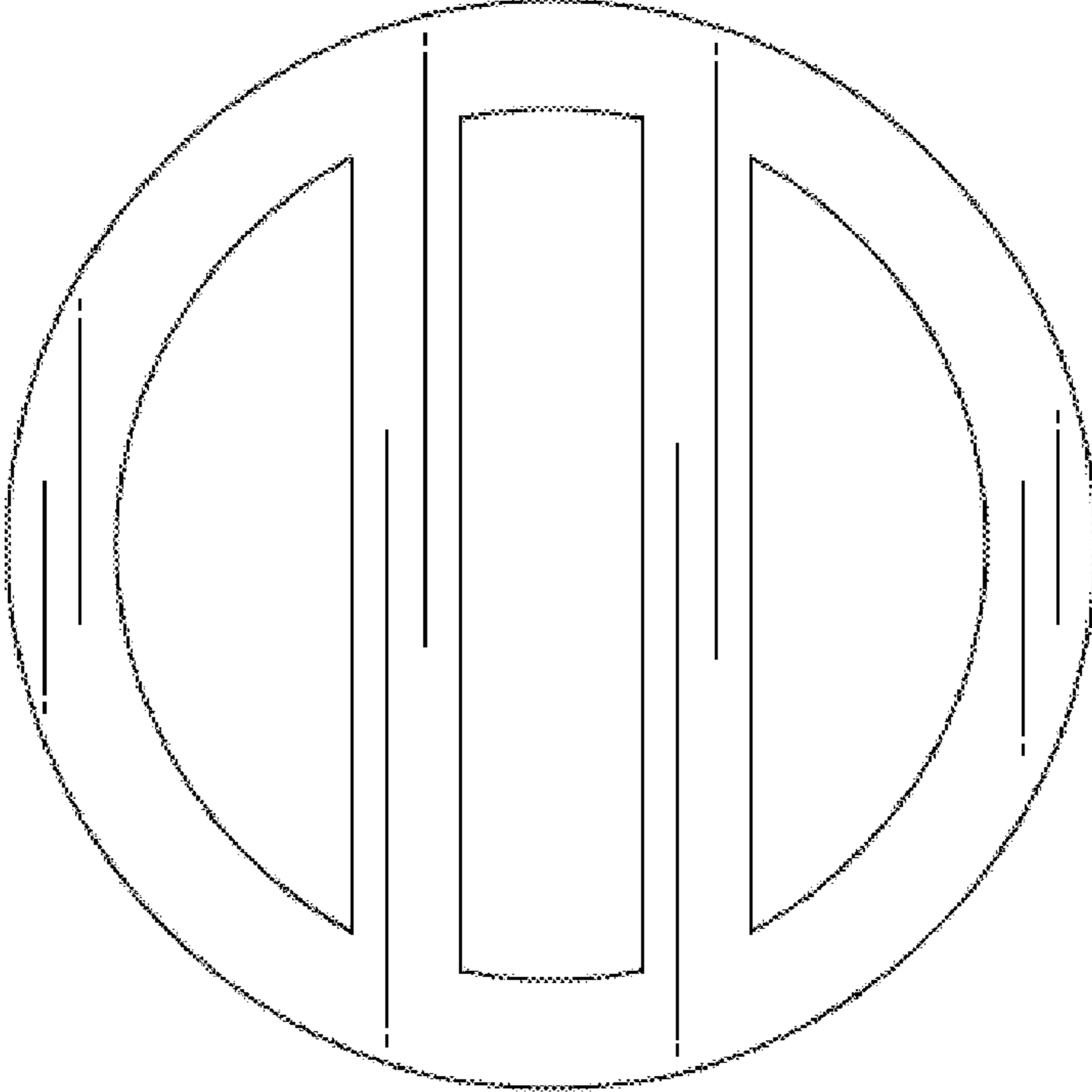


FIG. 4

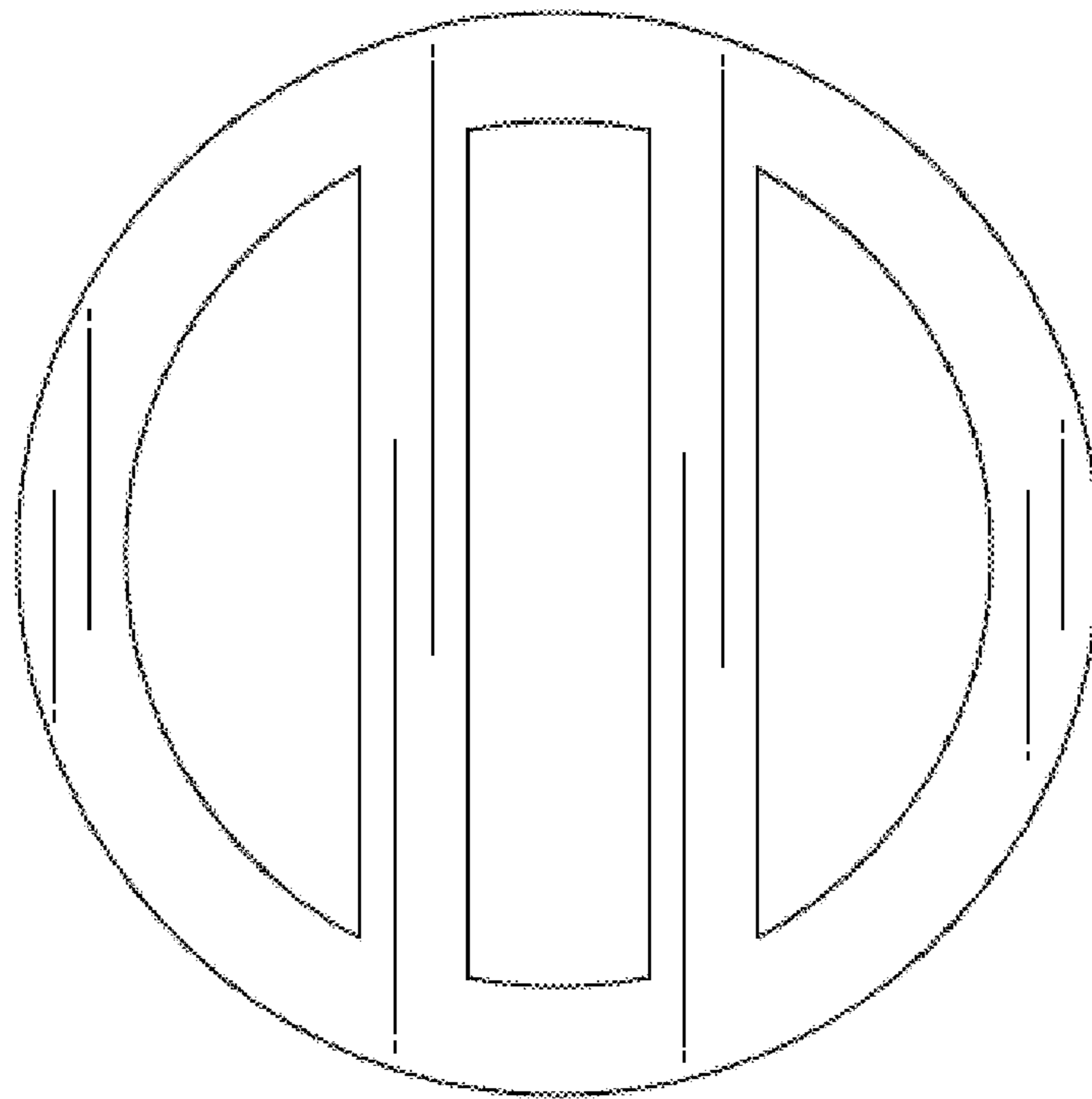


FIG. 5

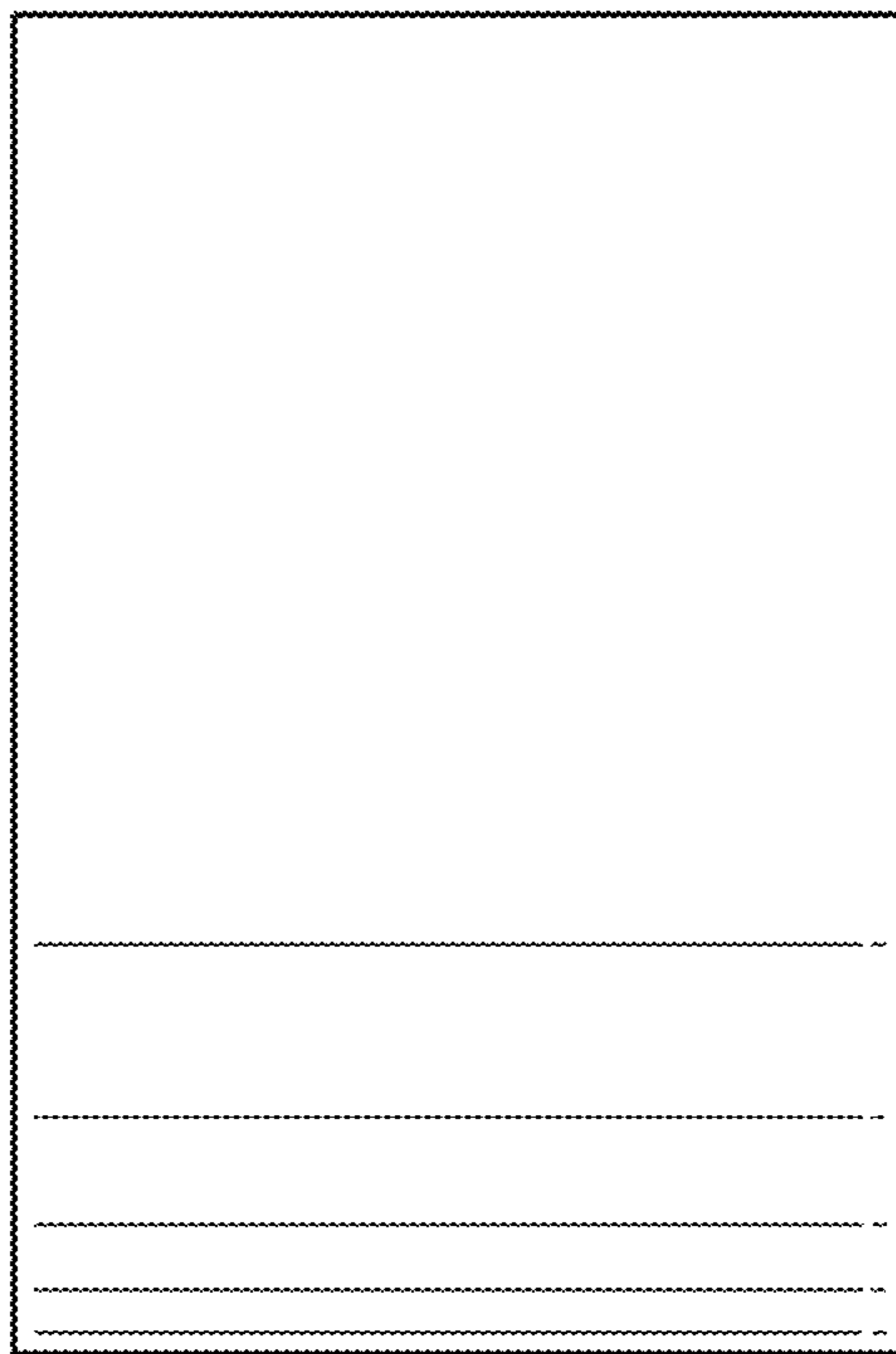


FIG. 6

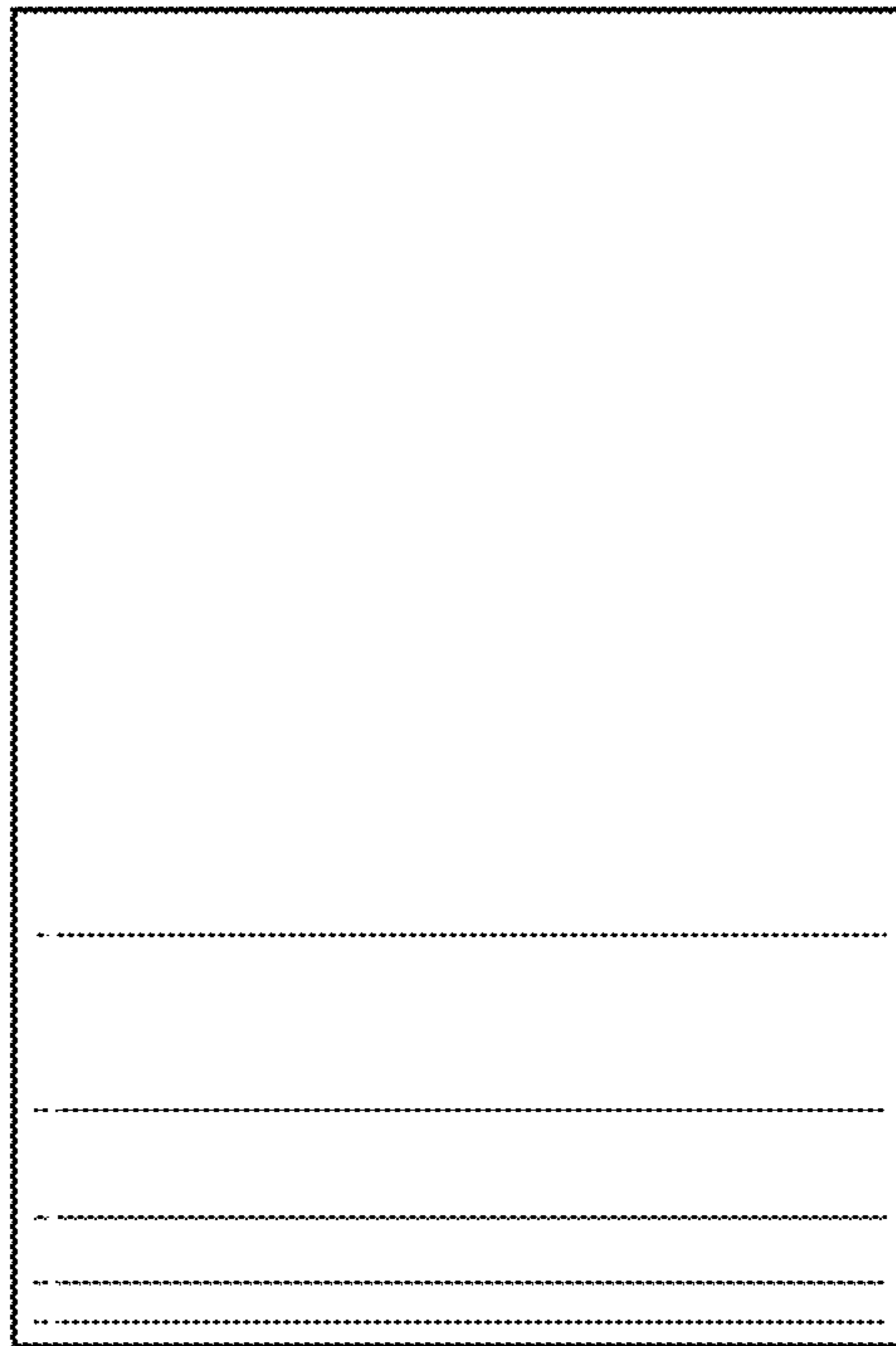


FIG. 7

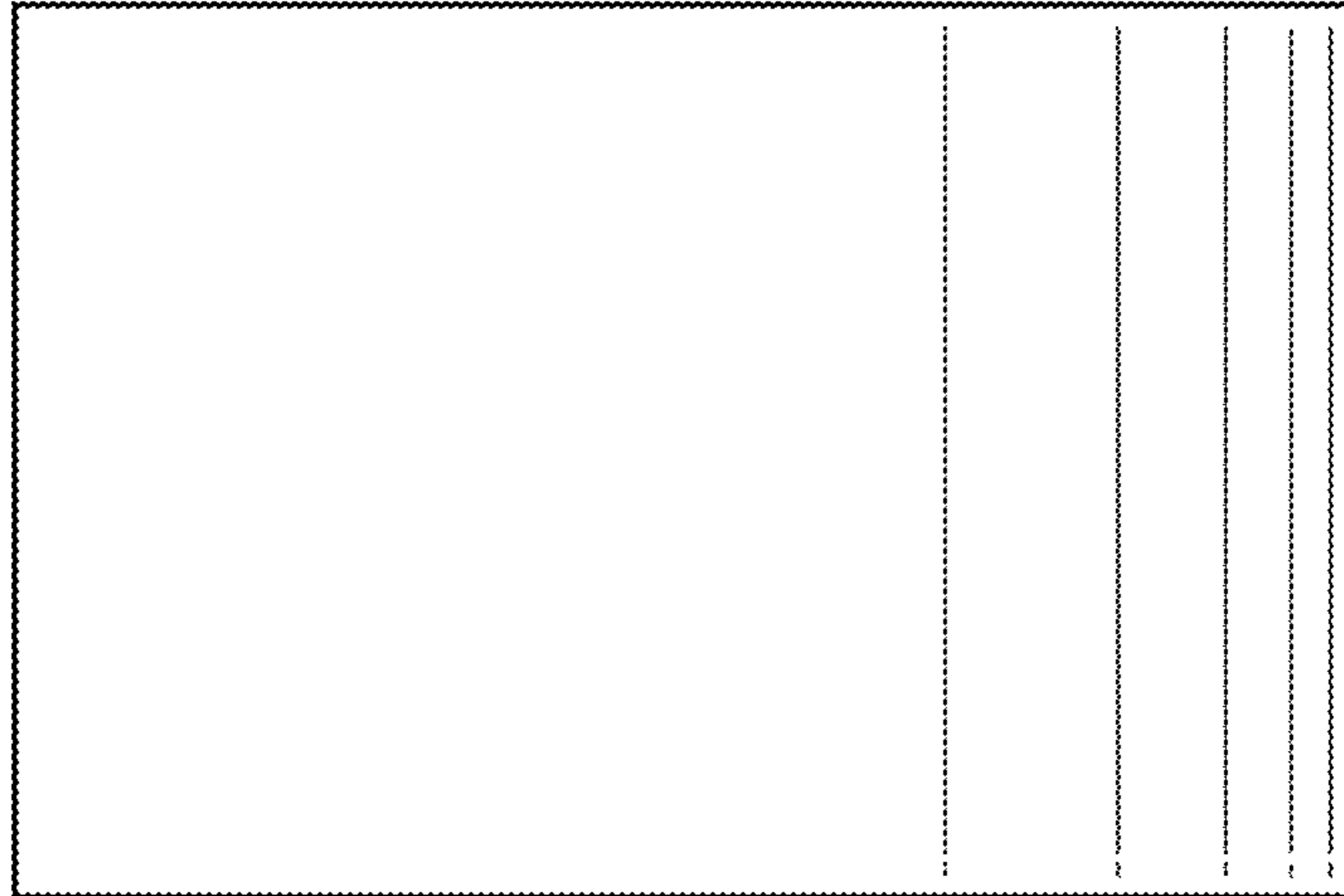


FIG. 8

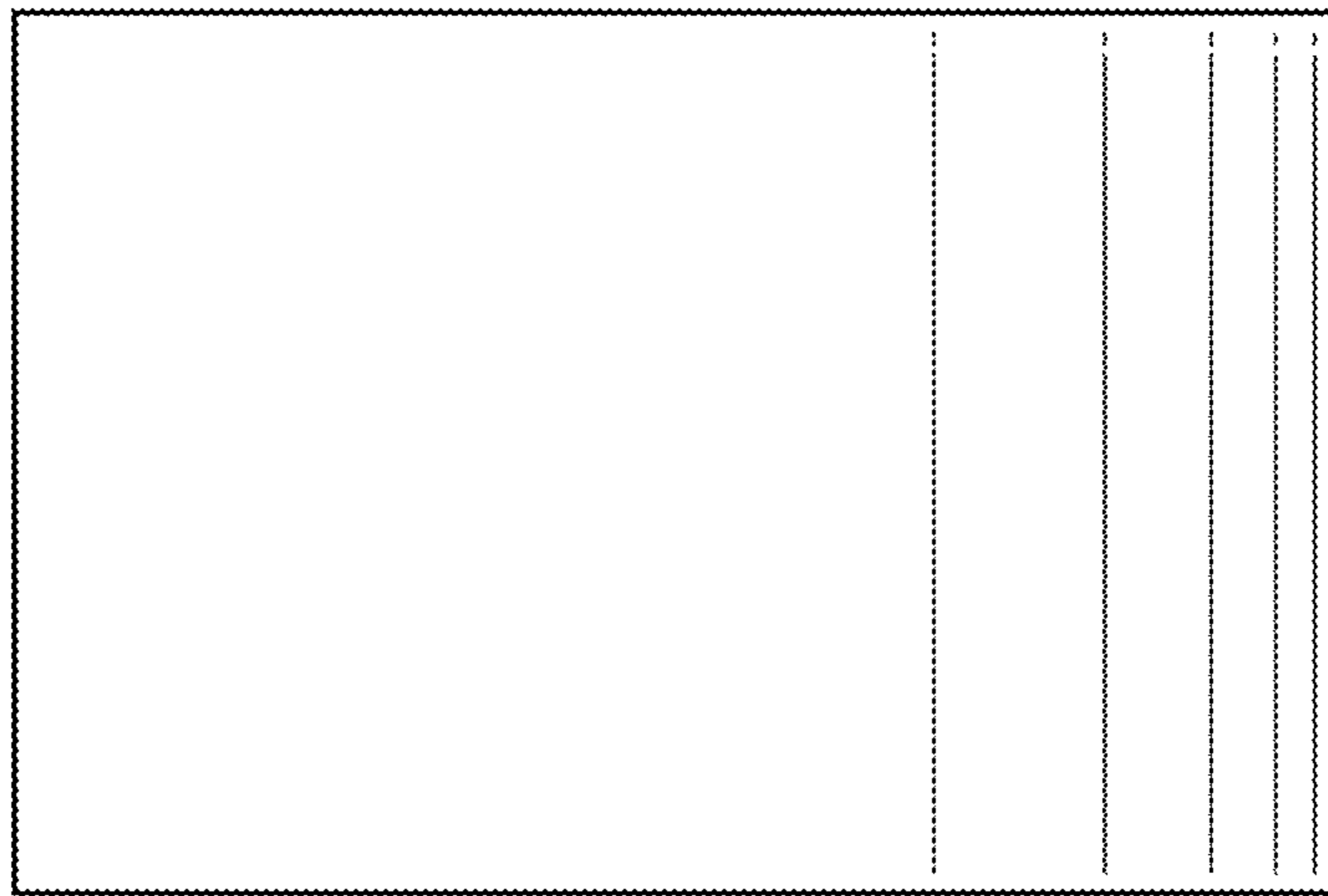


FIG. 9

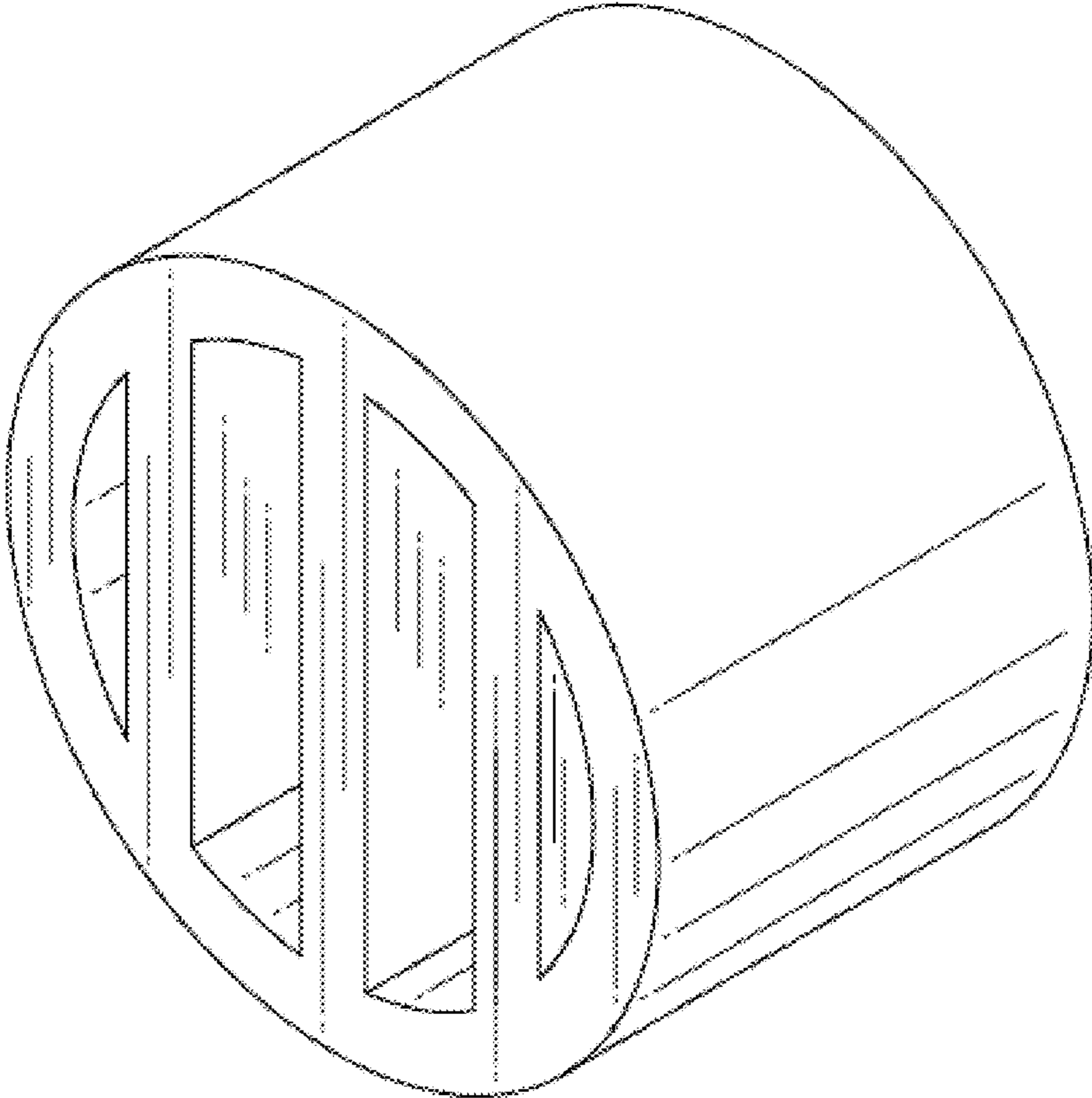


FIG. 10

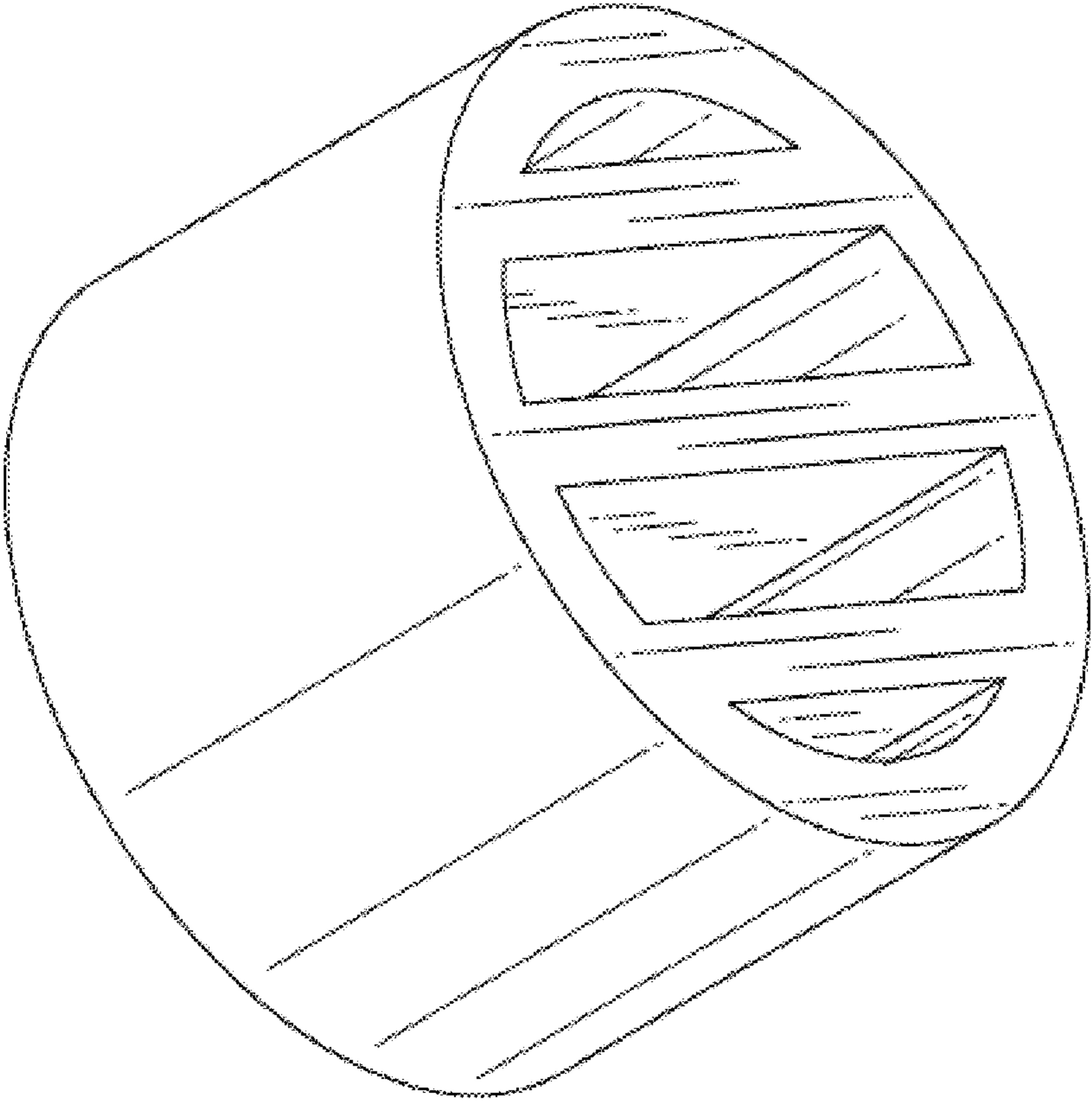


FIG. 11

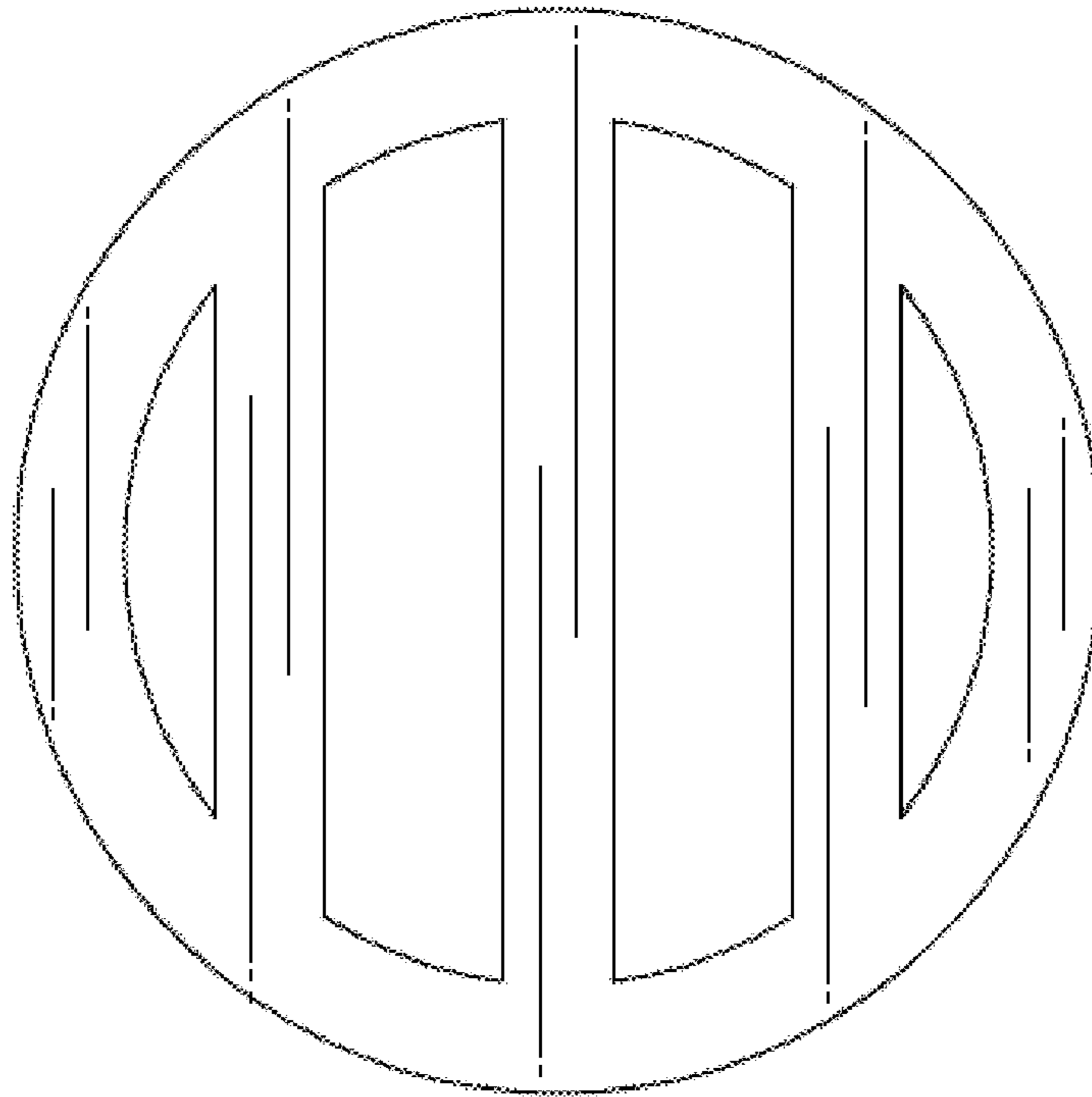


FIG. 12

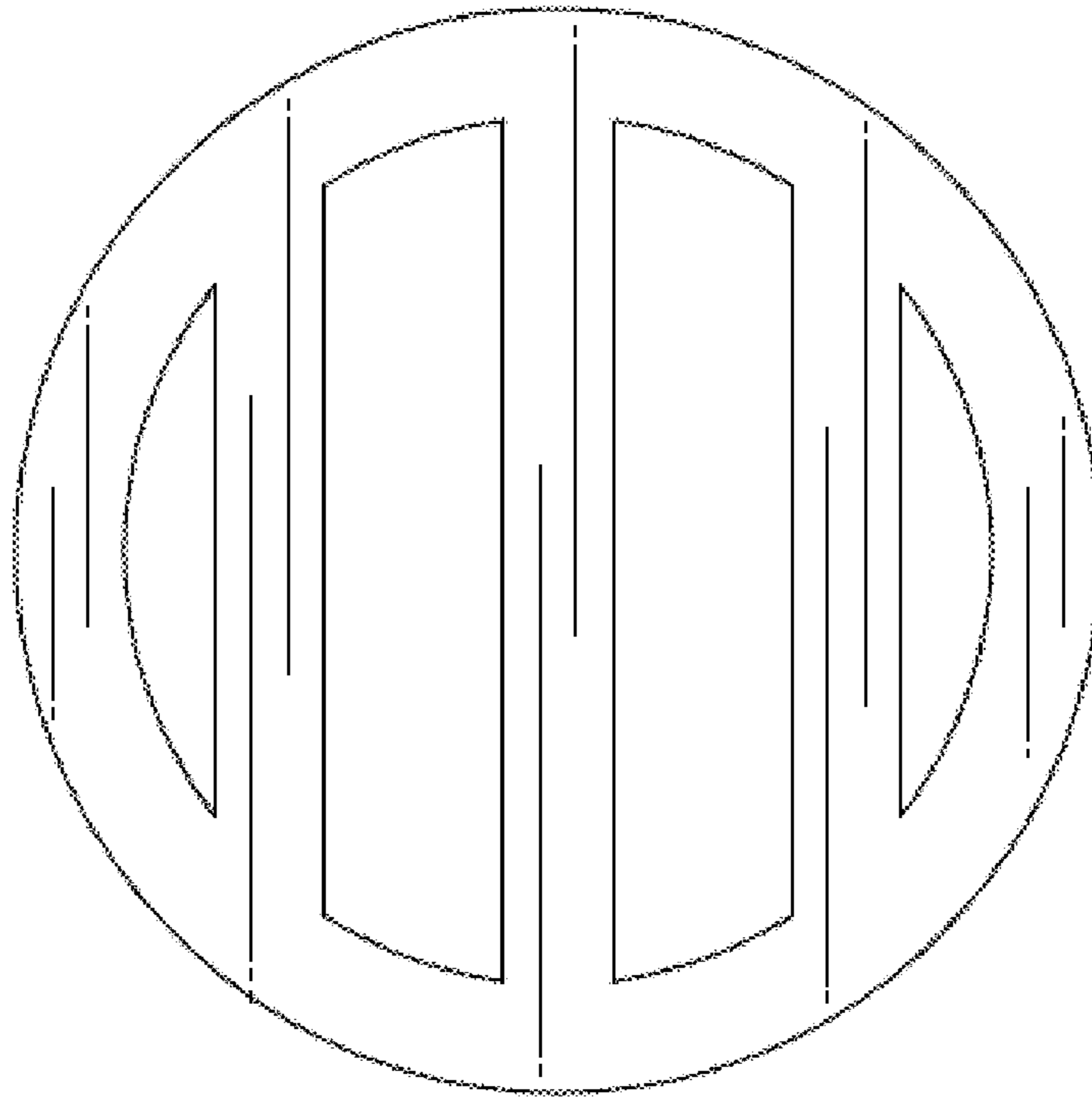


FIG. 13

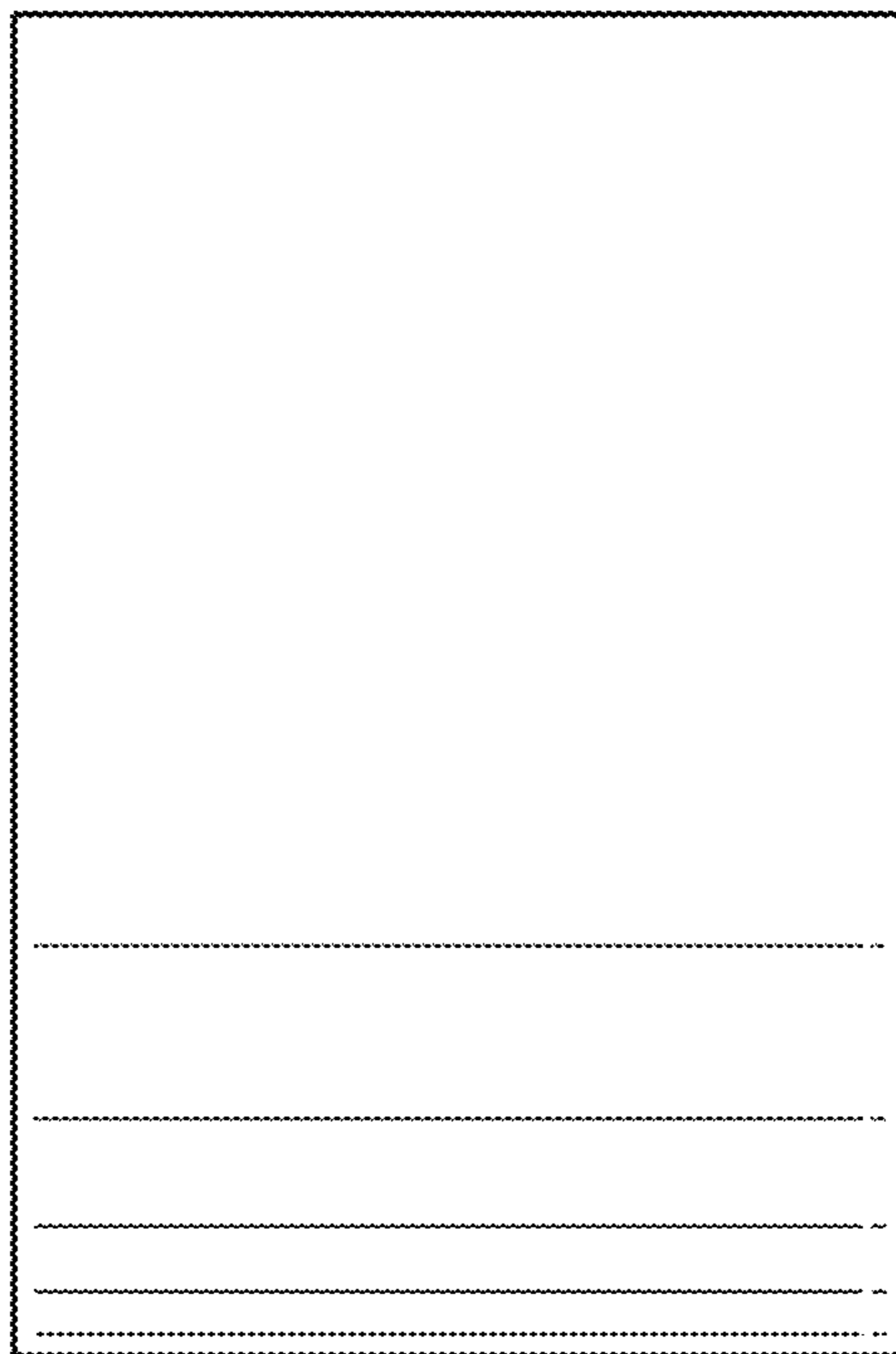


FIG. 14

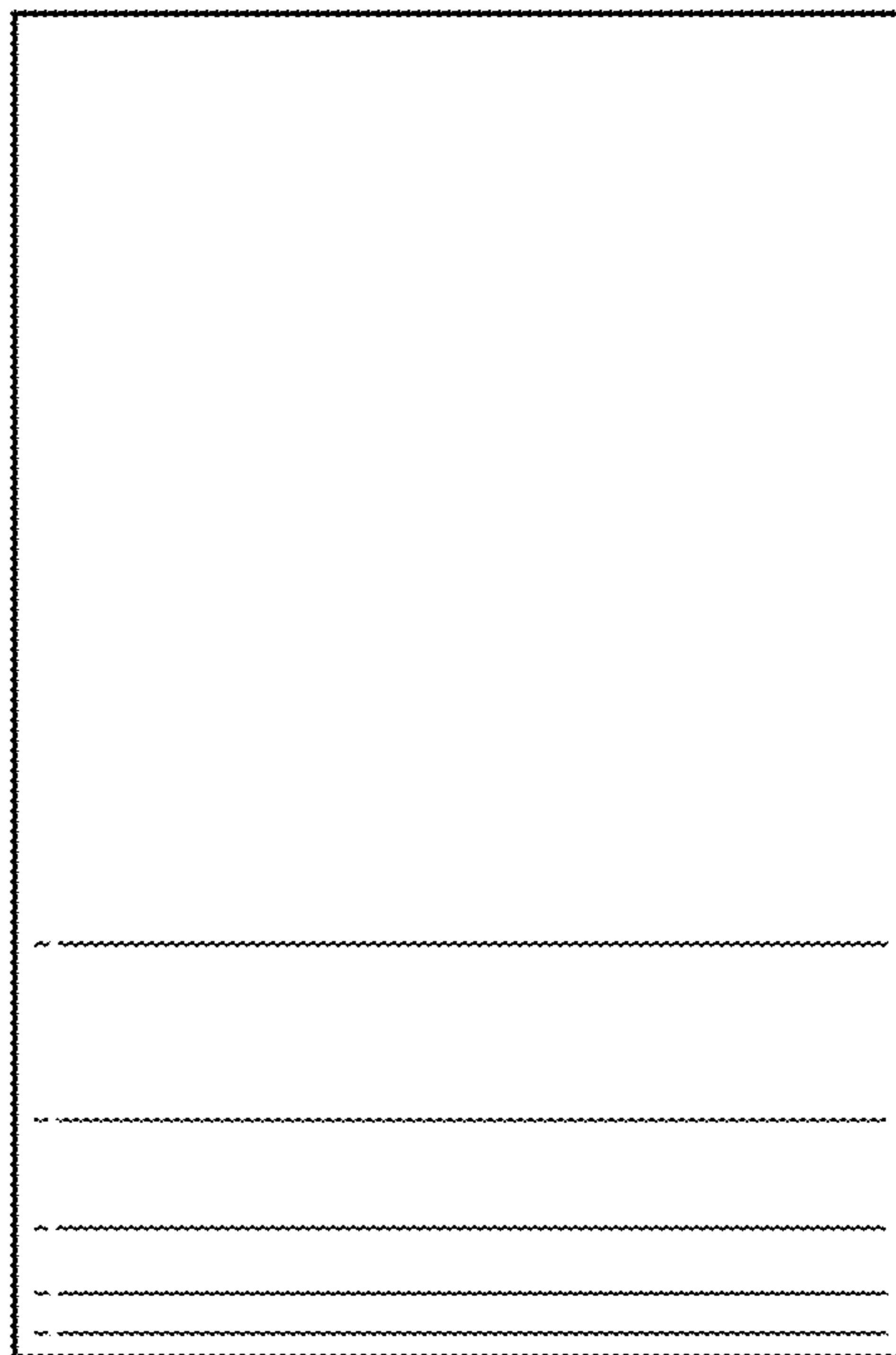


FIG. 15

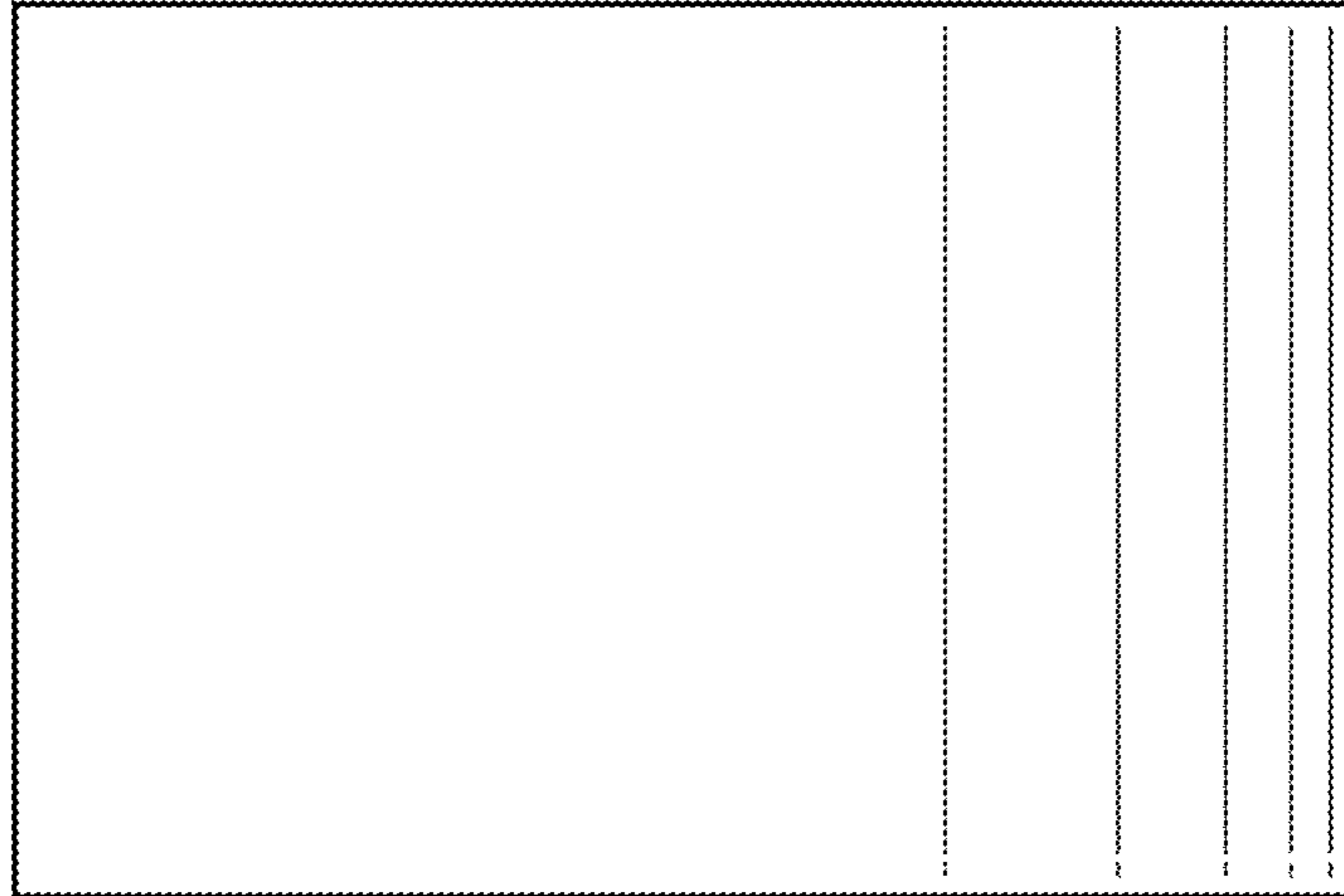


FIG. 16

