



US00D954230S

(12) **United States Design Patent**
Lazarini

(10) **Patent No.:** **US D954,230 S**
(45) **Date of Patent:** **** Jun. 7, 2022**

(54) **SPOUT**
(71) Applicant: **DELTA FAUCET COMPANY,**
Indianapolis, IN (US)
(72) Inventor: **Alejandra Lazarini,** Carmel, IN (US)
(73) Assignee: **DELTA FAUCET COMPANY,**
Indianapolis, IN (US)
(**) Term: **15 Years**
(21) Appl. No.: **29/732,838**
(22) Filed: **Apr. 28, 2020**
(51) **LOC (13) Cl.** **23-01**
(52) **U.S. Cl.**
USPC **D23/255**
(58) **Field of Classification Search**
USPC D23/257, 249, 254, 259, 255, 233, 234,
D23/235, 236, 237, 238, 240, 241, 242,
D23/243, 244, 245, 246, 247, 248, 250,
D23/251, 252, 253, 256
CPC E03C 1/01; E03C 1/0409; E03C 1/025;
E03C 1/0408; Y10T 137/5339; Y10T
137/6014; Y10T 137/6021
See application file for complete search history.

D710,975 S * 8/2014 Huang D23/255
D790,671 S * 6/2017 Zhang D23/257
D831,164 S * 10/2018 Garuti D23/255
D870,248 S * 12/2019 Spangler D23/257
D912,217 S * 3/2021 Eads D23/255
D912,218 S * 3/2021 Eads D23/255
2012/0280068 A1* 11/2012 Huang E03C 1/08
239/586

OTHER PUBLICATIONS

Amazon, Moen 3858 Tub Diverter Spout, posted Mar. 21, 2013,
[online], [visited Jun. 15, 2021]. Internet, <URL: <https://www.amazon.co.uk/dp/B001F9UUW8/ref>> (Year: 2013).*

* cited by examiner

Primary Examiner — Samantha Wood

(74) *Attorney, Agent, or Firm* — Nirav D. Parikh; Edgar
A. Zarins

(57) **CLAIM**

The ornamental design for a spout, as shown and described.

DESCRIPTION

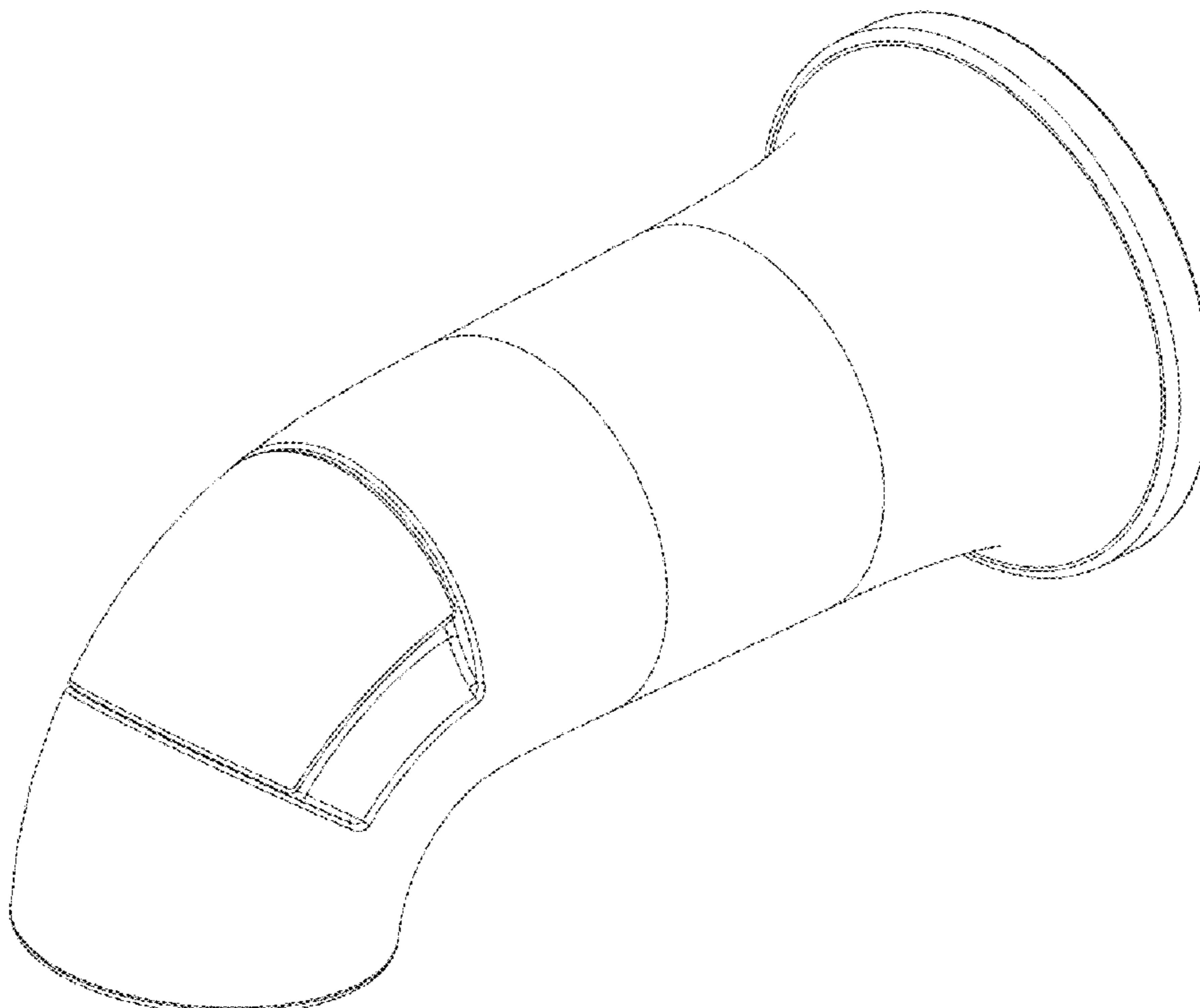
FIG. 1 is a front perspective view of a spout showing my
new design;
FIG. 2 is a rear perspective view thereof;
FIG. 3 is a front elevational view thereof;
FIG. 4 is a left side view thereof;
FIG. 5 is a rear elevational view thereof;
FIG. 6 is a right side view thereof;
FIG. 7 is a top plan view thereof; and,
FIG. 8 is a bottom plan view thereof.

1 Claim, 4 Drawing Sheets

(56) **References Cited**

U.S. PATENT DOCUMENTS

D428,971 S * 8/2000 Milrud D23/255
D533,258 S * 12/2006 Berberet D23/257
D601,667 S * 10/2009 Schoenherr D23/255
D639,913 S * 6/2011 Jones D23/255



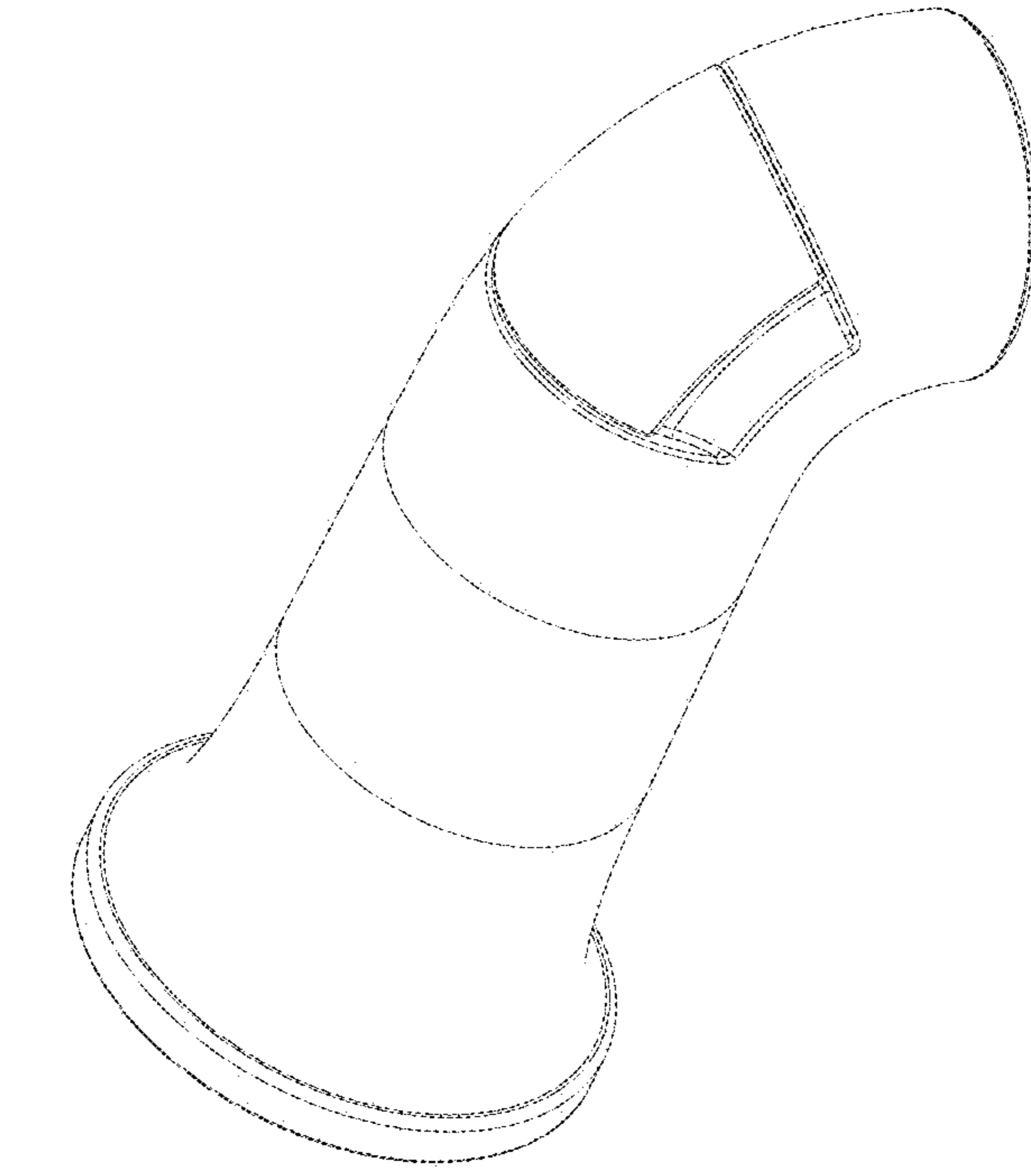


FIG - 2

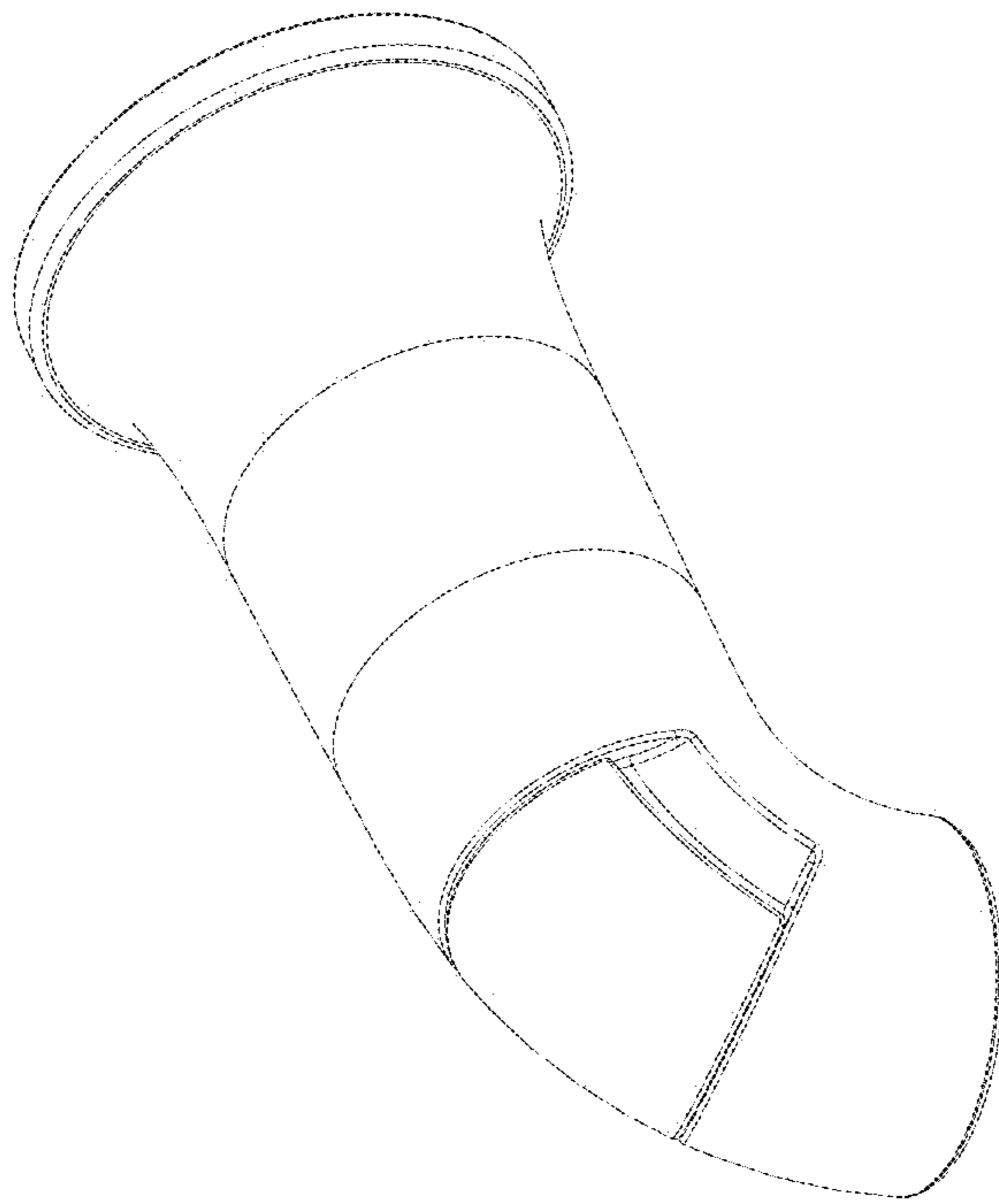


FIG - 1

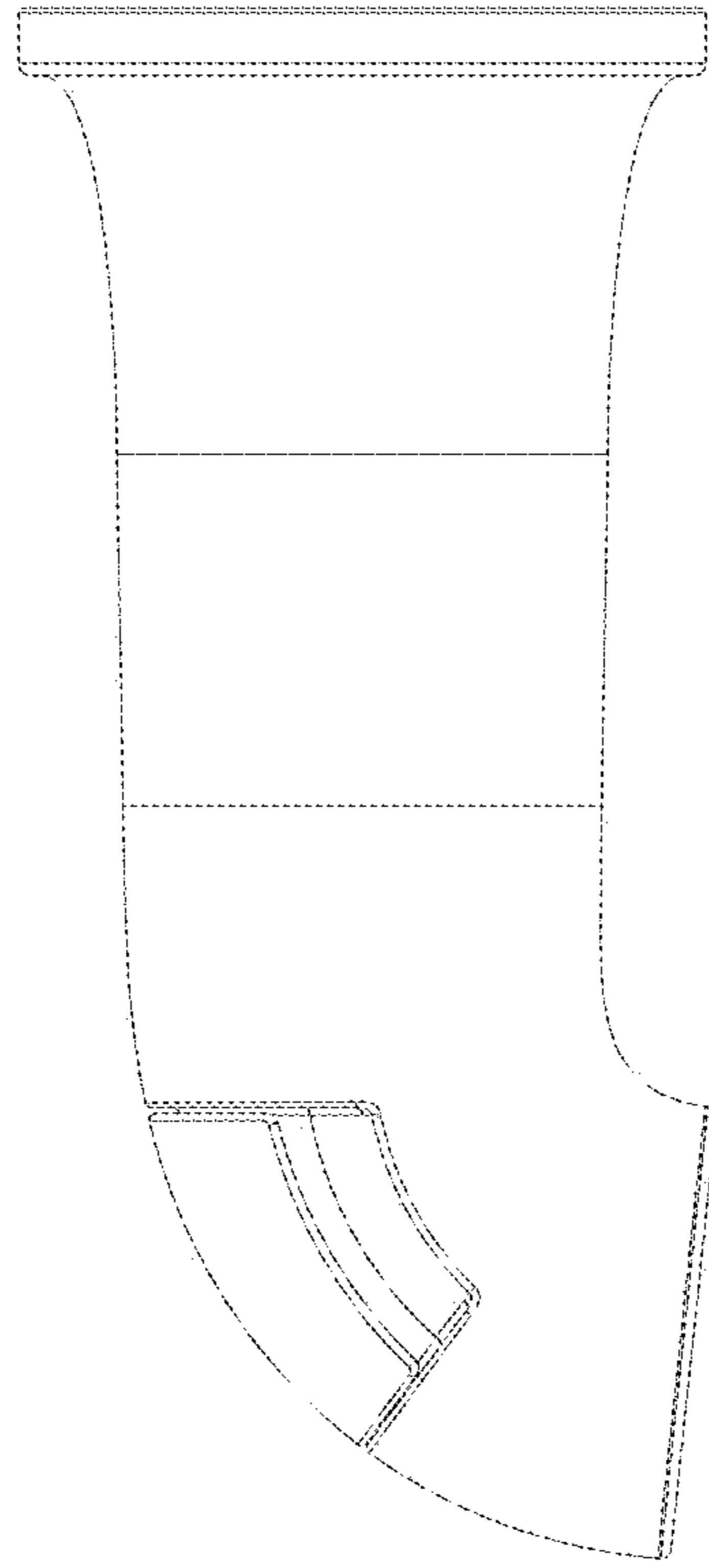


FIG - 4

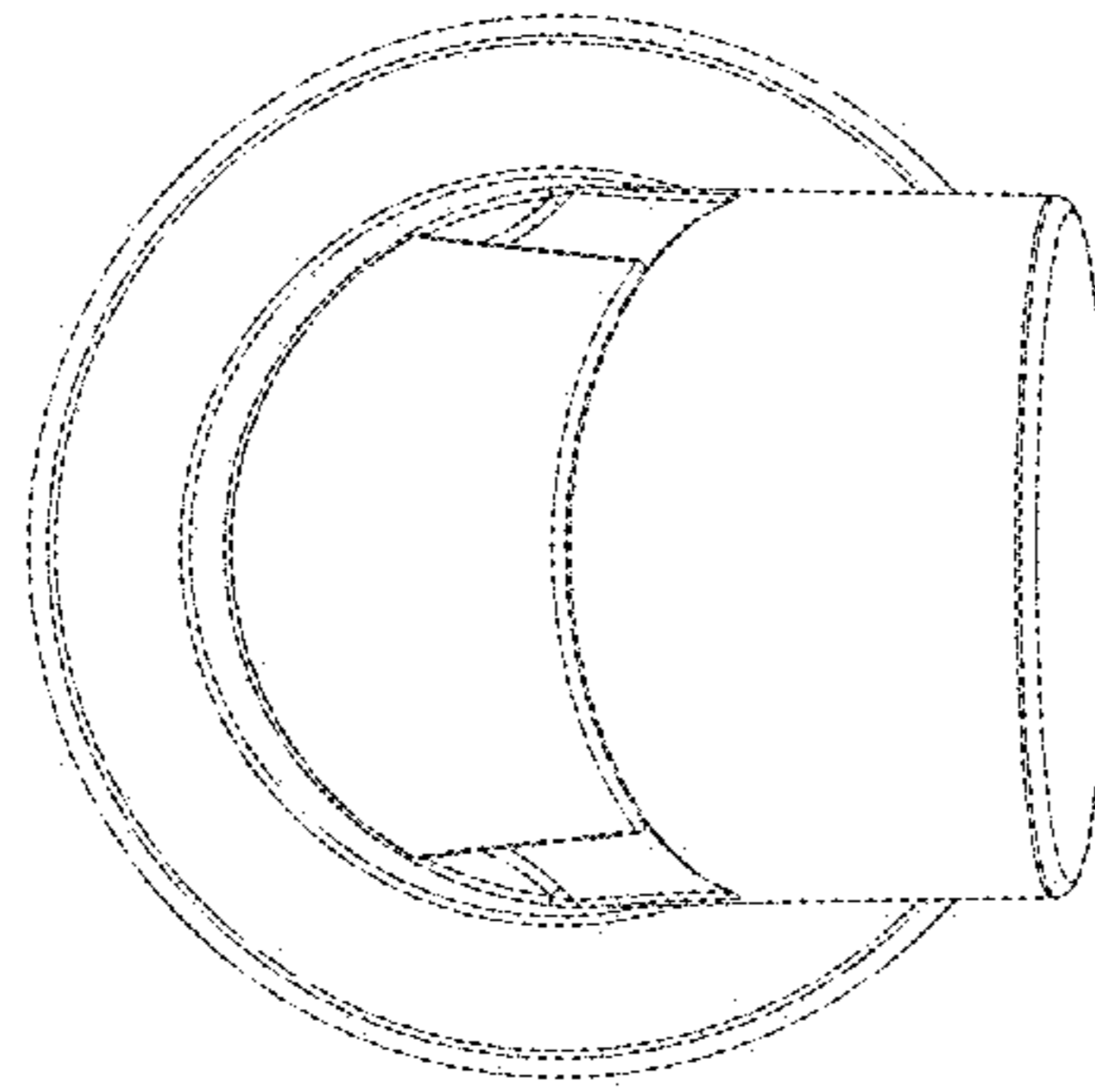


FIG - 3

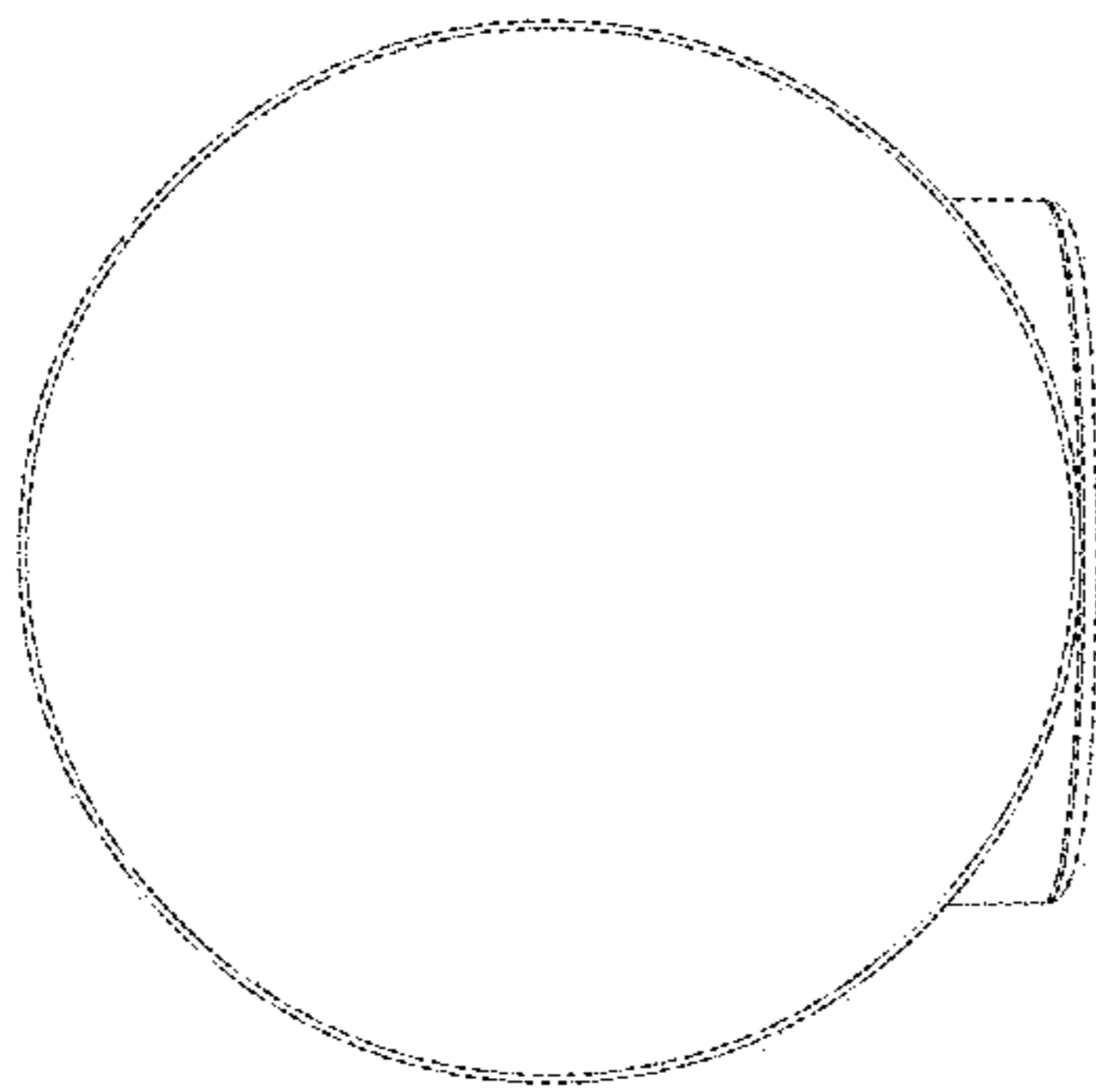


FIG - 5

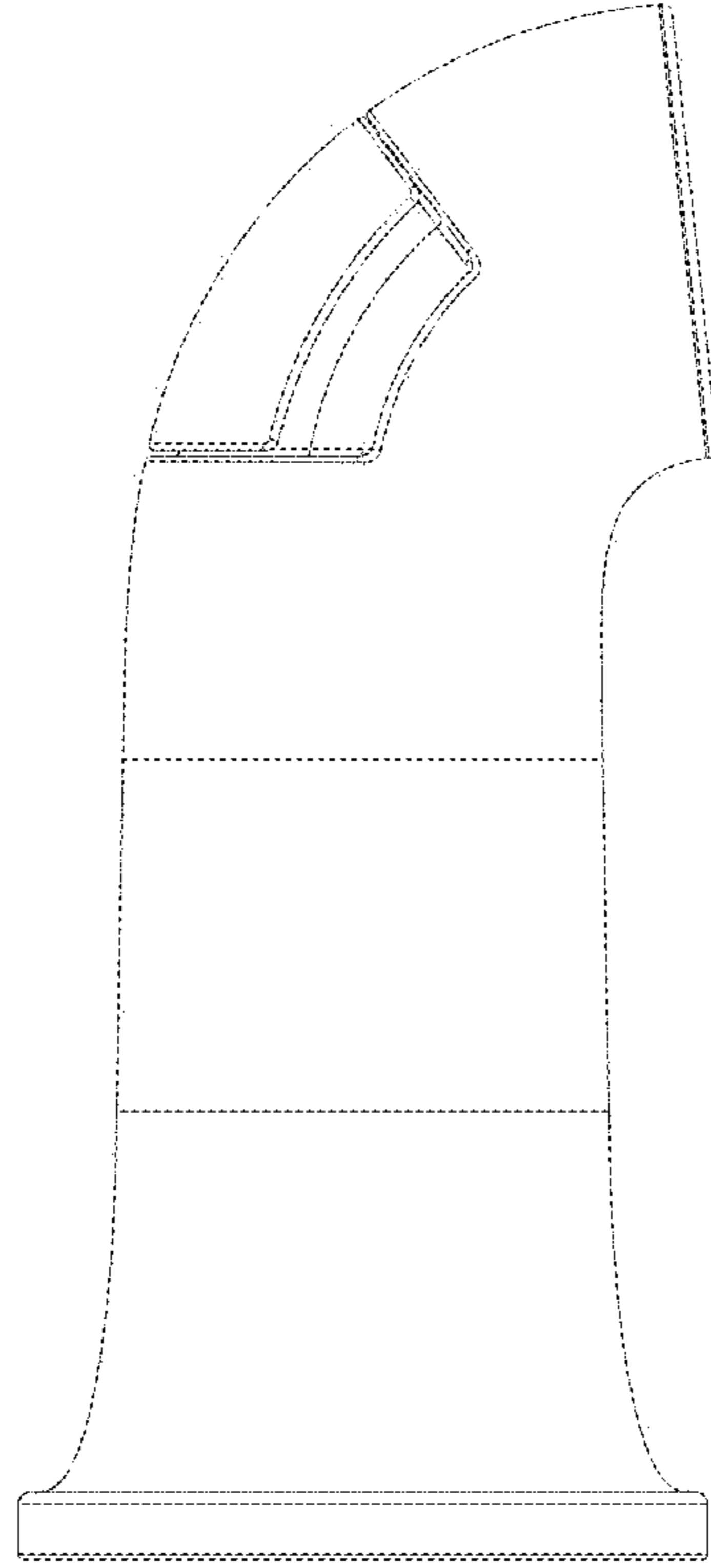


FIG - 6

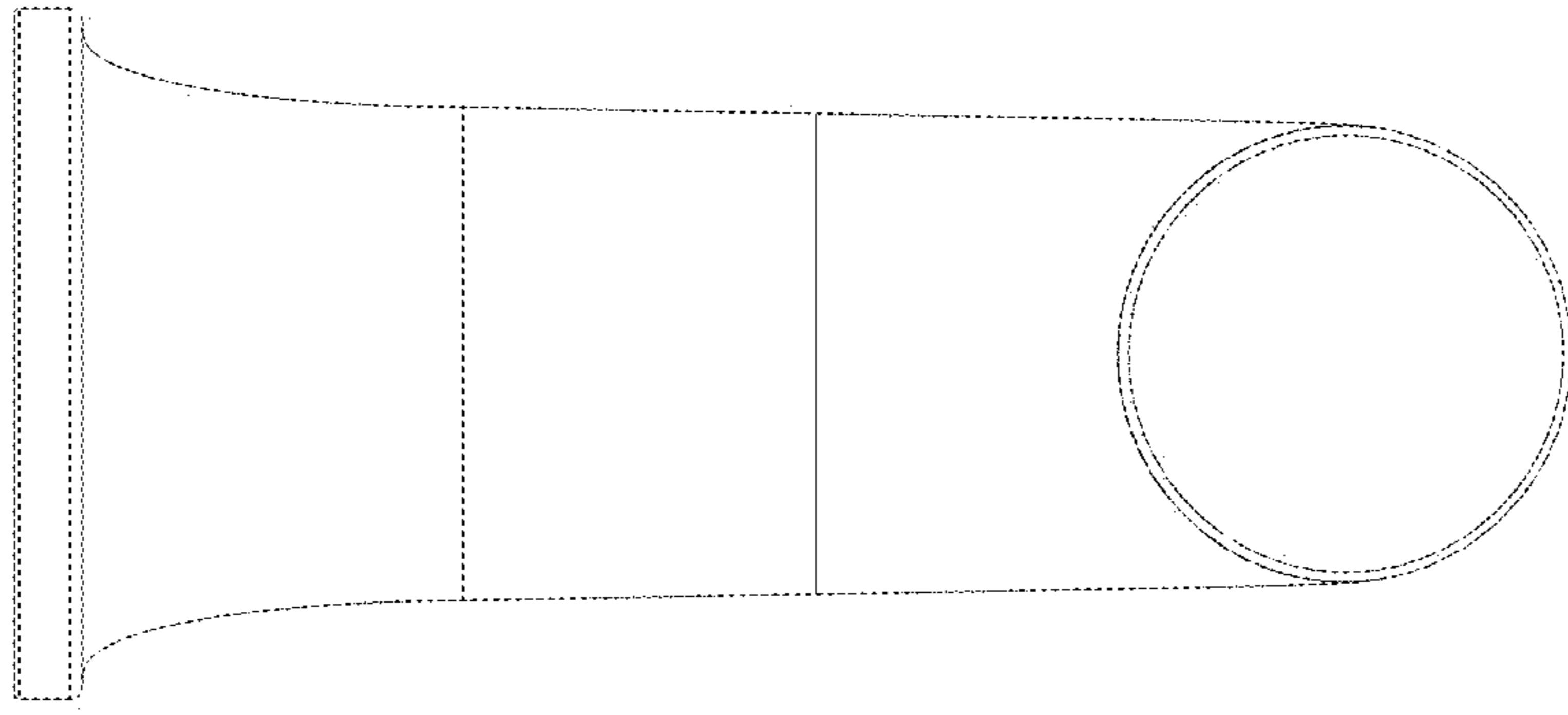


FIG - 8

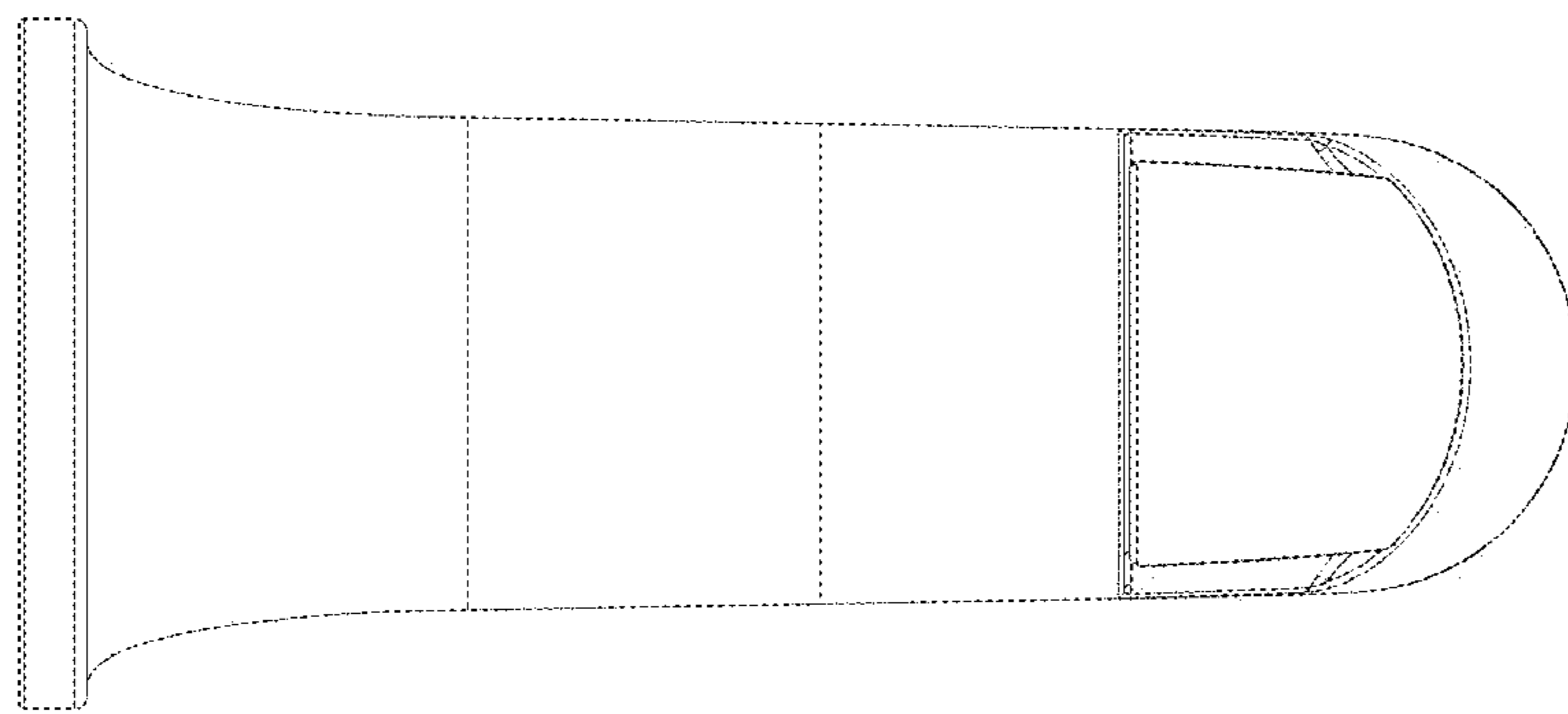


FIG - 7