



US00D954229S

(12) **United States Design Patent**
Hui

(10) **Patent No.:** **US D954,229 S**
(45) **Date of Patent:** **** Jun. 7, 2022**

(54) **FAUCET**

(71) Applicant: **Chen Hui**, Ruian (CN)

(72) Inventor: **Chen Hui**, Ruian (CN)

(**) Term: **15 Years**

(21) Appl. No.: **29/721,579**

(22) Filed: **Jan. 22, 2020**

(51) **LOC (13) Cl.** **23-01**

(52) **U.S. Cl.**
USPC **D23/255**

(58) **Field of Classification Search**

USPC D23/257, 249, 254, 259, 255, 233, 234,
D23/235, 236, 237, 238, 240, 241, 242,
D23/243, 244, 245, 246, 247, 248, 250,
D23/251, 252, 253, 256
CPC E03C 1/01; E03C 1/0409; E03C 1/025;
E03C 1/0408; Y10T 137/5339; Y10T
137/6014; Y10T 137/6021

See application file for complete search history.

(56) **References Cited**

U.S. PATENT DOCUMENTS

D417,262 S *	11/1999	Caplow	D23/255
D488,539 S *	4/2004	McKeone	D23/255
D518,557 S *	4/2006	Thun	D23/238
D524,922 S *	7/2006	Gilbert	D23/255
D685,060 S *	6/2013	Yu	D23/238
D721,793 S *	1/2015	McNinch	D23/255
D790,667 S *	6/2017	Schaubach	D23/252
D873,384 S *	1/2020	Guo	D23/255

OTHER PUBLICATIONS

Amazon, Delta Tolva Centerset faucet, posted May 9, 2017, [online], [visited Jun. 9, 2021]. Internet, <URL: <https://www.amazon.co.uk/Delta-Centerset-2-Handle-Bathroom-Stainless/dp/B0725GYH99/ref>> (Year: 2017).*

Amazon, NEWATER Double Handle Centerset Faucet, posted Aug. 12, 2019, [online], [visited Jun. 11, 2021]. Internet, <URL: <https://www.amazon.com/NEWATER-Waterfall-Centerset-Bathroom-Mounted%EF%BC%8CMatte/dp/B07WGBBR2B/ref>> (Year: 2019).*

Amazon, PARLOS Two Handle Waterfall Bathroom Faucet, posted Aug. 2, 2017, [online], [visited Jun. 11, 2021]. Internet, <URL: <https://www.amazon.com/PARLOS-Handles-Waterfall-Bathroom-Brushed/dp/B07DRBVFNR/ref>> (Year: 2017).*

* cited by examiner

Primary Examiner — Samantha Wood

(74) *Attorney, Agent, or Firm* — Rumit Ranjit Kanakia

(57) **CLAIM**

I claim the ornamental design for a faucet, as shown and described.

DESCRIPTION

FIG. 1 is a Perspective view of a faucet showing my new design;

FIG. 2 is a Front view thereof;

FIG. 3 is a Back view thereof;

FIG. 4 is a Right-side view thereof;

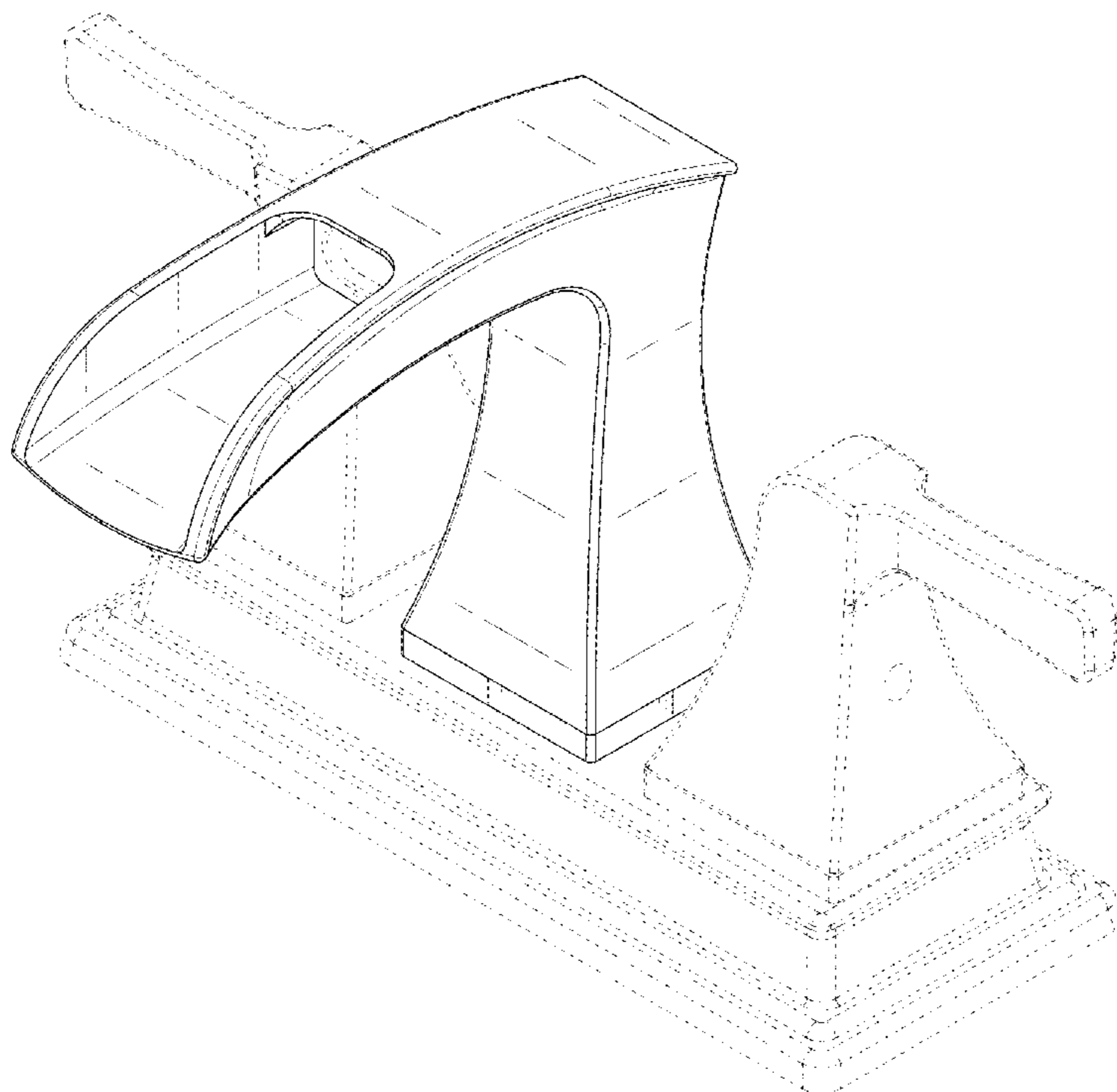
FIG. 5 is a Left-side view thereof;

FIG. 6 is a Top view thereof; and,

FIG. 7 is a Bottom view thereof.

The broken lines are only for environmental purposes and form no part of the claimed design.

1 Claim, 7 Drawing Sheets



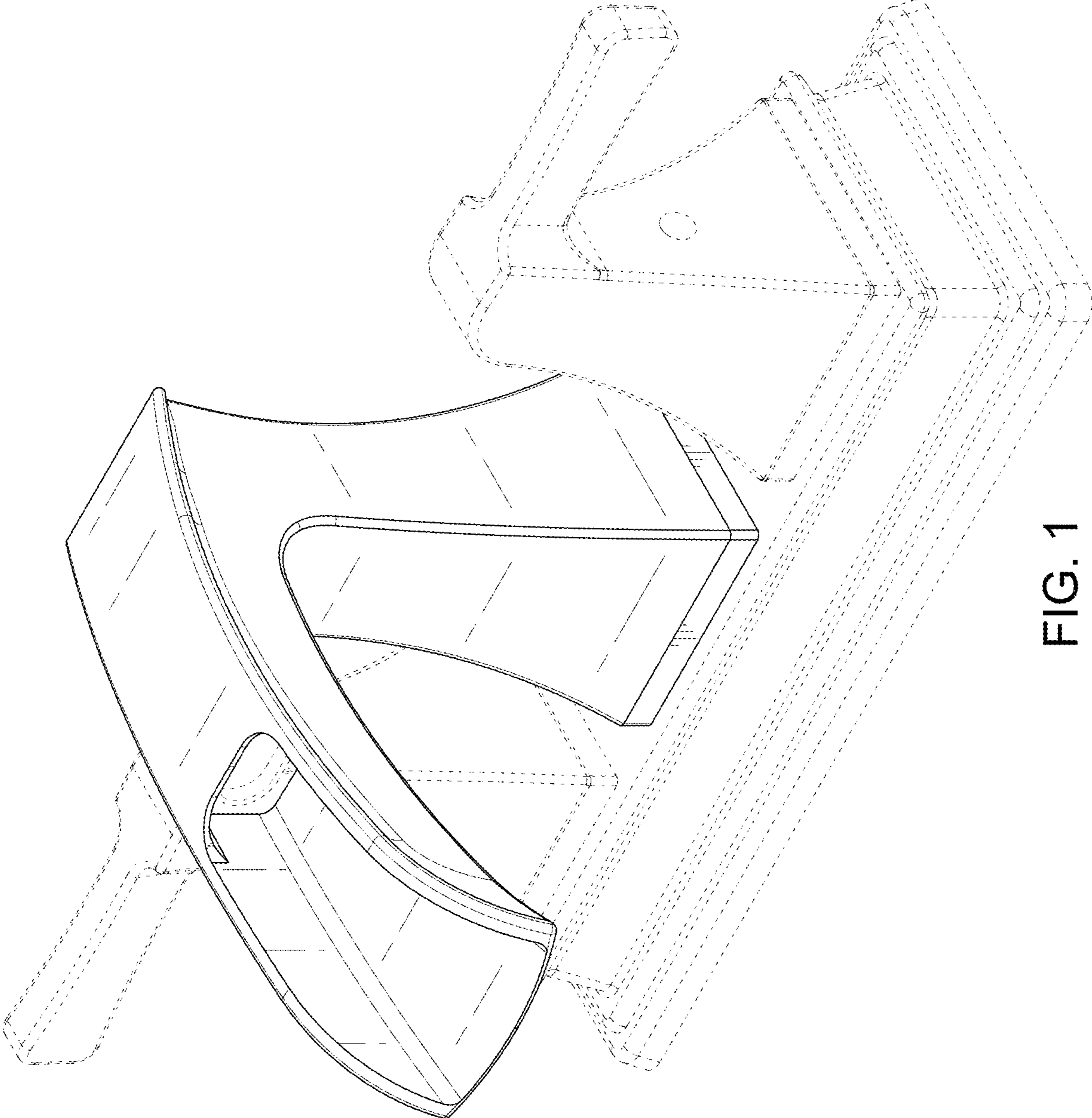


FIG. 1

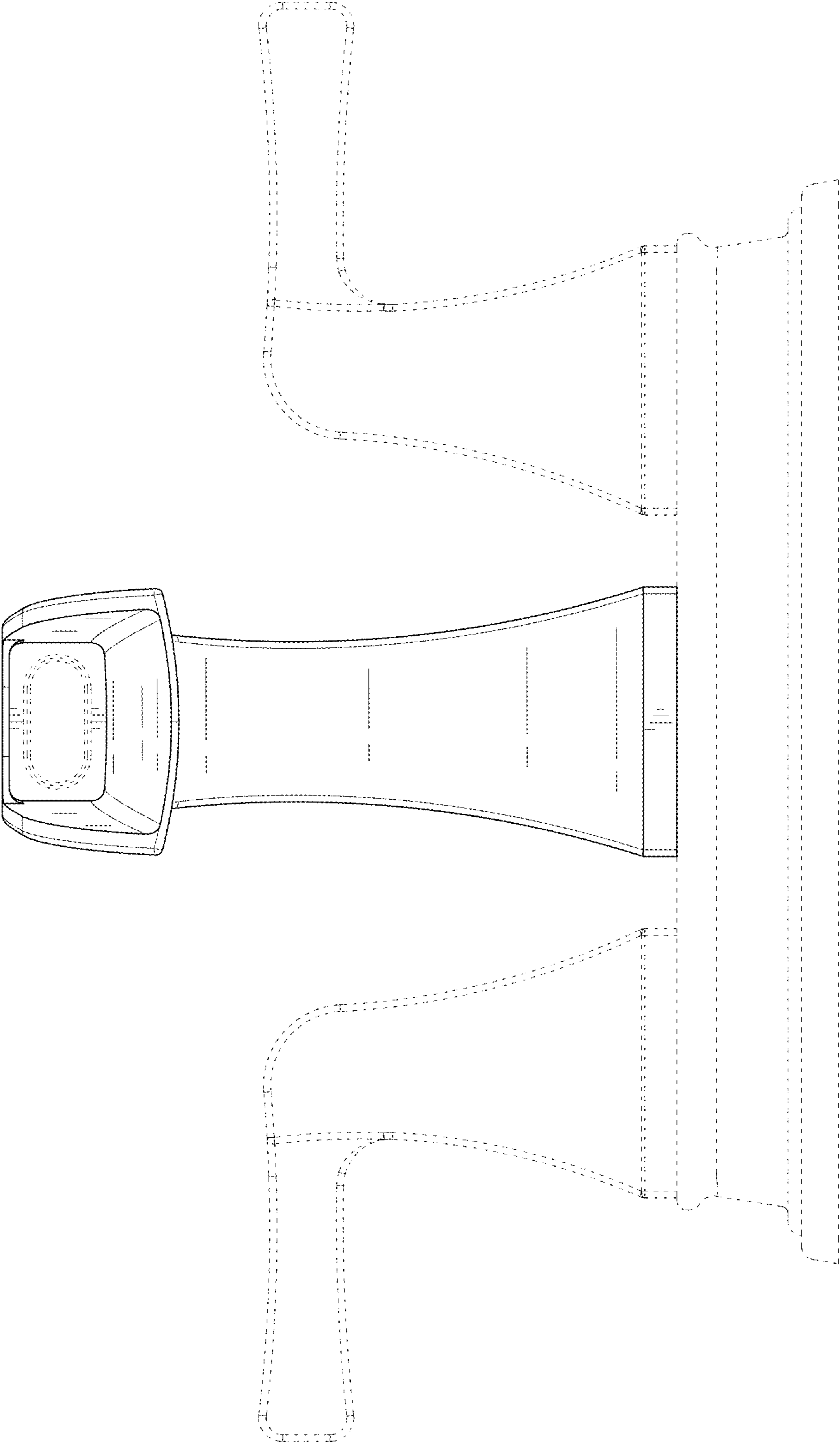


FIG. 2

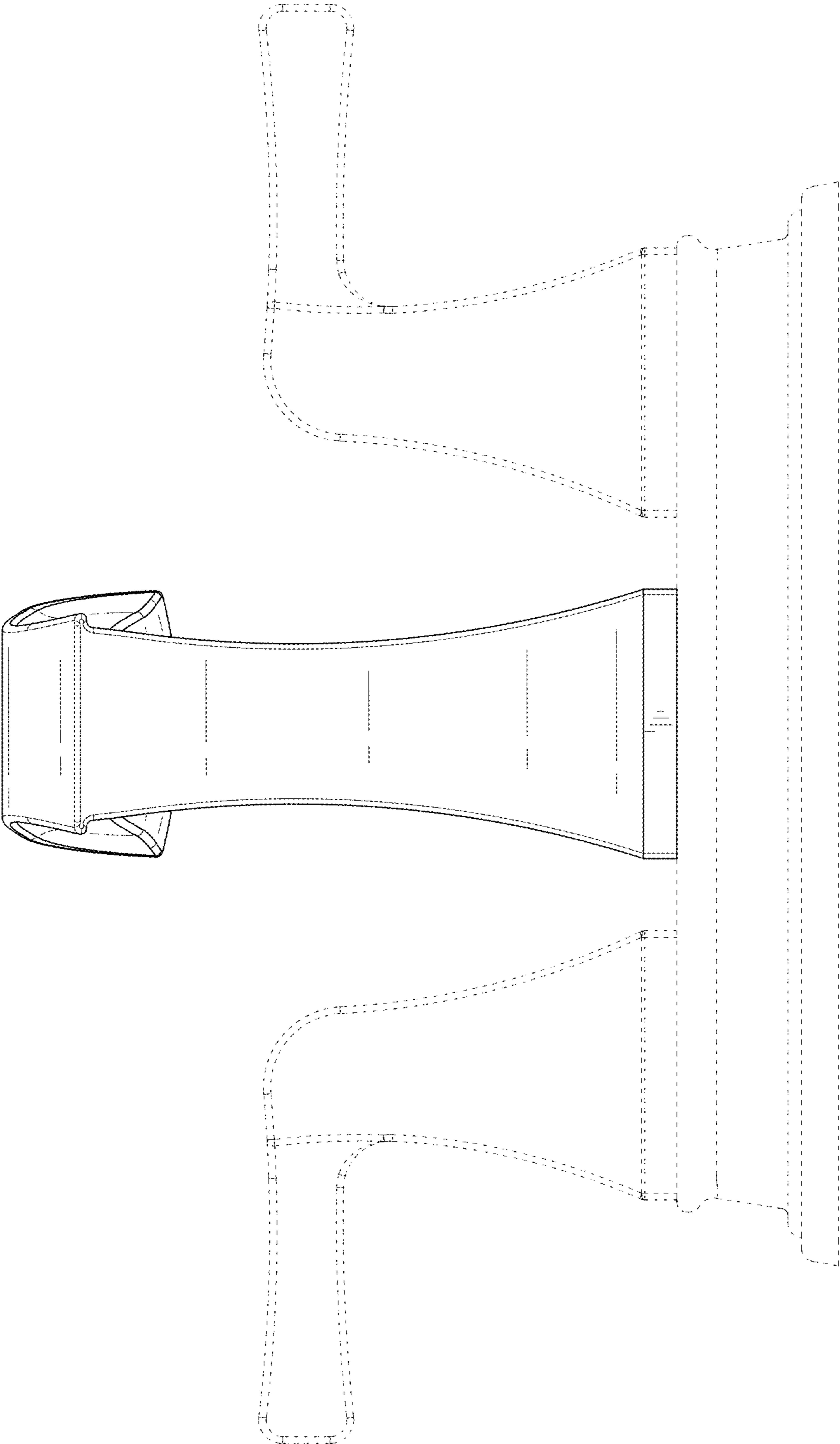


FIG. 3

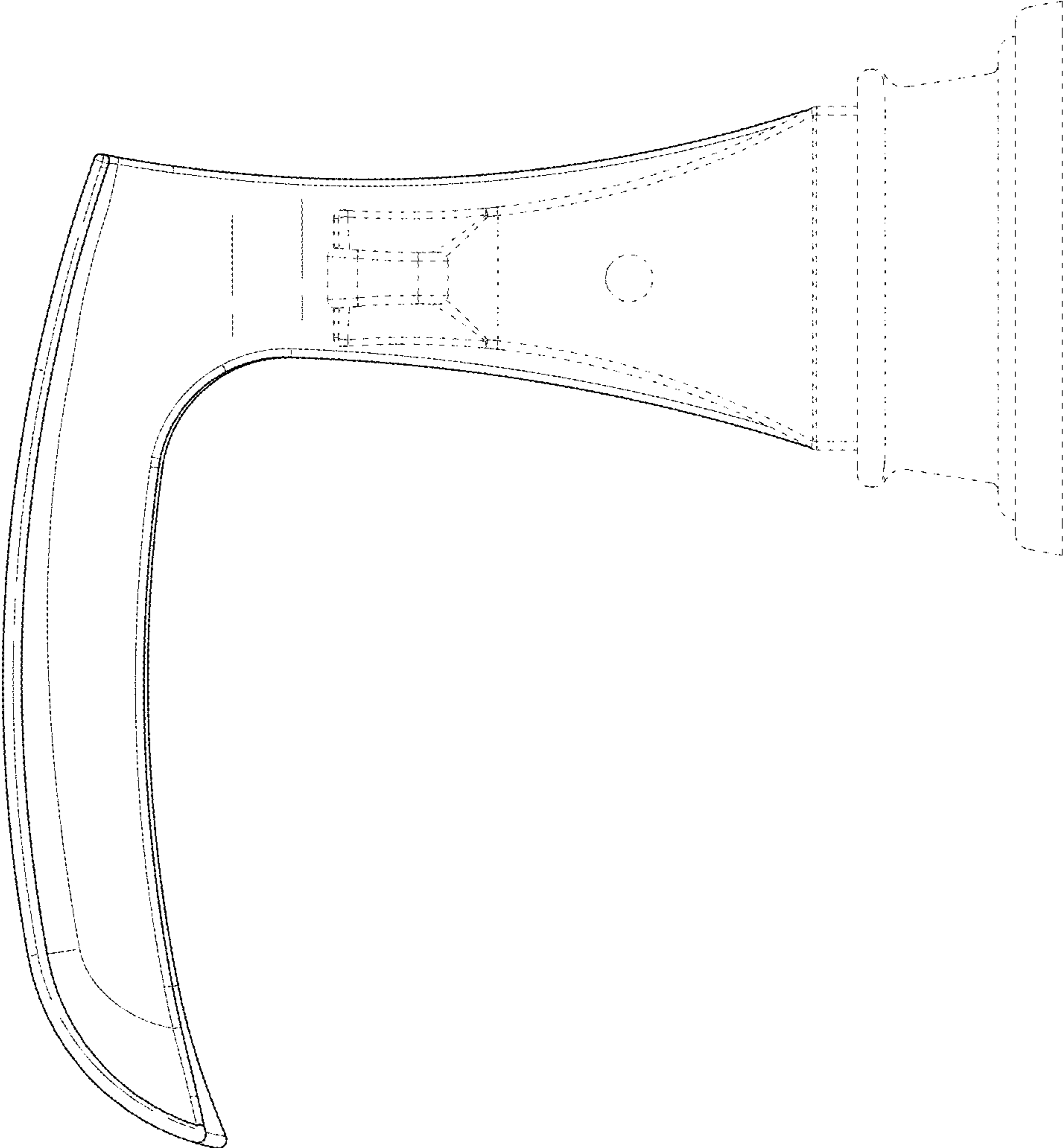


FIG. 4

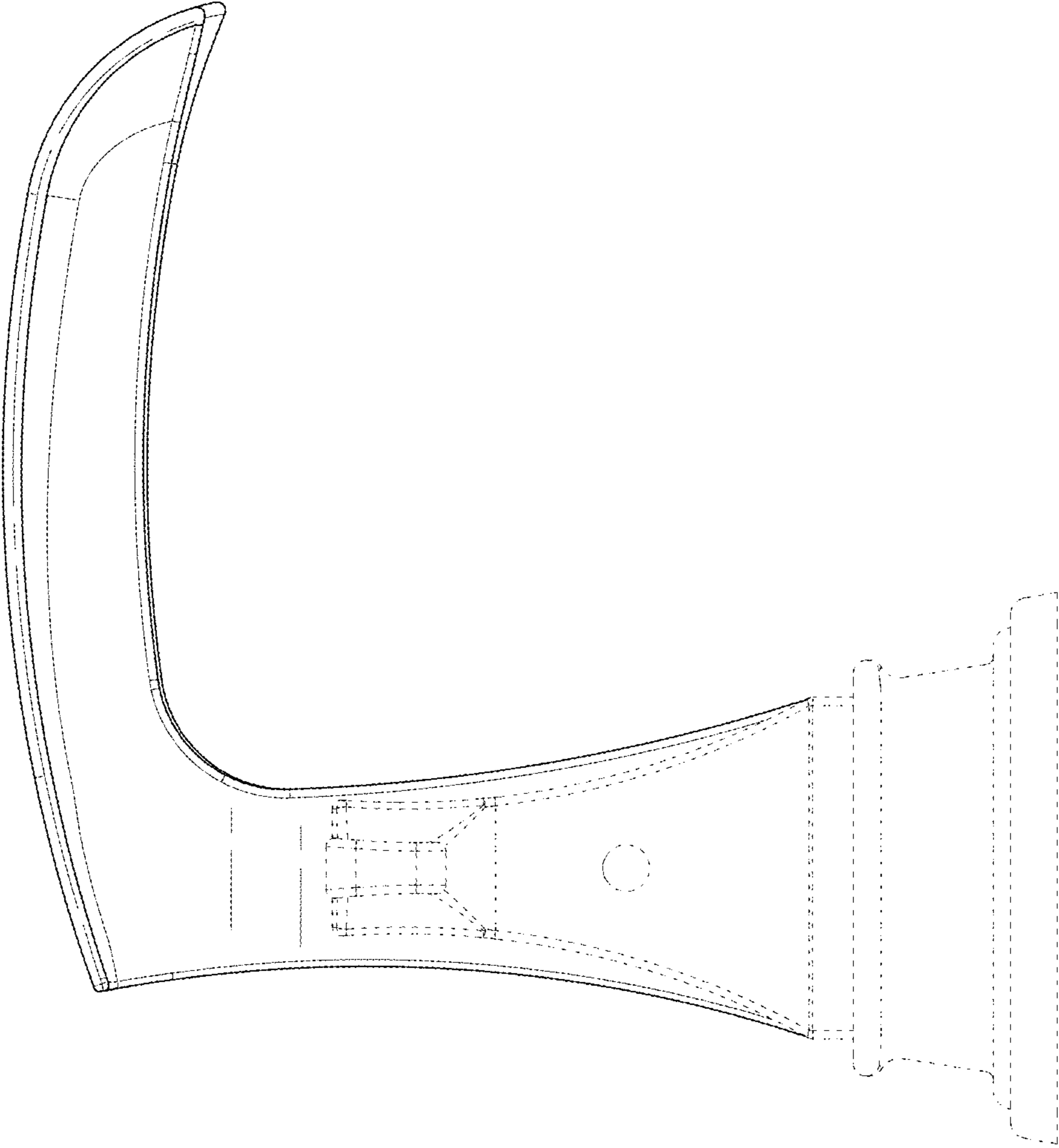


FIG. 5

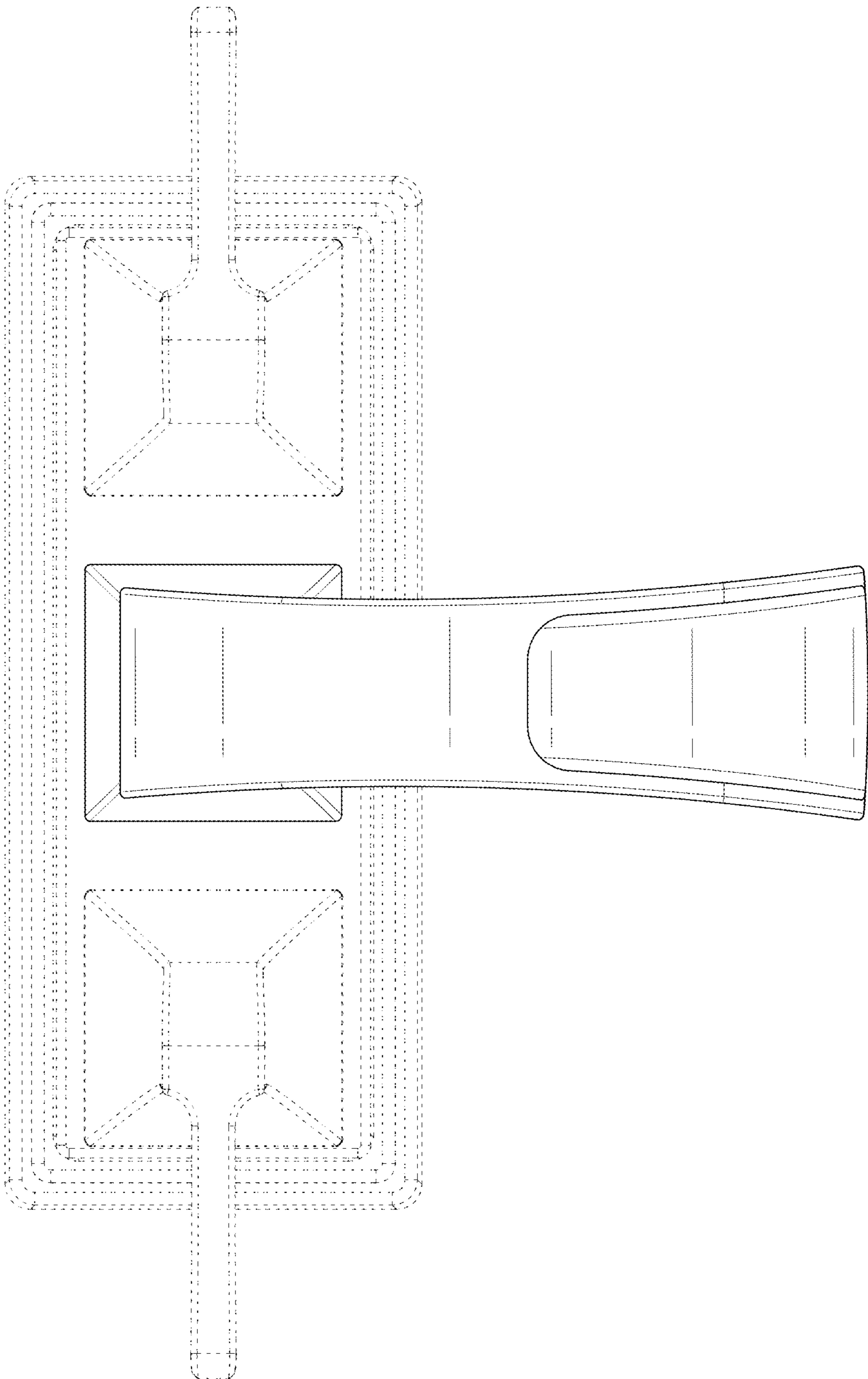


FIG. 6

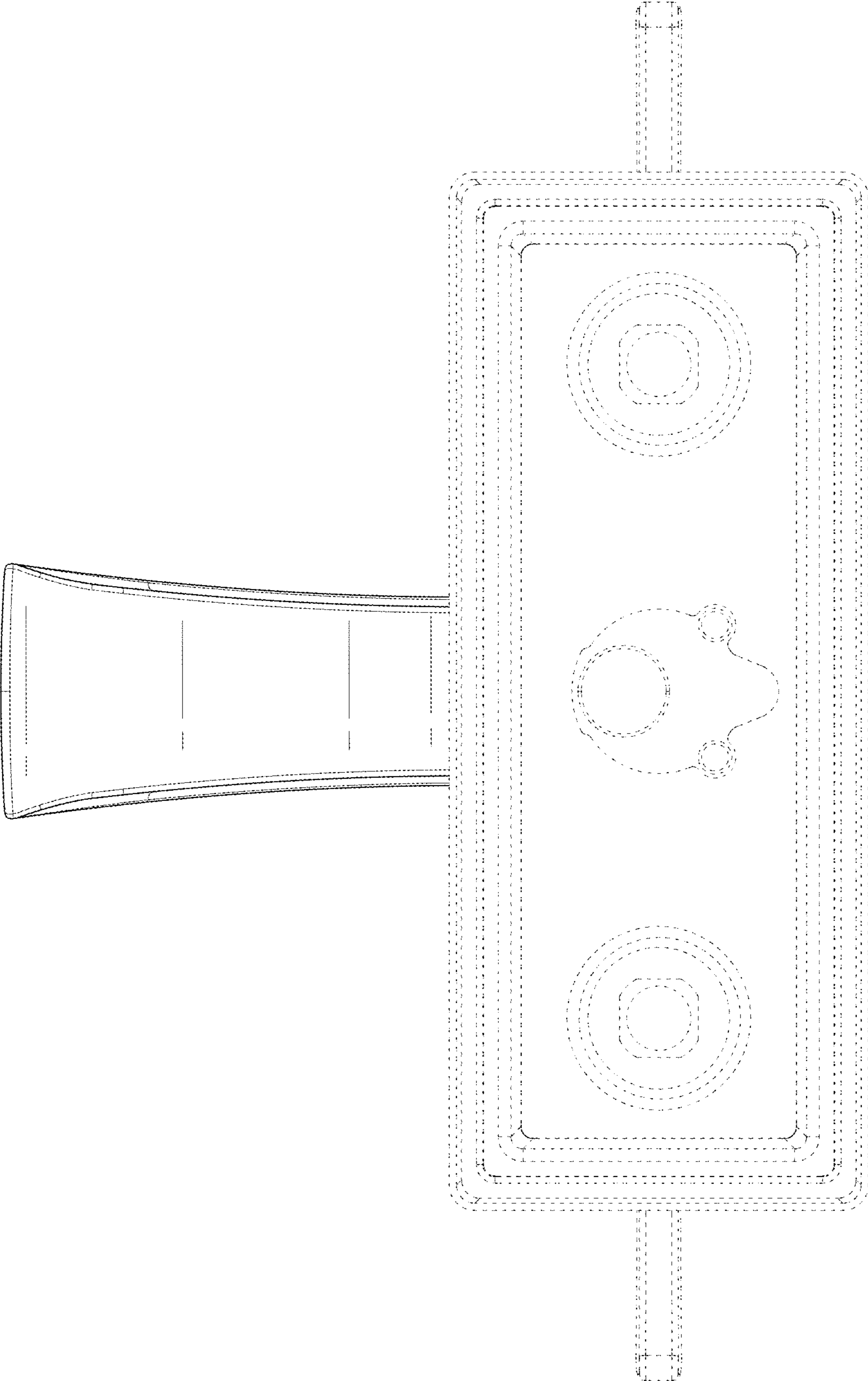


FIG. 7