



US00D954226S

(12) **United States Design Patent**  
**Wesson et al.**

(10) **Patent No.: US D954,226 S**  
(45) **Date of Patent: \*\* \*Jun. 7, 2022**

(54) **FAUCET AND SOAP DISPENSER SET**

5,215,216 A \* 6/1993 Van Marcke ..... A47K 5/1202  
222/1

(71) Applicant: **Bradley Fixtures Corporation**,  
Menomonee Falls, WI (US)

5,224,685 A 7/1993 Chiang et al.  
D341,741 S 11/1993 Allen et al.  
D341,875 S \* 11/1993 Allen ..... D23/238

(72) Inventors: **Darnell Wesson**, Menomonee Falls, WI (US); **Will Haas**, Menomonee Falls, WI (US); **Mark Meyer**, Menomonee Falls, WI (US); **Laura Stang**, Menomonee Falls, WI (US); **James A. Wollmer**, Menomonee Falls, WI (US); **Douglas Carpiaux**, Milwaukee, WI (US); **Emily Schoenfelder**, Milwaukee, WI (US)

(Continued)

**FOREIGN PATENT DOCUMENTS**

CA 2557704 A 2/2008  
WO WO-2006/058650 6/2006

**OTHER PUBLICATIONS**

Design Harmony with Verge Coordinated Soap Dispenser and Faucet Sets; Video Frame 0:45/0:54; YouTube Publish Date Feb. 28, 2020; Visited Online Dec. 14, 2020; [https://www.youtube.com/watch?v=nJR0jLCLLeEQ&feature=emb\\_logo](https://www.youtube.com/watch?v=nJR0jLCLLeEQ&feature=emb_logo) (Year: 2020) (Year: 2020).\*

(Continued)

*Primary Examiner* — Amy C Wierenga  
(74) *Attorney, Agent, or Firm* — Foley & Lardner LLP

(73) Assignee: **Bradley Fixtures Corporation**,  
Menomonee Falls, WI (US)

(\* ) Notice: This patent is subject to a terminal disclaimer.

(\*\*) Term: **15 Years**

(21) Appl. No.: **29/719,311**

(22) Filed: **Jan. 2, 2020**

**Related U.S. Application Data**

(62) Division of application No. 29/645,495, filed on Apr. 26, 2018, now Pat. No. Des. 886,240.

(51) **LOC (13) Cl.** ..... **23-01**

(52) **U.S. Cl.**  
USPC ..... **D23/255**; D6/542; D23/238; D23/239

(58) **Field of Classification Search**  
USPC ..... D23/255, 257, 238–243; D6/530, D6/542–545  
CPC . Y10T 137/9464; A47K 10/48; F16K 31/602; B05B 11/3014  
See application file for complete search history.

(57) **CLAIM**

We claim the ornamental design for a faucet and soap dispenser set, as shown and described.

**DESCRIPTION**

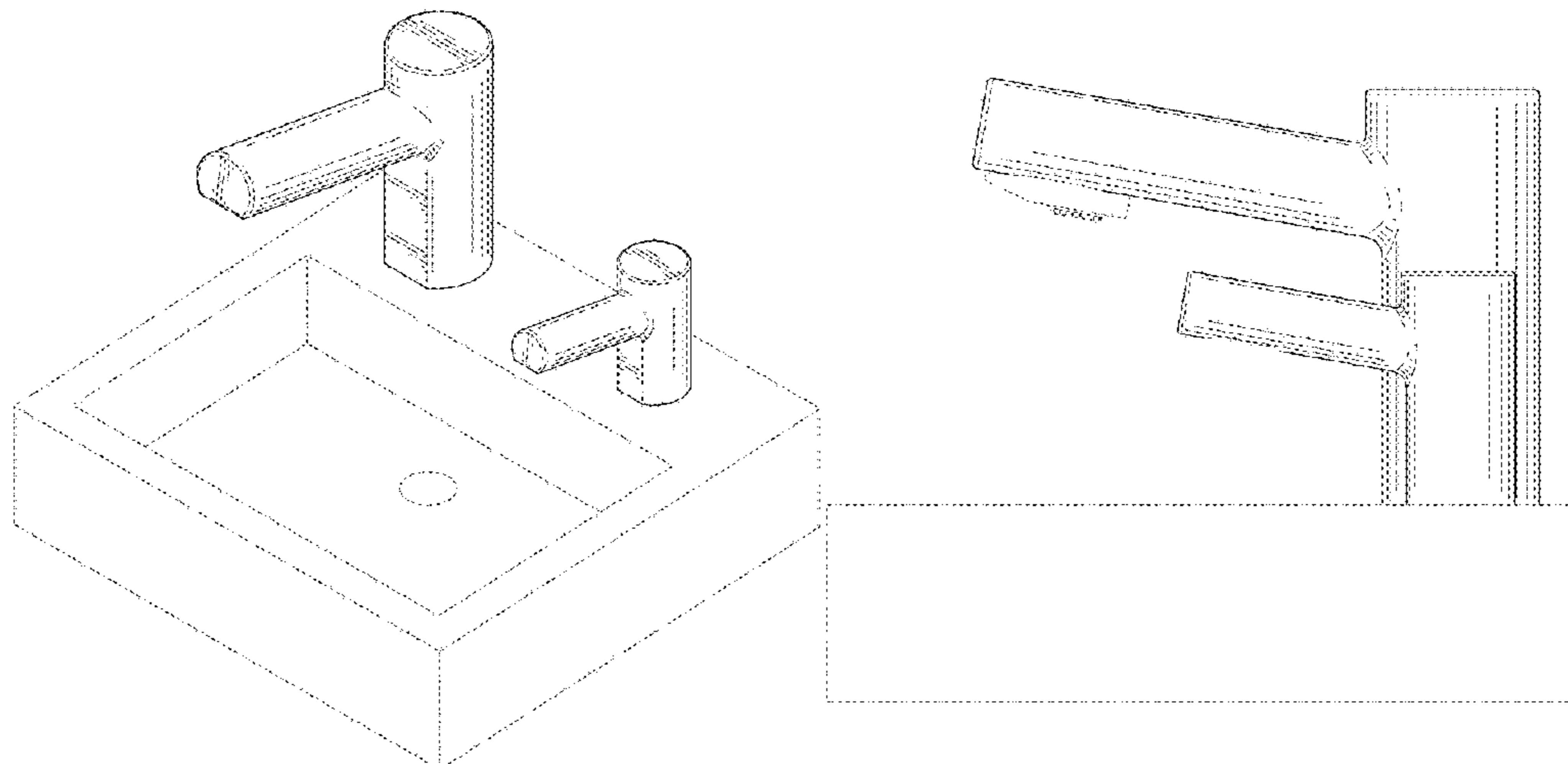
FIG. 1 is a front, right, perspective view of the faucet and soap dispenser set;  
FIG. 2 is a front side view of the claimed design;  
FIG. 3 is a rear side view of the claimed design;  
FIG. 4 is a right side view of the claimed design;  
FIG. 5 is a left side view of the claimed design; and,  
FIG. 6 is a top view of the claimed design.  
The ornamental design which is claimed is shown in solid lines in the drawings. The evenly dashed broken lines illustrate portions of the faucet and soap dispenser set and environment that form no part of the claimed design.

(56) **References Cited**

**U.S. PATENT DOCUMENTS**

5,189,393 A 2/1993 Hu  
D334,798 S \* 4/1993 Levien ..... D23/255

**1 Claim, 6 Drawing Sheets**



(56)

References Cited

U.S. PATENT DOCUMENTS

5,276,427 A 1/1994 Peterson  
 5,695,091 A 12/1997 Winings et al.  
 5,988,440 A 11/1999 Saunders et al.  
 5,988,451 A 11/1999 Hanna  
 D423,651 S 4/2000 Fabian  
 6,129,245 A 10/2000 Redman et al.  
 6,279,777 B1 8/2001 Goodin et al.  
 6,328,059 B1 12/2001 Testori et al.  
 6,345,738 B1 2/2002 Brozell et al.  
 6,467,651 B1\* 10/2002 Muderlak ..... A47K 5/1217  
 222/333  
 D465,270 S 11/2002 Gottwald  
 D465,560 S 11/2002 Singtoroj  
 6,502,721 B2 1/2003 Redman et al.  
 D488,539 S 4/2004 McKeone  
 7,025,227 B2\* 4/2006 Oliver ..... A47K 5/1217  
 222/180  
 D521,613 S 5/2006 Hoernig  
 D524,426 S 7/2006 Sallick et al.  
 D528,640 S 9/2006 Yoshioka  
 D531,699 S\* 11/2006 Haug ..... D23/238  
 D539,388 S\* 3/2007 Haug ..... D23/238  
 7,228,874 B2 6/2007 Bolderheij et al.  
 7,364,053 B2 4/2008 Ophardt  
 7,455,197 B2 11/2008 Ophardt  
 7,516,939 B2 4/2009 Bailey  
 7,527,174 B2 5/2009 Meehan et al.  
 D594,533 S\* 6/2009 Schoenherr ..... D23/238  
 D608,419 S 1/2010 Kohler et al.  
 D608,863 S 1/2010 Pan  
 D615,162 S 5/2010 Pan  
 D615,629 S 5/2010 Bouroullec et al.  
 D620,083 S 7/2010 Zhang  
 7,753,087 B2 7/2010 Rhodenbaugh et al.  
 D622,526 S 8/2010 Dai  
 7,766,189 B2 8/2010 Shaw et al.  
 D624,630 S 9/2010 Matsuura et al.  
 7,799,189 B2 9/2010 Barclay et al.  
 D636,061 S\* 4/2011 Kulig ..... D23/238  
 D636,062 S\* 4/2011 Rubin ..... D23/238  
 8,579,157 B2 11/2013 Bem et al.  
 D703,968 S 5/2014 Hardy  
 8,880,865 B2 11/2014 Abernethy et al.  
 D718,954 S 12/2014 Konishi  
 D721,426 S\* 1/2015 Bartlett ..... D23/290  
 8,950,628 B2 2/2015 Muderlak et al.  
 9,133,607 B2 9/2015 Schoolcraft et al.  
 D744,617 S\* 12/2015 Schoolcraft ..... D23/255  
 9,271,613 B2 3/2016 Rosko et al.  
 D759,210 S\* 6/2016 Schoolcraft ..... D23/255  
 9,427,117 B2 8/2016 Barclay  
 9,497,428 B2 11/2016 Gaisser et al.  
 9,579,613 B2 2/2017 Fawcett et al.  
 D785,757 S\* 5/2017 Murray ..... D23/238  
 D787,644 S\* 5/2017 Hong ..... D23/255  
 9,681,780 B2 6/2017 Ciavarella et al.  
 9,687,121 B2 6/2017 Ciavarella et al.  
 D793,762 S 8/2017 Yuan  
 D809,107 S\* 1/2018 Schoenherr ..... D23/255  
 D809,629 S\* 2/2018 Streng ..... D23/240  
 D810,242 S\* 2/2018 Schoenherr ..... D23/239  
 10,278,549 B1\* 5/2019 Carignan ..... A47K 5/1211  
 D886,240 S\* 6/2020 Wesson ..... D23/239  
 D916,500 S\* 4/2021 Johnson ..... D6/542  
 2002/0185500 A1\* 12/2002 Muderlak ..... A47K 5/1217  
 222/1  
 2003/0071074 A1 4/2003 Redman et al.  
 2004/0164093 A1 8/2004 Redman et al.

2005/0133529 A1 6/2005 Redman et al.  
 2007/0108230 A1 5/2007 Doyle et al.  
 2007/0204925 A1 9/2007 Bolderheij et al.  
 2009/0101679 A1\* 4/2009 Muderlak ..... A47K 5/16  
 222/375  
 2010/0180367 A1 7/2010 Elsener et al.  
 2012/0287031 A1 11/2012 Valko et al.  
 2013/0020351 A1 1/2013 Pelfrey  
 2013/0075420 A1 3/2013 Tramontina et al.  
 2014/0263420 A1 9/2014 Lambrix et al.  
 2014/0263421 A1 9/2014 Urban et al.  
 2014/0332566 A1 11/2014 Peteri  
 2015/0042789 A1 2/2015 Inwood et al.  
 2015/0090737 A1 4/2015 Ciavarella et al.  
 2015/0108168 A1 4/2015 Truedsson  
 2015/0157754 A1 6/2015 Rutter et al.  
 2015/0206415 A1 7/2015 Wegelin et al.  
 2015/0223646 A1 8/2015 Wegelin et al.  
 2015/0251892 A1 9/2015 Ciavarella et al.  
 2015/0268342 A1 9/2015 Iott et al.  
 2015/0327730 A1\* 11/2015 McNulty ..... B05B 7/0037  
 222/1  
 2016/0263604 A1\* 9/2016 Ramdhiansing ..... A47K 5/1211  
 2016/0296080 A1 10/2016 Jeunen  
 2016/0309966 A1 10/2016 Ciavarella et al.  
 2017/0011239 A1 1/2017 Chapman et al.  
 2017/0022692 A1 1/2017 Wang et al.  
 2017/0027390 A1 2/2017 Maercovich  
 2017/0112329 A1 4/2017 Babikian  
 2017/0131130 A1 5/2017 Wegelin  
 2017/0135530 A1 5/2017 Macleod et al.  
 2017/0138025 A1 5/2017 Burgo et al.  
 2017/0143171 A1 5/2017 Ophardt et al.  
 2017/0183853 A1 6/2017 Crist et al.  
 2017/0190563 A1\* 7/2017 Proper ..... B67D 7/0288  
 2017/0190565 A1 7/2017 Proper et al.  
 2017/0319014 A1 11/2017 Ophardt et al.

OTHER PUBLICATIONS

Bradley 6-3300 Verge TM Deck-Mounted Soap Dispenser-Metro Series; Spec. PDF Publish Date Sep. 30, 2020; Visited Online Jan. 11, 2022; [https://www.bradleycorp.com/mediamanager/view/25683/Bradley\\_Soap\\_Metro\\_6-3300.pdf](https://www.bradleycorp.com/mediamanager/view/25683/Bradley_Soap_Metro_6-3300.pdf) (Year: 2020).\*

Bradley S53-3300 Verge TM Faucet-Metro Series; Spec. PDF Publish Date Sep. 10, 2021; Visited Online Jan. 11, 2022; [https://www.bradleycorp.com/mediamanager/view/25680/Bradley\\_Faucets\\_Metro\\_S53-3300.pdf](https://www.bradleycorp.com/mediamanager/view/25680/Bradley_Faucets_Metro_S53-3300.pdf) (Year: 2021).\*

Design In Harmony Brochure; Soap + Faucet Verge Coordinated Soap Dispenser and Faucet Sets; Commercial Washrooms. Brought to Life, Bradely. Copyright 2022; Visited Online Jan. 11, 2022; [https://www.bradleycorp.com/mediamanager/view/25871/4298\\_Verge-Faucet-and-Soap-Brochure.pdf](https://www.bradleycorp.com/mediamanager/view/25871/4298_Verge-Faucet-and-Soap-Brochure.pdf) (Year: 2022).\*

ESD-2101 CP Soap Dispenser W/ Below Deck Pump, Soap & Faucet; Website Copyright 1991-2019; Air Delights website; Visited Online Sep. 22, 2019; <https://www.airdelights.com/3346099--ESD-2101-CP-Soap-Dispenser-w-below-deck-pump-soap-and-faucet.html> (Year: 2019), 3 pps.

Sensor-Operated Soap Dispenser, Spec. Sheet Copyright 2017.

Sloan ESD-501 Electronic BASYS Faucet and Soap Dispenser; Pro Dryers Website Copyright 2019; Visited Online Sep. 22, 2019; [https://www.prodryers.com/Sloan-ESD-501-BASYS-Faucet-and-Soap-Dispenser-p/3346086.htm?gclid=EALalQobChMI6dPw7K715AIVC5yzCh2hlwpeEAkYAiABEGkYc\\_D\\_BwE](https://www.prodryers.com/Sloan-ESD-501-BASYS-Faucet-and-Soap-Dispenser-p/3346086.htm?gclid=EALalQobChMI6dPw7K715AIVC5yzCh2hlwpeEAkYAiABEGkYc_D_BwE) (Year: 2019), 12 pps.

Sloan Optima Faucet EAF-100-LT, Nov. 16, 2017, 2 pages.

\* cited by examiner

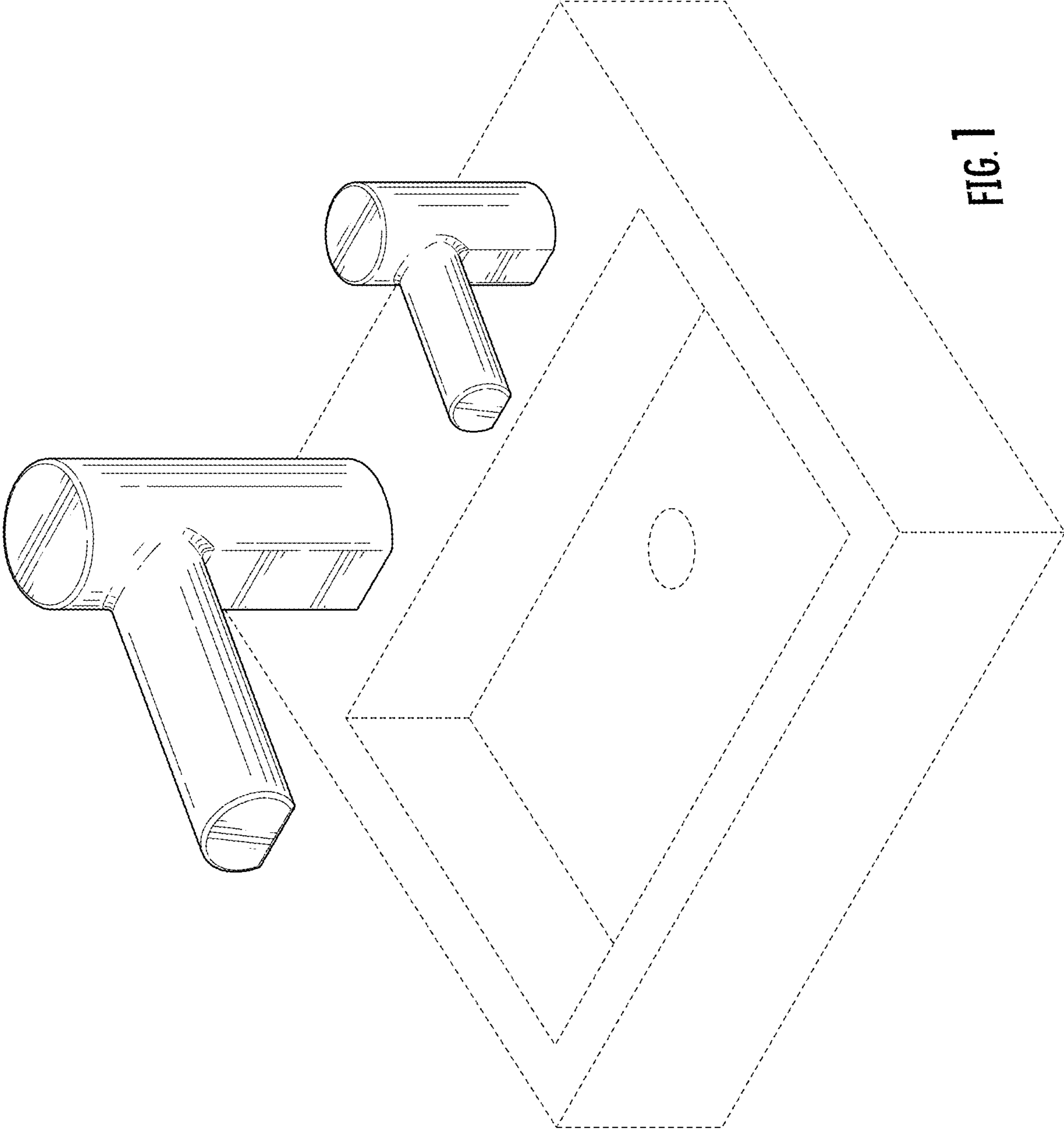


FIG. 1

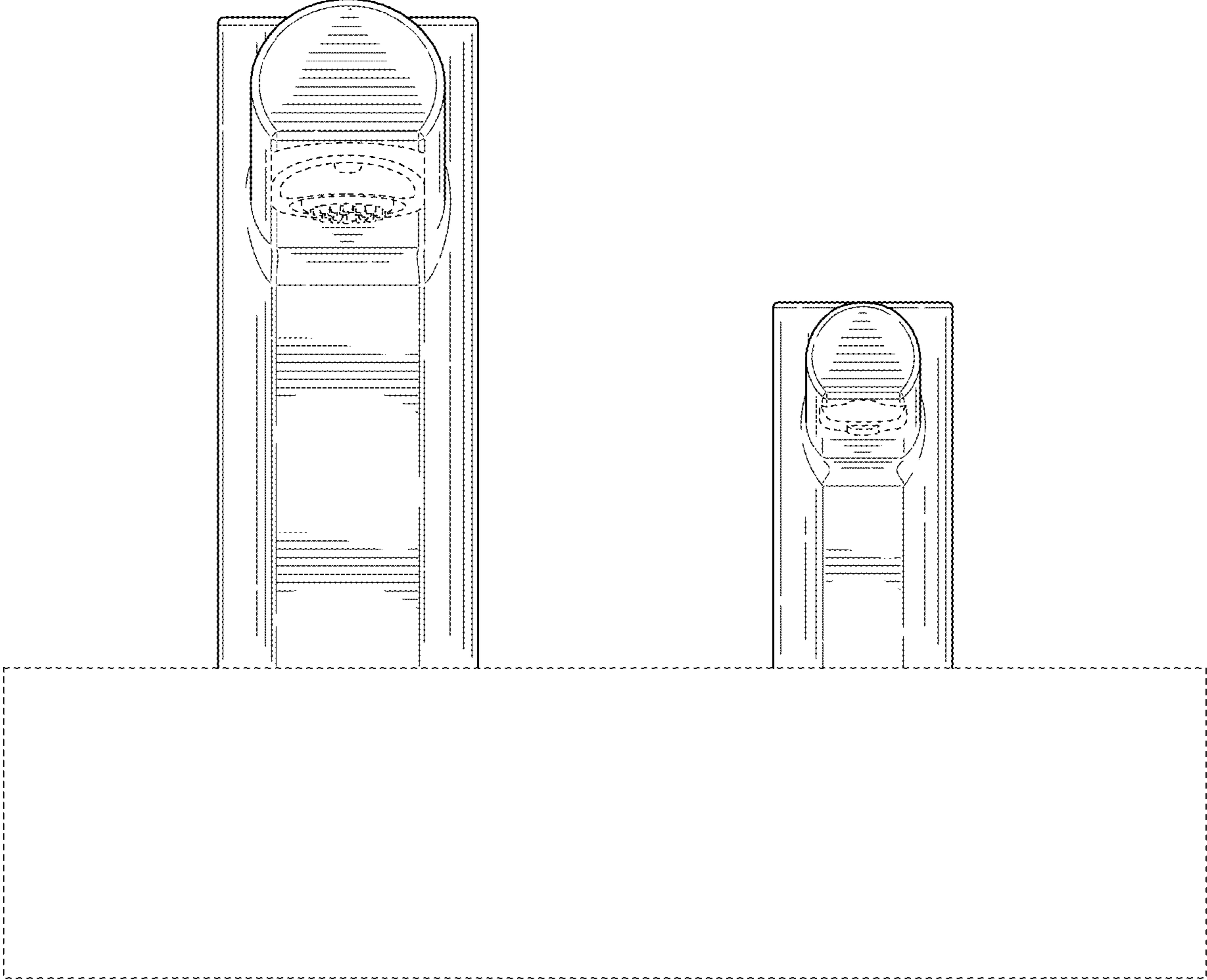
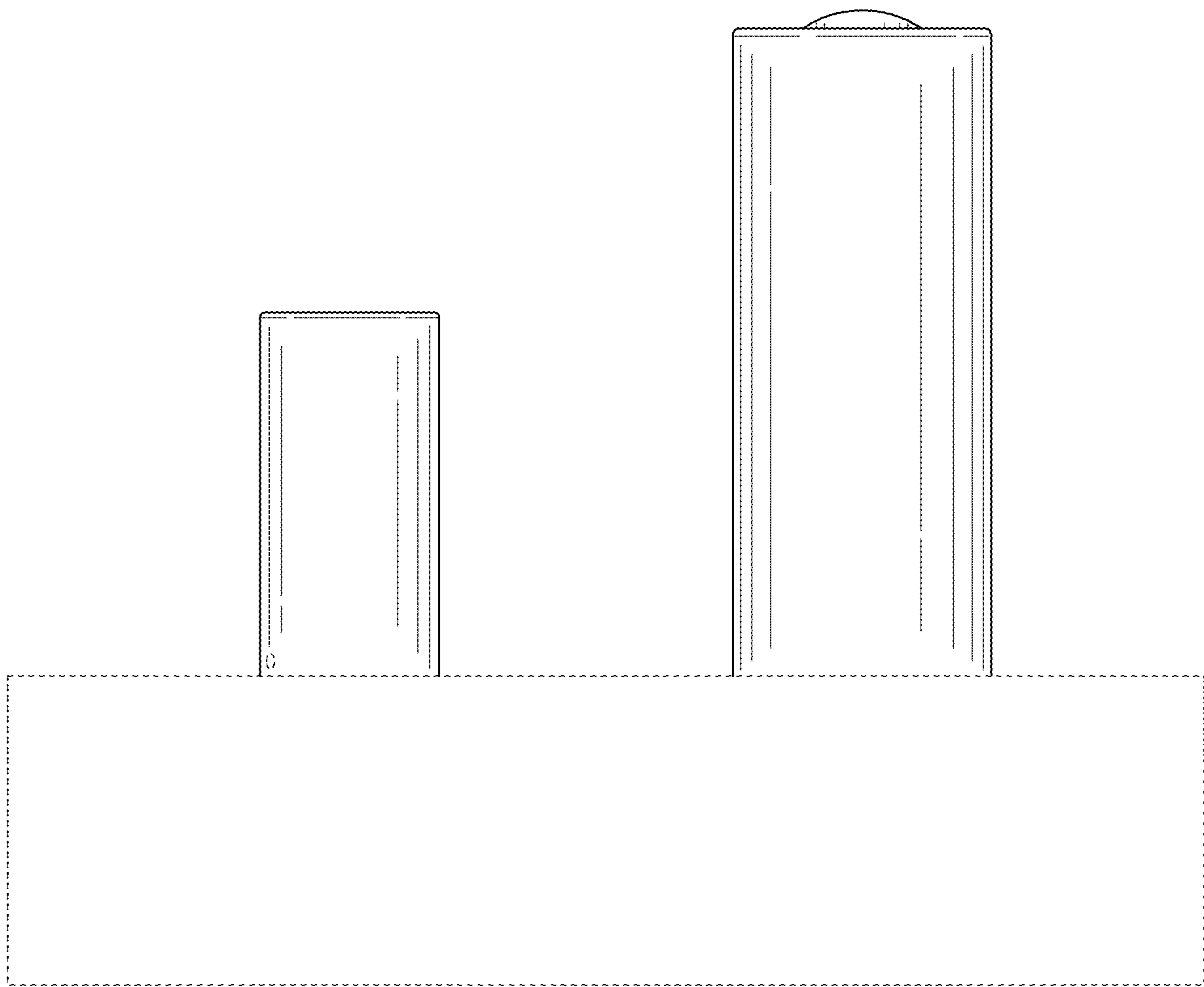
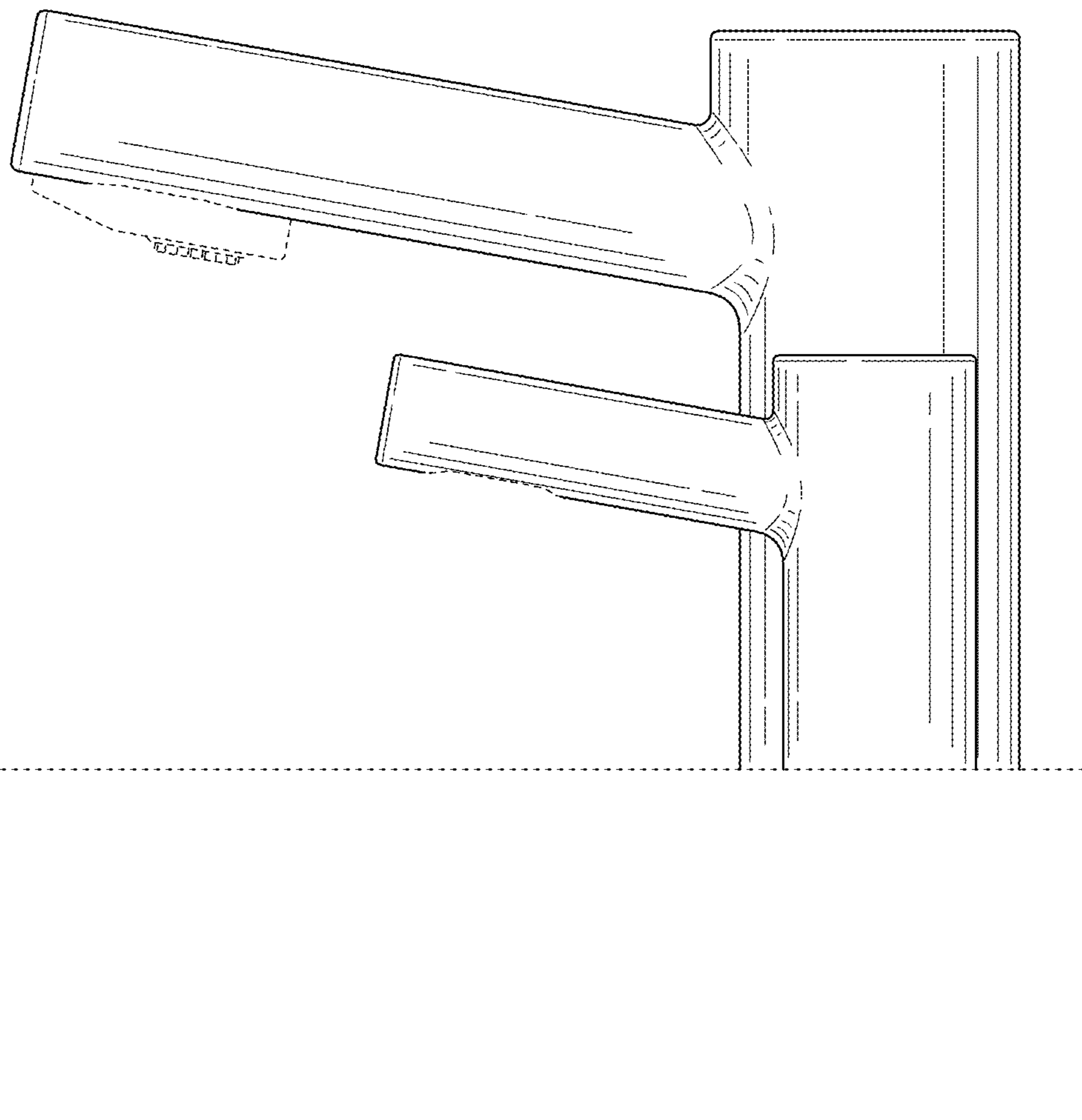


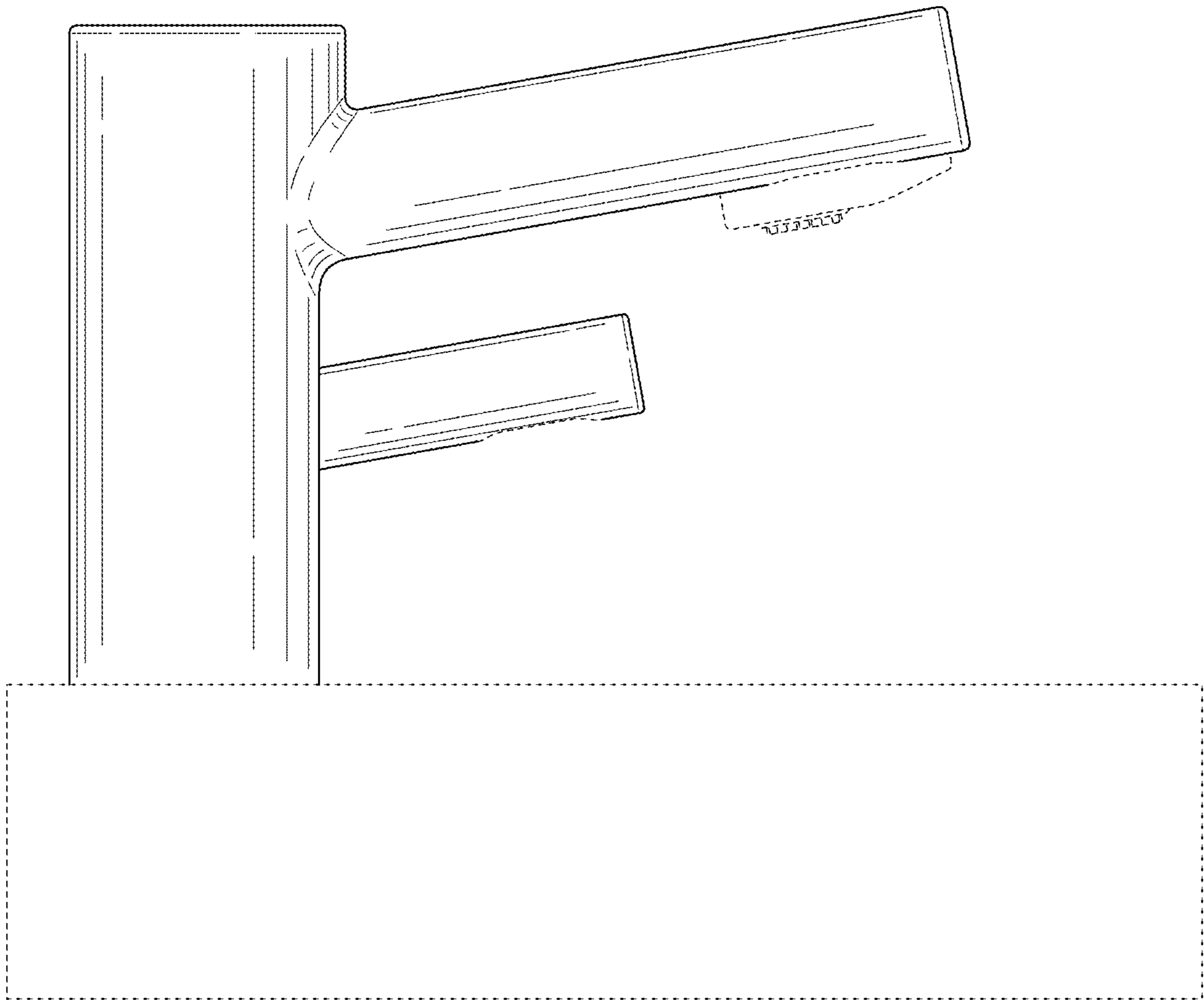
FIG. 2



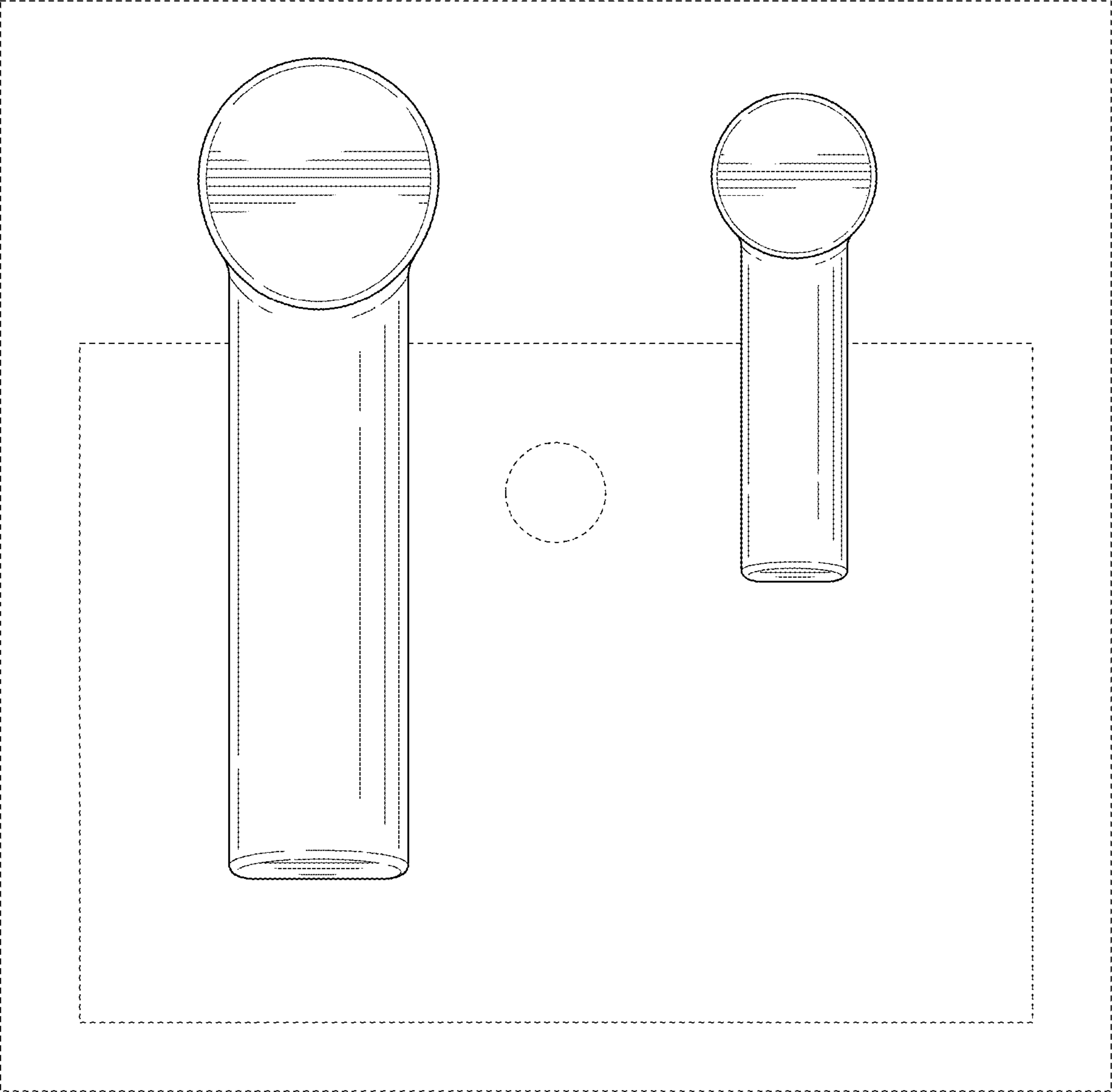
**FIG. 3**



**FIG.4**



**FIG. 5**



**FIG. 6**