



US00D954225S

(12) **United States Design Patent**
Stoler

(10) **Patent No.:** **US D954,225 S**

(45) **Date of Patent:** **** Jun. 7, 2022**

- (54) **FAUCET BODY**
- (71) Applicant: **DELTA FAUCET COMPANY**,
Indianapolis, IN (US)
- (72) Inventor: **Benjamin David Stoler**, Carmel, IN
(US)
- (73) Assignee: **DELTA FAUCET COMPANY**,
Indianapolis, IN (US)
- (**) Term: **15 Years**
- (21) Appl. No.: **29/711,415**
- (22) Filed: **Oct. 31, 2019**
- (51) **LOC (13) Cl.** **23-01**
- (52) **U.S. Cl.**
USPC **D23/255**
- (58) **Field of Classification Search**
USPC D23/257, 249, 254, 259, 255, 233, 234,
D23/235, 236, 237, 238, 239, 240, 241,
D23/242, 243, 244, 245, 246, 247, 248,
D23/250, 251, 252, 253, 256
CPC E03C 1/01; E03C 1/0409; E03C 1/025;
E03C 1/0408; Y10T 137/5339; Y10T
137/6014; Y10T 137/6021
See application file for complete search history.

D790,670 S *	6/2017	Downey	D23/255
D791,281 S *	7/2017	Schaubach	D23/242
D791,283 S *	7/2017	Schaubach	D23/255
D797,898 S *	9/2017	Bennett	D23/255
D827,106 S *	8/2018	Rexach	D23/255

FOREIGN PATENT DOCUMENTS

IN 248212 * 9/2012

OTHER PUBLICATIONS

Amazon, EZANDA Widespread Waterfall bathroom faucet, posted Mar. 26, 2019, [online], [visited Jun. 2, 2021]. Internet, <URL: <https://www.amazon.co.uk/EZANDA-2-Handles-Widespread-Waterfall-Bathroom/dp/B07Q2CPWZQ/ref>> (Year: 2019).*

Amazon, Hapilife Basin Waterfall Sink, posted Sep. 18, 2015, [online], [visited Jun. 2, 2021]. Internet, <URL: <https://www.amazon.co.uk/Hapilife-Stunning-Waterfall-Bathroom-Monobloc/dp/B015J00302/ref>> (Year: 2015).*

* cited by examiner

Primary Examiner — Samantha Wood
 (74) *Attorney, Agent, or Firm* — Nirav D. Parikh; Edgar A. Zarins

(57) **CLAIM**

The ornamental design for a faucet body, as shown and described.

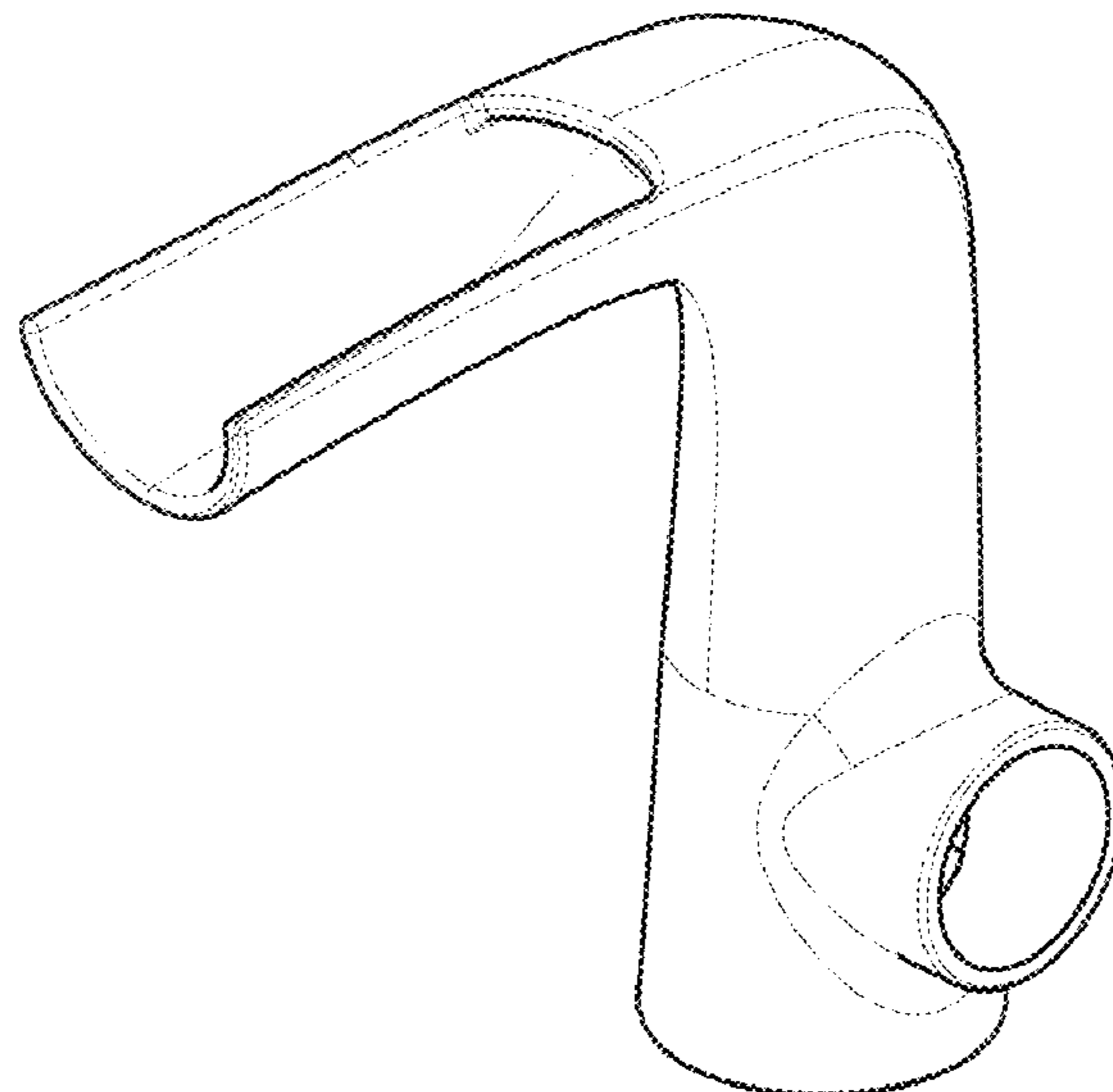
DESCRIPTION

FIG. 1 is a front perspective view of a faucet body showing my new design;
 FIG. 2 is a rear perspective view thereof;
 FIG. 3 is a front elevational view thereof;
 FIG. 4 is a left side view thereof;
 FIG. 5 is a rear elevational view thereof;
 FIG. 6 is a right side view thereof; and,
 FIG. 7 is a top plan view thereof.

1 Claim, 4 Drawing Sheets

(56) **References Cited**
 U.S. PATENT DOCUMENTS

D312,681 S *	12/1990	Kohler, Jr.	D23/255
D321,039 S *	10/1991	Robbins	D23/255
D326,504 S *	5/1992	Robbins	D23/255
D511,811 S *	11/2005	Lord	D23/238
D550,331 S *	9/2007	Soriano	D23/255
D680,195 S *	4/2013	Lord	D23/255
D683,432 S *	5/2013	Berger	D23/242
D687,523 S *	8/2013	Garland	D23/257
D692,105 S *	10/2013	Garland	D23/238
D692,536 S *	10/2013	Newson	D23/238
D718,427 S *	11/2014	Fritz	D23/257



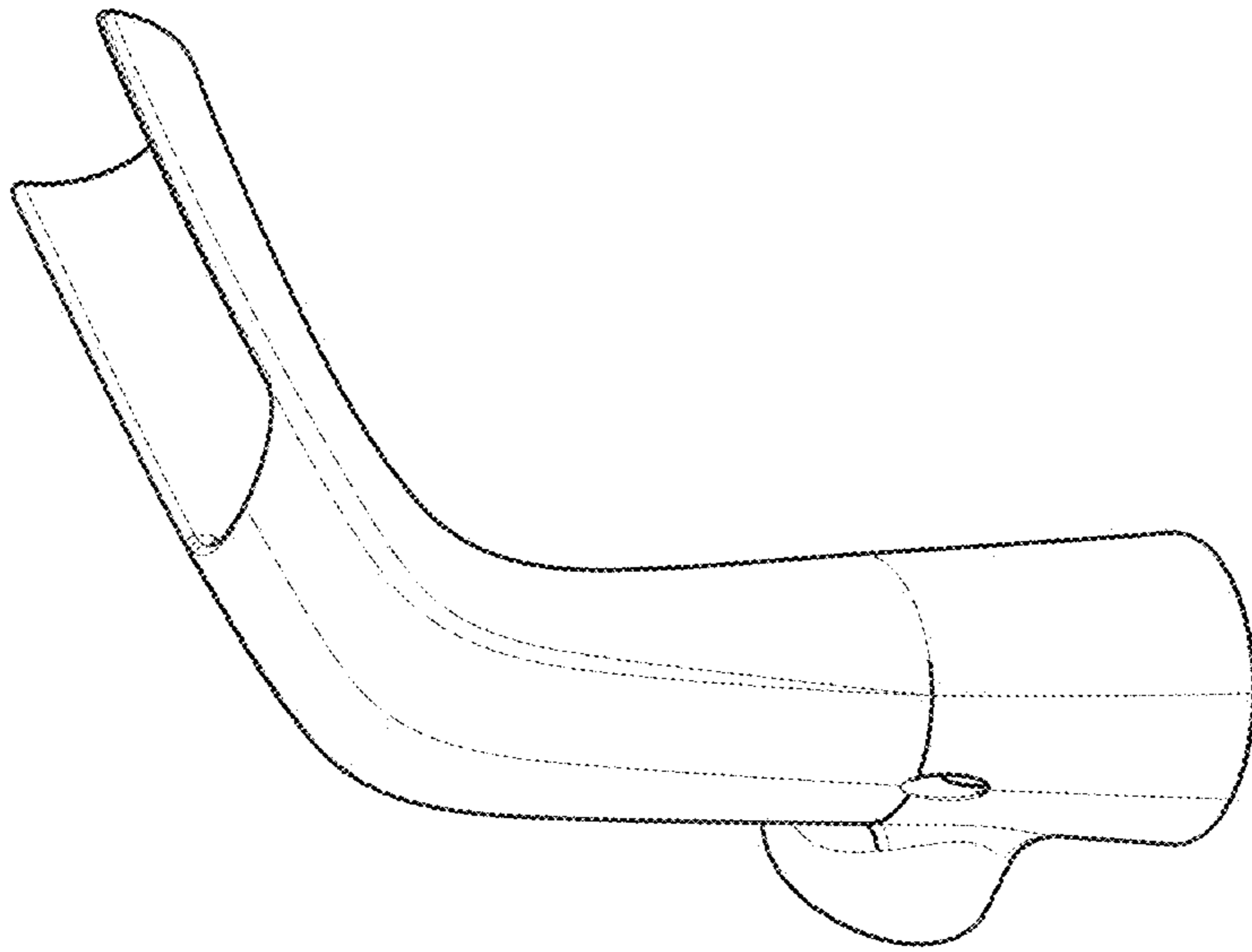


FIG. - 2

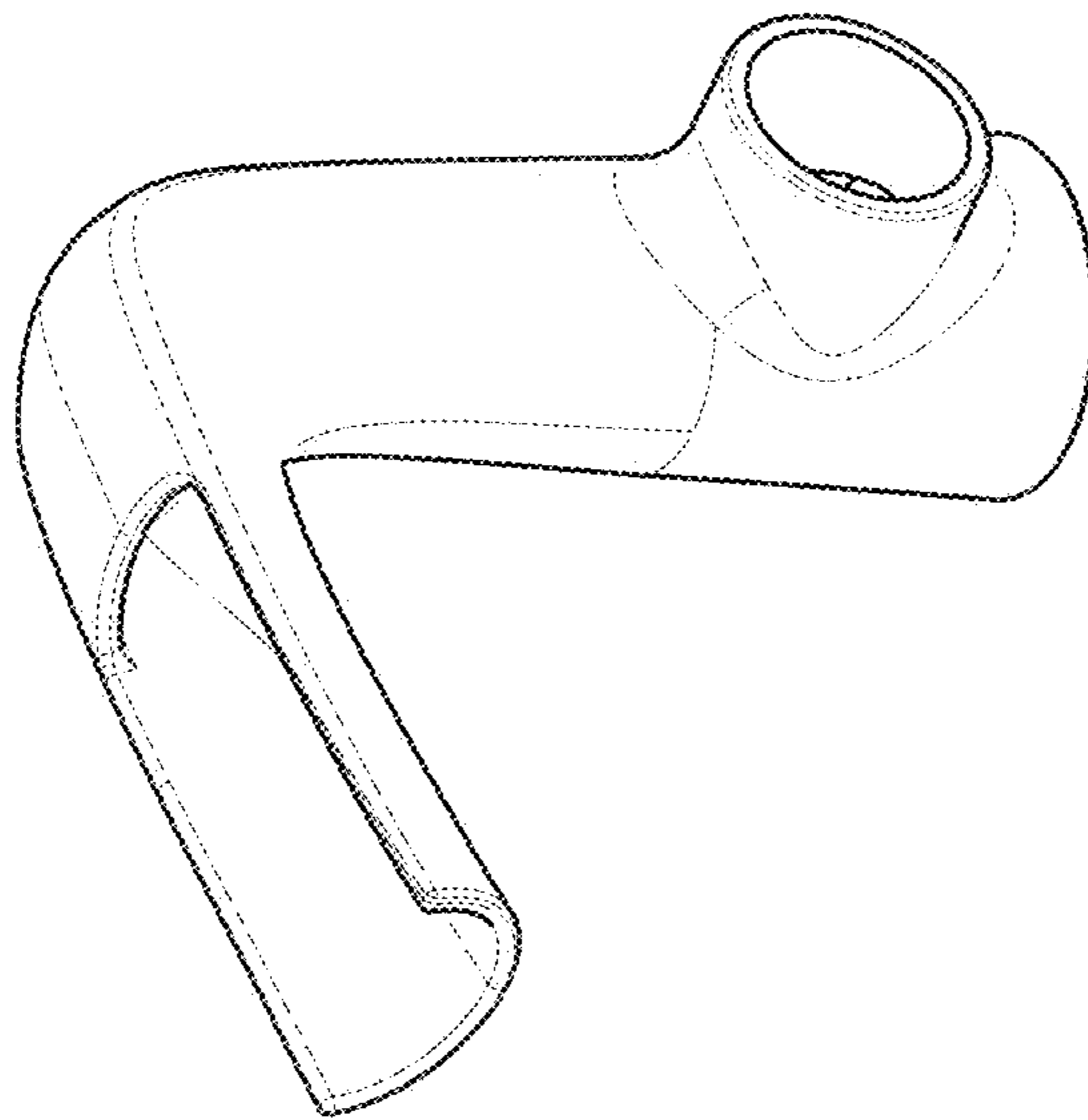


FIG. - 1

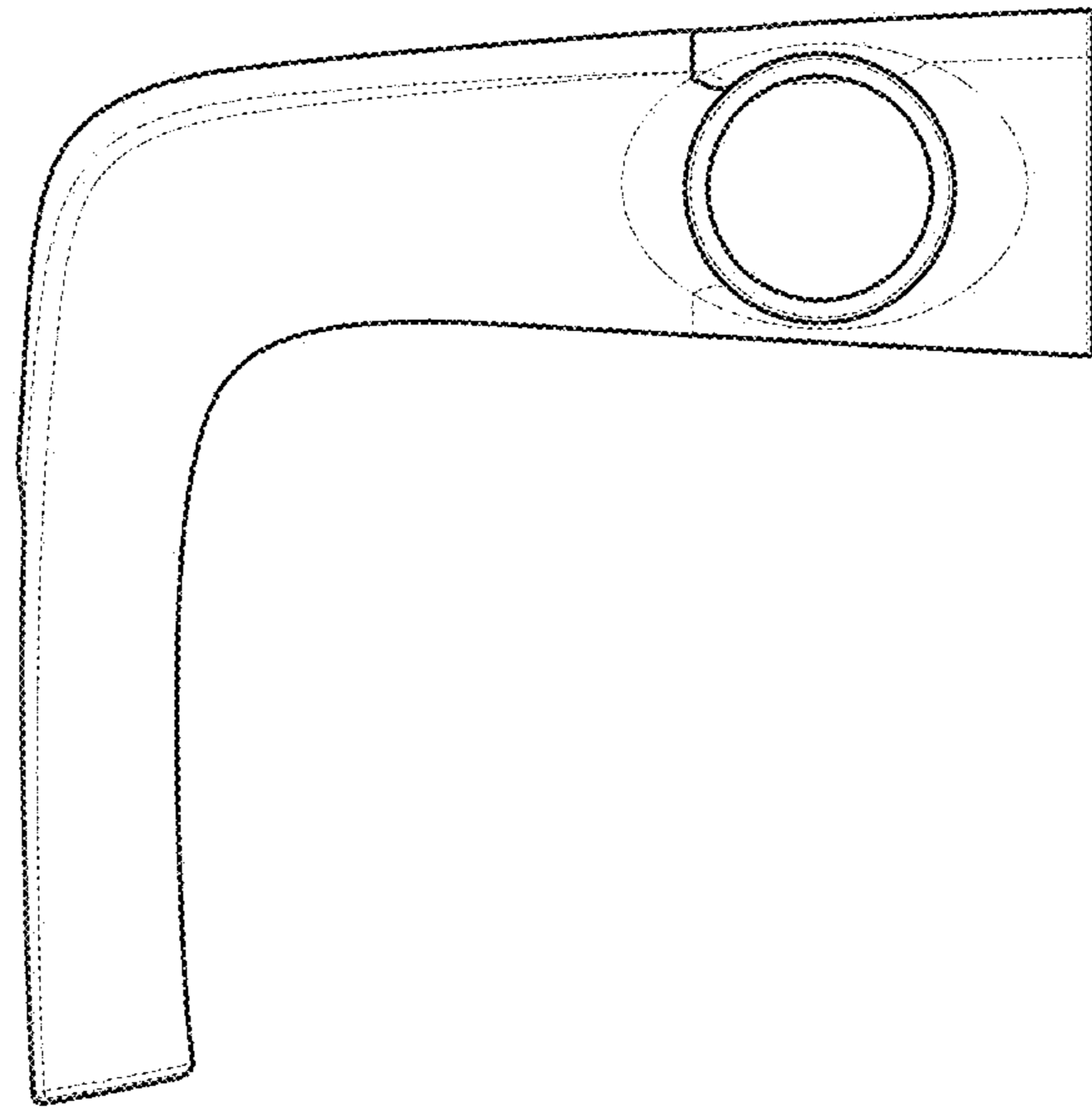


FIG. 4

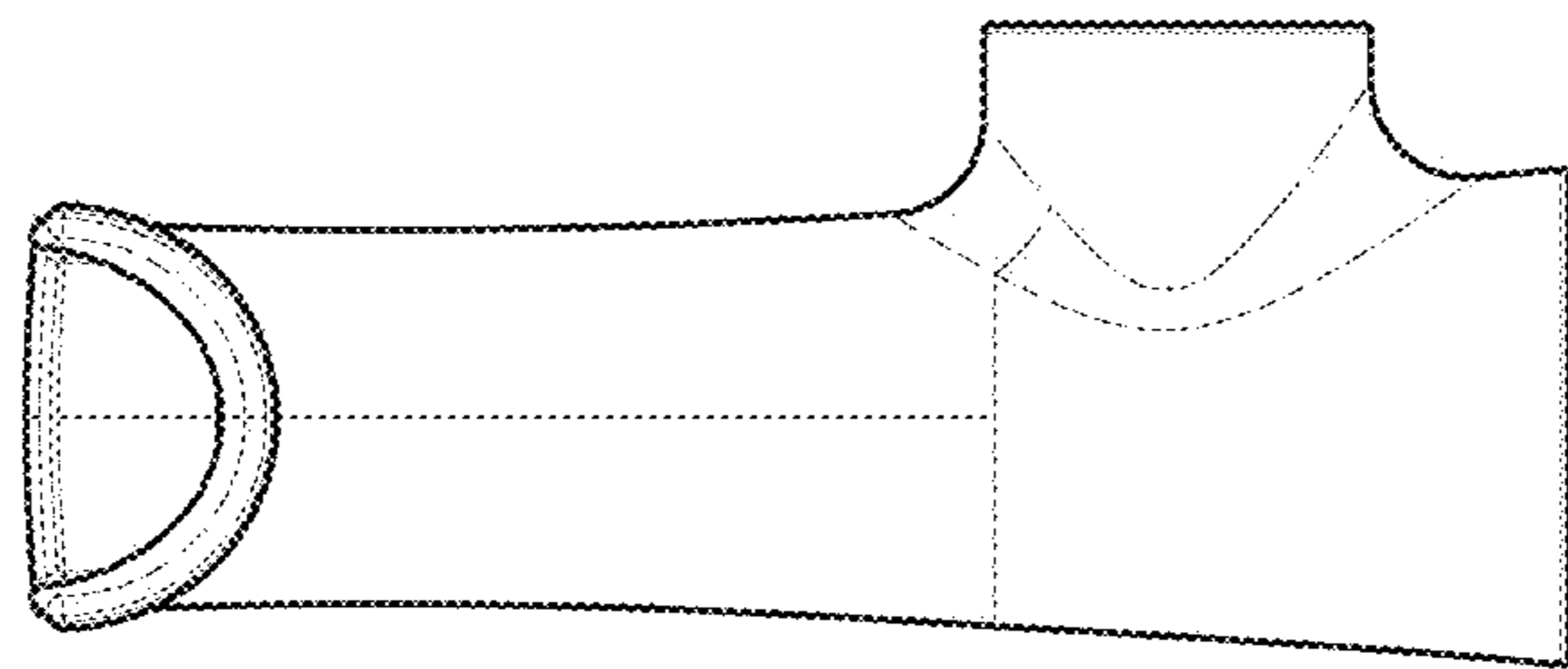


FIG. 3

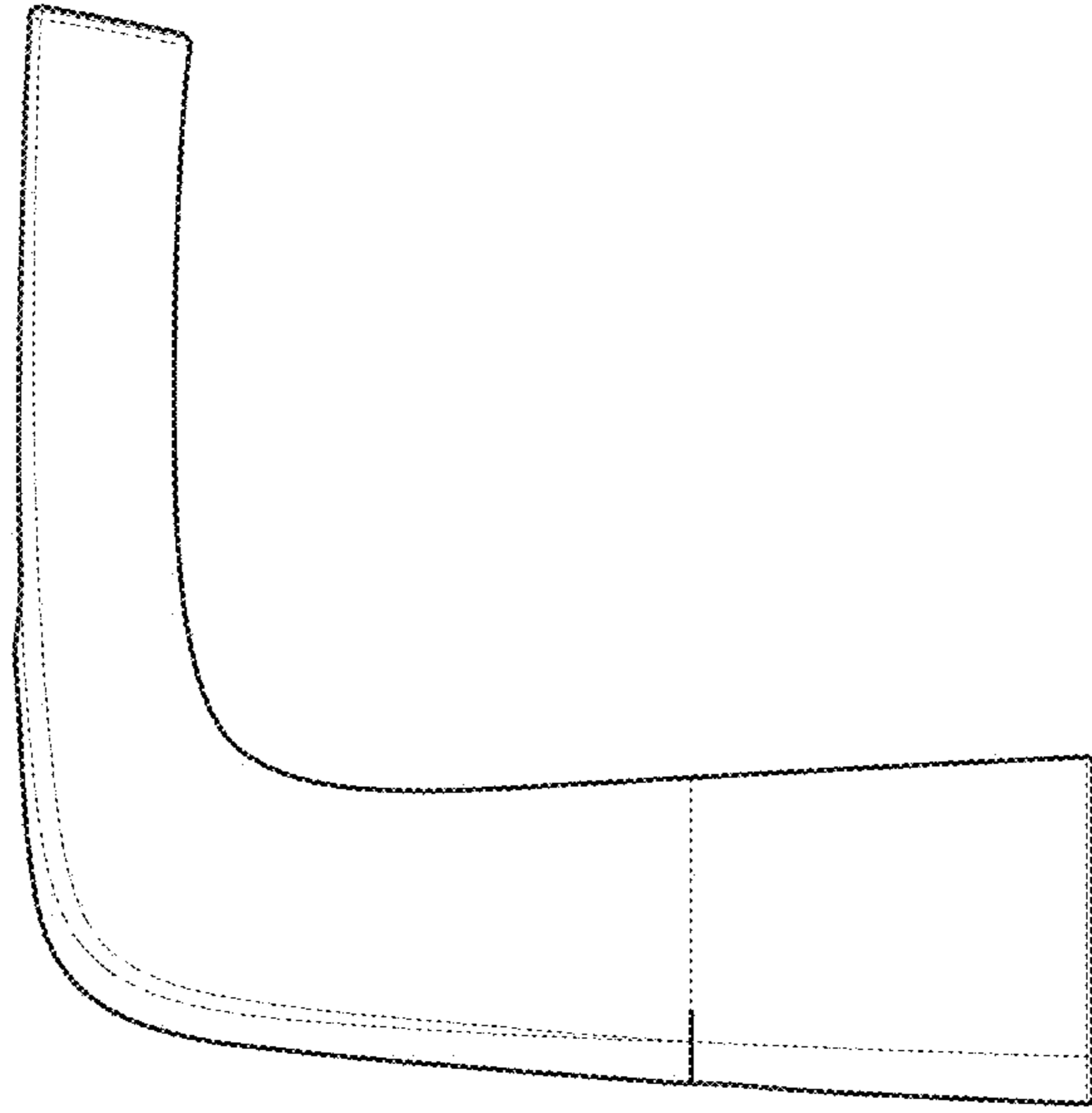


FIG. - 6

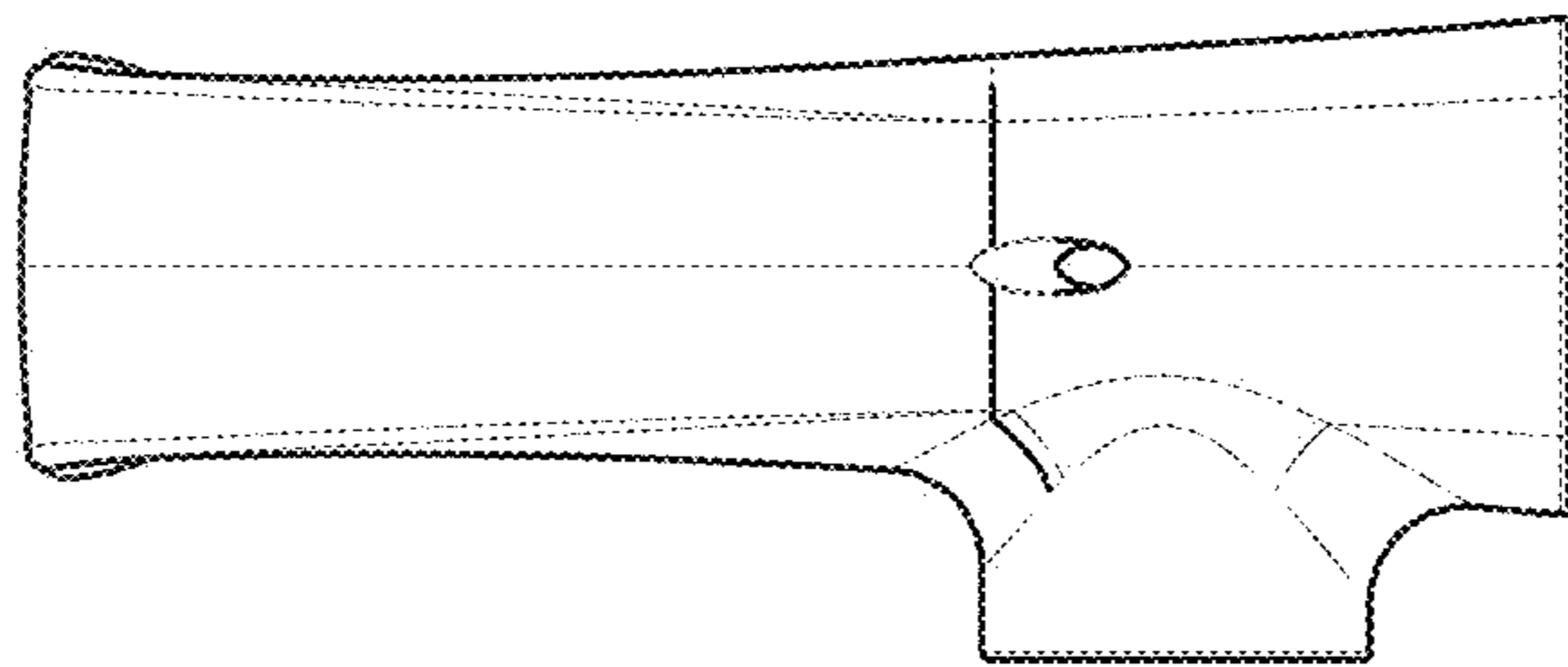


FIG. - 5

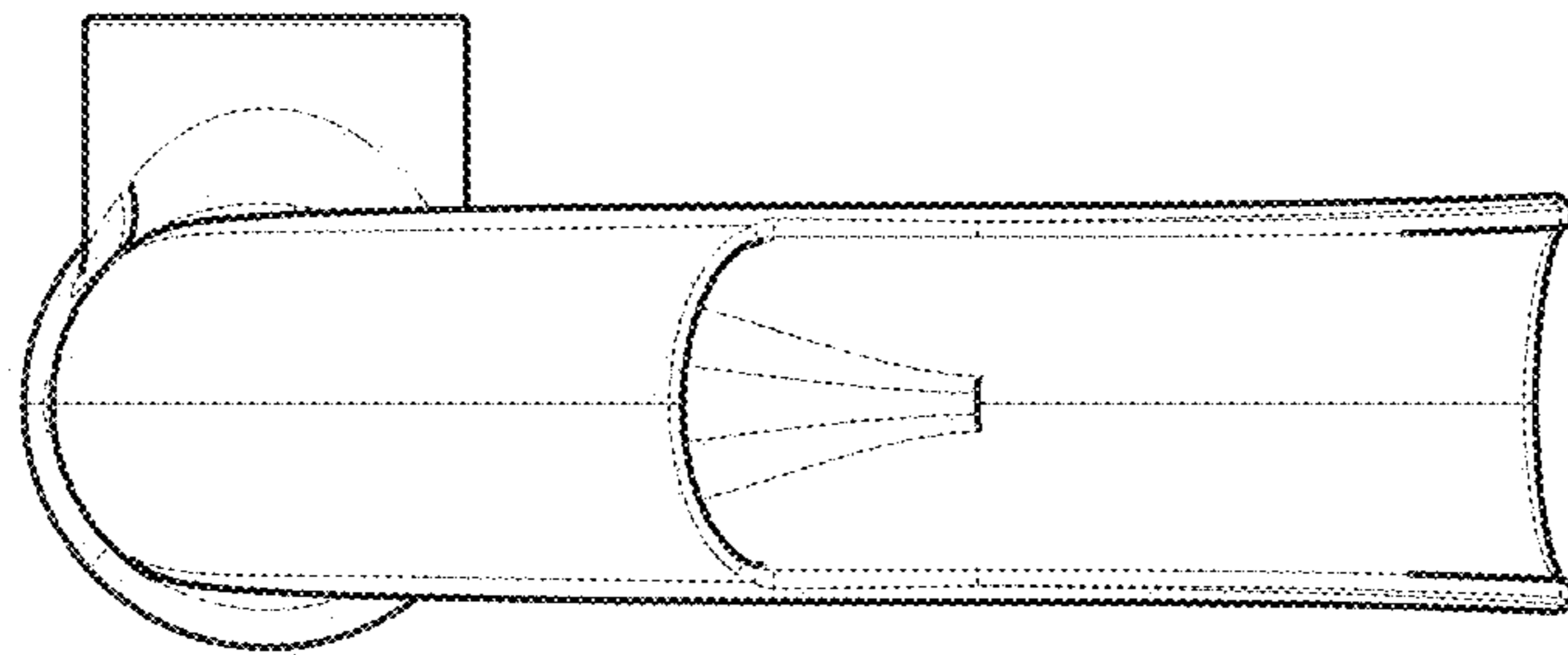


FIG - 7