



US00D954224S

(12) **United States Design Patent**
Hazelton

(10) **Patent No.:** **US D954,224 S**
(45) **Date of Patent:** **** Jun. 7, 2022**

(54) **BATHTUB SPOUT COVER**

(71) Applicant: **Lance E. Hazelton**, Maplewood, NJ
(US)

(72) Inventor: **Lance E. Hazelton**, Maplewood, NJ
(US)

(73) Assignee: **Helen of Troy Limited**, St. Michael
(BB)

(**) Term: **15 Years**

(21) Appl. No.: **29/710,860**

(22) Filed: **Oct. 27, 2019**

(51) **LOC (13) Cl.** **23-01**

(52) **U.S. Cl.**
USPC **D23/255**

(58) **Field of Classification Search**

USPC D23/238-243, 249, 309, 250, 252, 254,
D23/255, 256, 257, 245, 241; D8/300,
D8/307, 308; D6/536, 525
CPC Y10T 137/9464; Y10T 137/5339; Y10T
137/6014; Y10T 137/6021; Y10T
137/87579; E03C 1/00; E03C 1/02; E03C
1/04; E03C 1/0412; E03C 1/042; E03C
1/044; E03C 1/048; E03C 1/05; E03C
1/052; A47K 3/00; A47K 3/001; A47K
3/005

See application file for complete search history.

(56) **References Cited**

U.S. PATENT DOCUMENTS

3,199,121 A * 8/1965 Greto A47K 3/001
4/675
D354,550 S * 1/1995 Munoz D23/256
D378,232 S * 2/1997 Frankel D23/256
6,205,598 B1 * 3/2001 Black A47K 3/001
4/580
D612,455 S * 3/2010 Henderson D23/255
D680,197 S * 4/2013 Diamant D23/256

D782,844 S * 4/2017 Goodman D6/567
2007/0130688 A1 * 6/2007 Thorne G01K 1/143
4/675
2011/0023979 A1 * 2/2011 Henderson A47K 3/005
137/377

FOREIGN PATENT DOCUMENTS

GB 3015907 * 1/2004
KR 3020170059023 * 12/2017

OTHER PUBLICATIONS

Amazon, Puj Snug Tap Cover, posted Aug. 6, 2014, [online],
[visited Jul. 30, 2021]. Internet, <URL: <https://www.amazon.co.uk/Puj-Ultra-Cover-Mildew-Resistant/dp/B008TWGMDA/ref>> (Year:
2014).*

* cited by examiner

Primary Examiner — Samantha Wood

(74) *Attorney, Agent, or Firm* — Rankin, Hill & Clark
LLP

(57) **CLAIM**

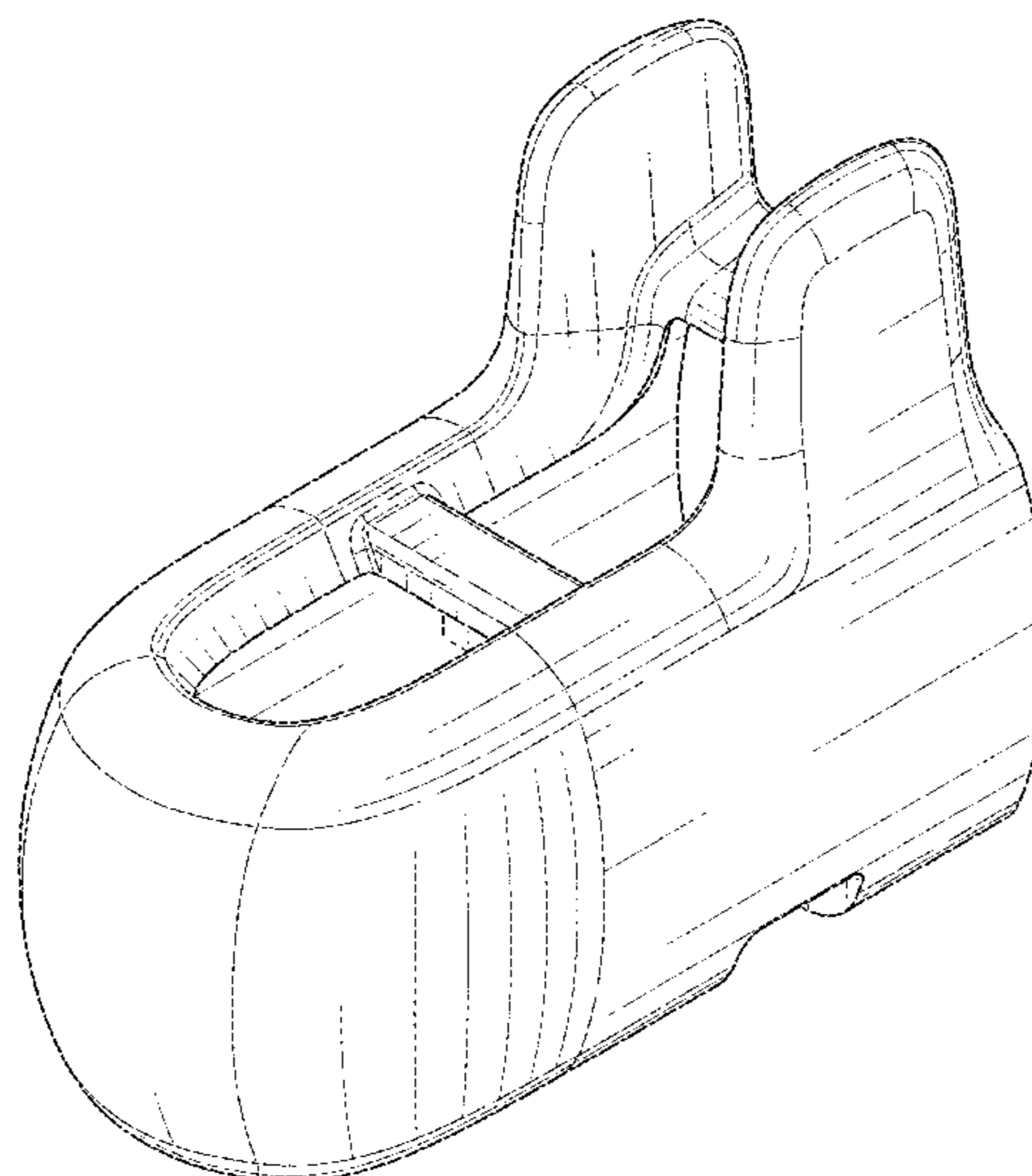
The ornamental design for a bathtub spout cover, as shown
and described.

DESCRIPTION

FIG. 1 is a perspective view of a bathtub spout cover;
FIG. 2 is a front elevation view thereof;
FIG. 3 is a rear elevation view thereof;
FIG. 4 is a left elevation view thereof;
FIG. 5 is a right elevation view thereof;
FIG. 6 is a top view thereof;
FIG. 7 is a bottom view thereof; and,
FIG. 8 is a perspective view of a bathtub spout cover in a use
environment.

The broken lines in the drawings depict portions of the
bathtub spout cover and environmental subject matter that
form no part of the claimed design.

1 Claim, 6 Drawing Sheets



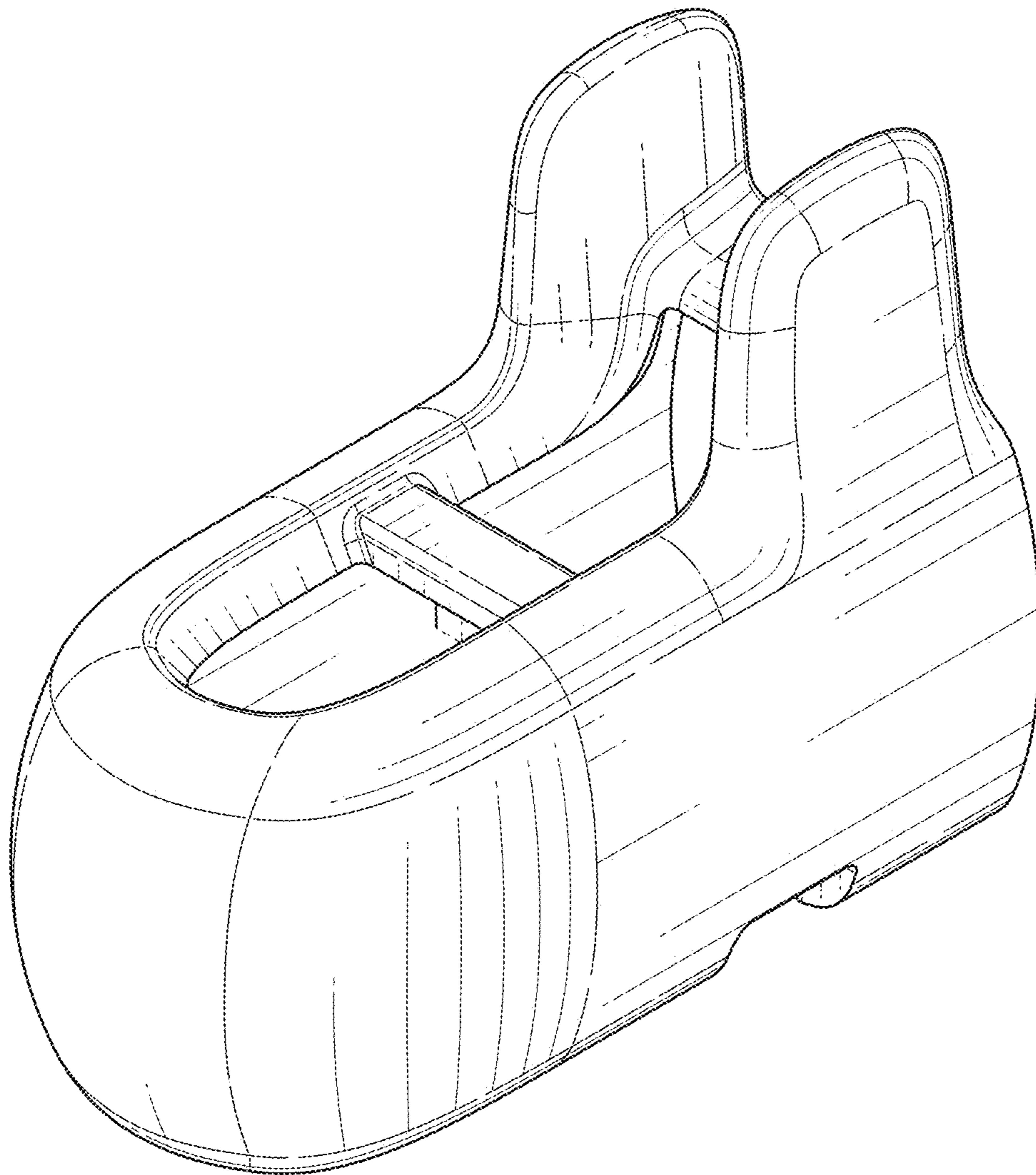


FIG. 1

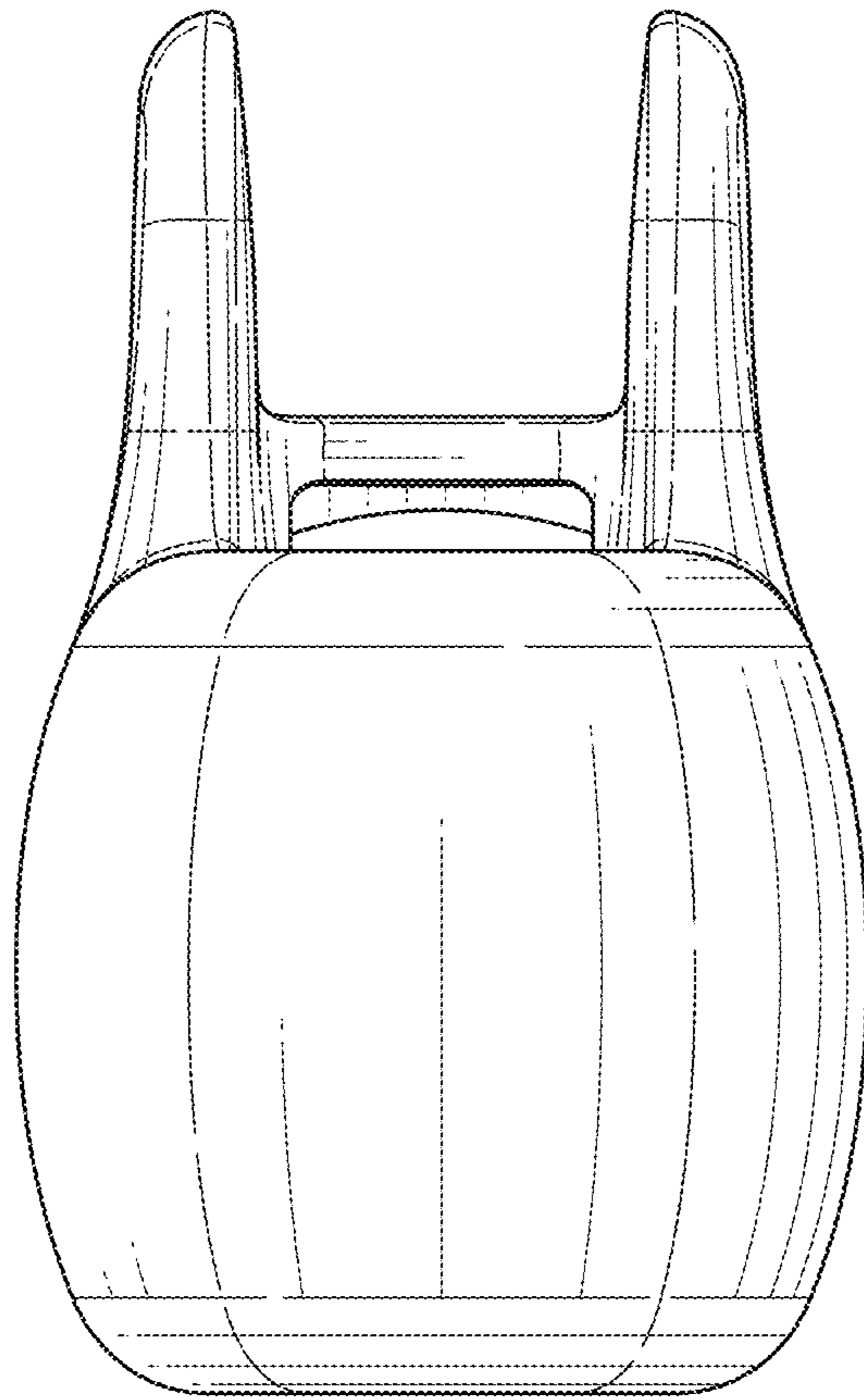


FIG. 2

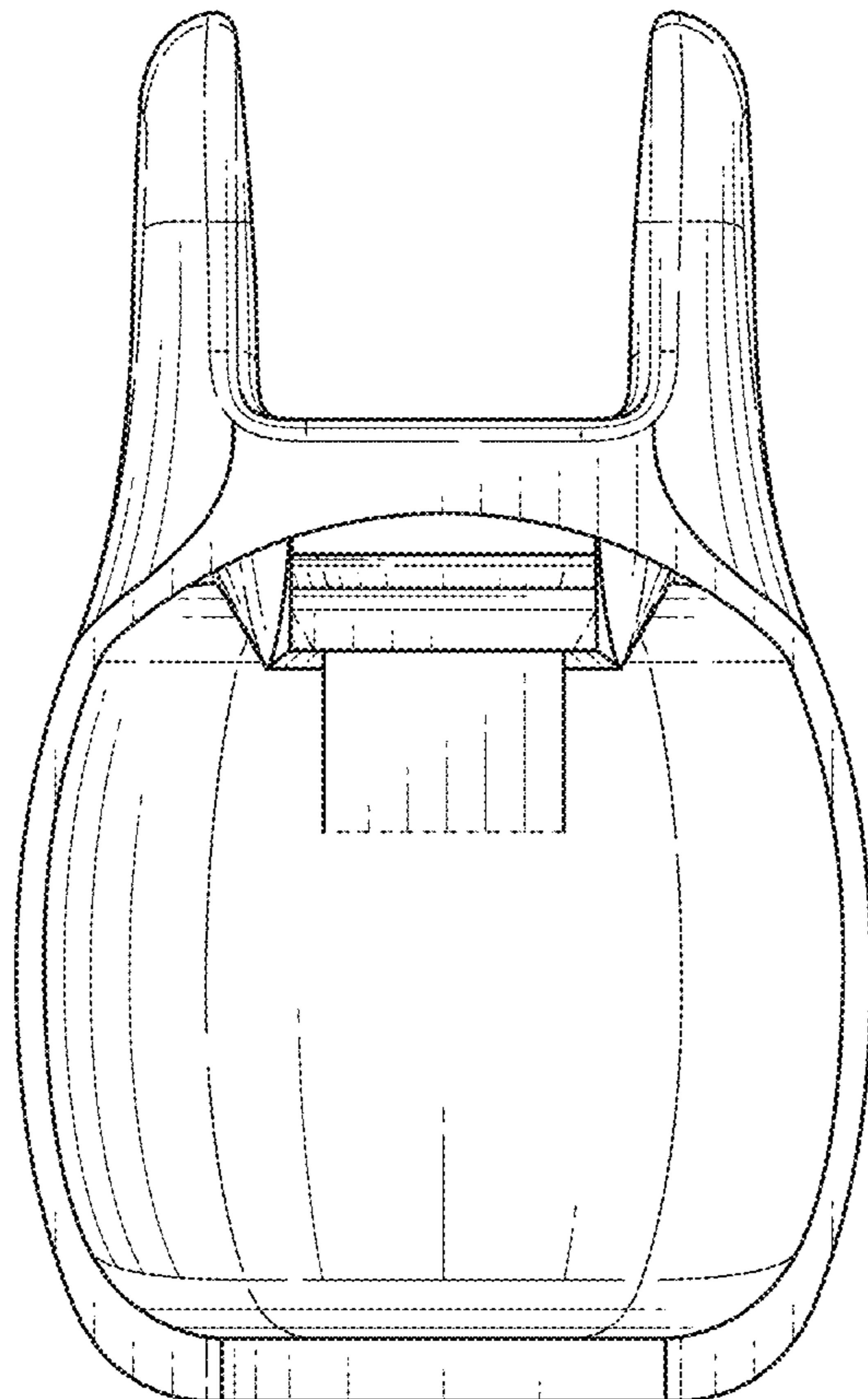


FIG. 3

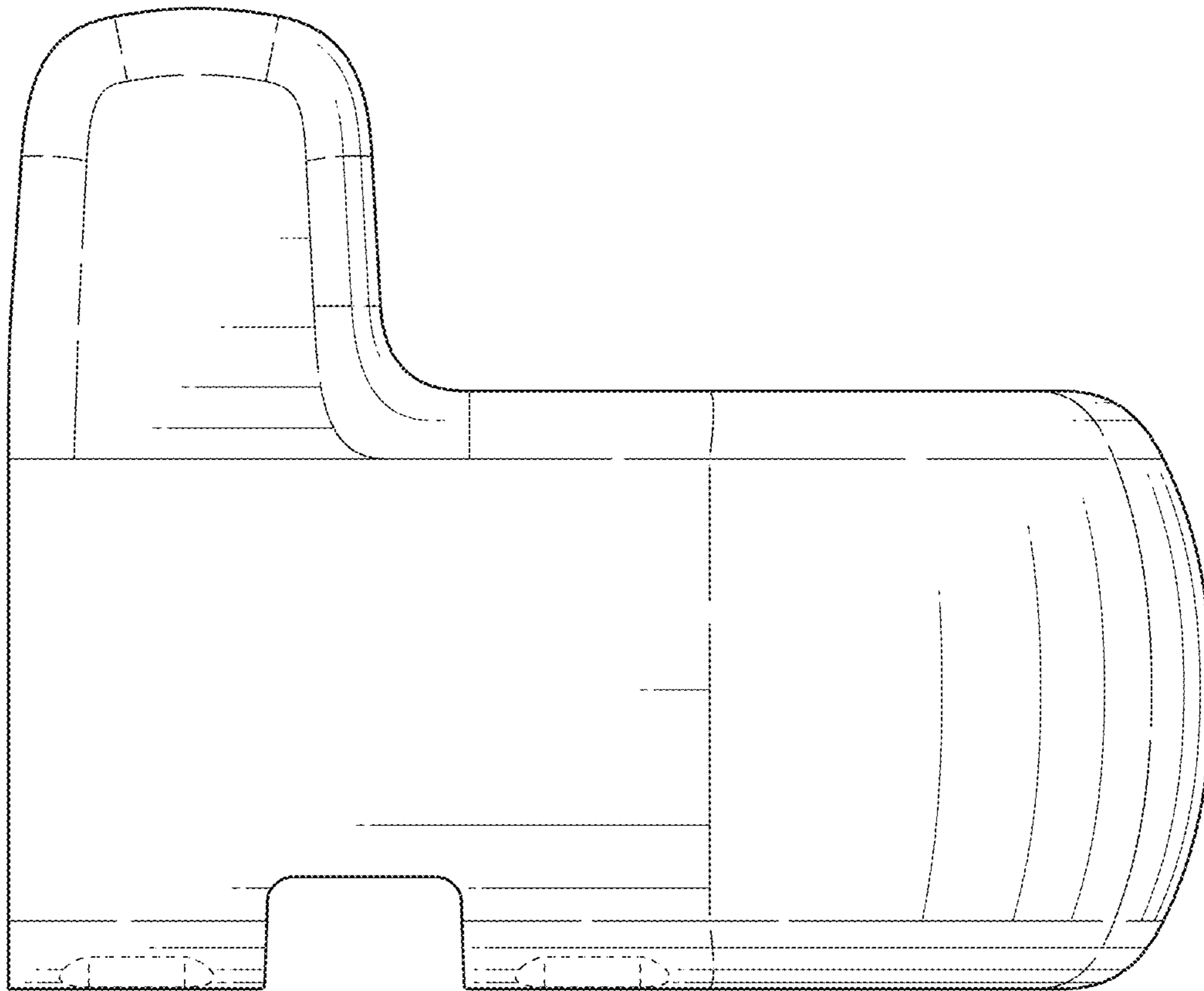


FIG. 4

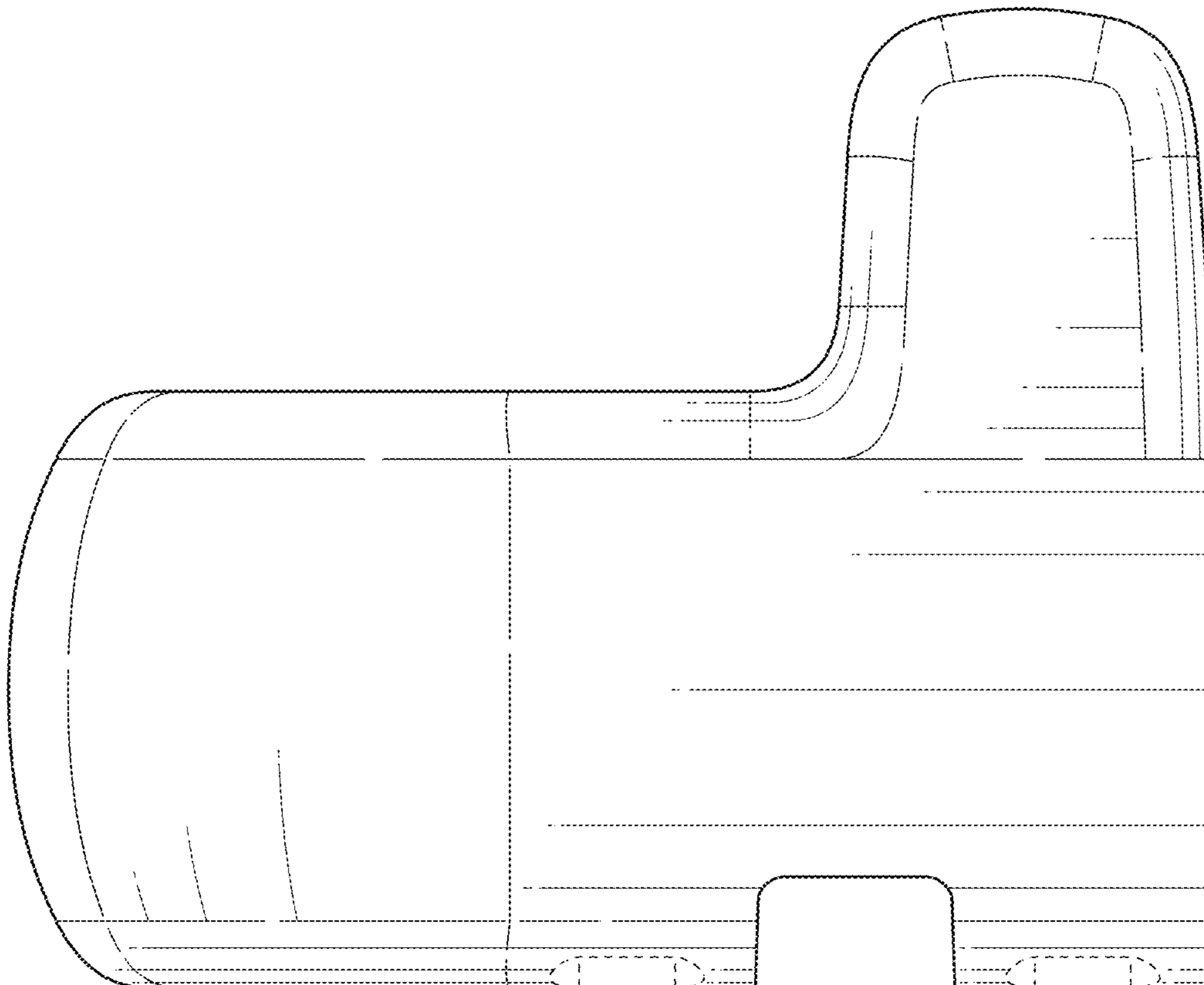


FIG. 5

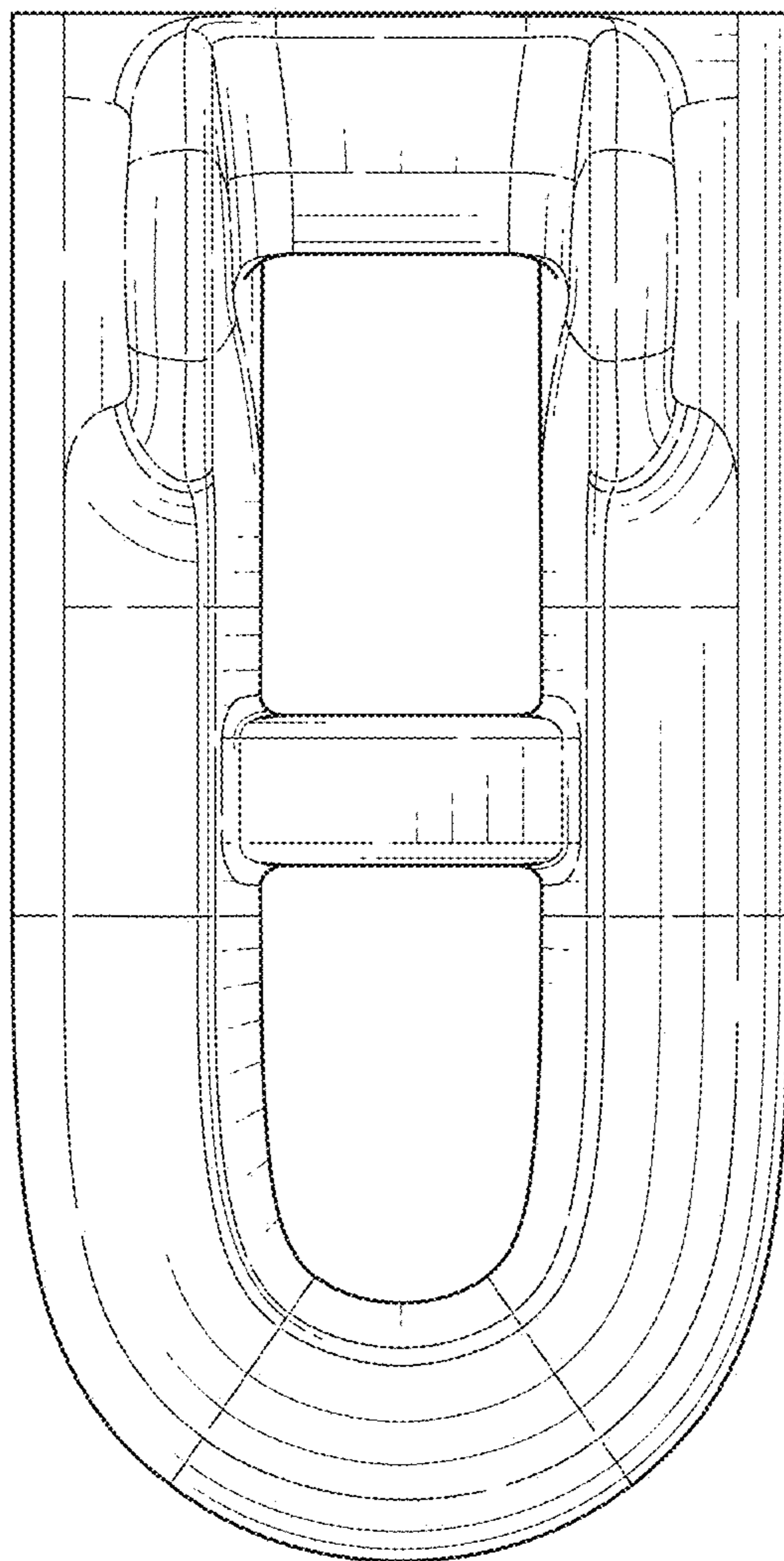


FIG. 6

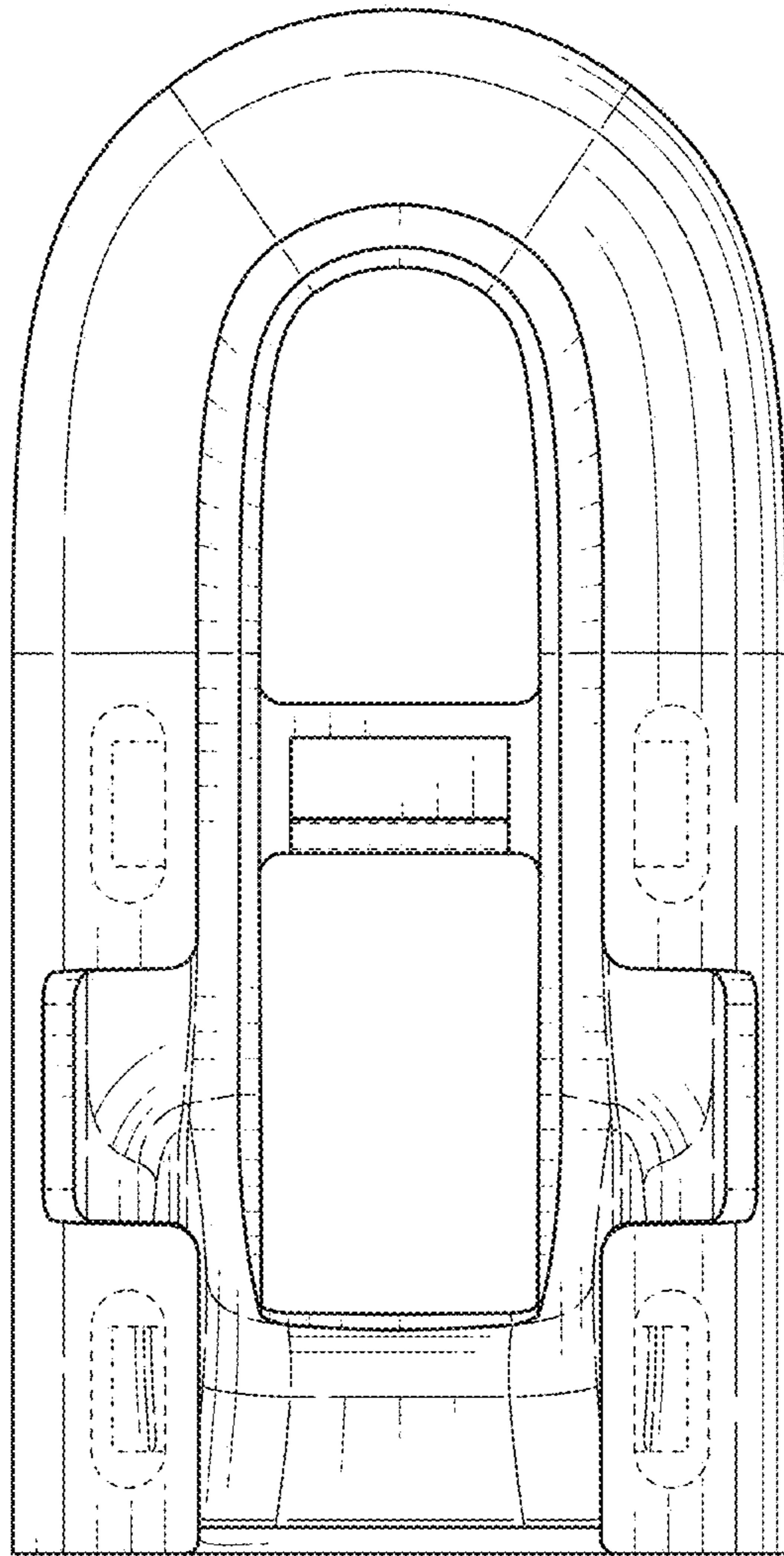


FIG. 7

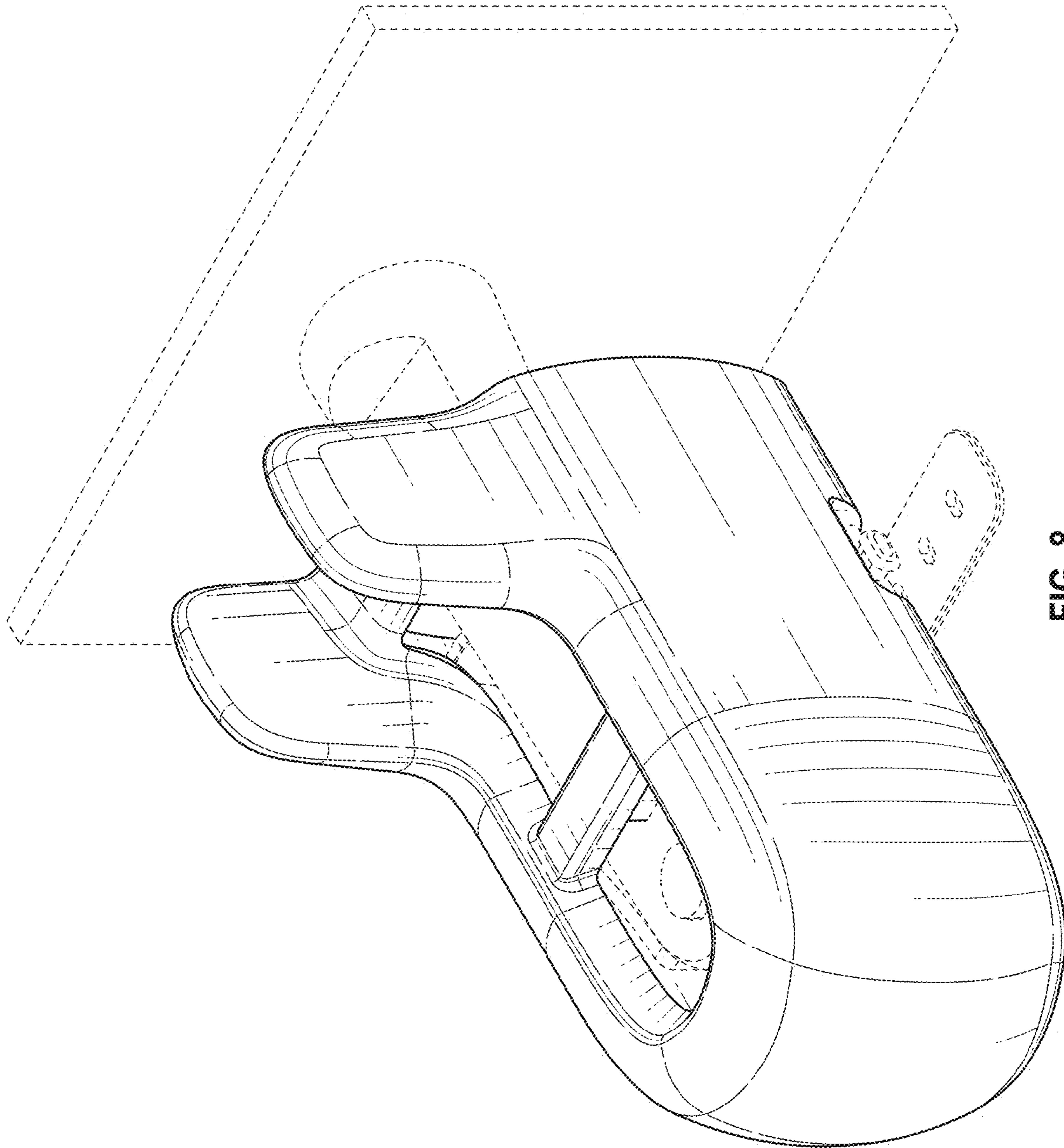


FIG. 8