

US00D954223S

(12) **United States Design Patent**  
**Elser**

(10) **Patent No.:** **US D954,223 S**  
(45) **Date of Patent:** **\*\* Jun. 7, 2022**

- (54) **FAUCET HANDLE**
- (71) Applicant: **DELTA FAUCET COMPANY**,  
Indianapolis, IN (US)
- (72) Inventor: **Simon Elser**, Indianapolis, IN (US)
- (73) Assignee: **DELTA FAUCET COMPANY**,  
Indianapolis, IN (US)
- (\*\*) Term: **15 Years**
- (21) Appl. No.: **29/735,019**
- (22) Filed: **May 18, 2020**
- (51) **LOC (13) Cl.** ..... **23-01**
- (52) **U.S. Cl.**  
USPC ..... **D23/252**
- (58) **Field of Classification Search**  
USPC ..... D23/238–243, 249, 250, 252, 254, 255,  
D23/257, 245, 309; D8/300, 307, 308;  
D7/394, 622, 395, 398  
CPC ..... Y10T 137/9464; E03C 1/00; E03C 1/02;  
E03C 1/04; E03C 1/0412; E03C 1/042;  
E03C 1/044; E03C 1/048; E03C 1/05  
See application file for complete search history.

|              |         |            |       |         |
|--------------|---------|------------|-------|---------|
| D583,034 S * | 12/2008 | Jones      | ..... | D23/252 |
| D596,712 S * | 7/2009  | Schoenherr | ..... | D23/252 |
| D674,882 S * | 1/2013  | Kwok       | ..... | D23/252 |
| D676,529 S * | 2/2013  | Lord       | ..... | D23/252 |
| D686,705 S * | 7/2013  | Fritz      | ..... | D23/252 |
| D761,389 S * | 7/2016  | Hanna      | ..... | D23/252 |
| D875,892 S * | 2/2020  | Tentler    | ..... | D23/252 |

**FOREIGN PATENT DOCUMENTS**

CN 201630511102 \* 10/2016

\* cited by examiner

*Primary Examiner* — Samantha Wood

(74) *Attorney, Agent, or Firm* — Nirav D. Parikh; Edgar A. Zarins

(57) **CLAIM**

The ornamental design for a faucet handle, as shown and described.

**DESCRIPTION**

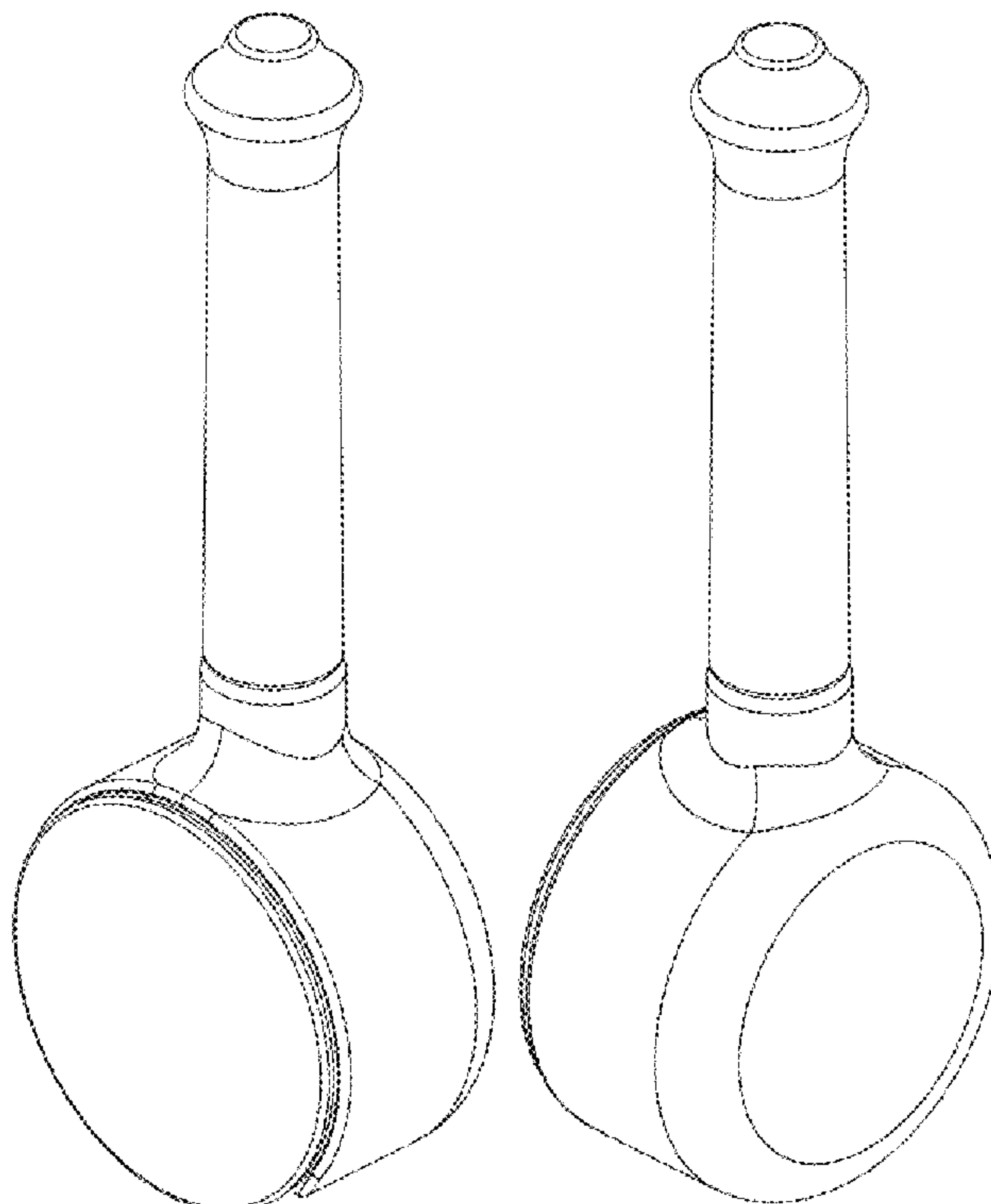
FIG. 1 is a front perspective view of a faucet handle showing my new design;  
 FIG. 2 is a rear perspective view thereof;  
 FIG. 3 is a front elevational view thereof;  
 FIG. 4 is a left side view thereof;  
 FIG. 5 is a rear view thereof;  
 FIG. 6 is a right side view thereof;  
 FIG. 7 is a top plan view thereof; and,  
 FIG. 8 is a bottom view thereof.

**1 Claim, 4 Drawing Sheets**

(56) **References Cited**

**U.S. PATENT DOCUMENTS**

|              |         |              |       |         |
|--------------|---------|--------------|-------|---------|
| D484,573 S * | 12/2003 | Haug         | ..... | D23/252 |
| D495,402 S * | 8/2004  | Spiegelberg  | ..... | D23/252 |
| D522,623 S * | 6/2006  | Koury        | ..... | D23/252 |
| D534,622 S * | 1/2007  | Chu          | ..... | D23/238 |
| D543,435 S * | 5/2007  | Roberts, III | ..... | D8/308  |



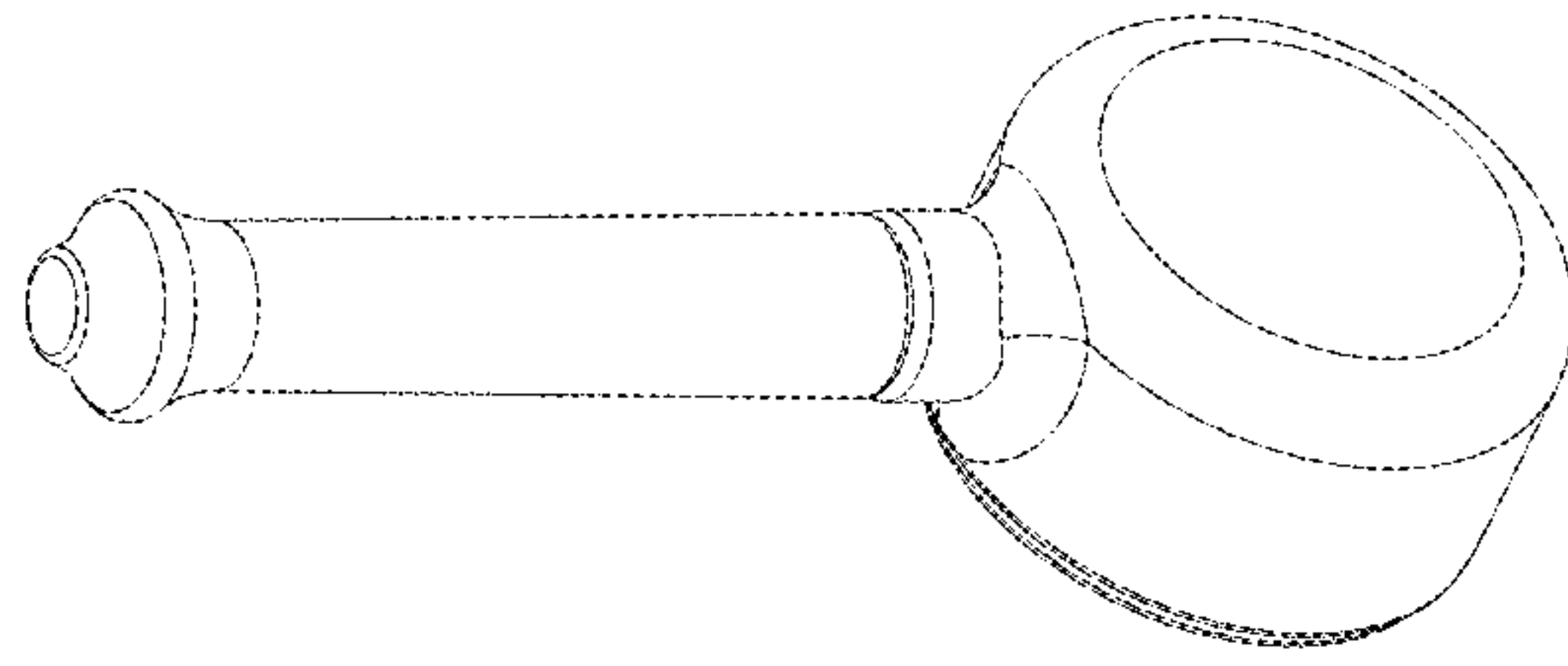


FIG - 2

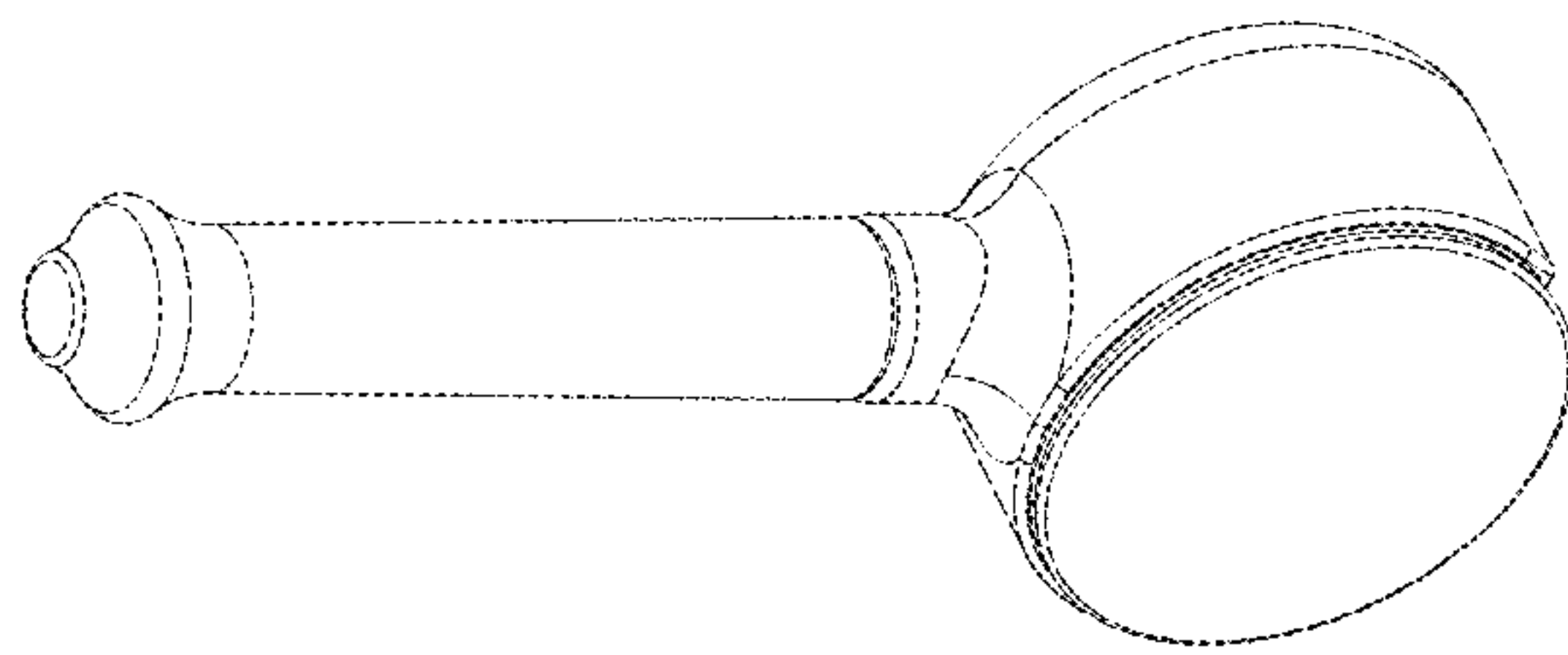


FIG - 1

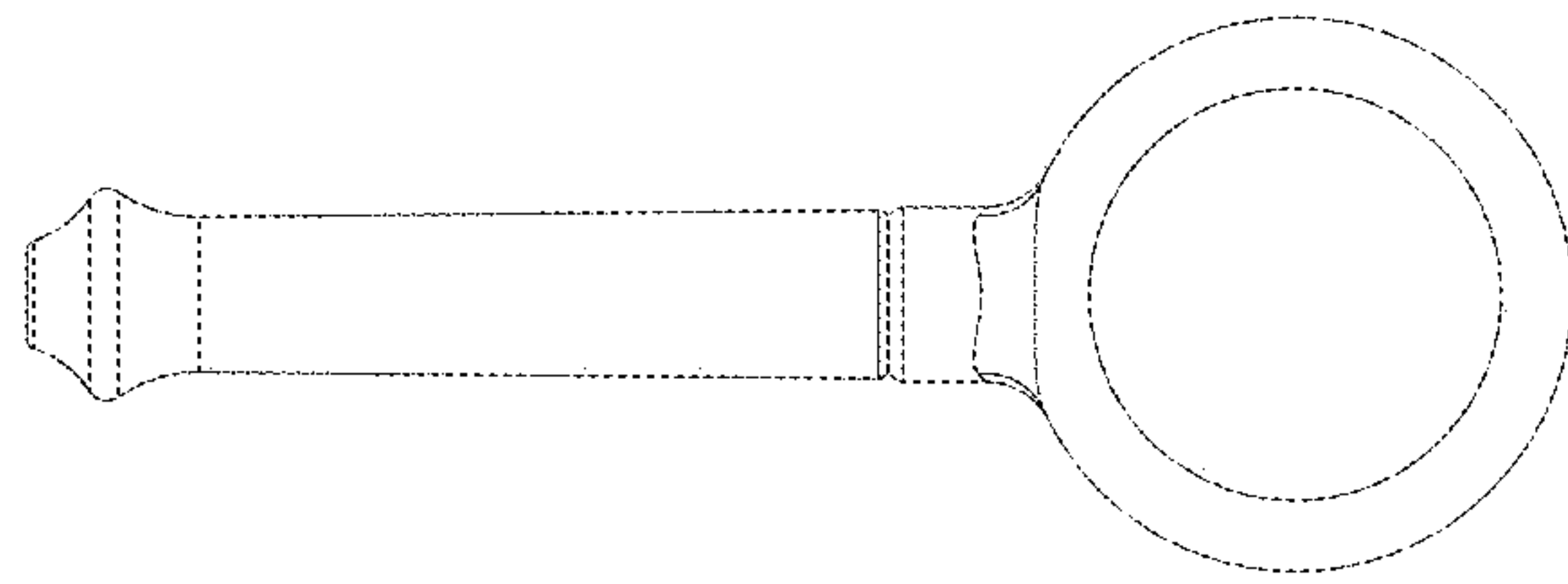


FIG - 4

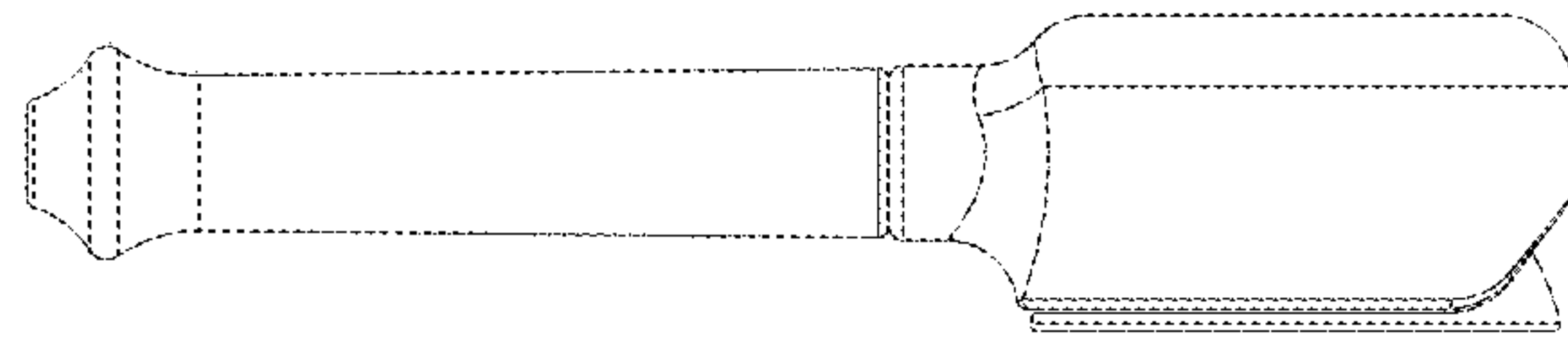


FIG - 3

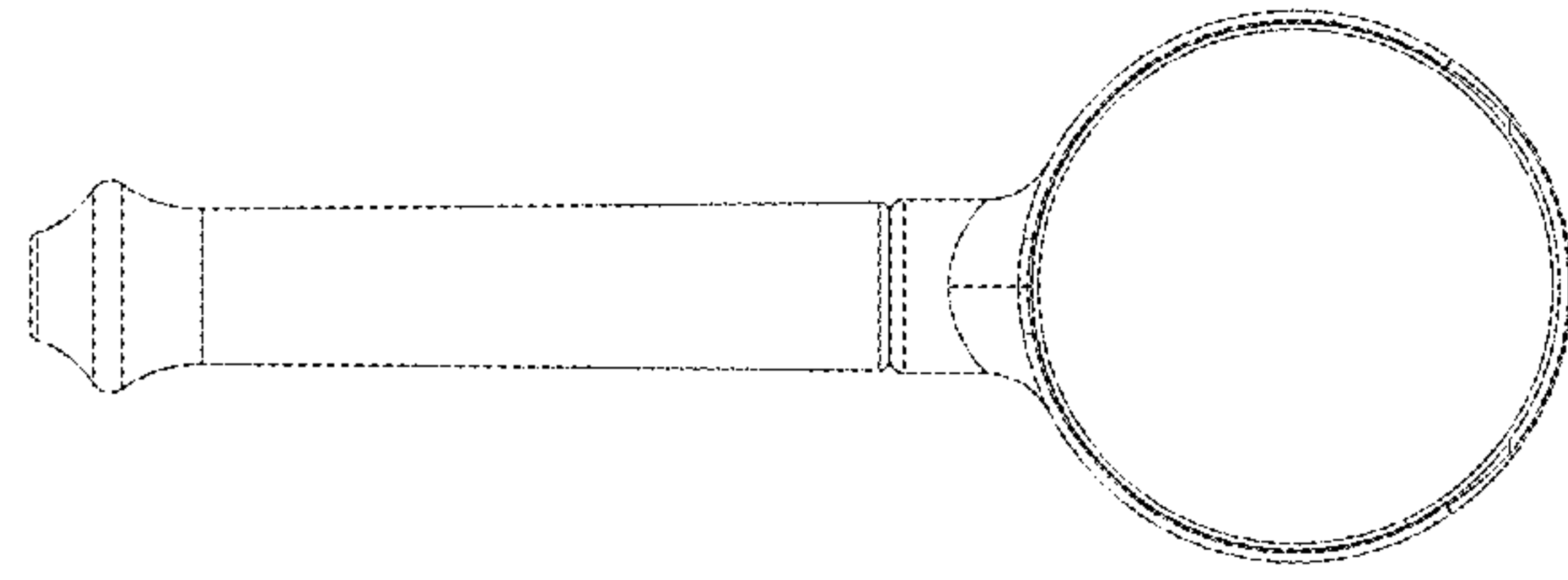


FIG - 6

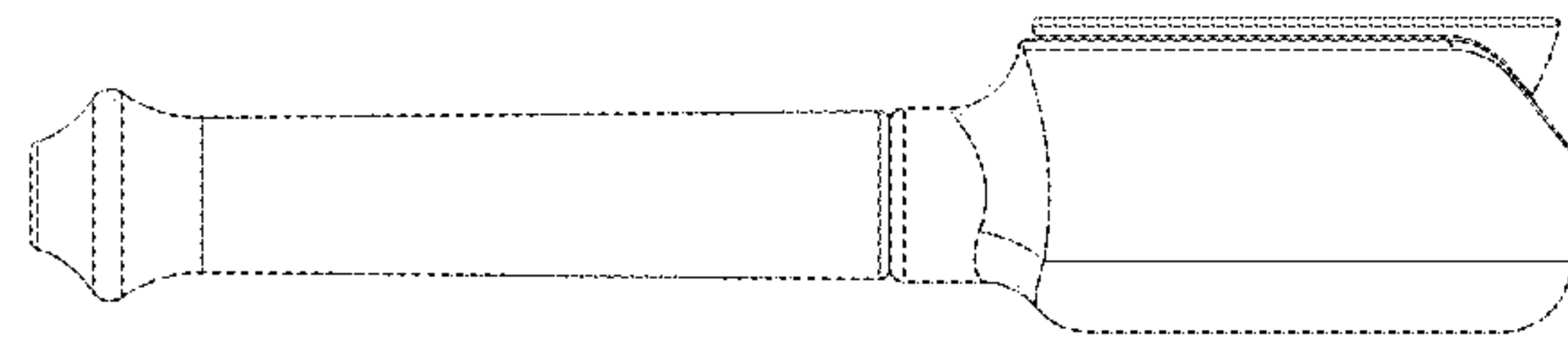


FIG - 5

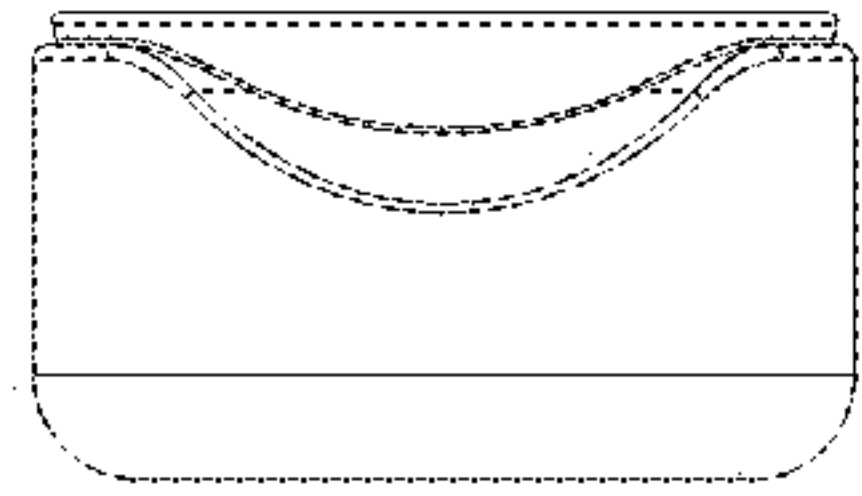


FIG - 8

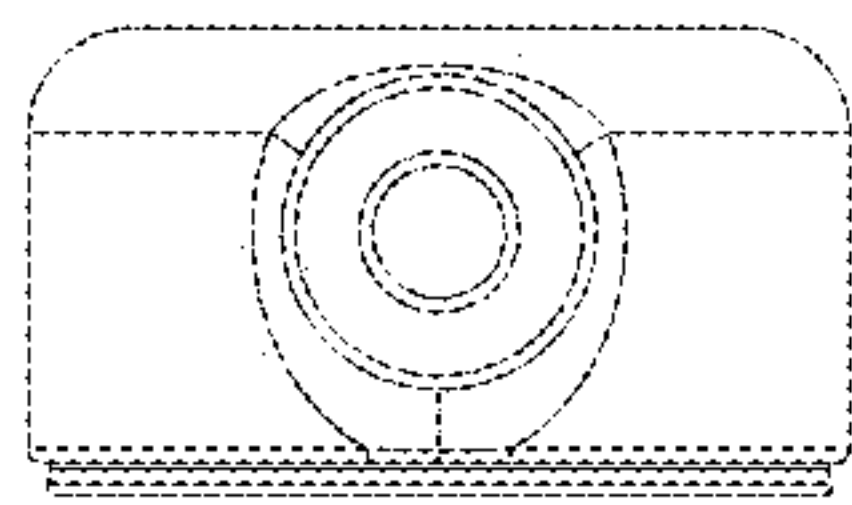


FIG - 7