



US00D954221S

(12) **United States Design Patent**  
**Fritz**

(10) **Patent No.:** **US D954,221 S**  
(45) **Date of Patent:** **\*\* Jun. 7, 2022**

(54) **FAUCET HANDLE**

(71) Applicant: **DELTA FAUCET COMPANY**,  
Indianapolis, IN (US)

(72) Inventor: **Seth Fritz**, Carmel, IN (US)

(73) Assignee: **DELTA FAUCET COMPANY**,  
Indianapolis, IN (US)

(\*\*) Term: **15 Years**

(21) Appl. No.: **29/734,411**

(22) Filed: **May 12, 2020**

(51) **LOC (13) Cl.** ..... **23-01**

(52) **U.S. Cl.**  
USPC ..... **D23/252**

(58) **Field of Classification Search**  
USPC ..... D23/238–243, 249, 250, 252, 254, 255,  
D23/257, 245, 309; D8/300, 307, 308;  
D7/394, 622, 395, 398  
CPC ..... Y10T 137/9464; E03C 1/00; E03C 1/02;  
E03C 1/04; E03C 1/0412; E03C 1/042;  
E03C 1/044; E03C 1/048; E03C 1/05  
See application file for complete search history.

D575,848 S \* 8/2008 Kirar ..... D23/238  
D579,306 S \* 10/2008 Singtoroj ..... D8/308  
D596,712 S \* 7/2009 Schoenherr ..... D23/252  
D674,881 S \* 1/2013 Kwok ..... D23/252  
D686,705 S \* 7/2013 Fritz ..... D23/252  
D738,468 S \* 9/2015 Bahler ..... D23/252  
D810,876 S \* 2/2018 Bahler ..... D23/238  
D865,131 S \* 10/2019 Eads ..... D23/252  
D871,554 S \* 12/2019 Garland ..... D23/252

**FOREIGN PATENT DOCUMENTS**

CN 201830187811 \* 4/2018  
CN 201930412566.9 \* 7/2019

\* cited by examiner

*Primary Examiner* — Samantha Wood

(74) *Attorney, Agent, or Firm* — Nirav D. Parikh; Edgar A. Zarins

(57) **CLAIM**

The ornamental design for a faucet handle, as shown and described.

**DESCRIPTION**

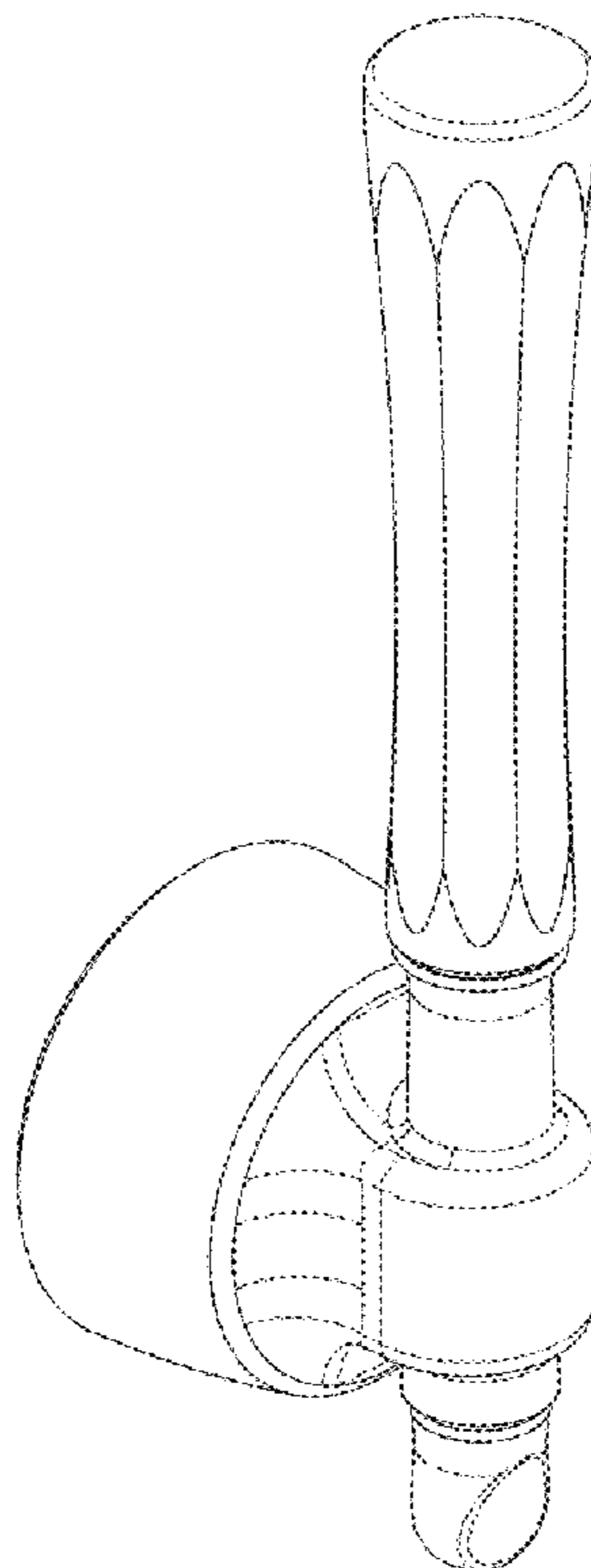
FIG. 1 is a front perspective view of a faucet handle showing my new design;  
FIG. 2 is a rear perspective view thereof;  
FIG. 3 is a front elevational view thereof;  
FIG. 4 is a left side view thereof;  
FIG. 5 is a rear view thereof;  
FIG. 6 is a right side view thereof;  
FIG. 7 is a top plan view thereof; and,  
FIG. 8 is a bottom view thereof.

**1 Claim, 4 Drawing Sheets**

(56) **References Cited**

U.S. PATENT DOCUMENTS

D290,577 S \* 6/1987 Belaiche ..... D8/305  
D296,815 S \* 7/1988 Jans ..... D23/252  
D428,118 S \* 7/2000 McKeone ..... D23/252  
D507,632 S \* 7/2005 Kennard ..... D23/252



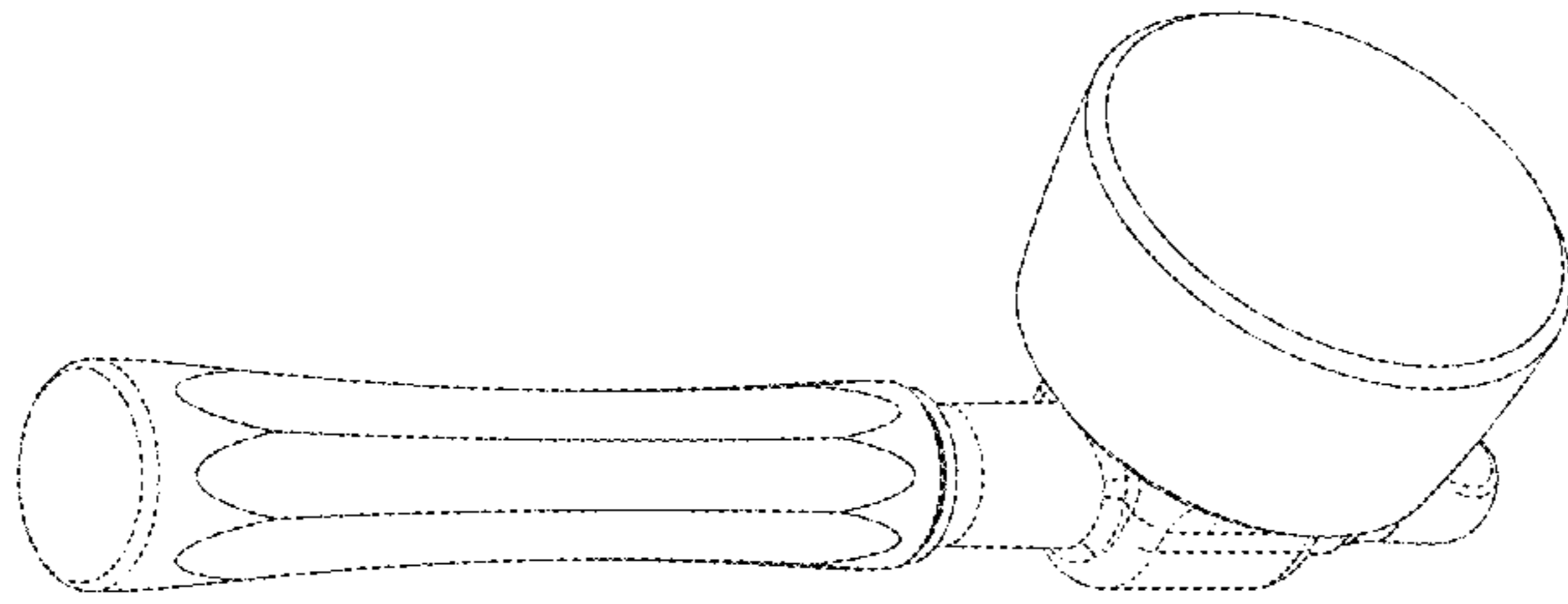


FIG - 2

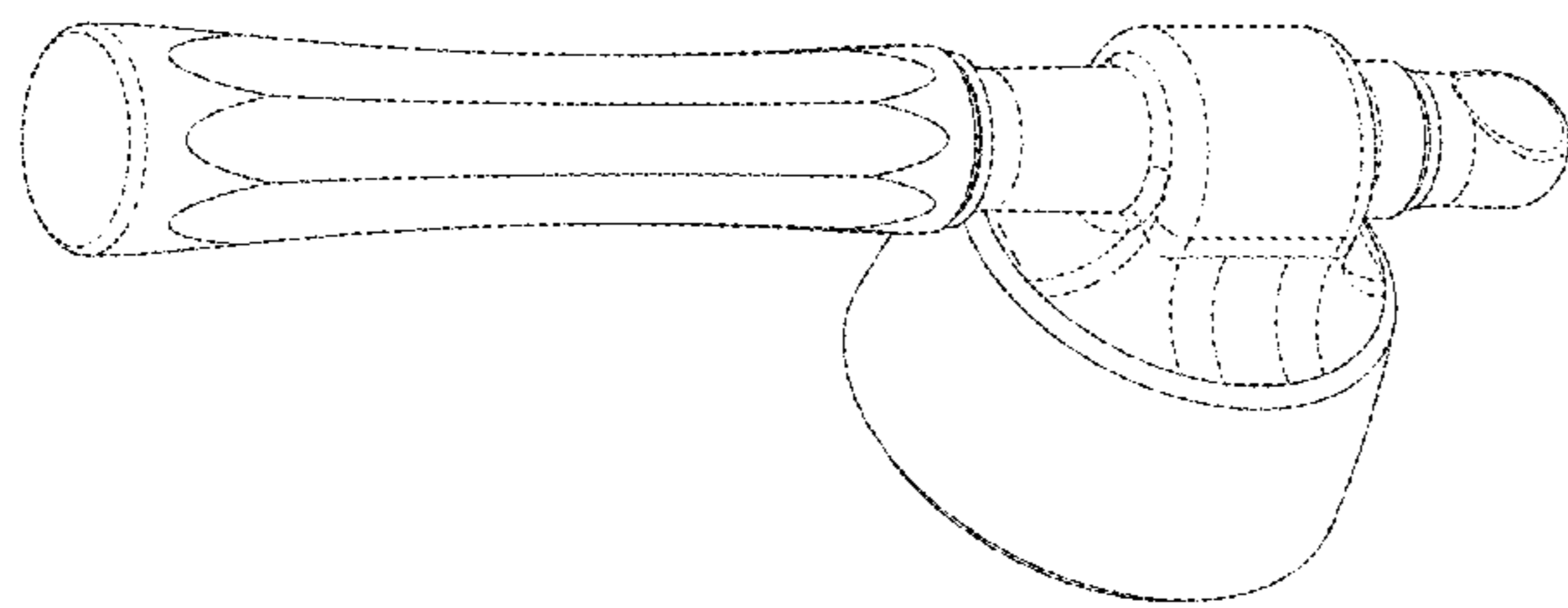


FIG - 1

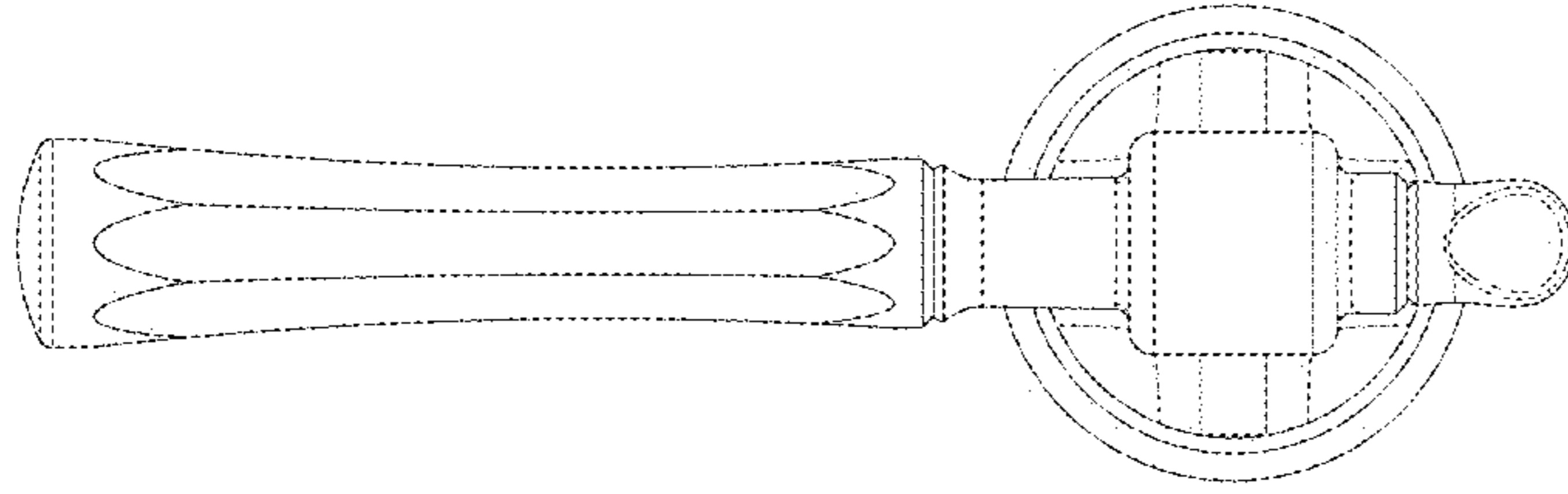


FIG - 4

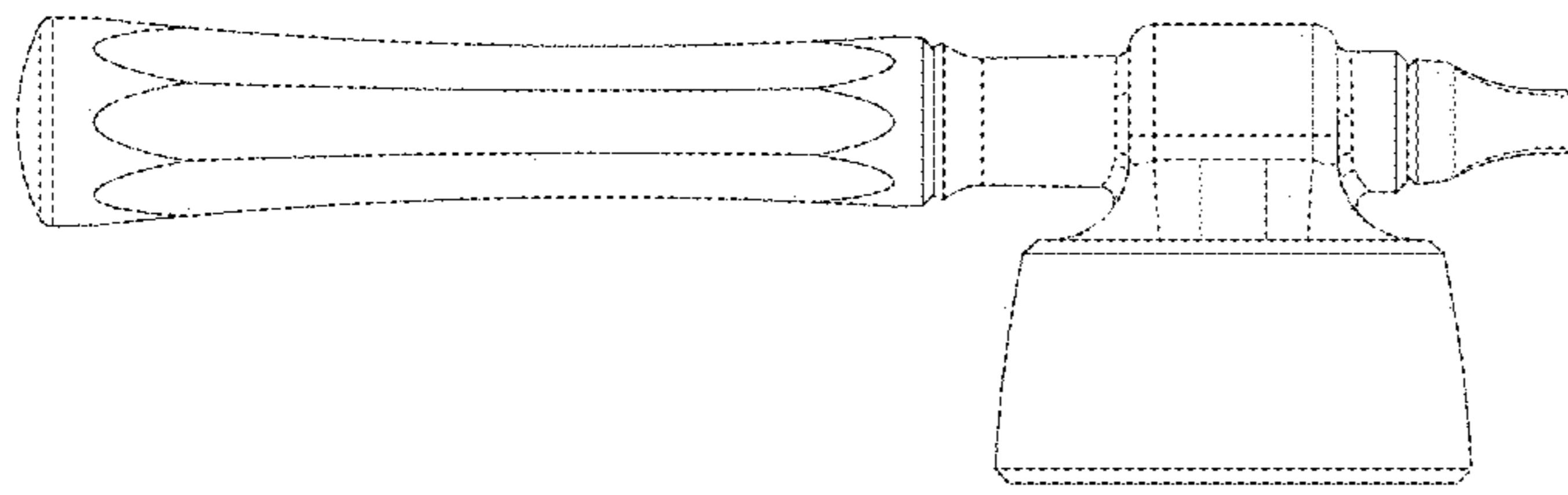


FIG - 3

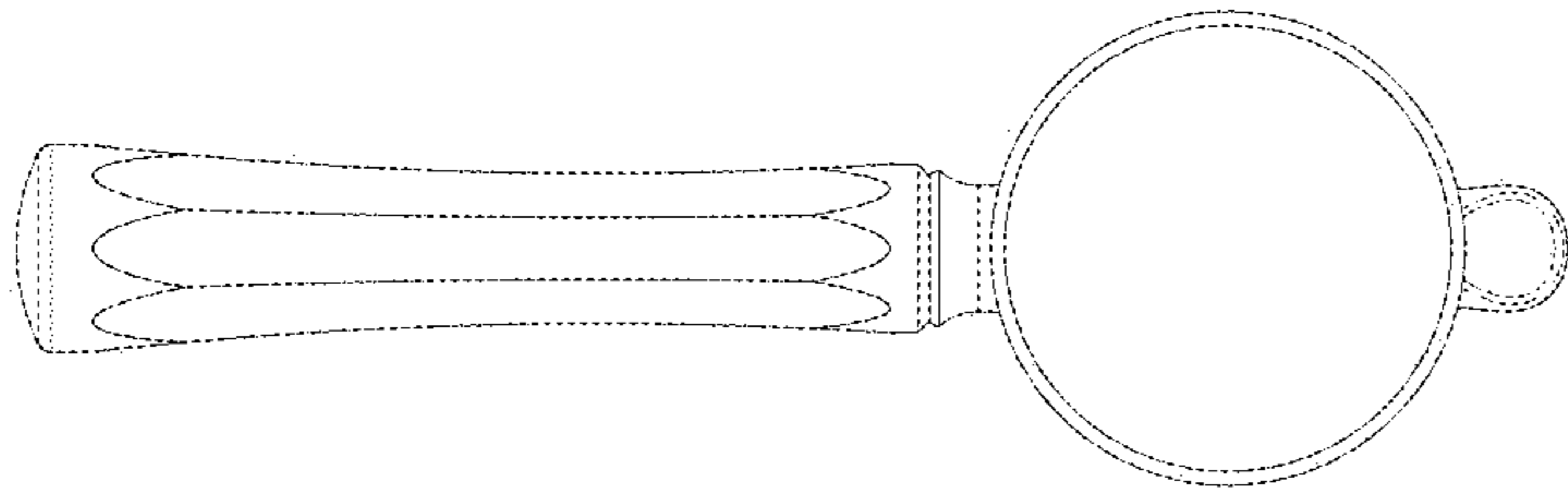


FIG - 6

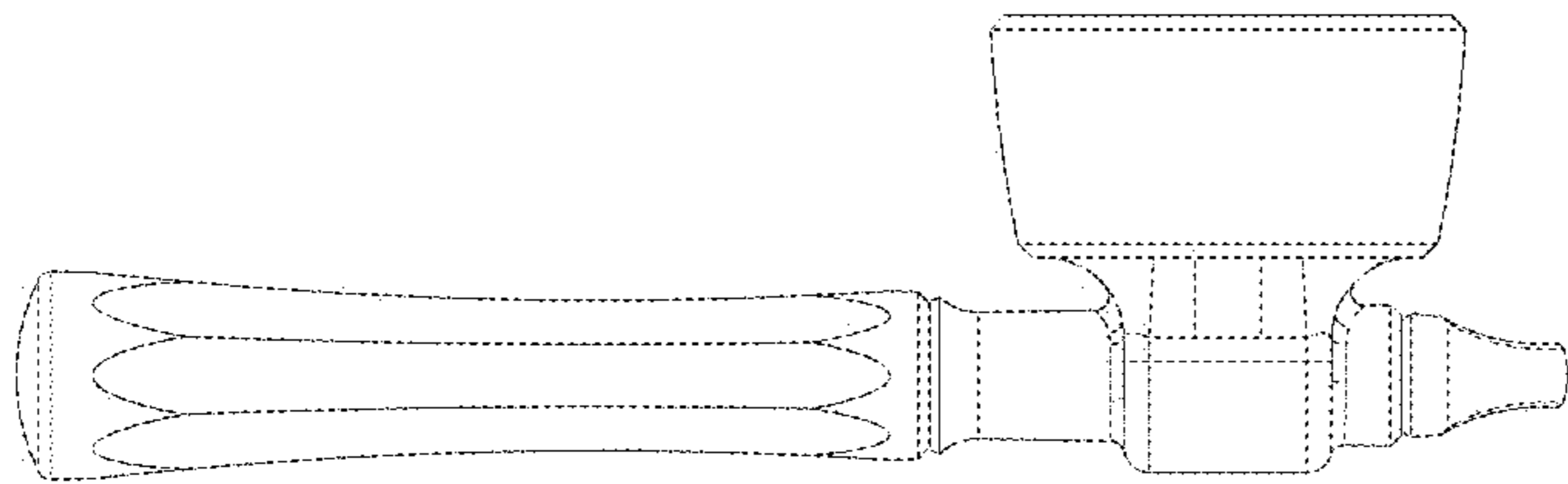


FIG - 5

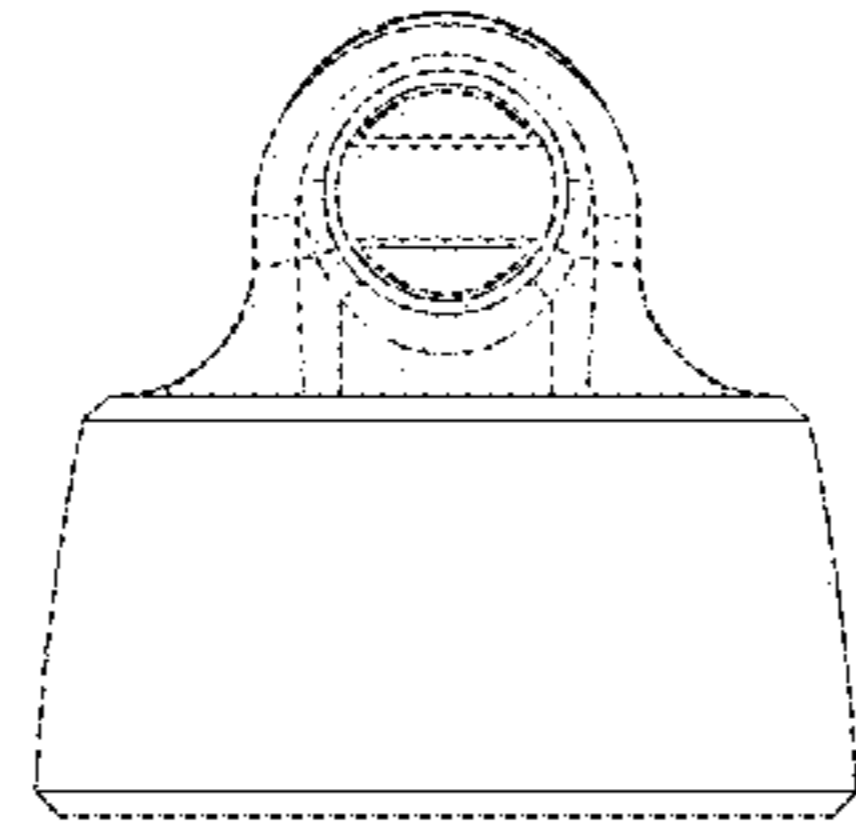


FIG - 8

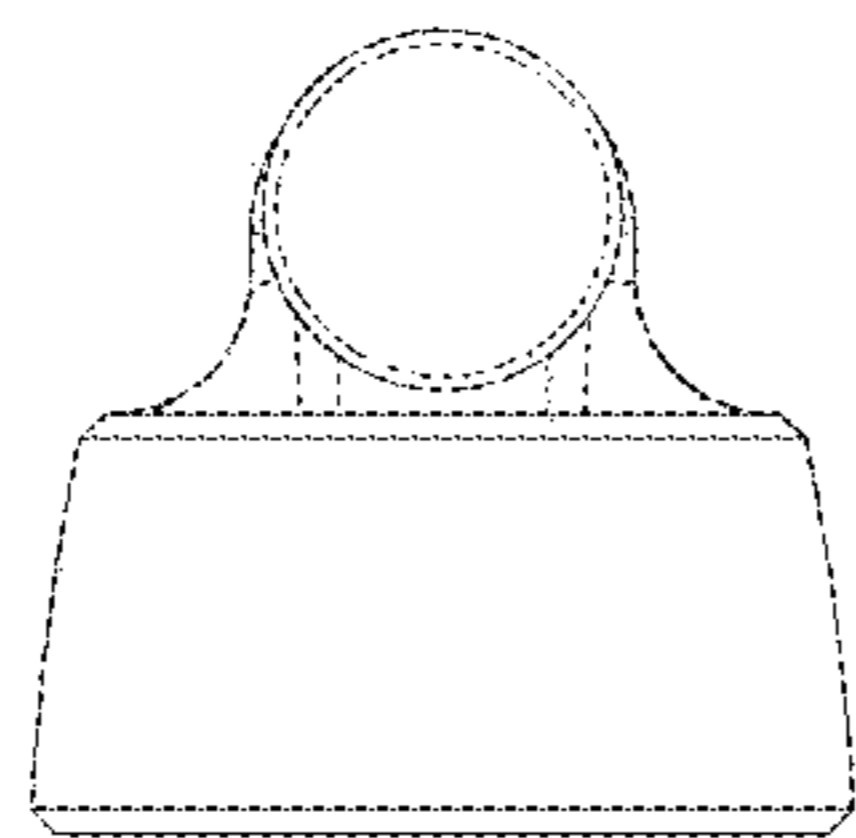


FIG - 7