



US00D954220S

(12) **United States Design Patent**
Para

(10) **Patent No.:** **US D954,220 S**

(45) **Date of Patent:** **** Jun. 7, 2022**

(54) **FAUCET HANDLE**

(71) Applicant: **DELTA FAUCET COMPANY,**
Indianapolis, IN (US)

(72) Inventor: **Lauren Para,** Lisle, IL (US)

(73) Assignee: **DELTA FAUCET COMPANY,**
Indianapolis, IN (US)

(**) Term: **15 Years**

(21) Appl. No.: **29/733,867**

(22) Filed: **May 7, 2020**

(51) **LOC (13) Cl.** **23-01**

(52) **U.S. Cl.**
USPC **D23/252**

(58) **Field of Classification Search**
USPC D23/238-243, 249, 250, 252, 254, 255,
D23/257, 245, 309; D8/300, 307, 308;
D7/394, 622, 395, 398
CPC Y10T 137/9464; E03C 1/00; E03C 1/02;
E03C 1/04; E03C 1/0412; E03C 1/042;
E03C 1/044; E03C 1/048; E03C 1/05
See application file for complete search history.

(56) **References Cited**

U.S. PATENT DOCUMENTS

D284,786 S * 7/1986 Doman D23/250
D347,268 S * 5/1994 Paul D23/252
D461,530 S * 8/2002 Moll D23/238

D531,483 S * 11/2006 Kosasih D8/308
D579,305 S * 10/2008 Schneider D8/308
D644,303 S * 8/2011 Slothower D23/252
D648,829 S * 11/2011 Gao D23/252
D685,882 S * 7/2013 Garland D23/252
D810,876 S * 2/2018 Bahler D23/238
D811,545 S * 2/2018 Garland D23/252

FOREIGN PATENT DOCUMENTS

CN 200530080924.9 * 3/2005
CN 201730499499 * 10/2017

* cited by examiner

Primary Examiner — Samantha Wood

(74) *Attorney, Agent, or Firm* — Nirav D. Parikh; Edgar
A. Zarins

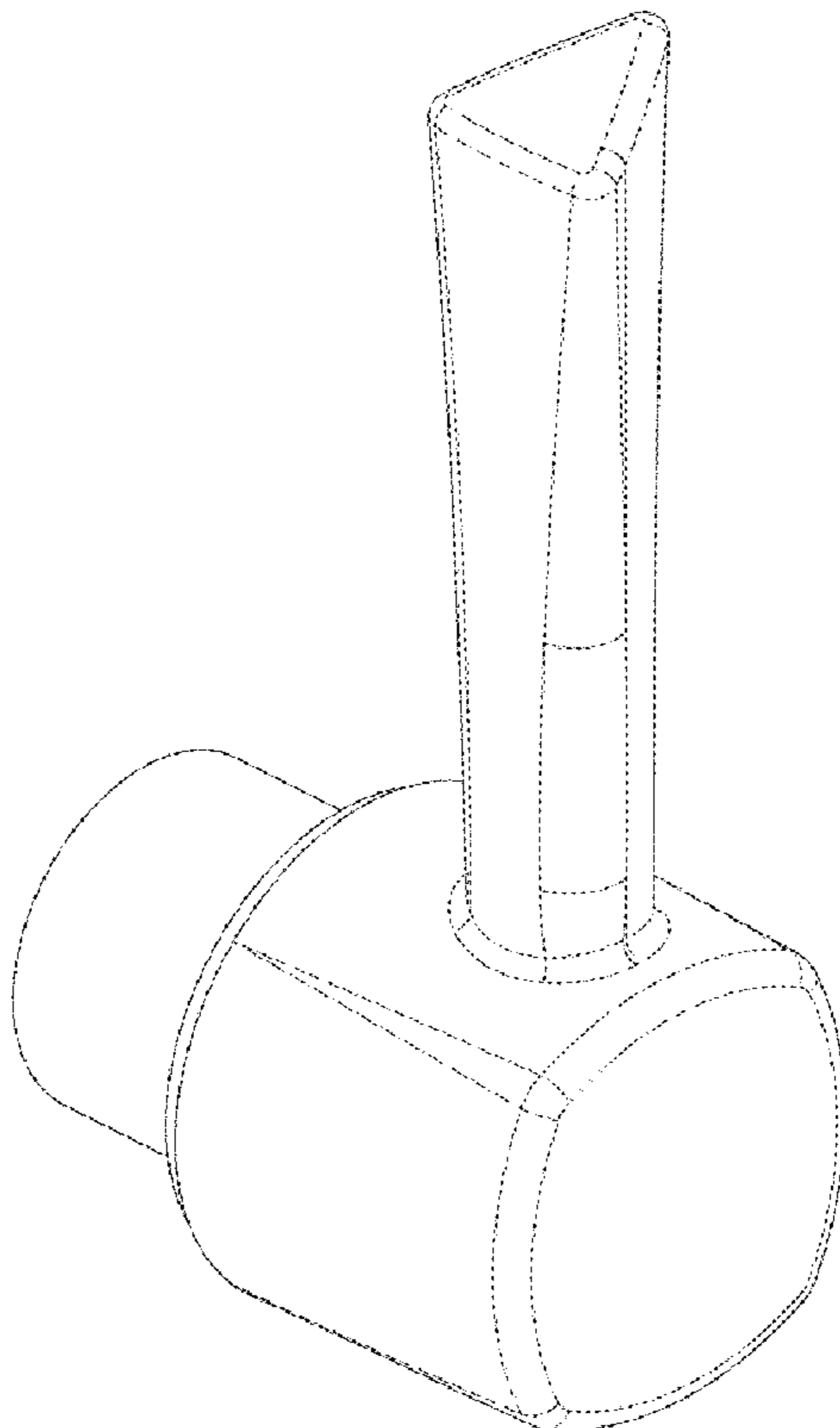
(57) **CLAIM**

The ornamental design for a faucet handle, as shown and
described.

DESCRIPTION

FIG. 1 is a front perspective view of a faucet handle showing
my new design;
FIG. 2 is a rear perspective view thereof;
FIG. 3 is a front elevational view thereof;
FIG. 4 is a left side view thereof;
FIG. 5 is a rear view thereof;
FIG. 6 is a right side view thereof;
FIG. 7 is a top plan view thereof; and,
FIG. 8 is a bottom view thereof.

1 Claim, 4 Drawing Sheets



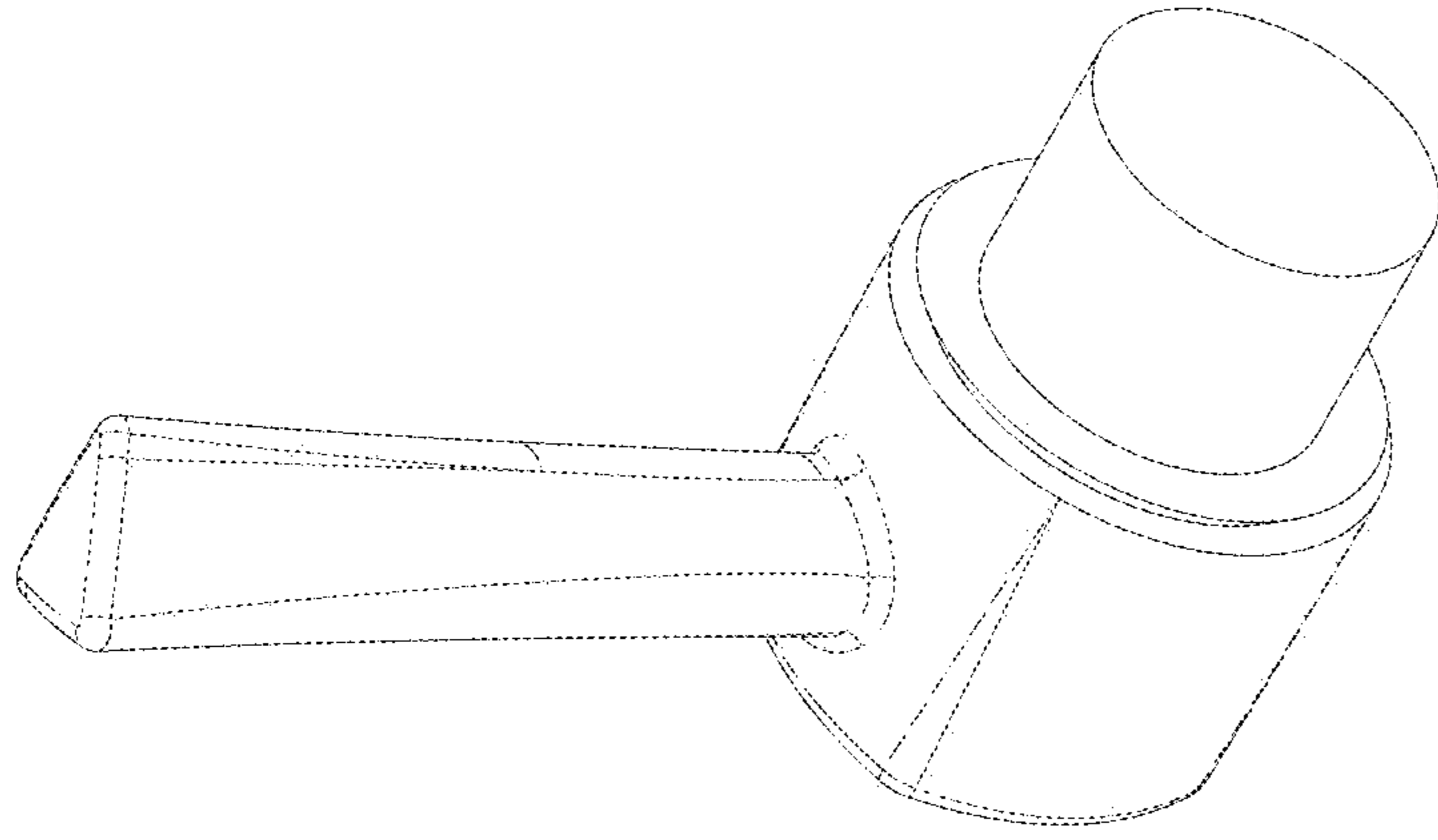


FIG - 2

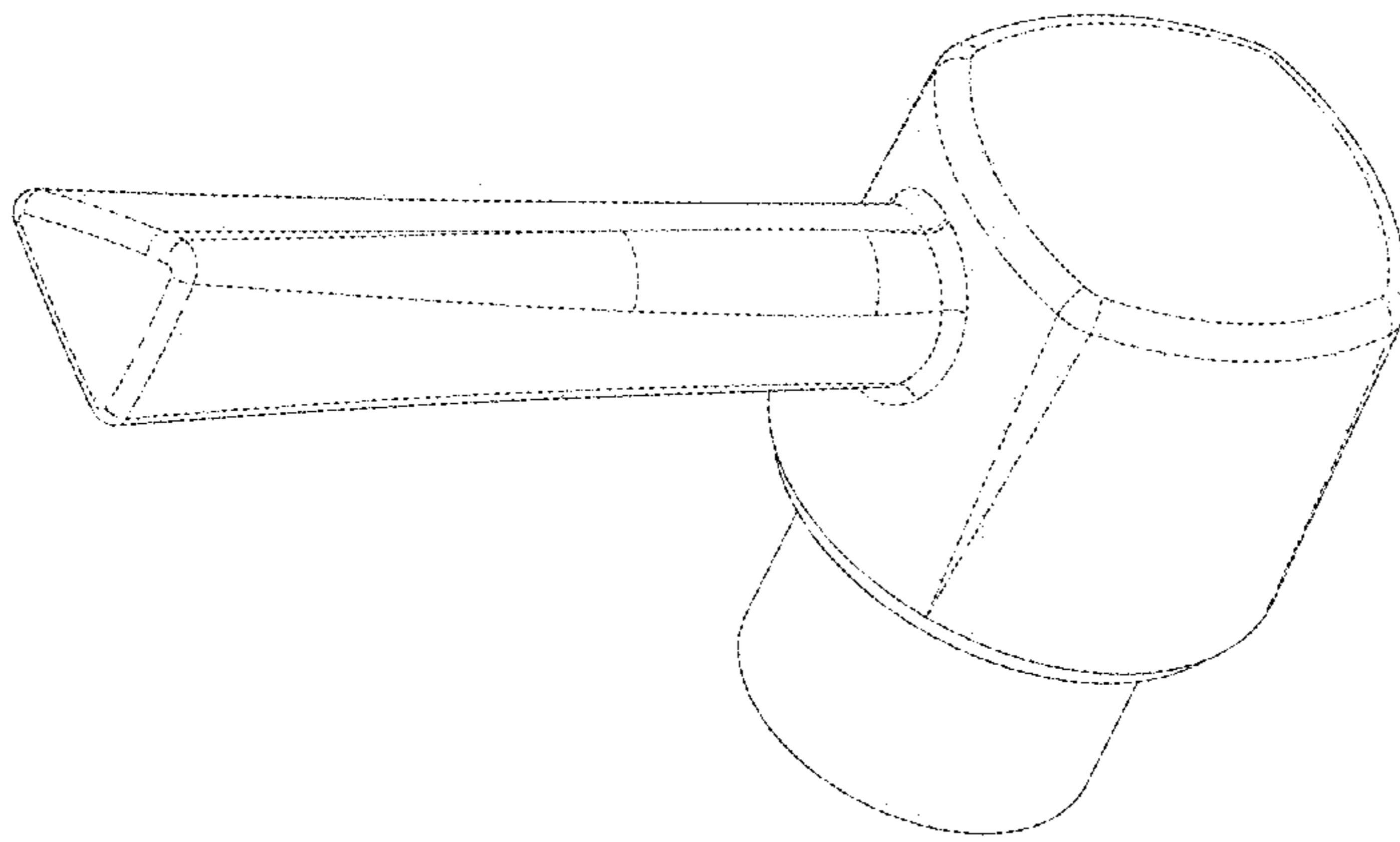


FIG - 1

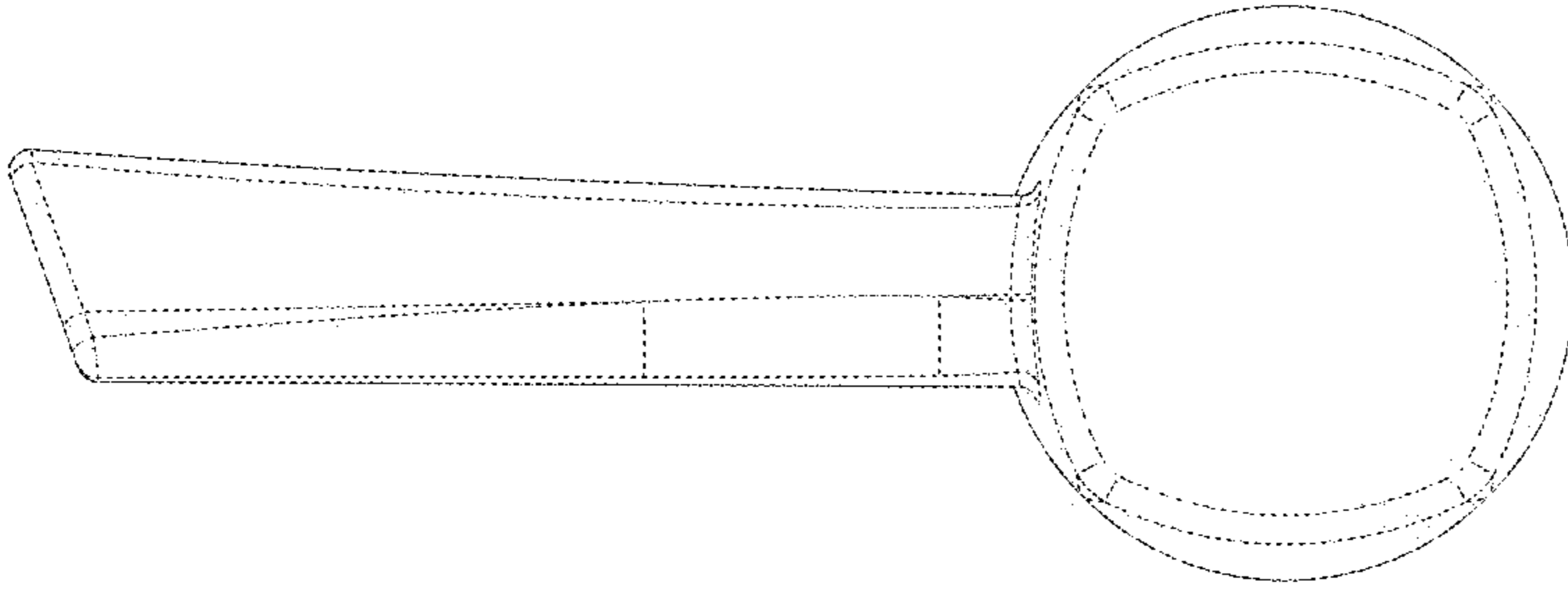


FIG - 4

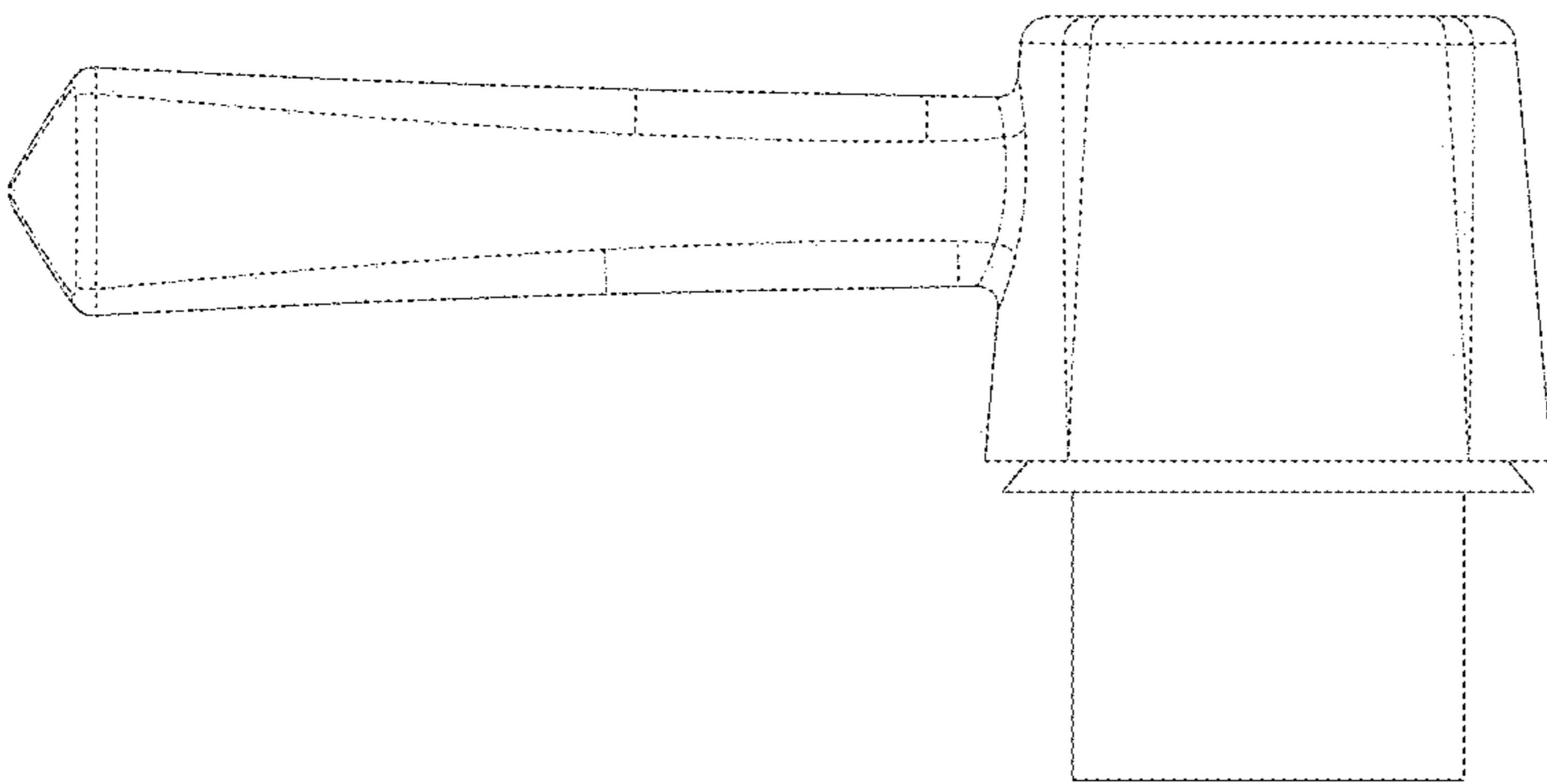


FIG - 3

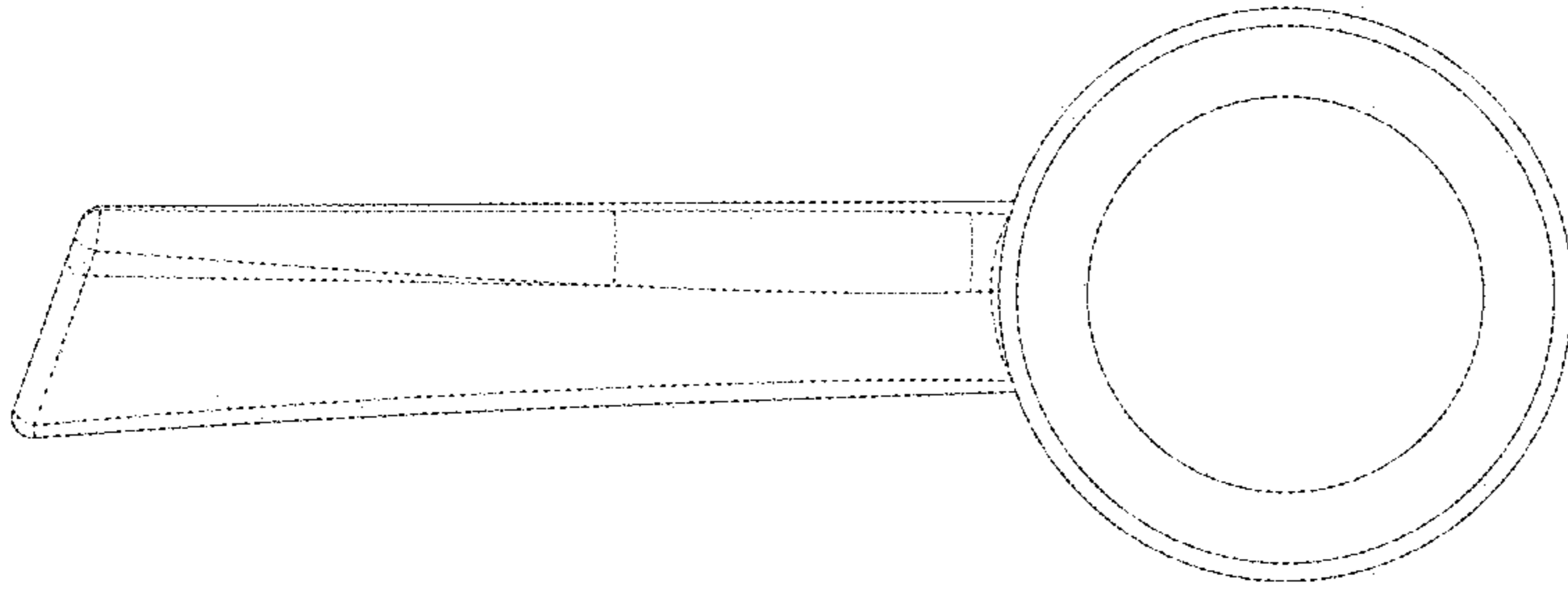


FIG - 6

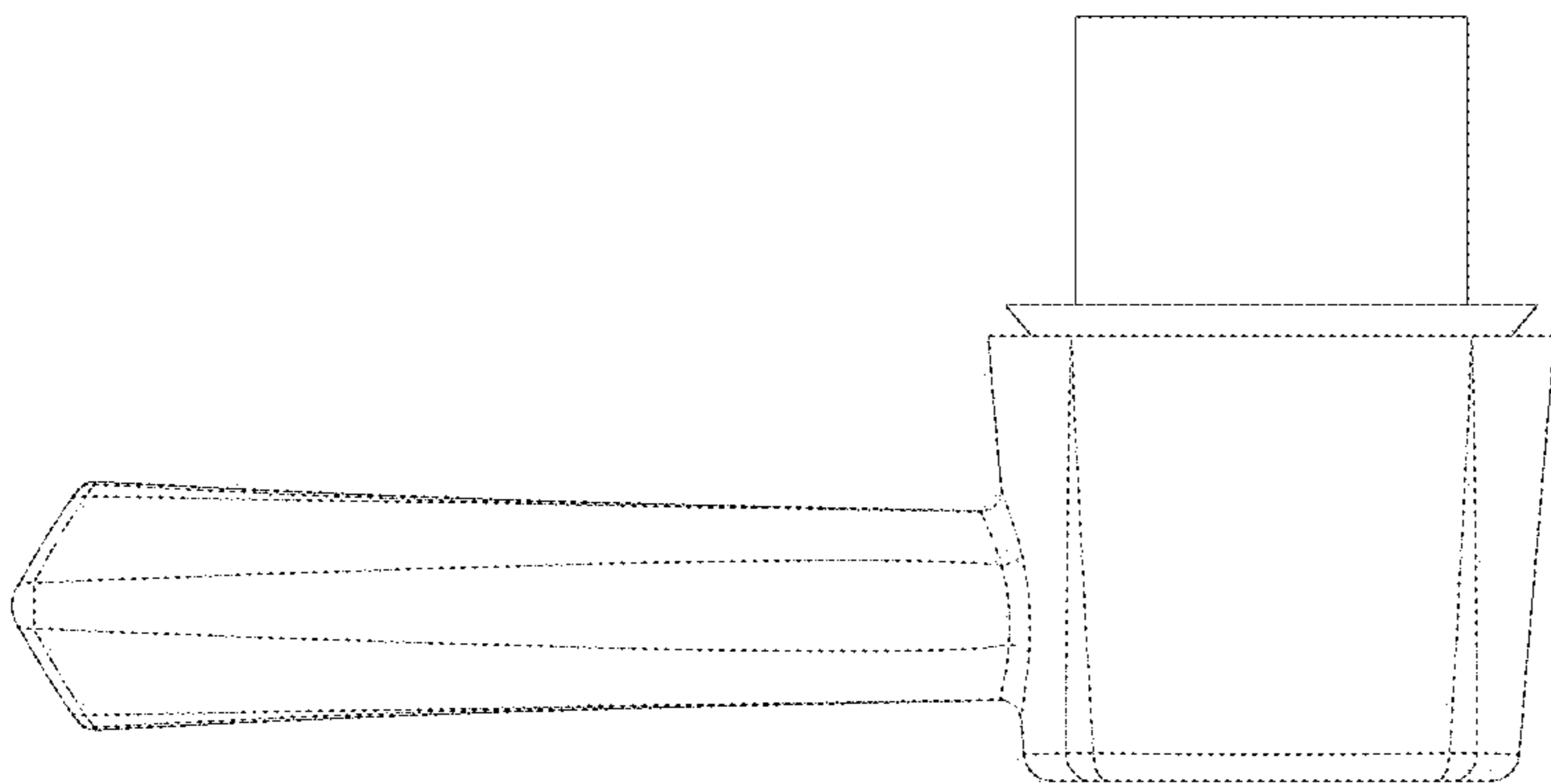


FIG - 5

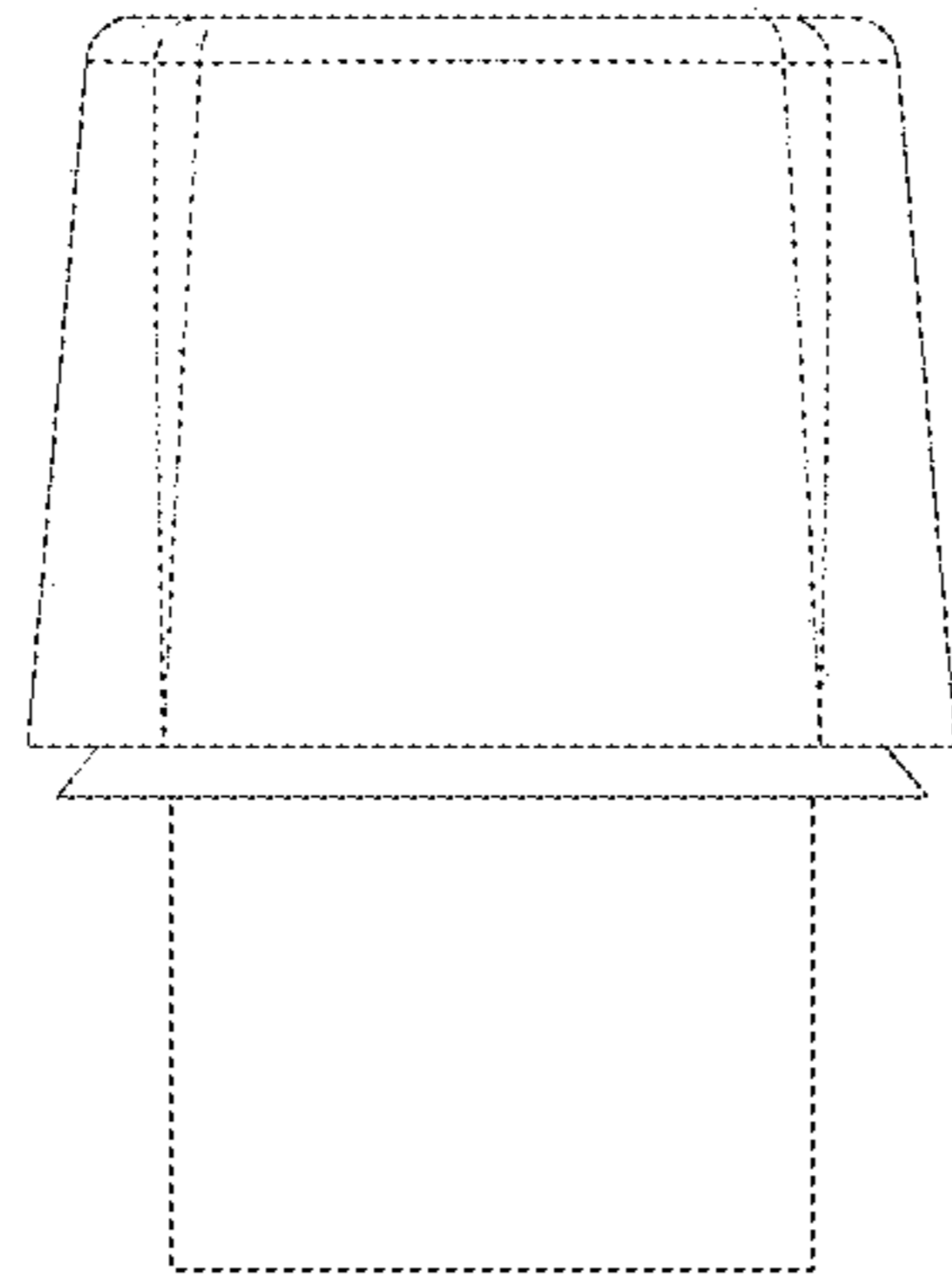


FIG - 8

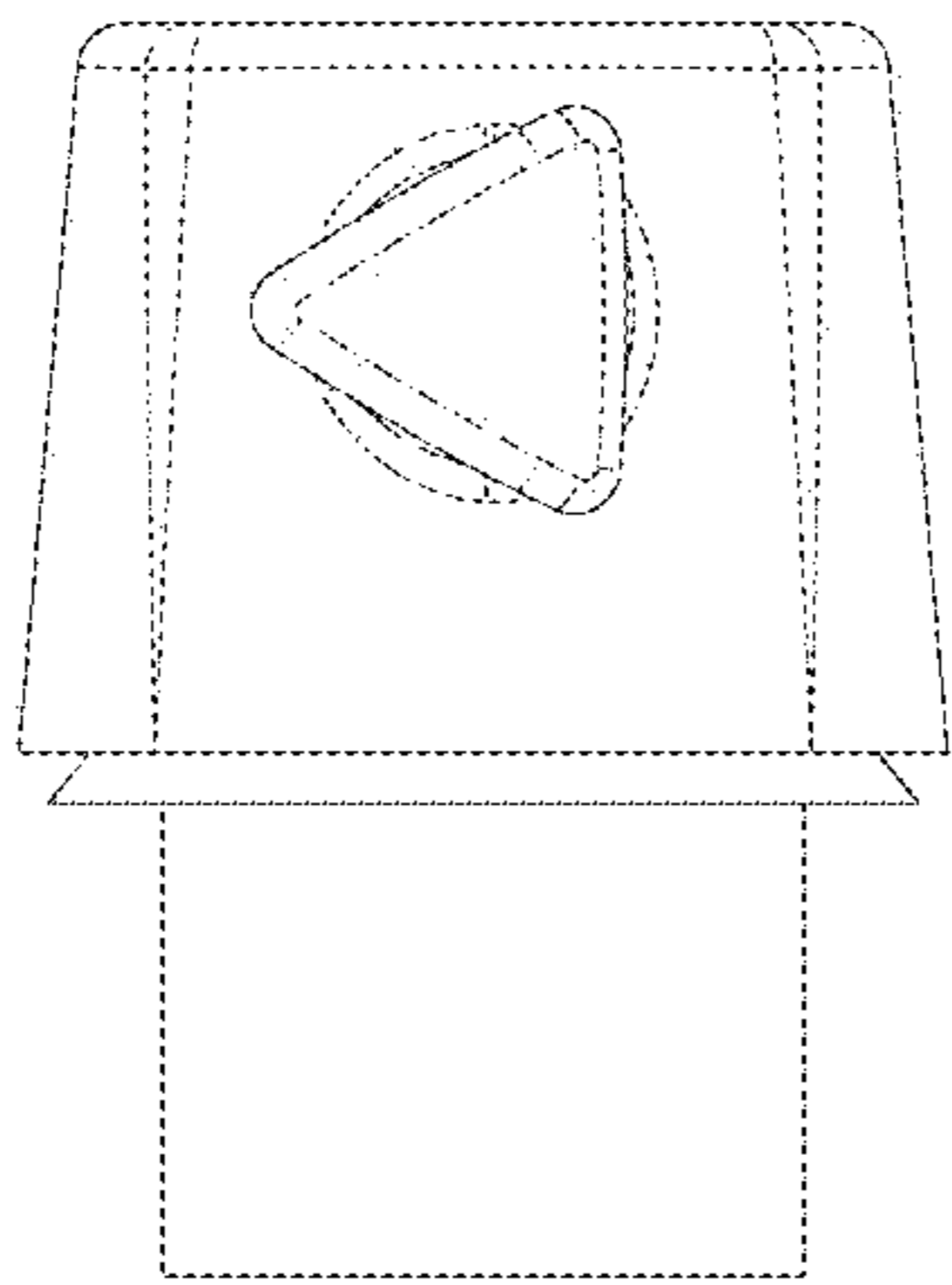


FIG - 7