



US00D954219S

(12) **United States Design Patent**
Para

(10) **Patent No.:** **US D954,219 S**
(45) **Date of Patent:** **** Jun. 7, 2022**

- (54) **FAUCET HANDLE**
- (71) Applicant: **DELTA FAUCET COMPANY**,
Indianapolis, IN (US)
- (72) Inventor: **Lauren Para**, Lisle, IL (US)
- (73) Assignee: **DELTA FAUCET COMPANY**,
Indianapolis, IN (US)
- (**) Term: **15 Years**
- (21) Appl. No.: **29/733,853**
- (22) Filed: **May 7, 2020**
- (51) **LOC (13) Cl.** **23-01**
- (52) **U.S. Cl.**
USPC **D23/252**
- (58) **Field of Classification Search**
USPC D23/238–243, 249, 250, 252, 254, 255,
D23/257, 245, 309; D8/300, 307, 308;
D7/394, 622, 395, 545, 398
CPC Y10T 137/9464; E03C 1/00; E03C 1/02;
E03C 1/04; E03C 1/0412; E03C 1/042;
E03C 1/044; E03C 1/048; E03C 1/05
See application file for complete search history.

D587,786 S *	3/2009	Williams	D23/252
D648,829 S *	11/2011	Gao	D23/252
D687,130 S *	7/2013	Garland	D23/252
D703,793 S *	4/2014	Georgeson	D23/252
D723,663 S *	3/2015	Downey	D23/238
D763,411 S *	8/2016	Garland	D23/252

FOREIGN PATENT DOCUMENTS

CN	200430077865.5	*	8/2004
CN	201730499499	*	10/2017

* cited by examiner

Primary Examiner — Samantha Wood

(74) *Attorney, Agent, or Firm* — Nirav D. Parikh; Edgar A. Zarins

(57) **CLAIM**

The ornamental design for a faucet handle, as shown and described.

DESCRIPTION

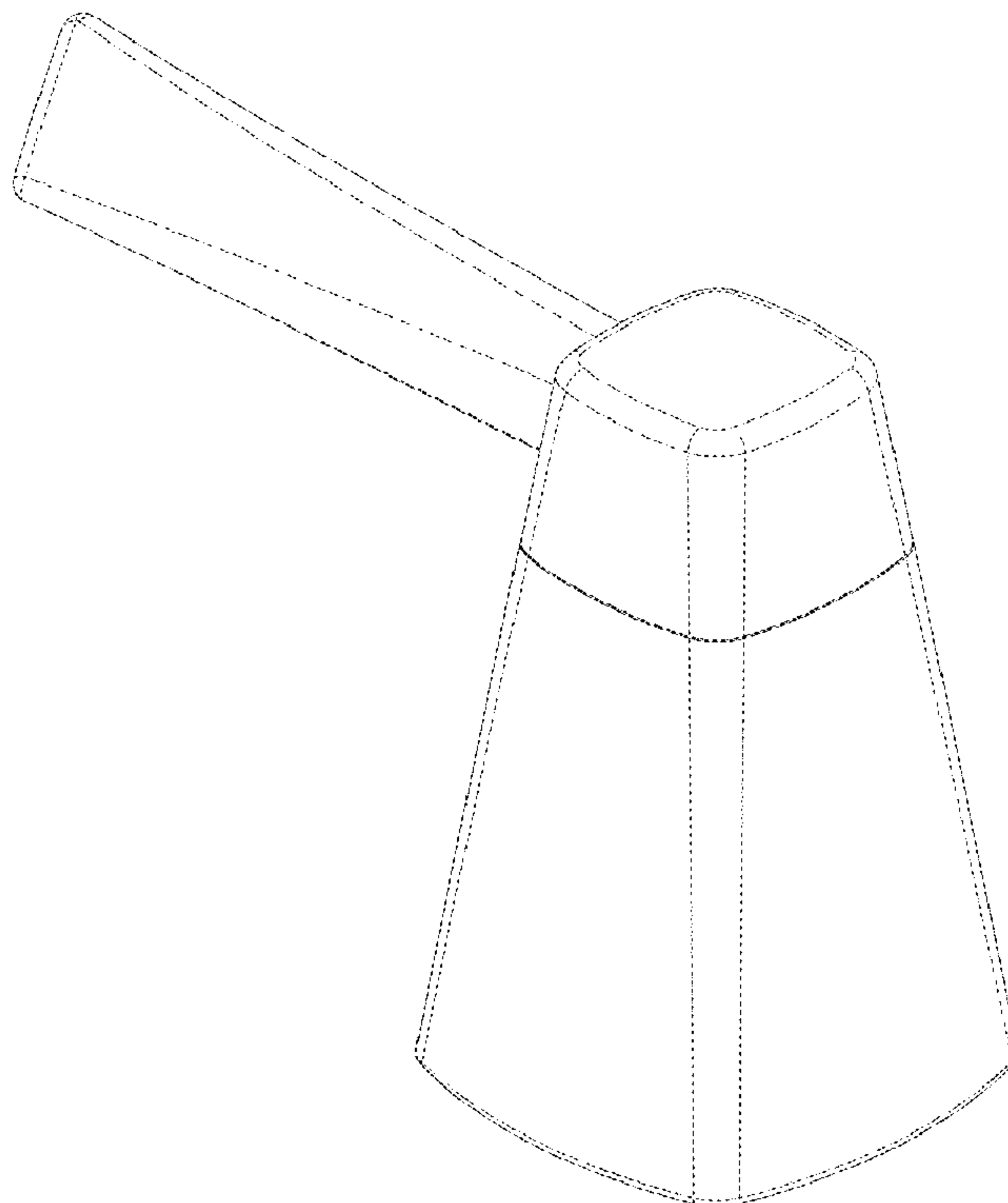
FIG. 1 is a front perspective view of a faucet handle showing my new design;
 FIG. 2 is a rear perspective view thereof;
 FIG. 3 is a front elevational view thereof;
 FIG. 4 is a left side view thereof;
 FIG. 5 is a rear elevational view thereof;
 FIG. 6 is a right side view thereof;
 FIG. 7 is a top plan view thereof; and,
 FIG. 8 is a bottom plan view thereof.

1 Claim, 4 Drawing Sheets

(56) **References Cited**

U.S. PATENT DOCUMENTS

D175,819 S *	10/1955	Young	D23/252
D493,213 S *	7/2004	Svendsen	D23/252
D516,675 S *	3/2006	Kakahana	D23/241
D522,624 S *	6/2006	Koury	D23/252
D523,533 S *	6/2006	Schaffeld	D23/252



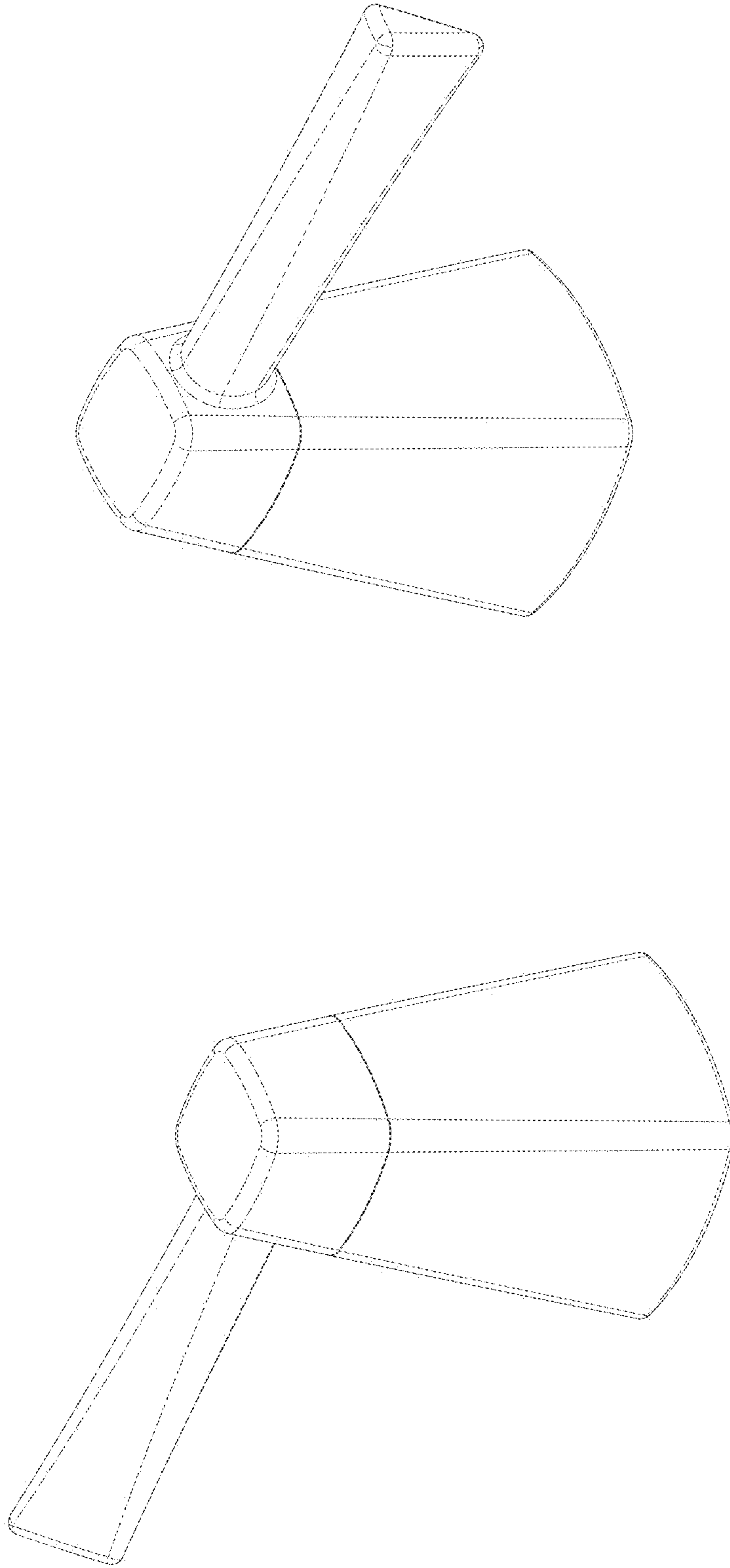


FIG - 2

FIG - 1

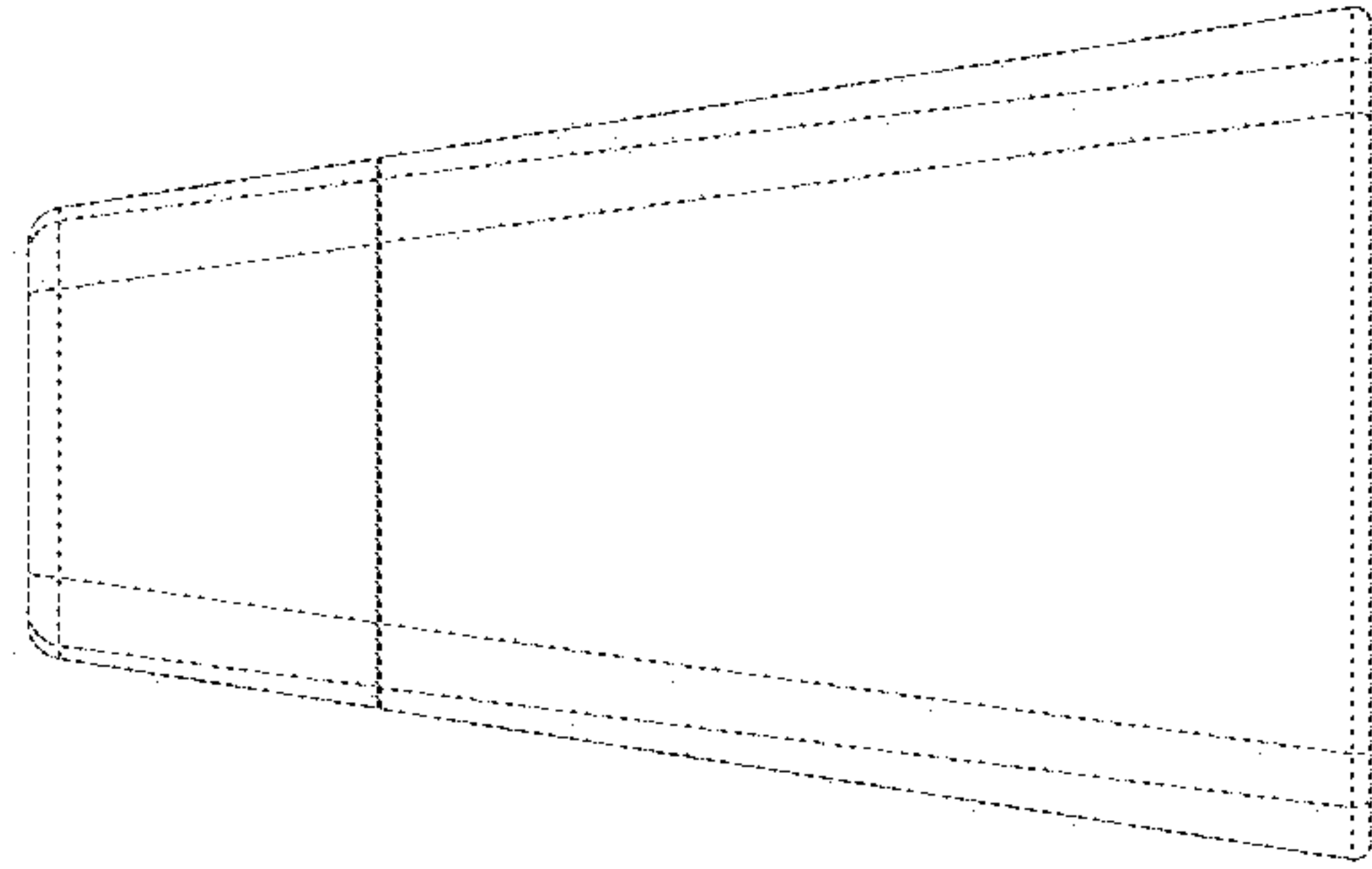


FIG - 4

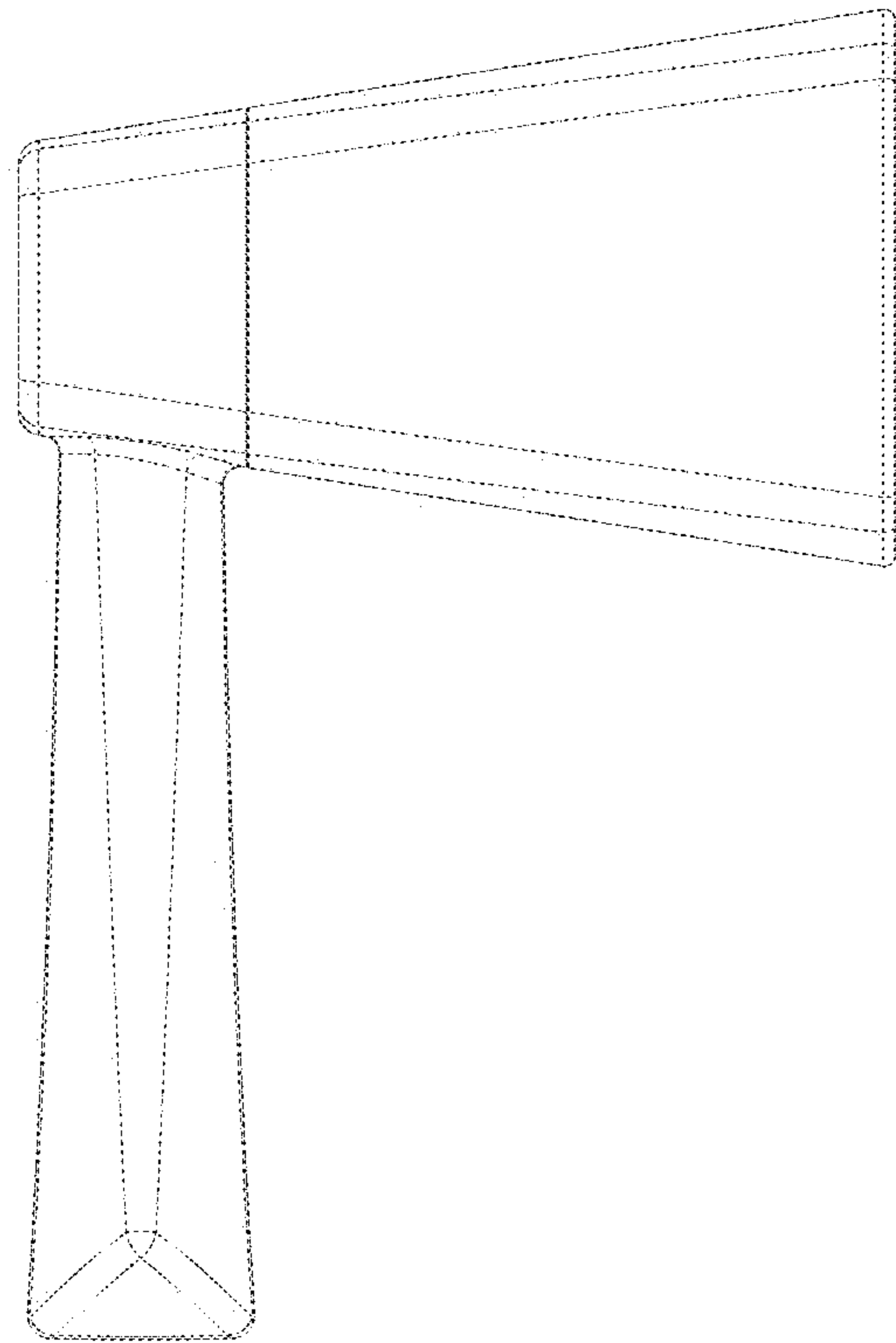


FIG - 3

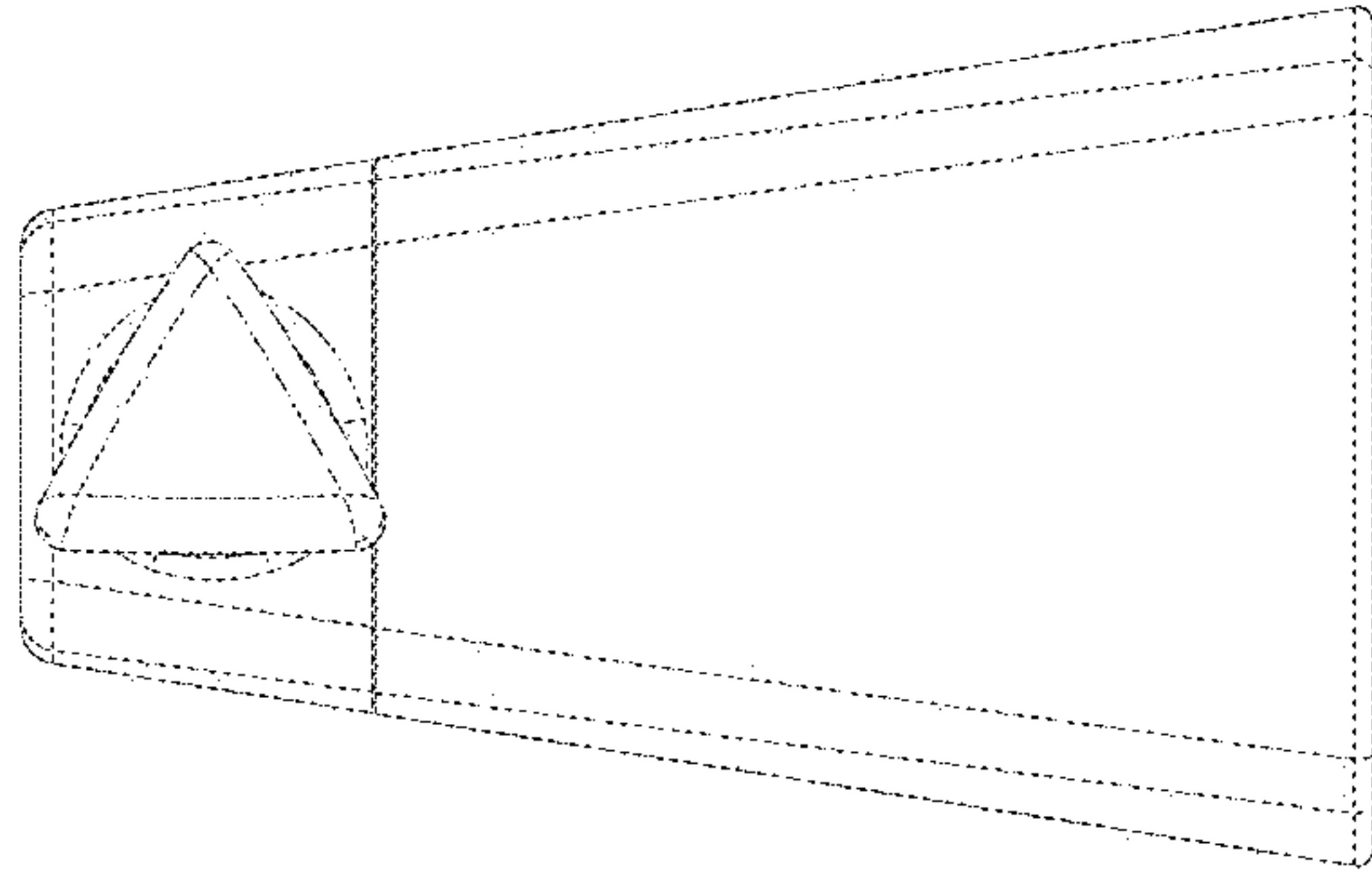


FIG - 6

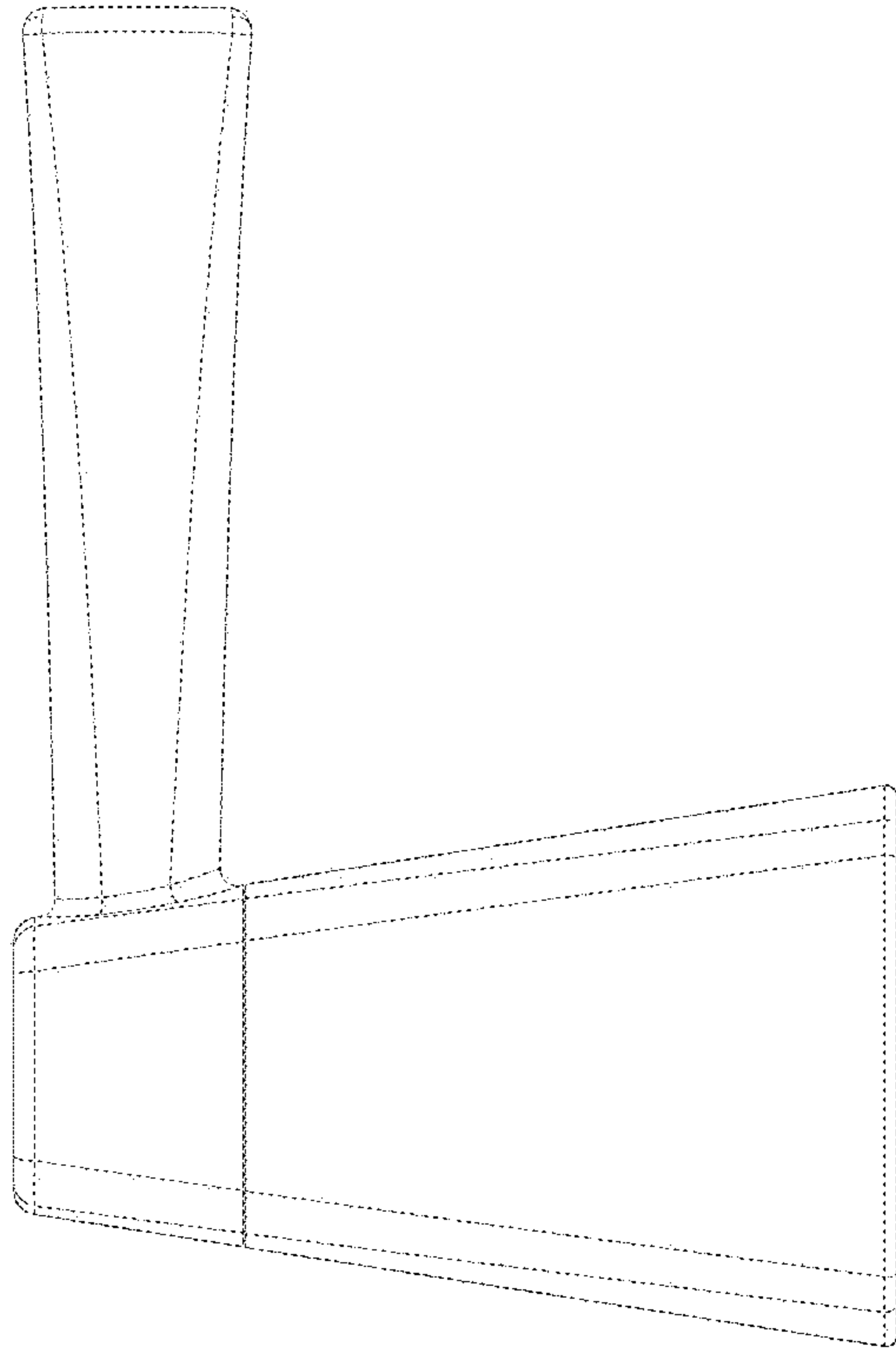


FIG - 5

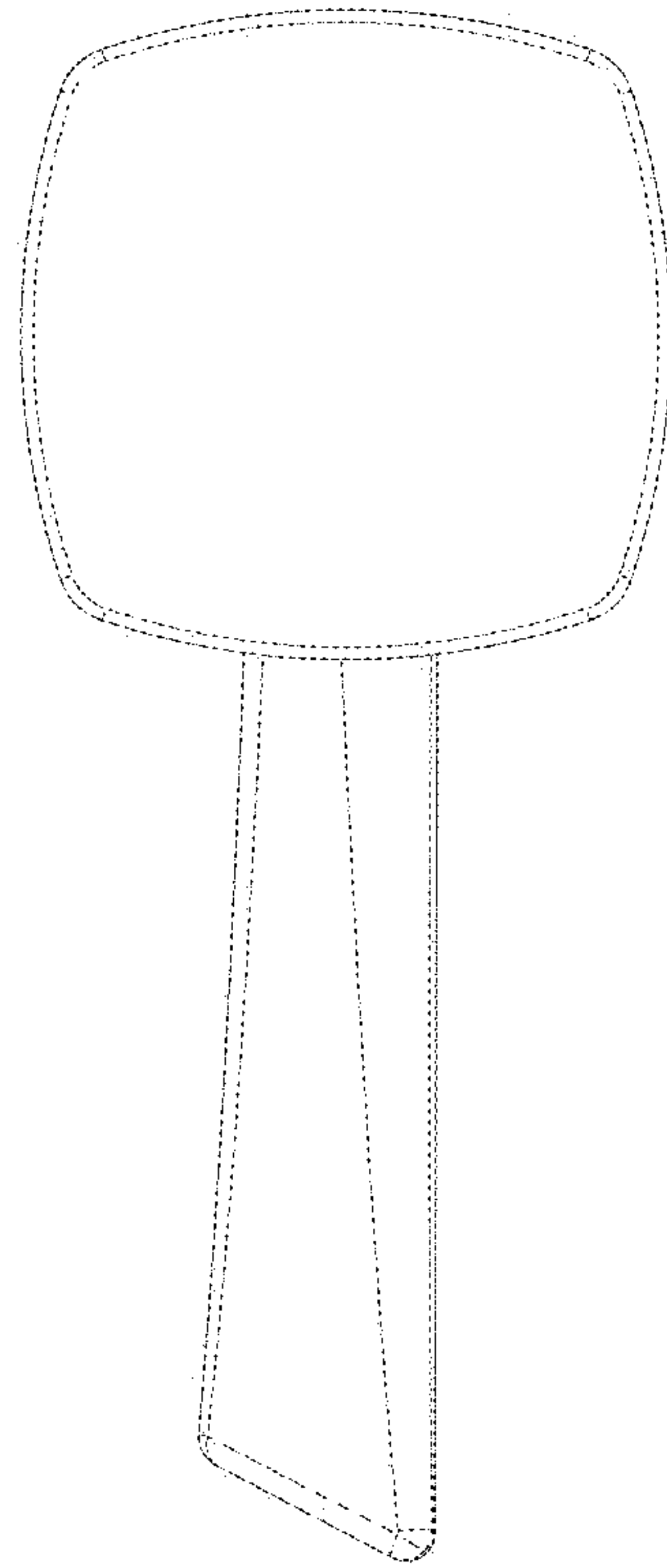


FIG - 8

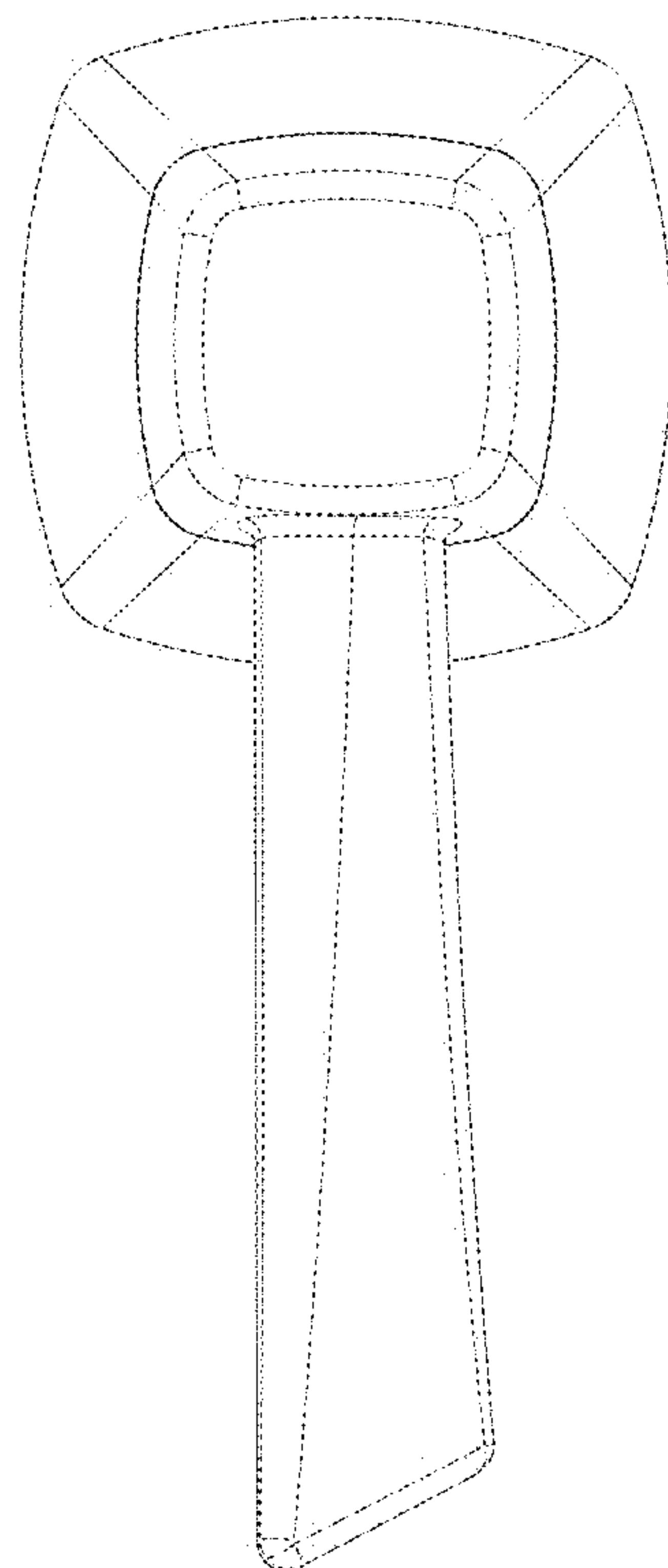


FIG - 7