



US00D954217S

(12) **United States Design Patent**
Garland

(10) **Patent No.:** **US D954,217 S**
(45) **Date of Patent:** **** Jun. 7, 2022**

(54) **FAUCET HANDLE**

D689,595 S * 9/2013 Georgeson D23/238
D718,839 S * 12/2014 Garland D23/252
D833,580 S * 11/2018 Niu D23/252

(71) Applicant: **DELTA FAUCET COMPANY,**
Indianapolis, IN (US)

FOREIGN PATENT DOCUMENTS

(72) Inventor: **Celine Kwok Garland,** Zionsville, IN
(US)

CN 200730068352 * 8/2007
CN 201330533223 * 11/2013
CN 201930583527.5 * 4/2020
EM 000146022-0001 * 3/2004

(73) Assignee: **DELTA FAUCET COMPANY,**
Indianapolis, IN (US)

OTHER PUBLICATIONS

(**) Term: **15 Years**

Amazon, Moen S6700BN 90 Degree One-Handle Modern Bath-
room Faucet, posted Feb. 12, 2011, [online], [visited Aug. 13,
2021]. Internet, <URL: [https://www.amazon.com/dp/B004NJ4ZGY/
ref](https://www.amazon.com/dp/B004NJ4ZGY/ref)> (Year: 2011).*

(21) Appl. No.: **29/733,217**

* cited by examiner

(22) Filed: **Apr. 30, 2020**

(51) **LOC (13) Cl.** **23-01**

(52) **U.S. Cl.**

USPC **D23/252**

(58) **Field of Classification Search**

USPC D23/238-243, 249, 250, 252, 254, 255,
D23/257, 245, 309; D8/300, 307, 308;
D7/394, 622, 395, 398

CPC Y10T 137/9464; E03C 1/00; E03C 1/02;
E03C 1/04; E03C 1/0412; E03C 1/042;
E03C 1/044; E03C 1/048; E03C 1/05

See application file for complete search history.

Primary Examiner — Samantha Wood

(74) *Attorney, Agent, or Firm* — Nirav D. Parikh; Edgar
A. Zarins

(57) **CLAIM**

The ornamental design for a faucet handle, as shown and
described.

DESCRIPTION

(56) **References Cited**

U.S. PATENT DOCUMENTS

D416,609 S * 11/1999 Mullenmeister D23/252
D442,264 S * 5/2001 Mullenmeister D23/252
D458,667 S * 6/2002 Gottwald D23/252
D460,532 S * 7/2002 Marcichow D23/250
D484,573 S * 12/2003 Haug D23/252
D674,055 S * 1/2013 Lord D23/252
D676,116 S * 2/2013 Lord D23/252
D676,529 S * 2/2013 Lord D23/252

FIG. 1 is a front perspective view of a faucet handle showing
my new design;

FIG. 2 is a rear perspective view thereof;

FIG. 3 is a front elevational view thereof;

FIG. 4 is a left side view thereof;

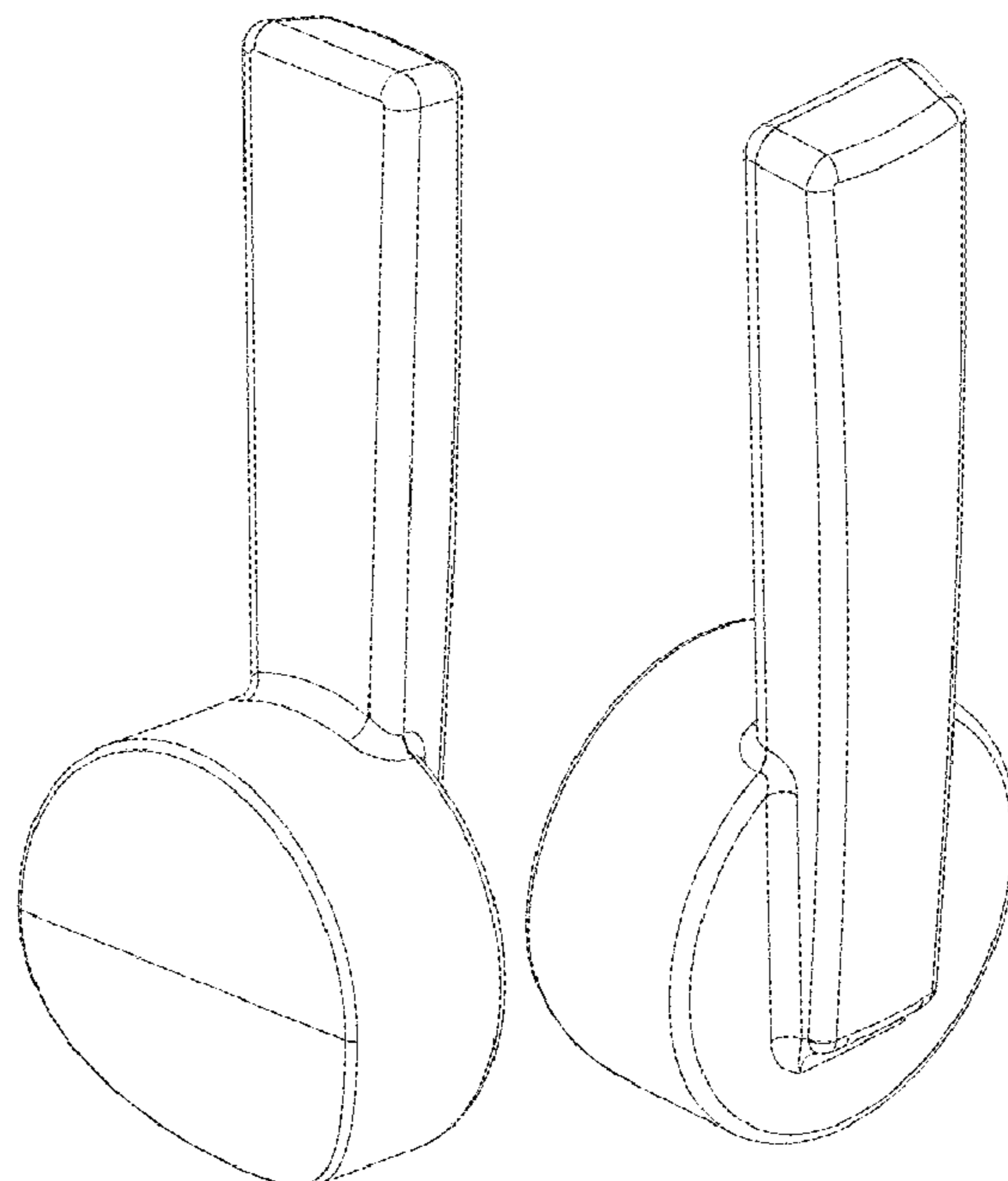
FIG. 5 is a rear view thereof;

FIG. 6 is a right side view thereof;

FIG. 7 is a top plan view thereof; and,

FIG. 8 is a bottom view thereof.

1 Claim, 4 Drawing Sheets



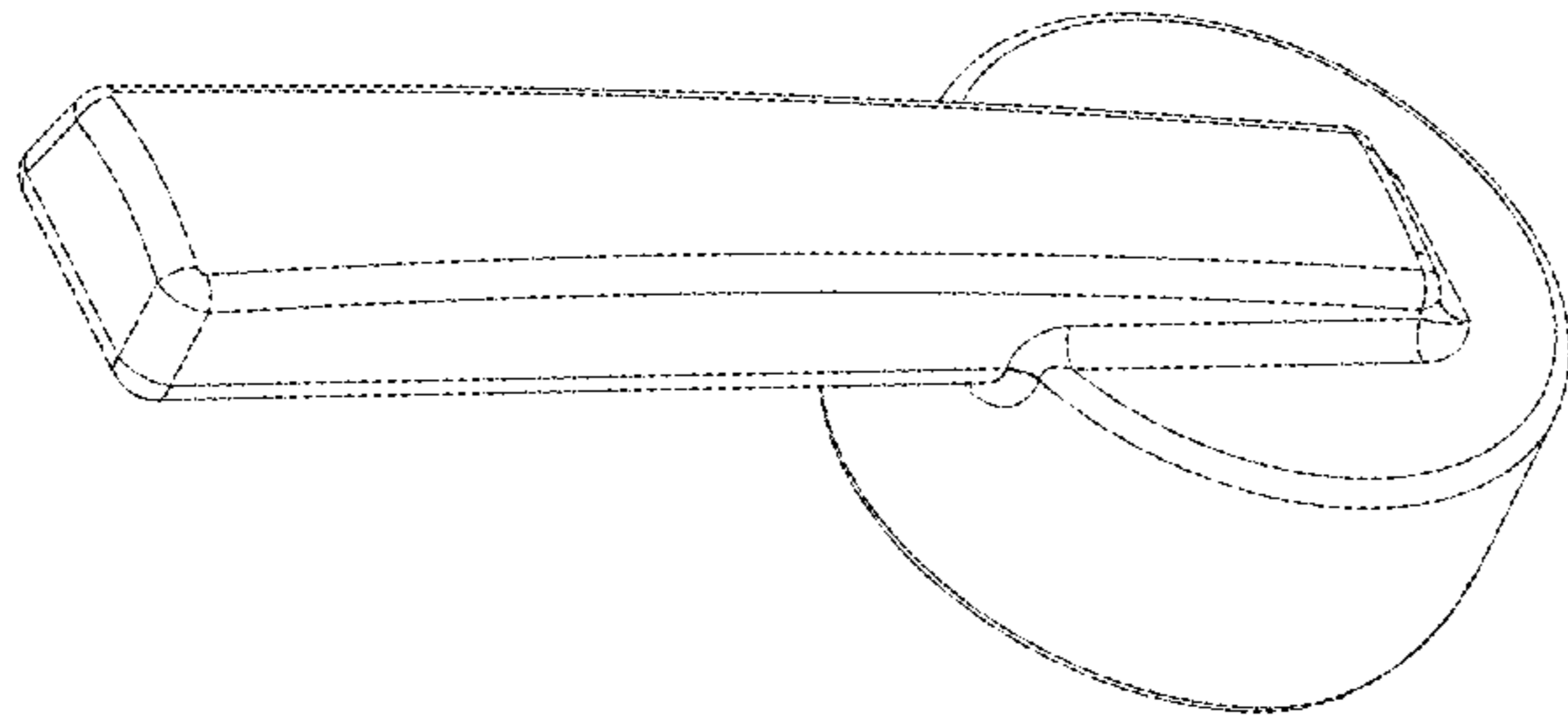


FIG-2

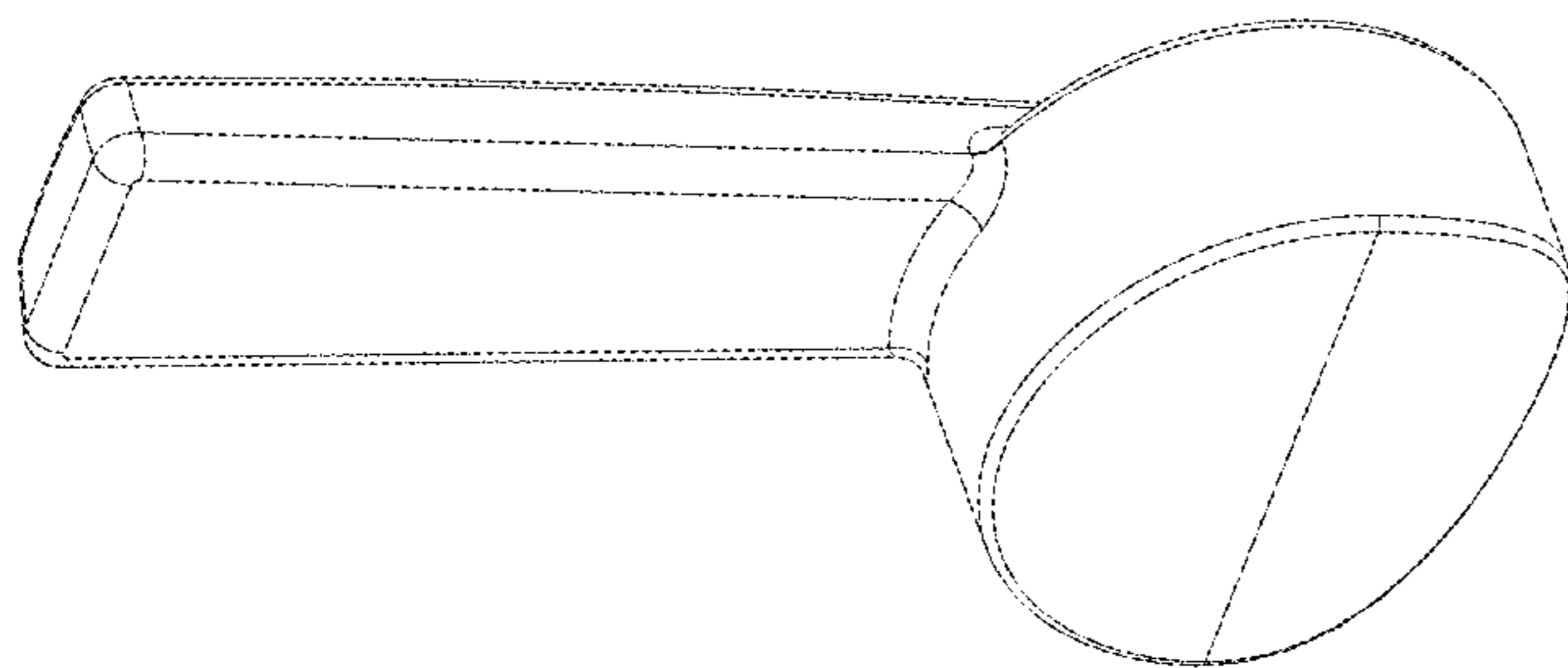


FIG-1

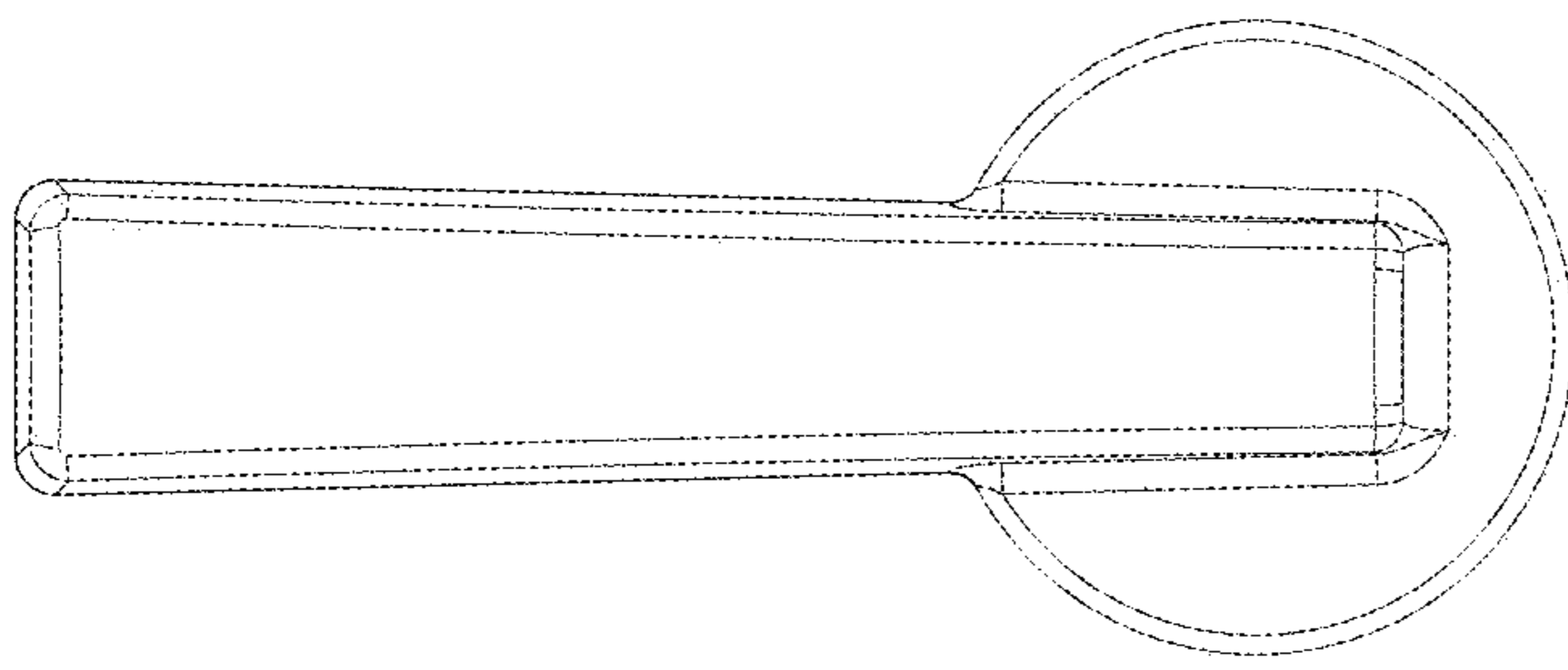


FIG-4

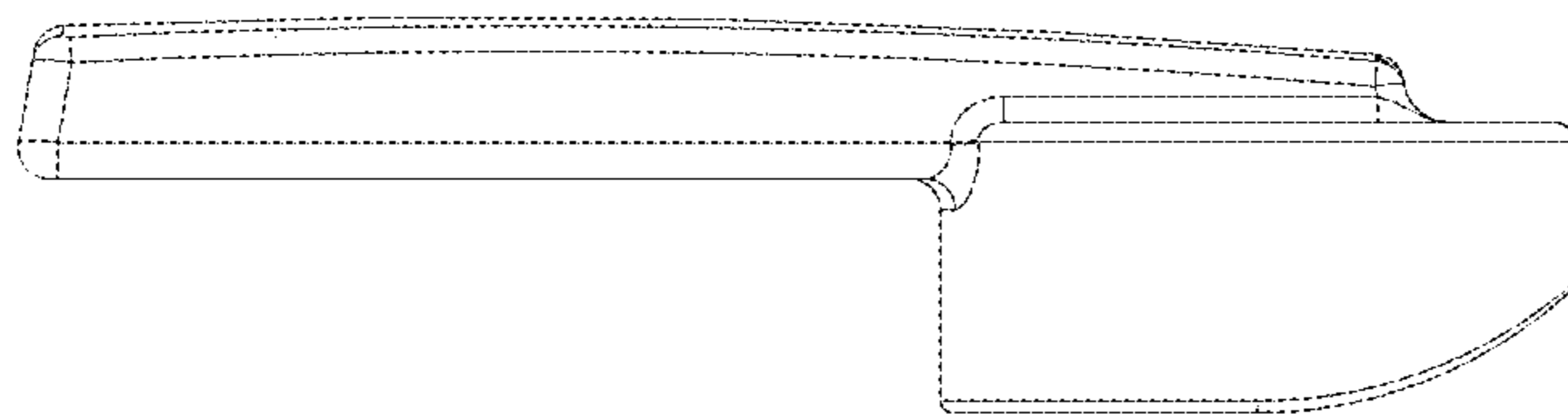


FIG-3

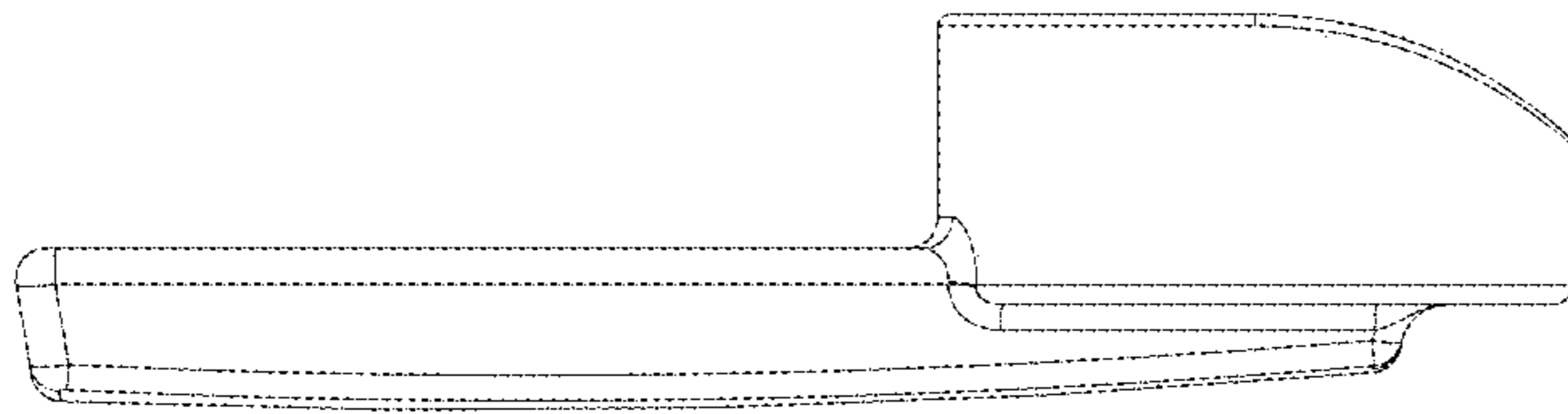


FIG-6

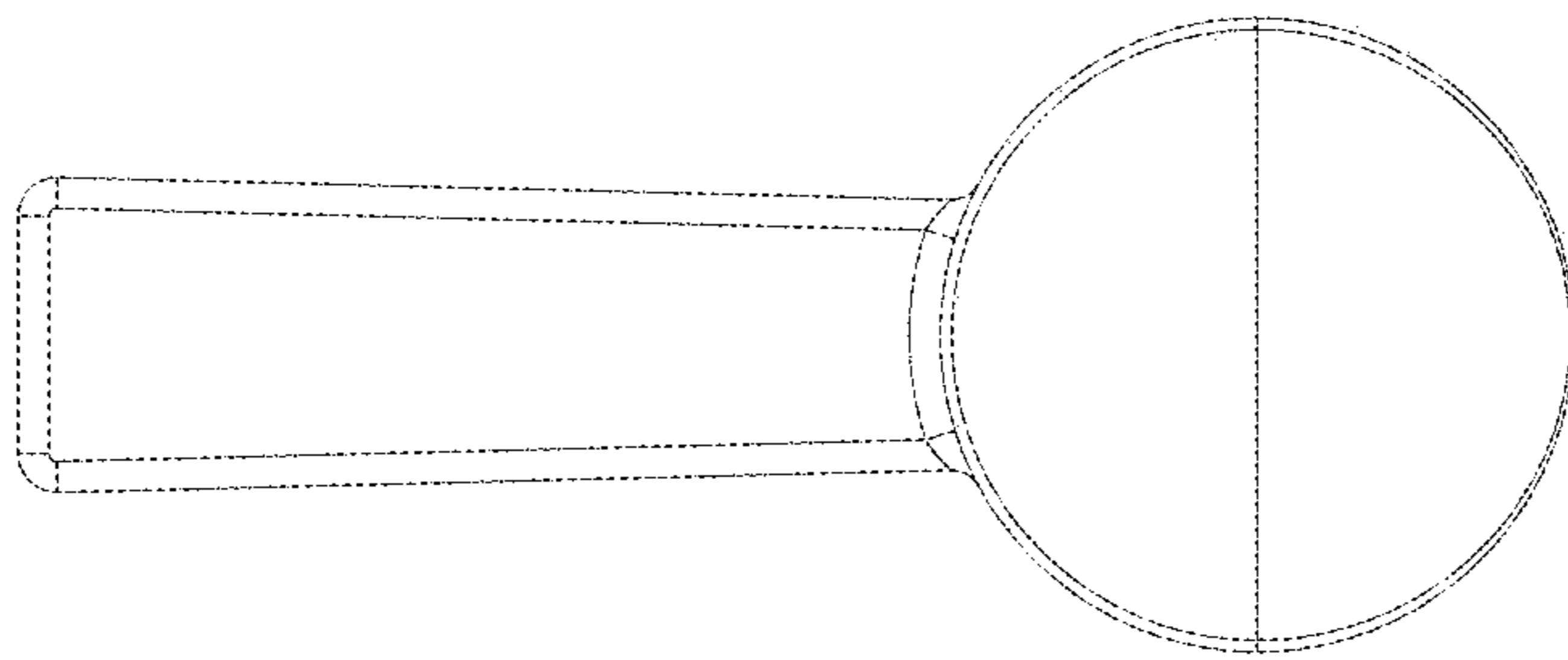


FIG-5

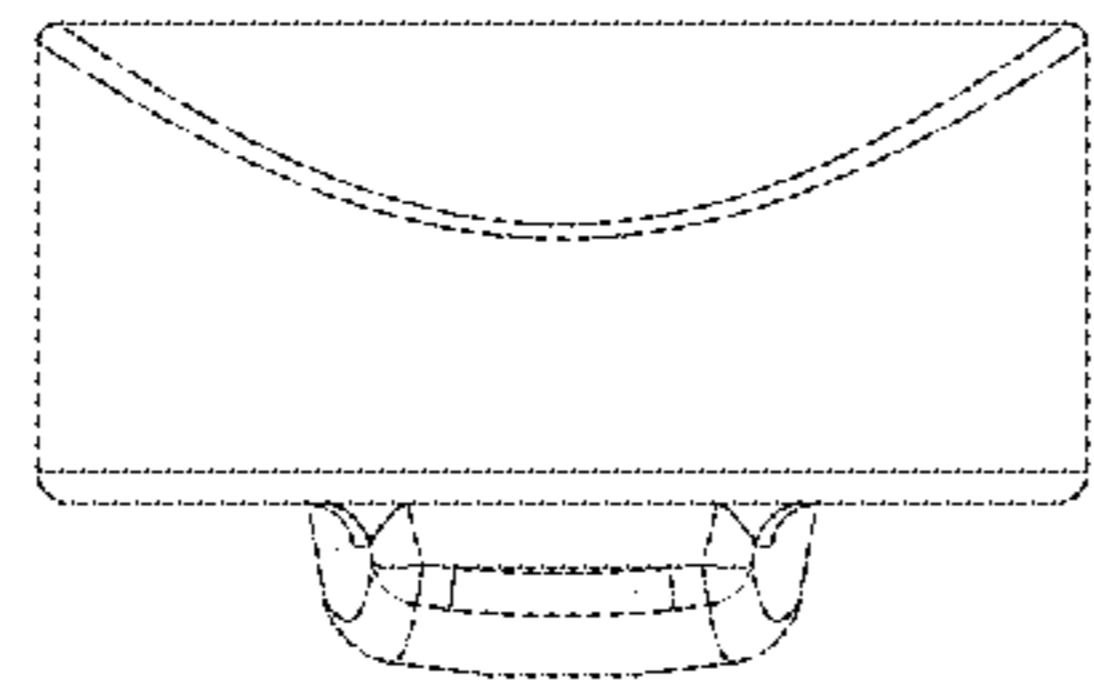


FIG-8

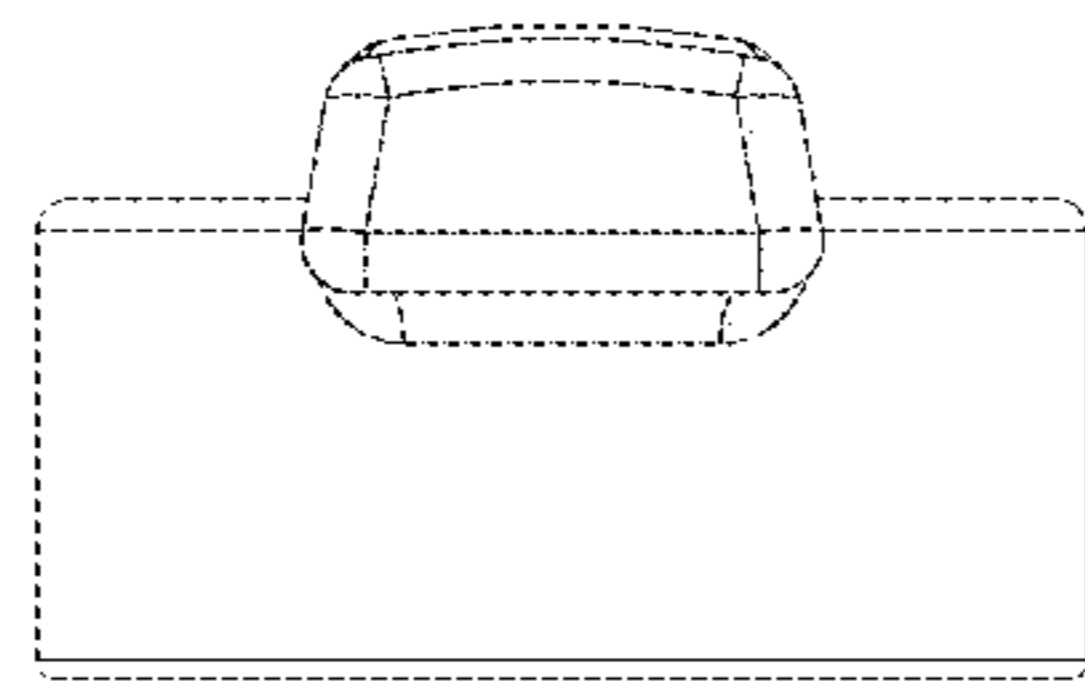


FIG-7