



US00D954216S

(12) **United States Design Patent** (10) **Patent No.:** **US D954,216 S**
Para (45) **Date of Patent:** **** Jun. 7, 2022**

(54) **FAUCET HANDLE**

FOREIGN PATENT DOCUMENTS

(71) Applicant: **DELTA FAUCET COMPANY,**
Indianapolis, IN (US)

CN 201130510581 * 12/2011
CN 201330487724 * 10/2013

(72) Inventor: **Lauren Para,** Lisle, IL (US)

OTHER PUBLICATIONS

(73) Assignee: **DELTA FAUCET COMPANY,**
Indianapolis, IN (US)

Amazon, CREA Touch Sensor Kitchen Tap, posted May 7, 2017, [online], [visited Aug. 13, 2021]. Internet, <URL: <https://www.amazon.co.uk/Kitchen-CREA-Sprayer-Faucets-Stainless/dp/B06XY68WMB/ref>> (Year: 2017).*

(**) Term: **15 Years**

Amazon, asdfg Professional Sink Mixer Tap, posted Sep. 28, 2017, [online], [visited Aug. 13, 2021]. Internet, <URL: <https://www.amazon.co.uk/Professional-Kitchen-Rotation-Standard-Fittings/dp/B075ZT6GPD/ref>> (Year: 2017).*

(21) Appl. No.: **29/733,172**

Amazon, GAPPO Pull Out Kitchen Tap, posted Dec. 1, 2018, [online], [visited Aug. 13, 2021]. Internet, <URL: <https://www.amazon.co.uk/GAPPO-Kitchen-Function-Sprayer-Monobloc/dp/B07L1PV2QS/ref>> (Year: 2018).*

(22) Filed: **Apr. 30, 2020**

(51) **LOC (13) Cl.** **23-01**

(52) **U.S. Cl.**

USPC **D23/252**

(58) **Field of Classification Search**

USPC D23/238-243, 249, 250, 252, 254, 255,
D23/257, 245, 309; D8/300, 307, 308;
D7/394, 622, 395, 398

CPC Y10T 137/9464; E03C 1/00; E03C 1/02;
E03C 1/04; E03C 1/0412; E03C 1/042;
E03C 1/044; E03C 1/048; E03C 1/05

See application file for complete search history.

* cited by examiner

Primary Examiner — Samantha Wood

(74) *Attorney, Agent, or Firm* — Nirav D. Parikh; Edgar A. Zarins

(57) **CLAIM**

The ornamental design for a faucet handle, as shown and described.

DESCRIPTION

FIG. 1 is a front perspective view of a faucet handle showing my new design;

FIG. 2 is a rear perspective view thereof;

FIG. 3 is a front elevational view thereof;

FIG. 4 is a left side view thereof;

FIG. 5 is a rear view thereof;

FIG. 6 is a right side view thereof;

FIG. 7 is a top plan view thereof; and,

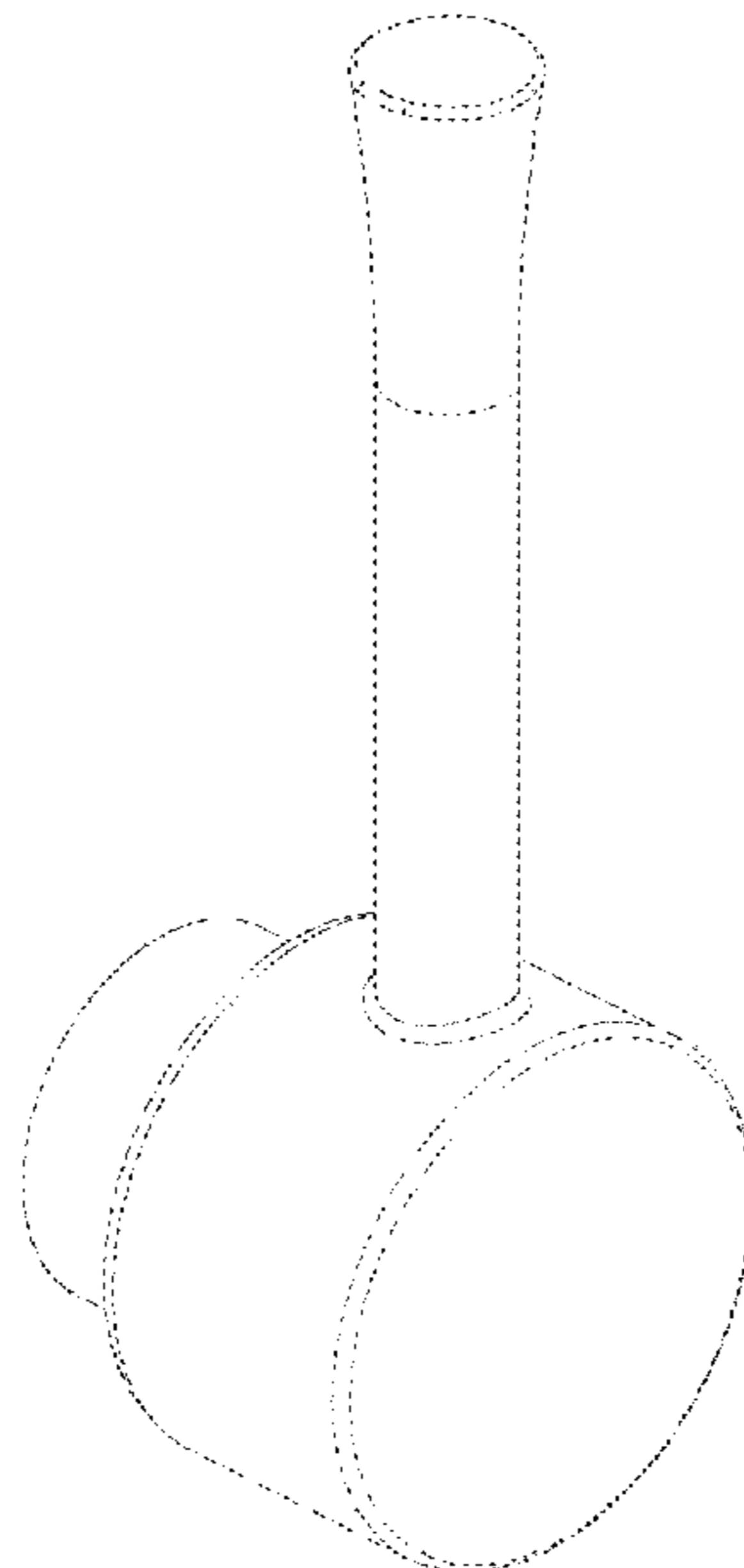
FIG. 8 is a bottom view thereof.

(56) **References Cited**

U.S. PATENT DOCUMENTS

D482,760 S	*	11/2003	Fraser	D23/252
D511,200 S	*	11/2005	Kulig	D23/238
D523,533 S	*	6/2006	Schaffeld	D23/252
D535,724 S	*	1/2007	Zhou	D23/238
D655,787 S	*	3/2012	Obara	D23/242
D674,881 S	*	1/2013	Kwok	D23/252
D676,529 S	*	2/2013	Lord	D23/252
D687,127 S	*	7/2013	Fritz	D23/238
D759,207 S	*	6/2016	Gilbert	D23/252
D871,545 S	*	12/2019	Wang	D23/238

1 Claim, 4 Drawing Sheets



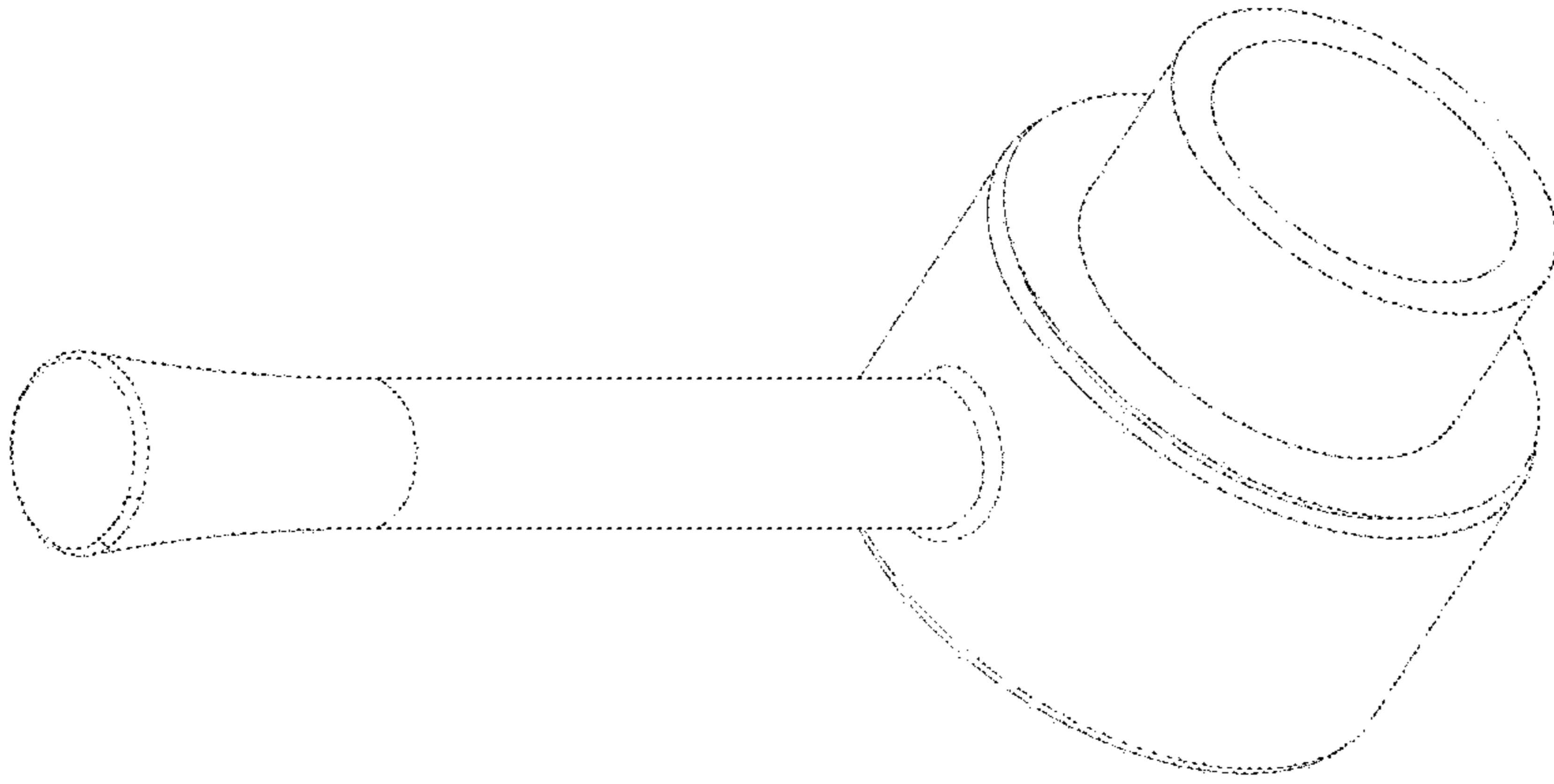


FIG. 2

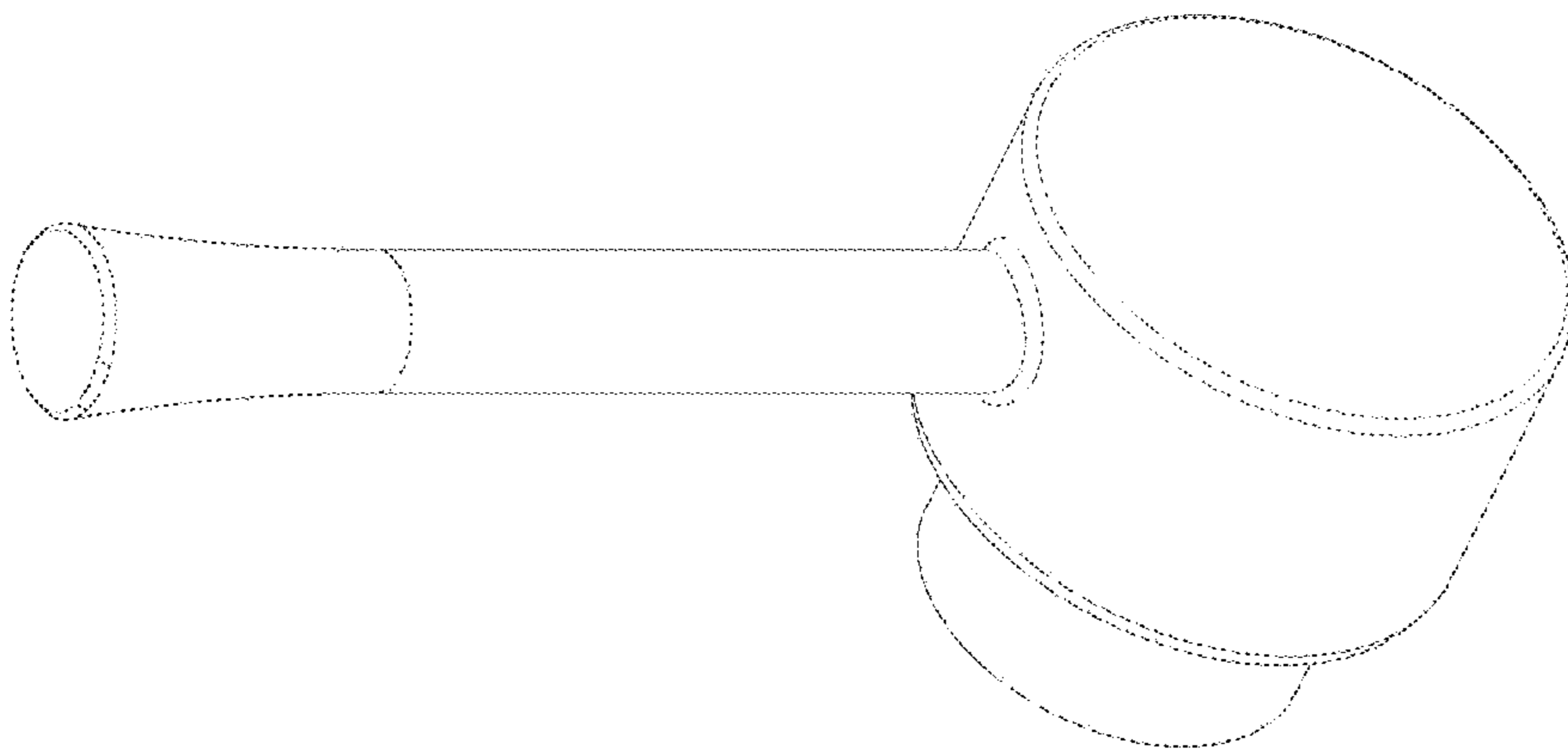


FIG. 1

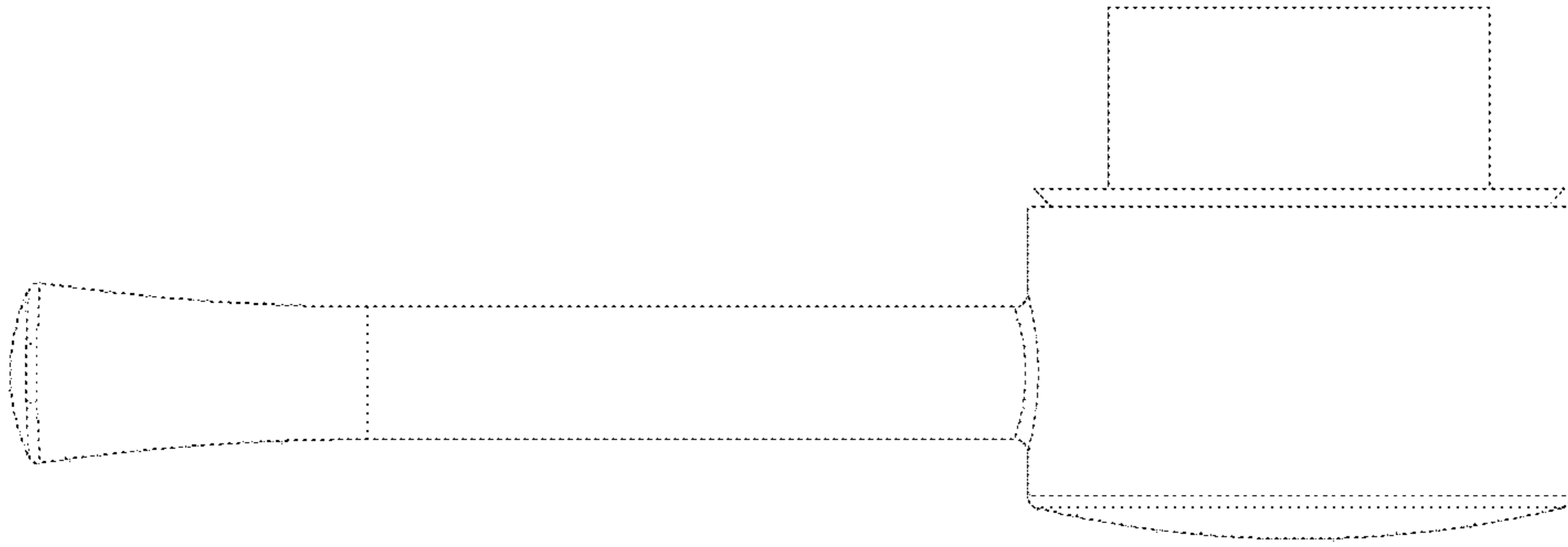


FIG. 4

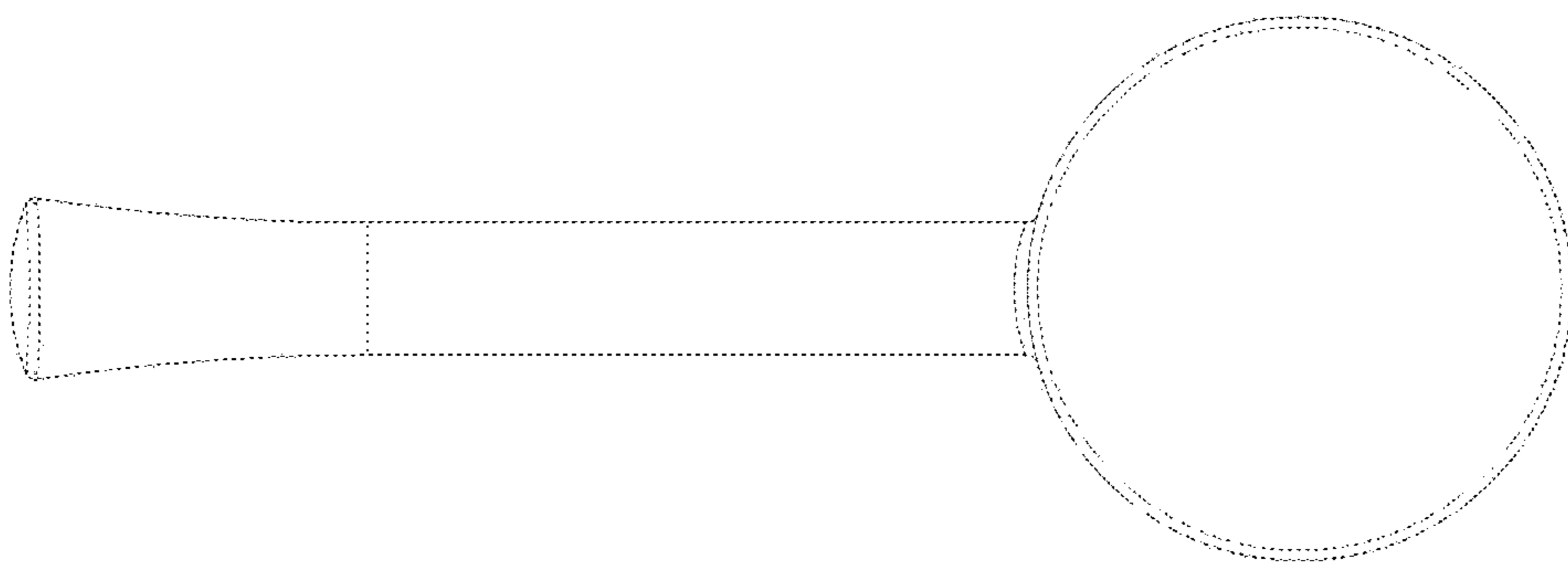


FIG. 3

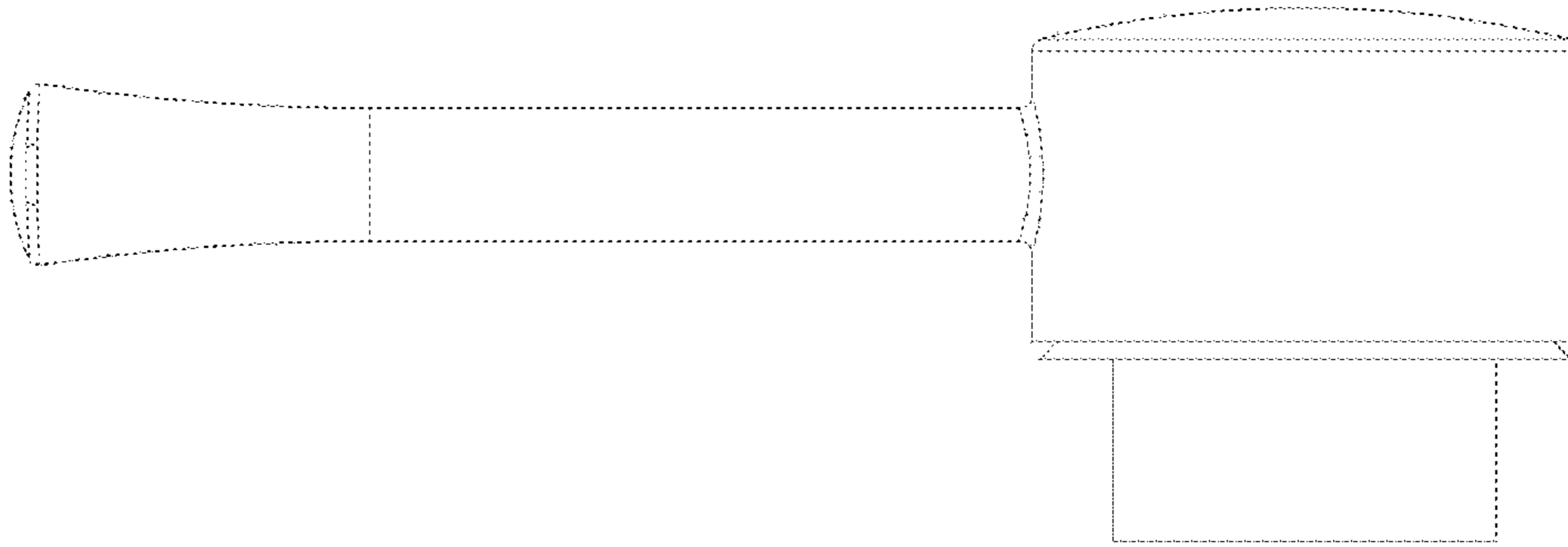


FIG. 10

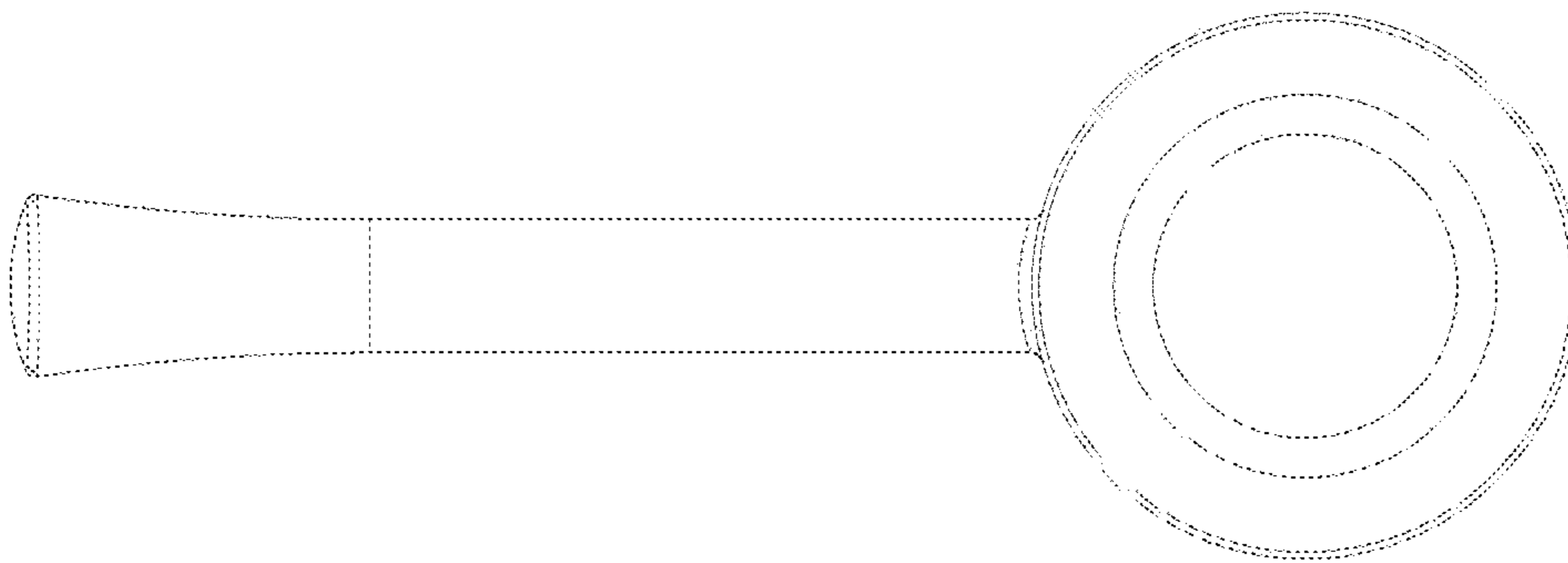


FIG. 11

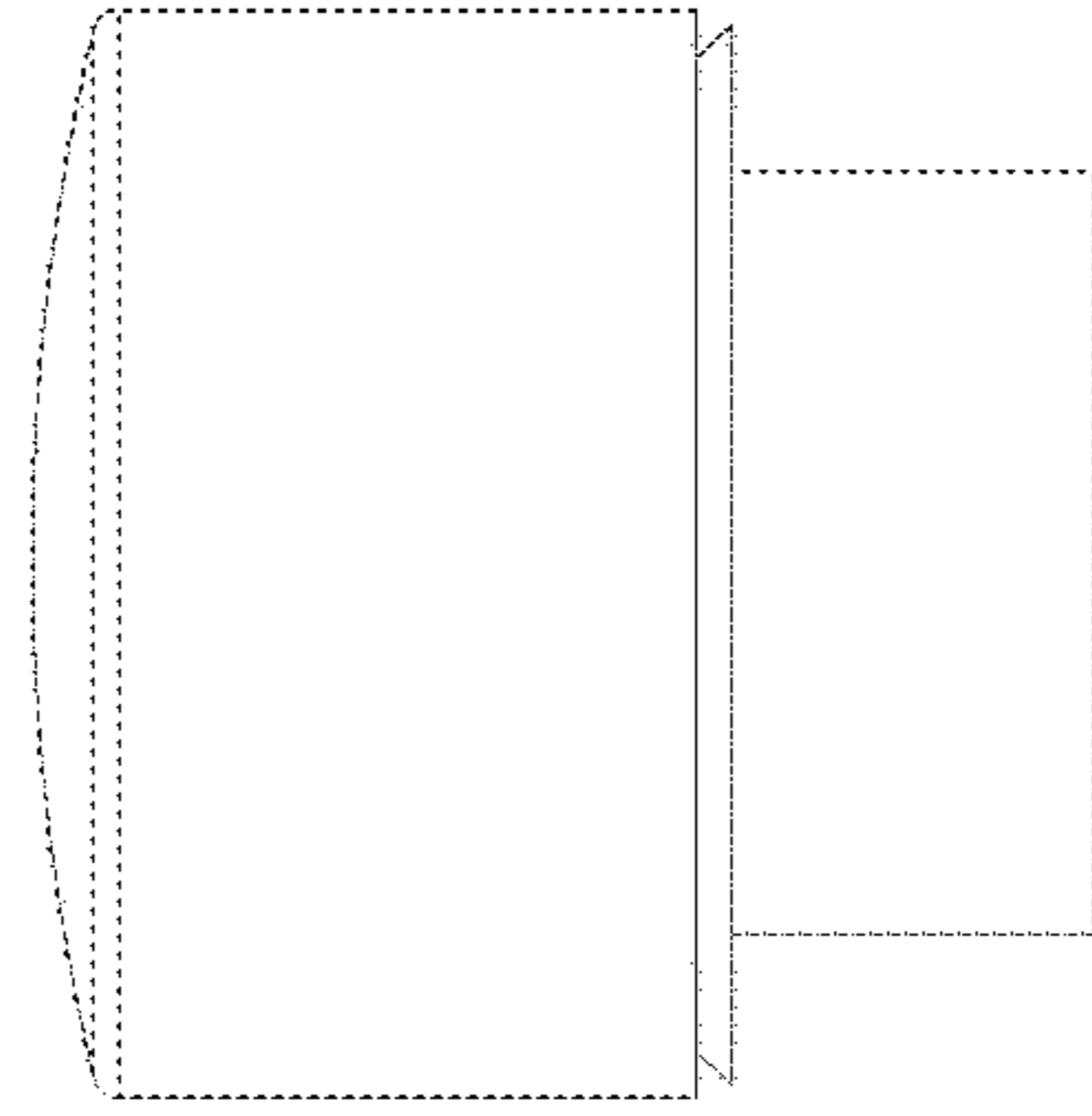


FIG. 8

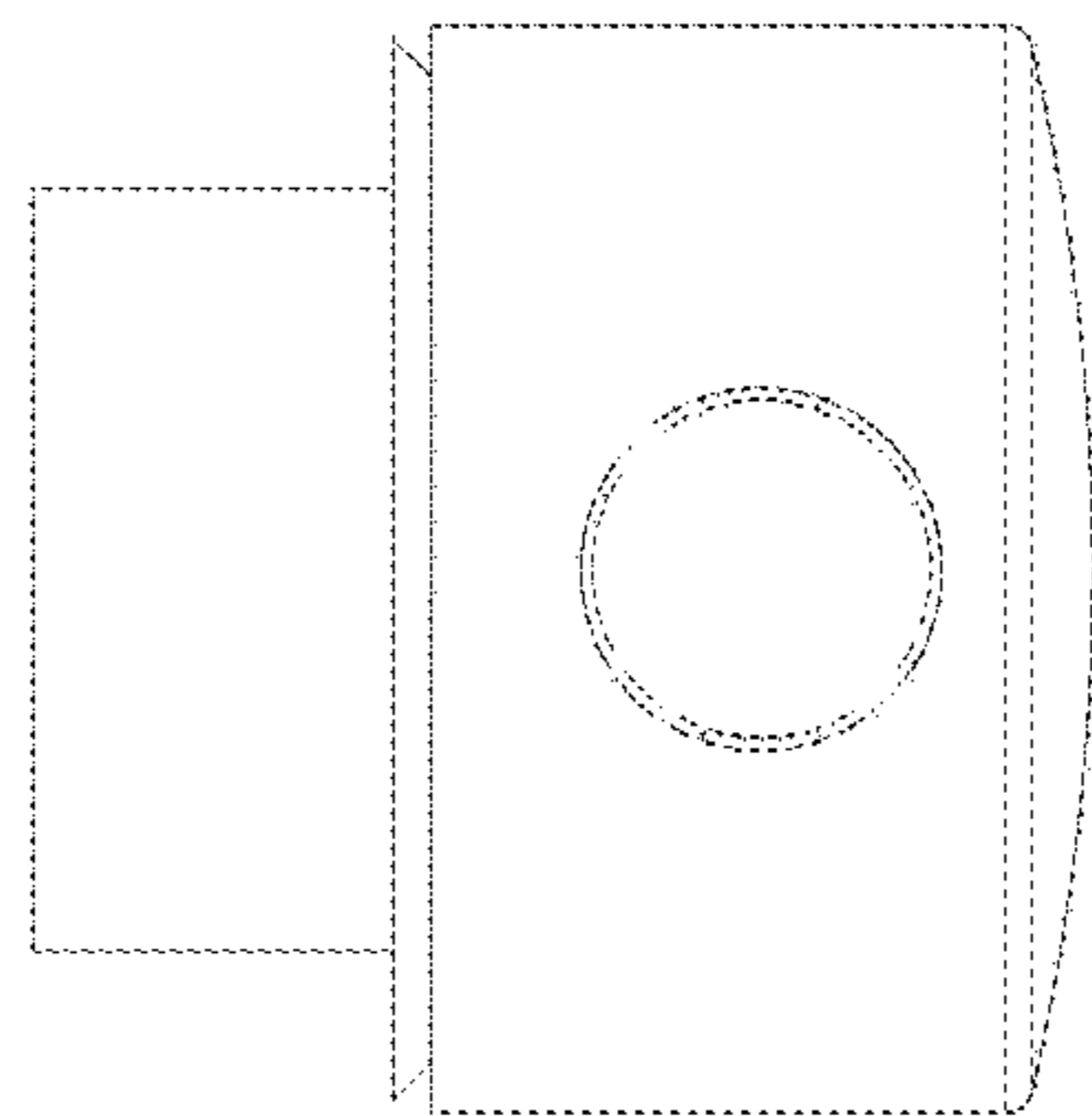


FIG. 7