



US00D954215S

(12) **United States Design Patent** (10) **Patent No.:** **US D954,215 S**
Eads (45) **Date of Patent:** **** Jun. 7, 2022**

- (54) **FAUCET HANDLE**
- (71) Applicant: **DELTA FAUCET COMPANY,**
Indianapolis, IN (US)
- (72) Inventor: **Thad Eads,** Urbana, IN (US)
- (73) Assignee: **DELTA FAUCET COMPANY,**
Indianapolis, IN (US)
- (**) Term: **15 Years**
- (21) Appl. No.: **29/732,457**
- (22) Filed: **Apr. 24, 2020**
- (51) **LOC (13) Cl.** **23-01**
- (52) **U.S. Cl.**
USPC **D23/252**
- (58) **Field of Classification Search**
USPC D23/238-243, 249, 250, 252, 254, 255,
D23/257, 245, 309; D8/300, 307, 308;
D7/394, 622, 395, 545, 398
CPC Y10T 137/9464; E03C 1/00; E03C 1/02;
E03C 1/04; E03C 1/0412; E03C 1/042;
E03C 1/044; E03C 1/048; E03C 1/05
See application file for complete search history.

D786,407 S *	5/2017	Clarke	D23/252
D803,990 S *	11/2017	Clarke	D23/252
D839,996 S *	2/2019	Garland	D23/252
D851,730 S *	6/2019	Garland	D23/250

FOREIGN PATENT DOCUMENTS

GB 2006291 * 4/1990

OTHER PUBLICATIONS

Amazon, Garden Lever Tap Valve with handle, posted Oct. 6, 2017, [online], [visited Jun. 30, 2021]. Internet, <URL: <https://www.amazon.co.uk/Garden-Lever-Handle-Outdoor-Thread/dp/B0768LD2W2/ref>> (Year: 2017).*

* cited by examiner

Primary Examiner — Samantha Wood

(74) *Attorney, Agent, or Firm* — Nirav D. Parikh; Edgar A. Zarins

(57) **CLAIM**

The ornamental design for a faucet handle, as shown and described.

DESCRIPTION

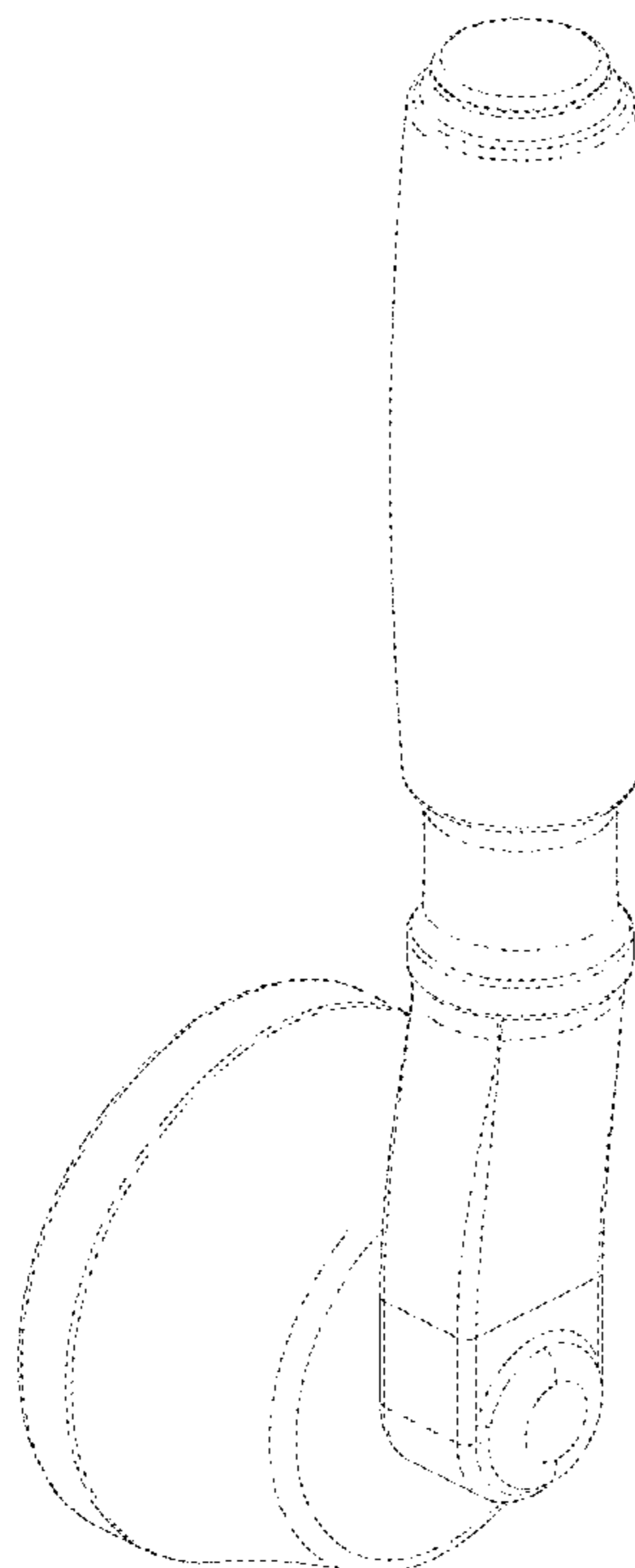
FIG. 1 is a front perspective view of a faucet handle showing my new design;
FIG. 2 is a rear perspective view thereof;
FIG. 3 is a front elevational view thereof;
FIG. 4 is a left side view thereof;
FIG. 5 is a rear elevational view thereof;
FIG. 6 is a right side view thereof;
FIG. 7 is a top plan view thereof; and,
FIG. 8 is a bottom plan view thereof.

1 Claim, 4 Drawing Sheets

(56) **References Cited**

U.S. PATENT DOCUMENTS

D287,164 S *	12/1986	Piesco	D23/252
D530,399 S *	10/2006	Blomstrom	D23/252
D532,486 S *	11/2006	Barry	D23/252
D651,692 S *	1/2012	Vanderheyden	D23/252
D718,842 S *	12/2014	Rexach	D23/252
D757,908 S *	5/2016	Fritz	D23/252



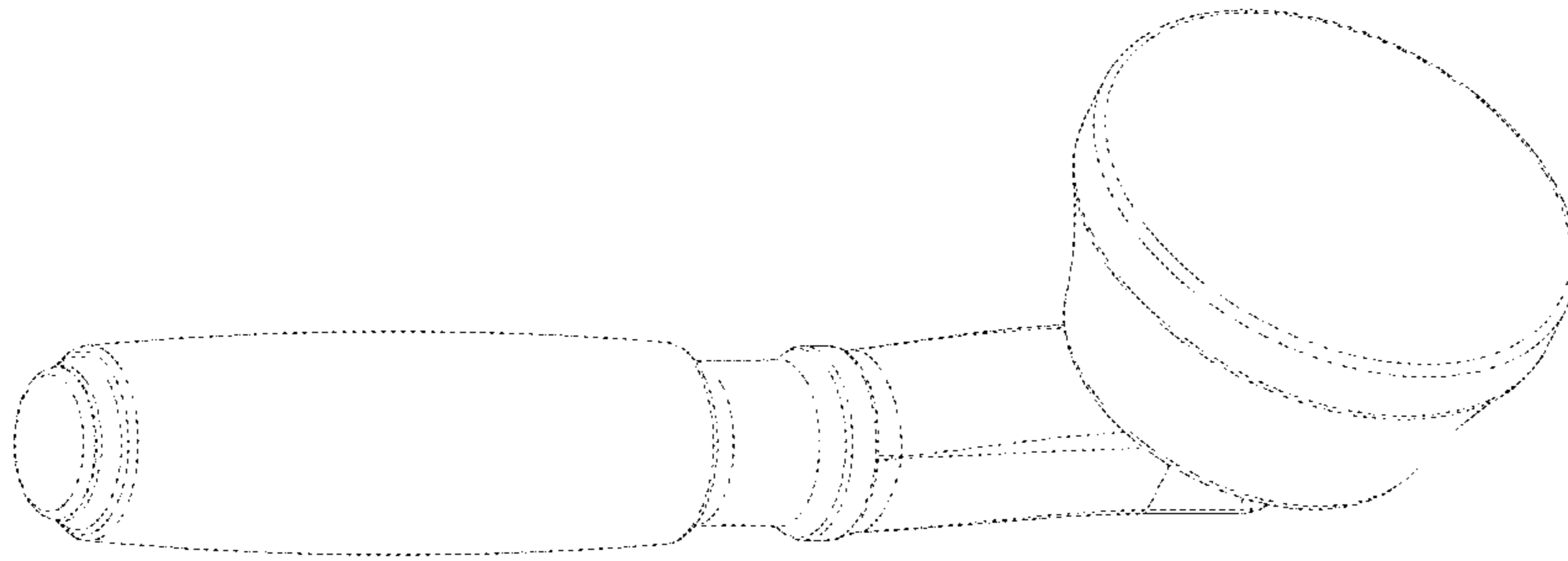


FIG - 2

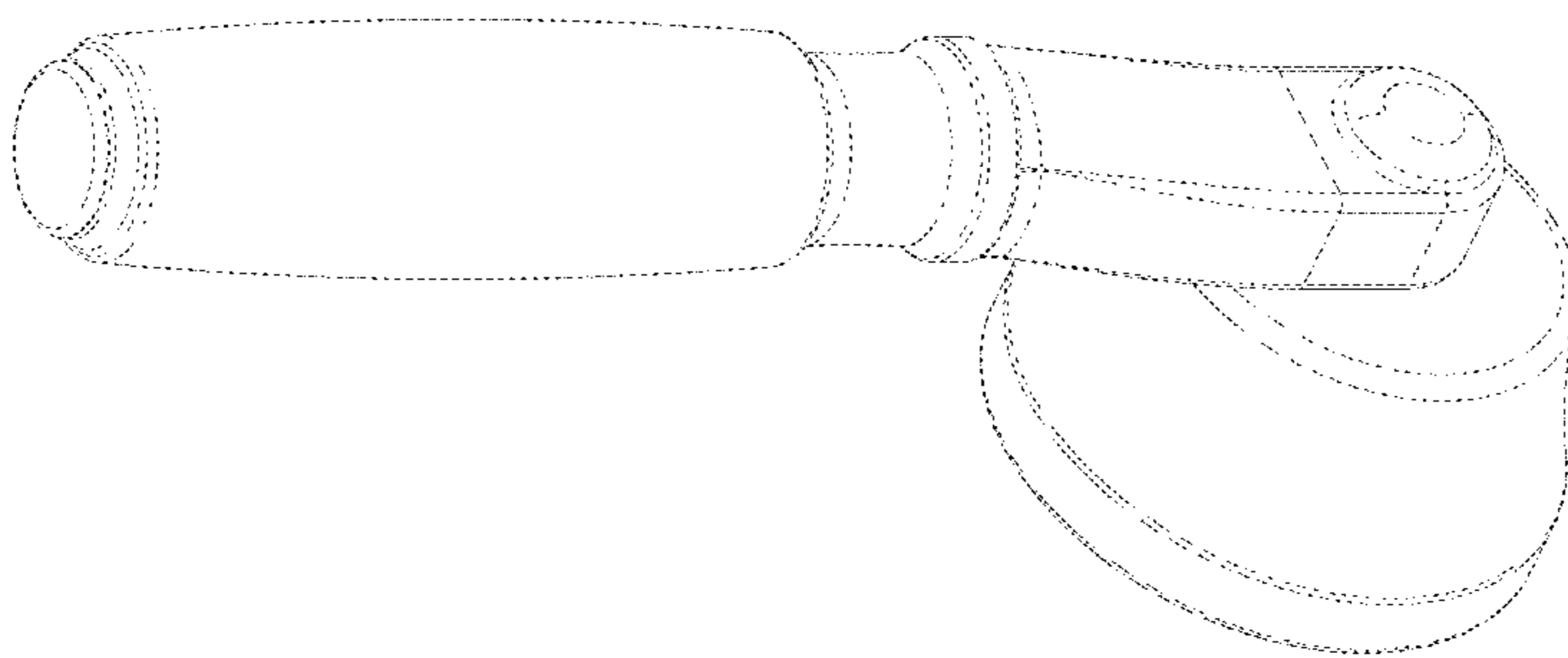


FIG - 1

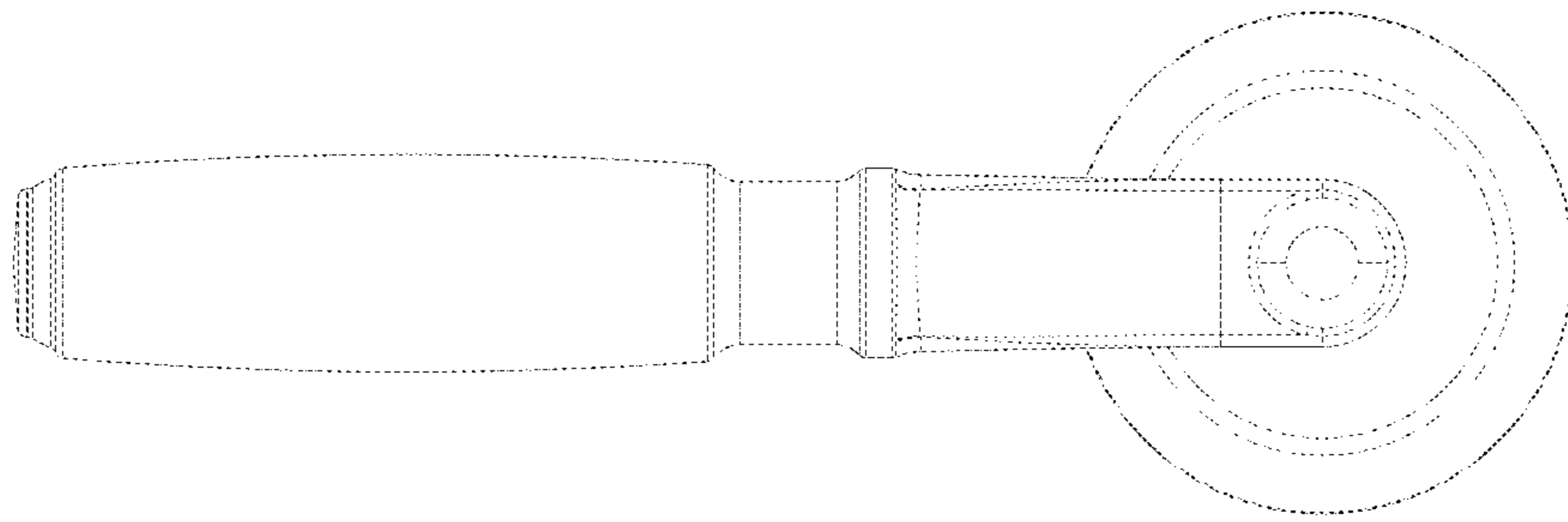


FIG - 4

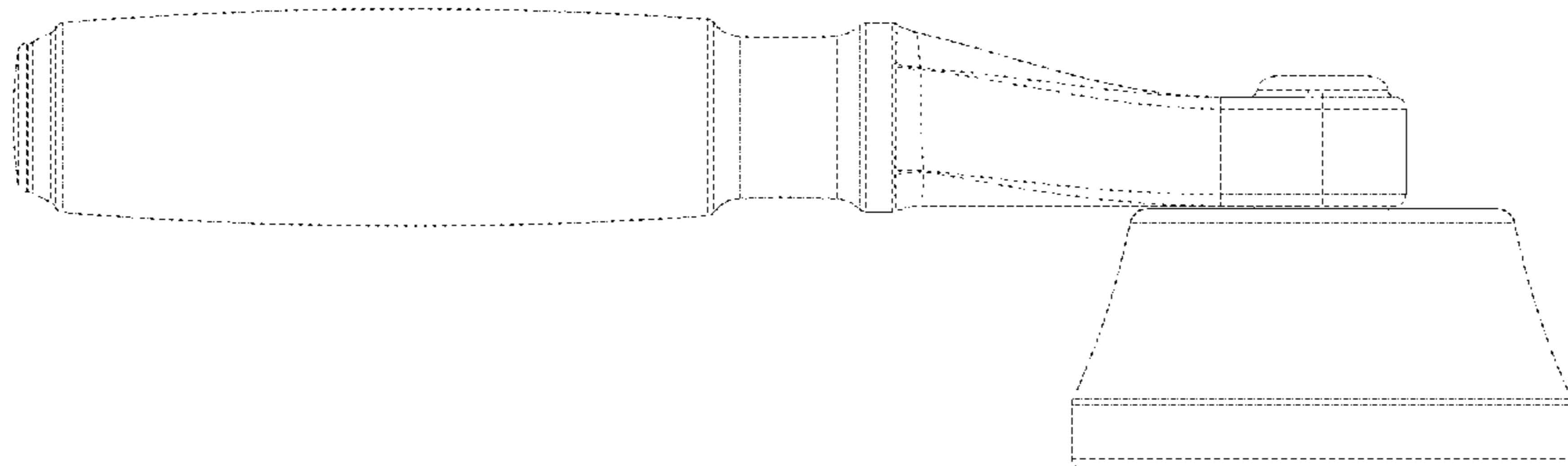


FIG - 3

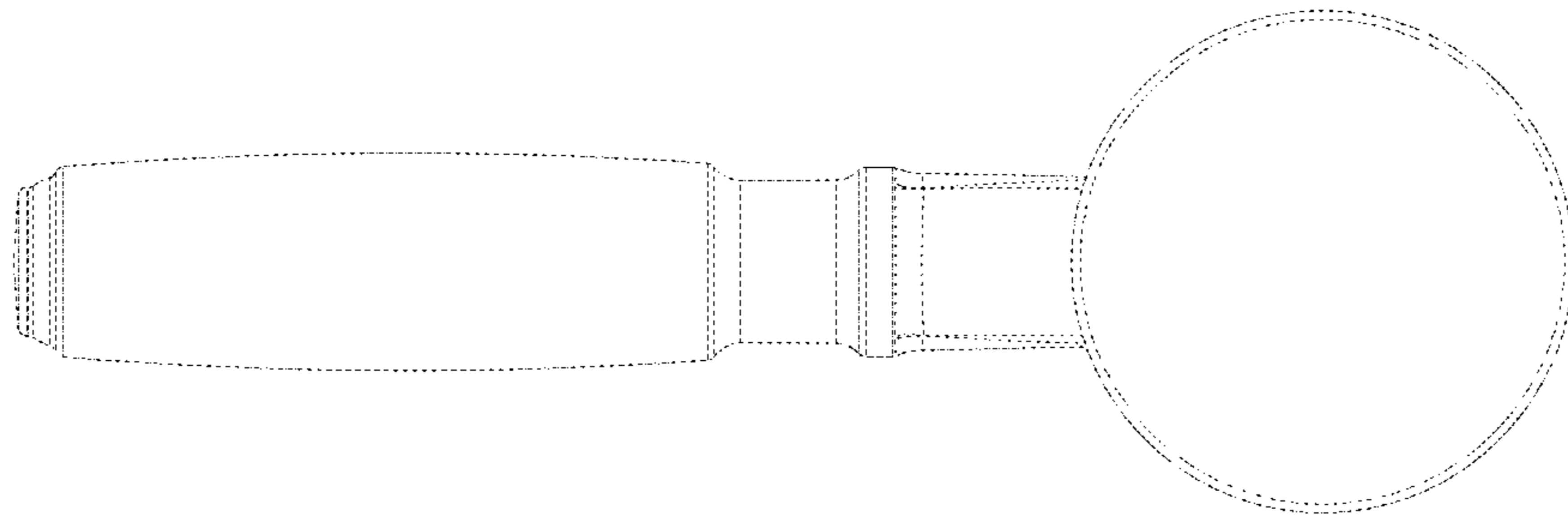


FIG - 6

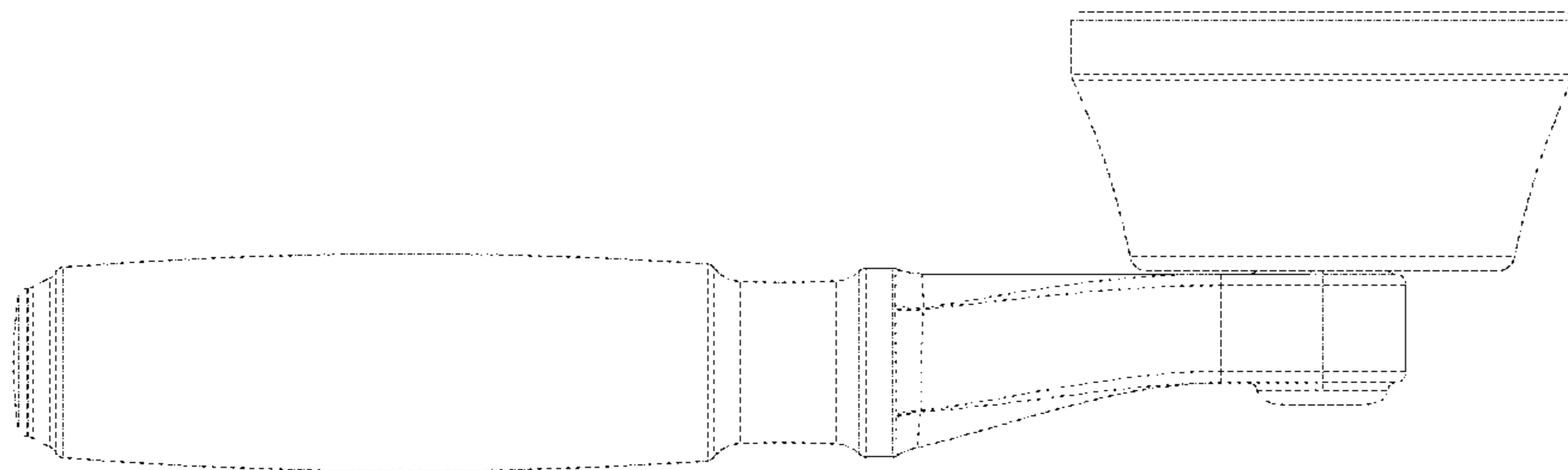


FIG - 5

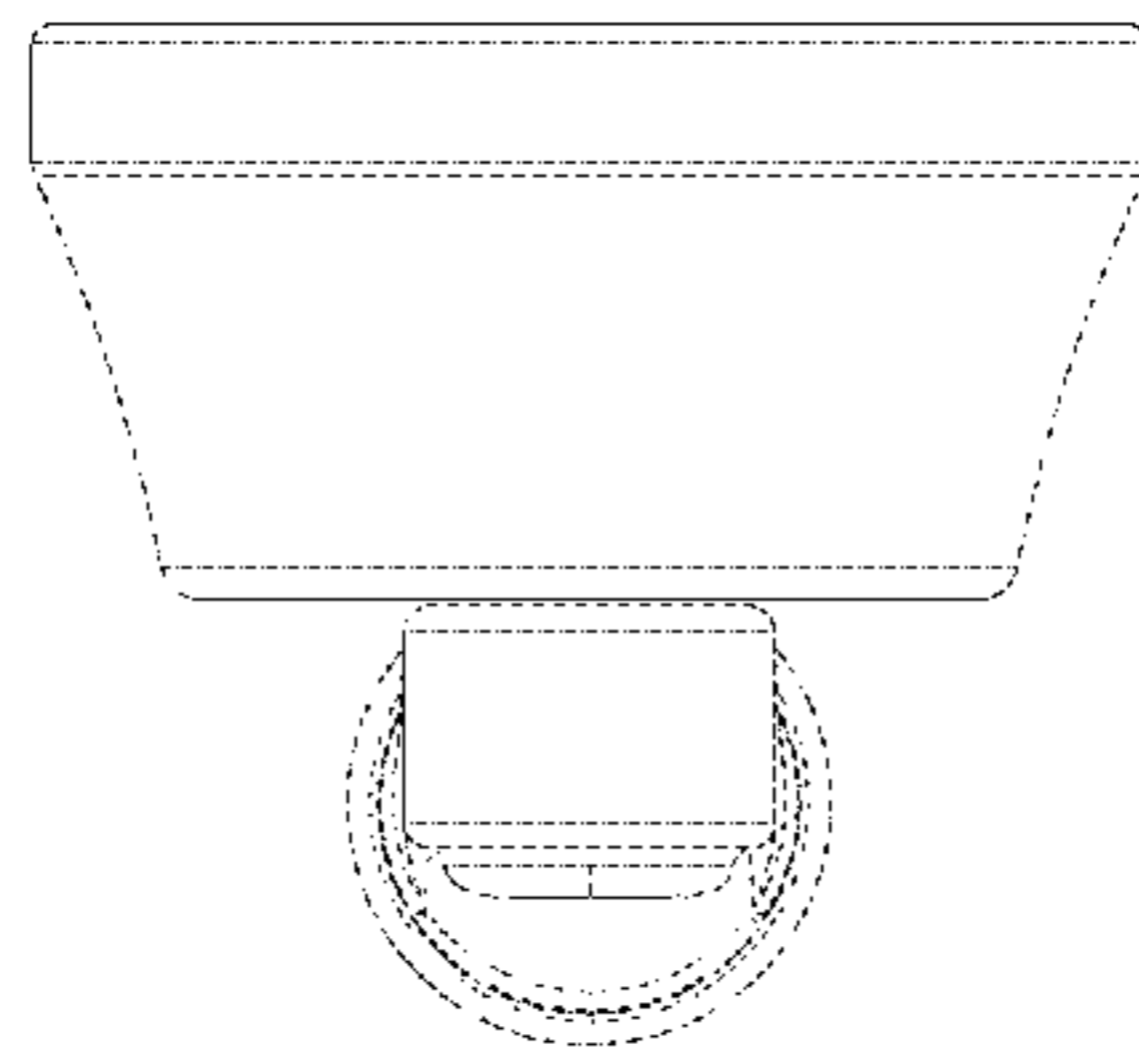


FIG. - 8

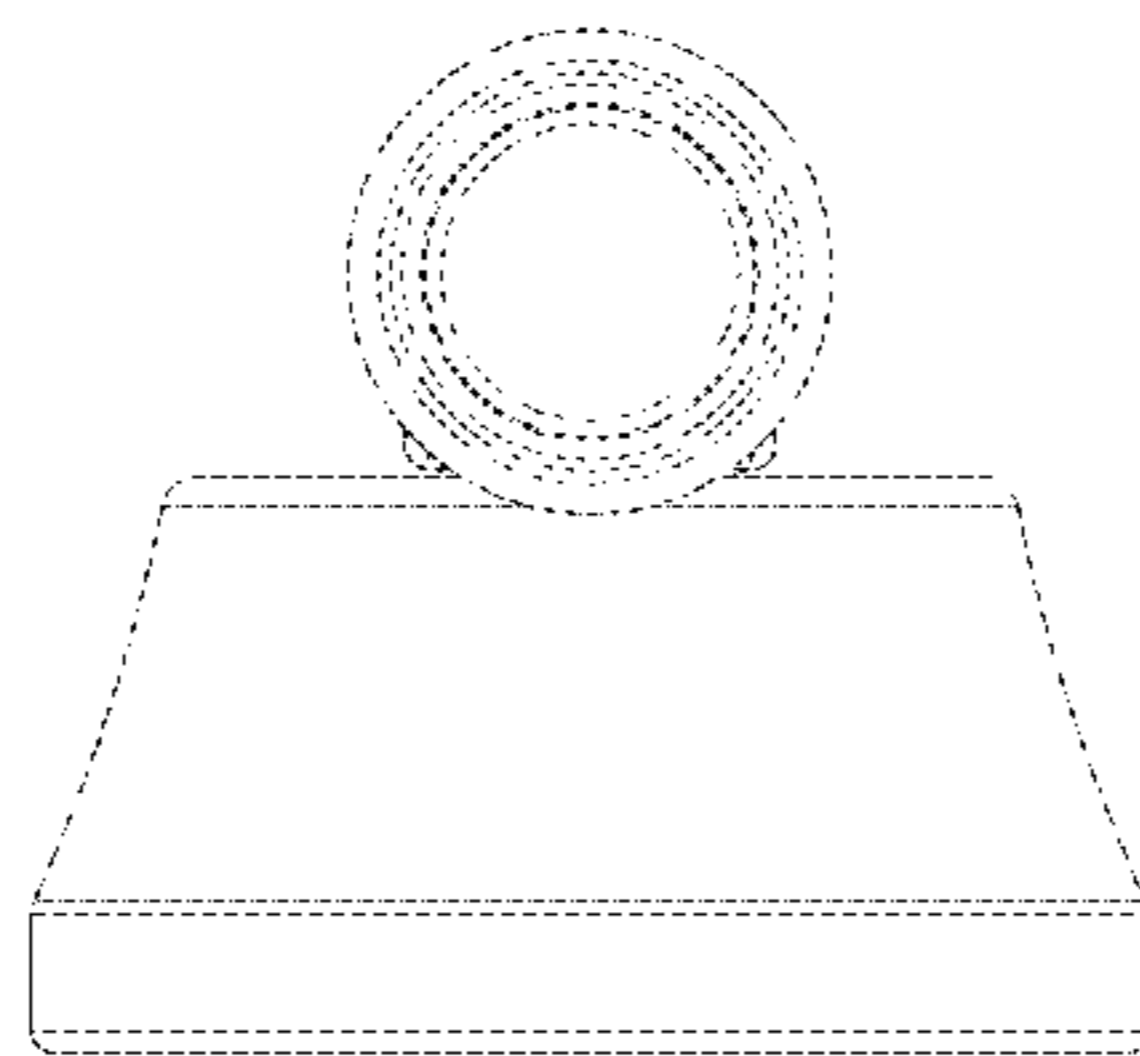


FIG. - 7