



US00D954214S

(12) **United States Design Patent**
Para

(10) **Patent No.:** **US D954,214 S**
(45) **Date of Patent:** **** Jun. 7, 2022**

(54) **FAUCET HANDLE**

(71) Applicant: **DELTA FAUCET COMPANY,**
Indianapolis, IN (US)

(72) Inventor: **Lauren Para,** Lisle, IL (US)

(73) Assignee: **DELTA FAUCET COMPANY,**
Indianapolis, IN (US)

(**) Term: **15 Years**

(21) Appl. No.: **29/732,319**

(22) Filed: **Apr. 23, 2020**

(51) **LOC (13) Cl.** **23-01**

(52) **U.S. Cl.**
USPC **D23/252**

(58) **Field of Classification Search**
USPC D23/238–243, 249, 250, 252, 254, 255,
D23/257, 245, 309; D8/300, 307, 308;
D7/394, 622, 395, 398
CPC Y10T 137/9464; E03C 1/00; E03C 1/02;
E03C 1/04; E03C 1/0412; E03C 1/042;
E03C 1/044; E03C 1/048; E03C 1/05
See application file for complete search history.

(56) **References Cited**

U.S. PATENT DOCUMENTS

D306,336	S	*	2/1990	Oberdorfer	D23/252
D323,022	S	*	1/1992	Ragonot	D23/252
D348,307	S	*	6/1994	Gottwald	D23/252
D648,830	S	*	11/2011	Corbett	D23/252
D682,992	S	*	5/2013	Obara	D23/242
D713,013	S	*	9/2014	Schoenherr	D23/252
D825,036	S	*	8/2018	Merki	D23/252
D833,580	S	*	11/2018	Niu	D23/252
D862,657	S	*	10/2019	Bahler	D23/252
2008/0276367	A1	*	11/2008	Bares	E03C 1/0412
						4/677

FOREIGN PATENT DOCUMENTS

TR DM-093978 * 11/2016

OTHER PUBLICATIONS

Architonic, KWC Luna Lever mixer | Pull-out spray with KWC Jetclean by KWC, launched 2007, [online], [visited Aug. 13, 2021]. Internet, <URL: <https://www.architonic.com/en/product/kwc-kwc-luna-lever-mixer-pull-out-spray-with-kwc-jetclean/1274708>> (Year: 2007).*

Amazon, Amazing Force Black Bathroom Faucet single hole, posted Dec. 26, 2019, [online], [visited Aug. 13, 2021]. Internet, <URL: <https://www.amazon.com/AMAZING-FORCE-Bathroom-Faucet-Included/dp/B08NCLRYGP/ref>> (Year: 2019).*

* cited by examiner

Primary Examiner — Samantha Wood

(74) *Attorney, Agent, or Firm* — Nirav D. Parikh; Edgar A. Zarins

(57) **CLAIM**

The ornamental design for a faucet handle, as shown and described.

DESCRIPTION

FIG. 1 is a front perspective view of a faucet handle showing my new design;

FIG. 2 is a rear perspective view thereof;

FIG. 3 is a front elevational view thereof;

FIG. 4 is a left side view thereof;

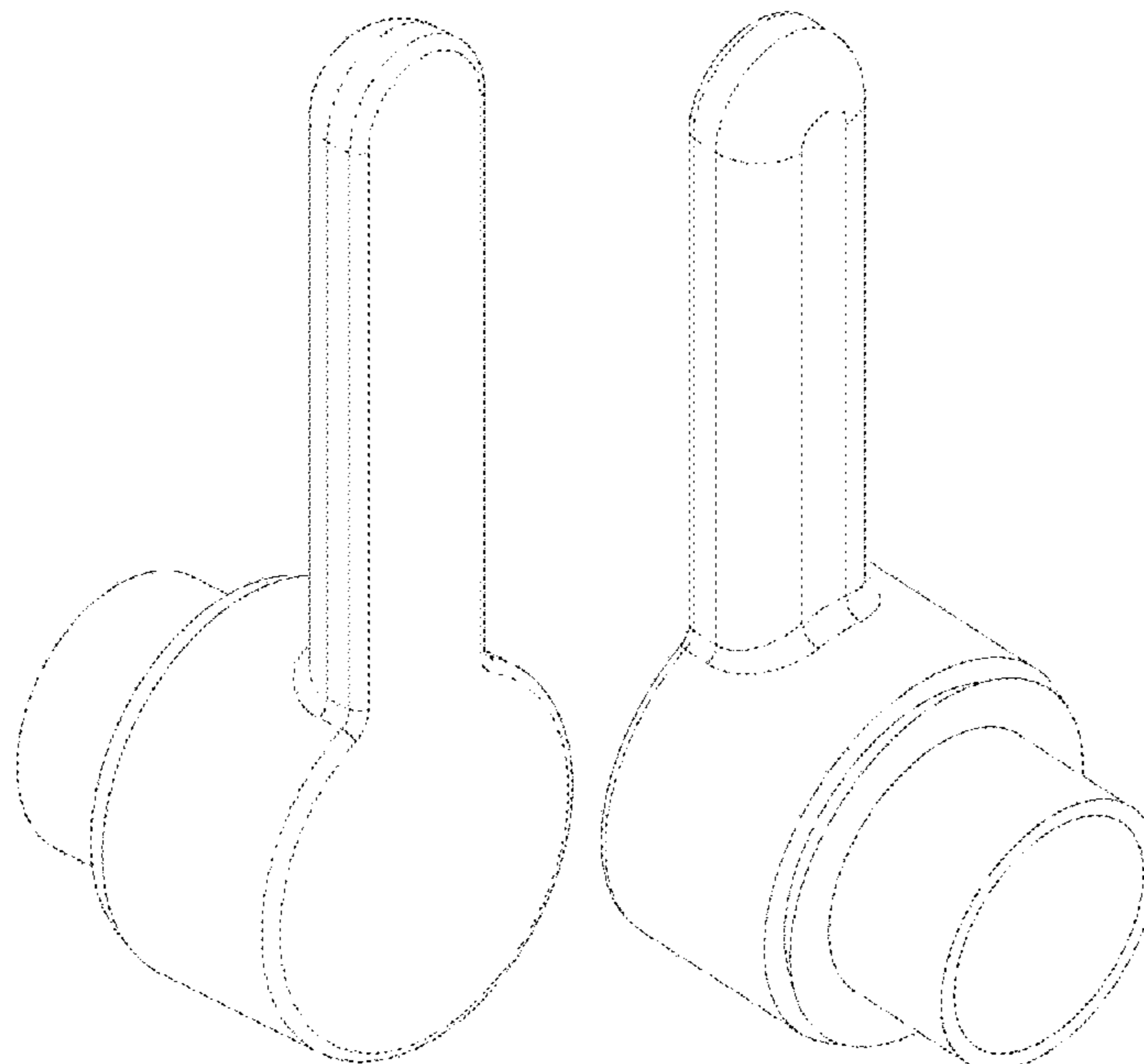
FIG. 5 is a rear view thereof;

FIG. 6 is a right side view thereof;

FIG. 7 is a top plan view thereof; and,

FIG. 8 is a bottom view thereof.

1 Claim, 4 Drawing Sheets



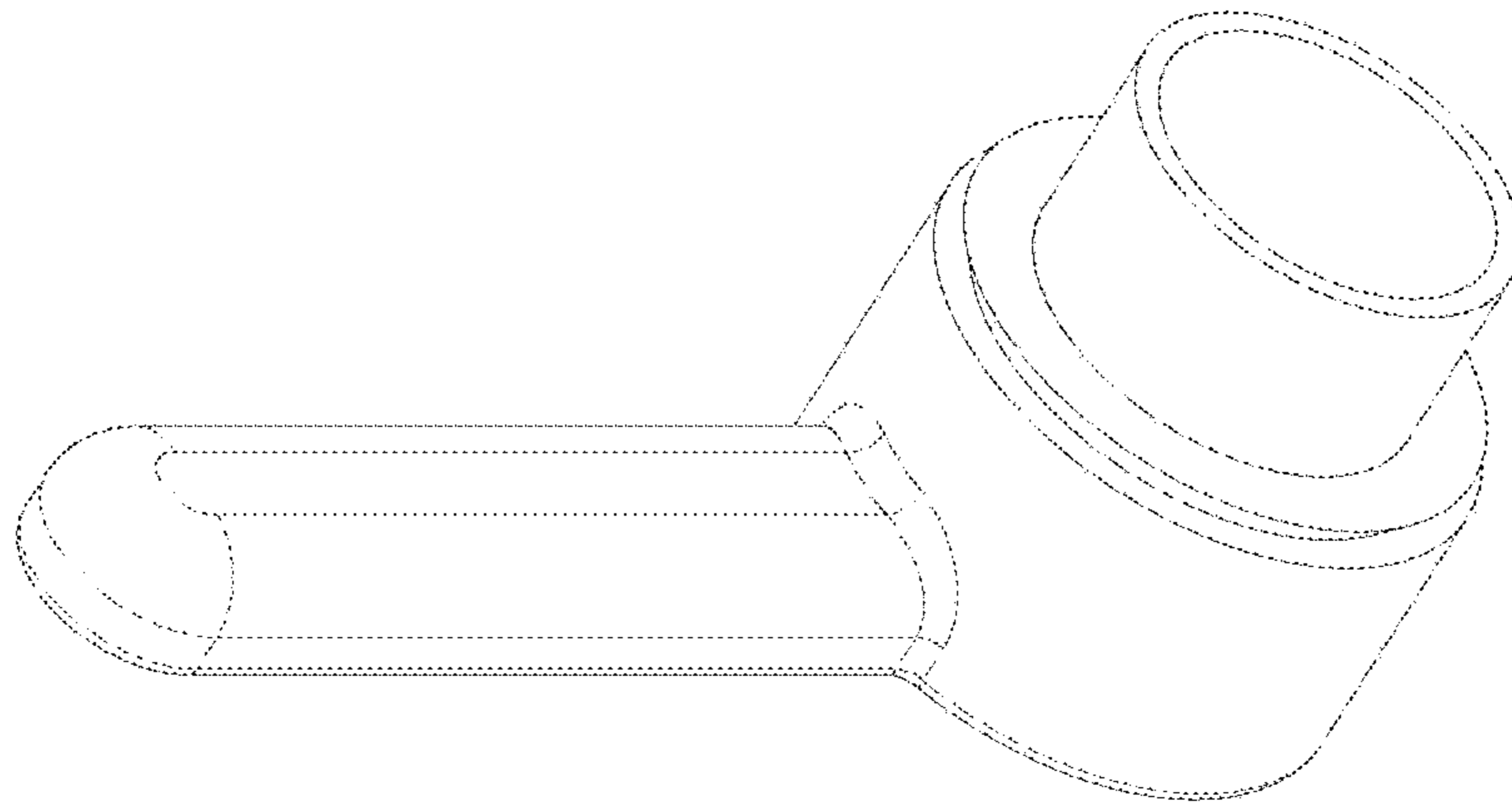


FIG - 2

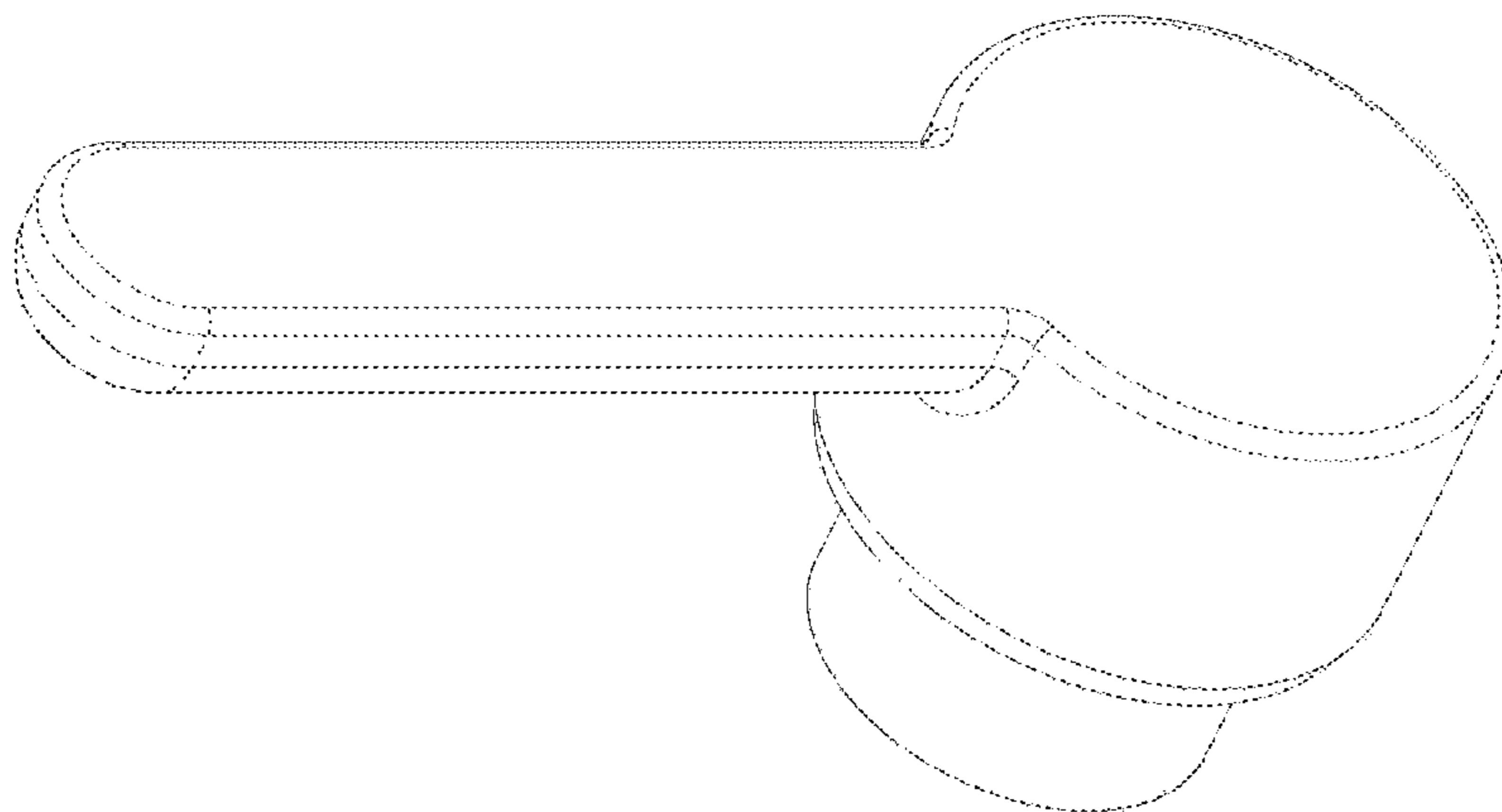


FIG - 1

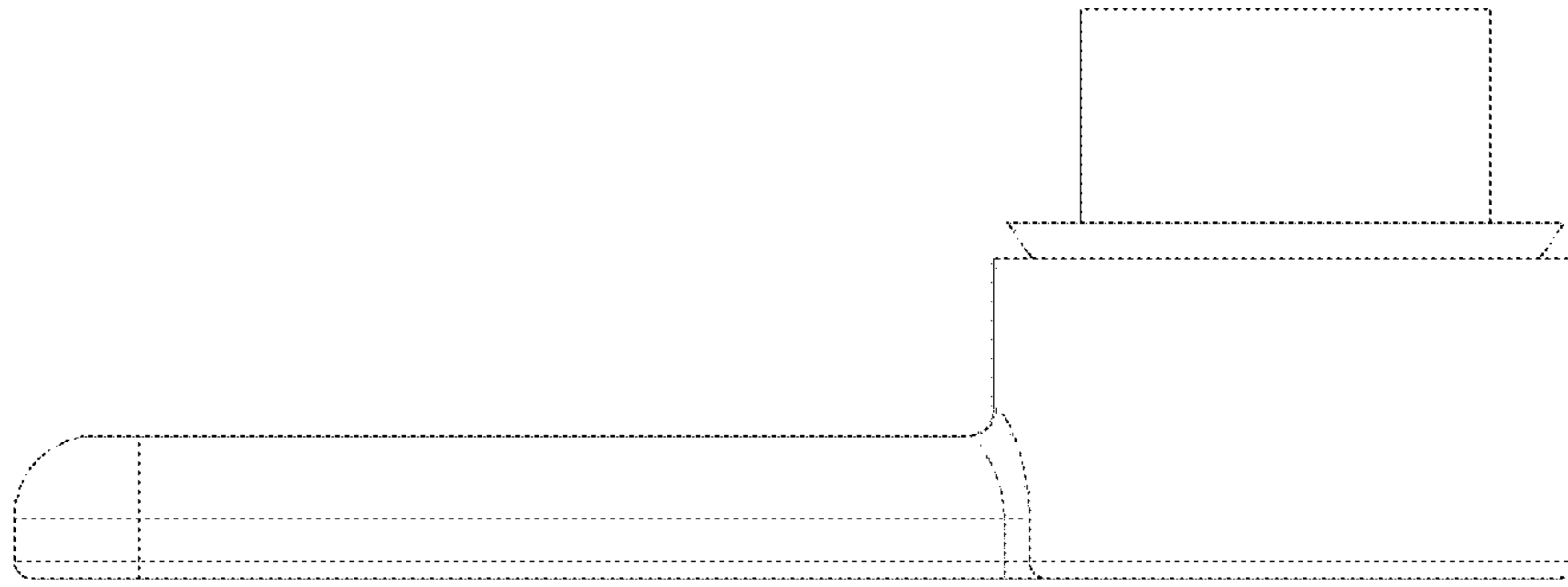


FIG - 4

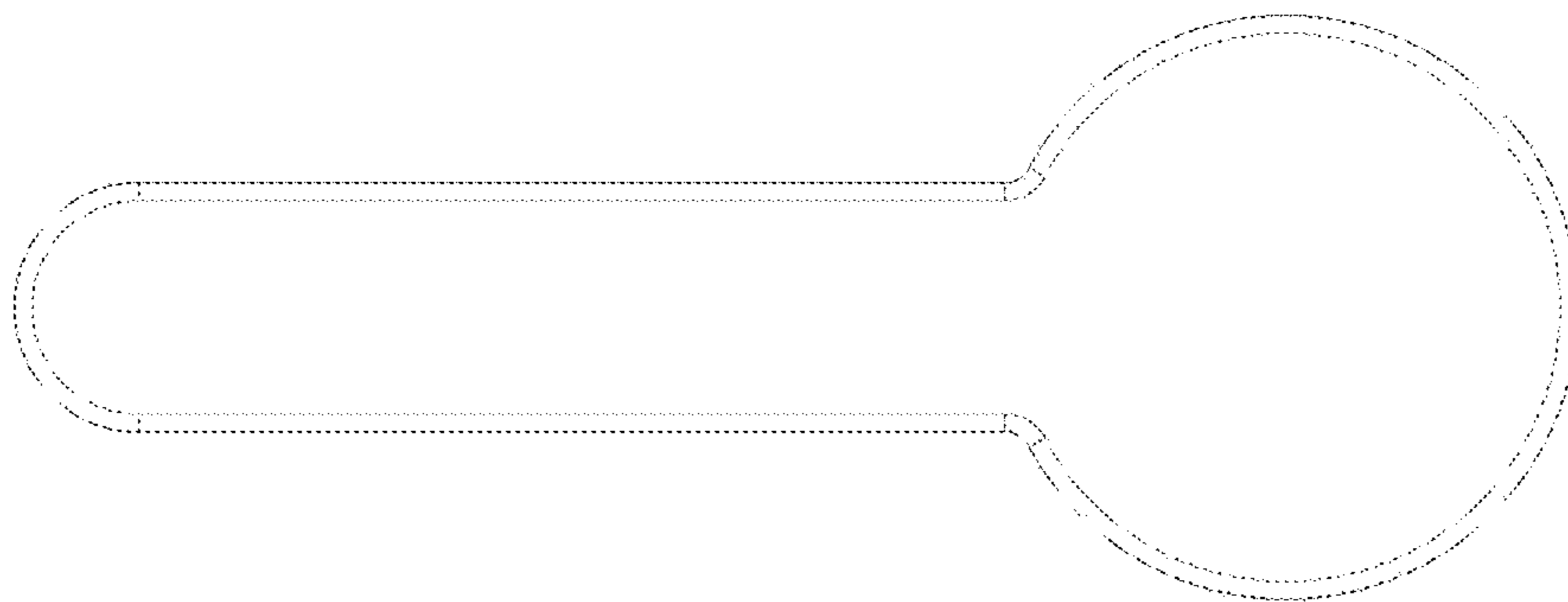


FIG - 3

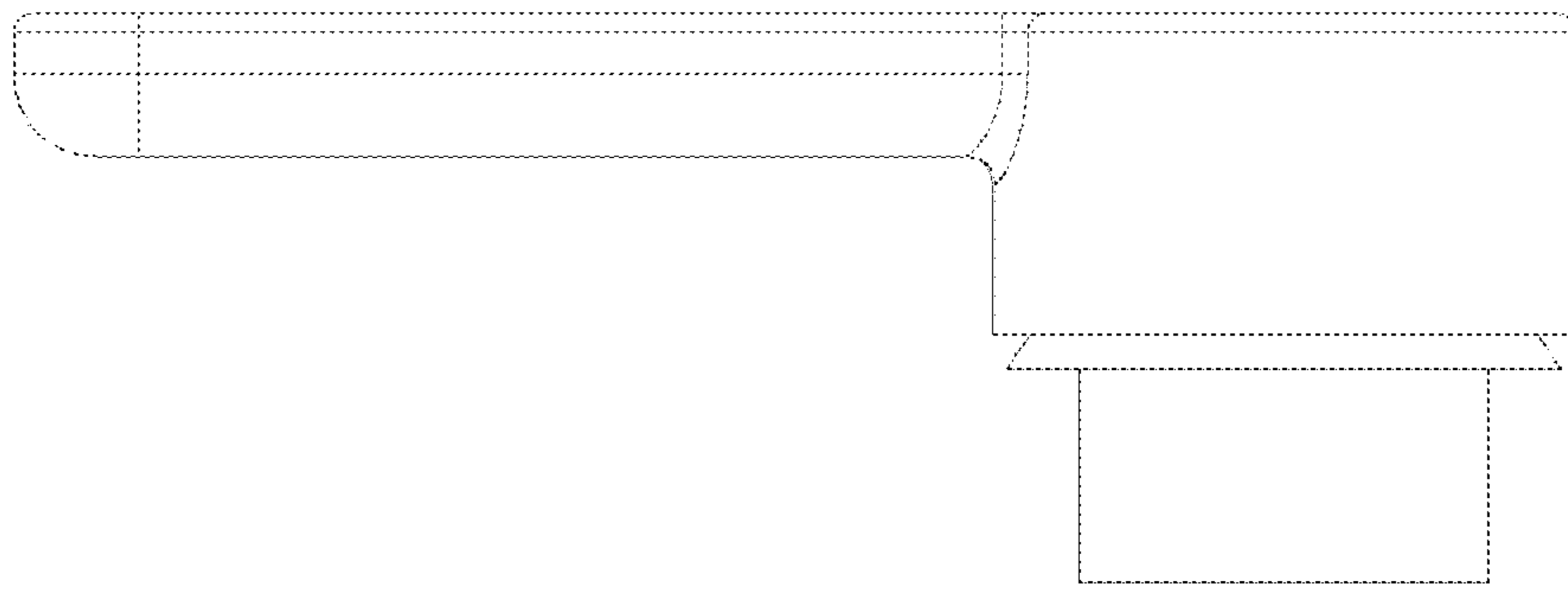


FIG. - 6

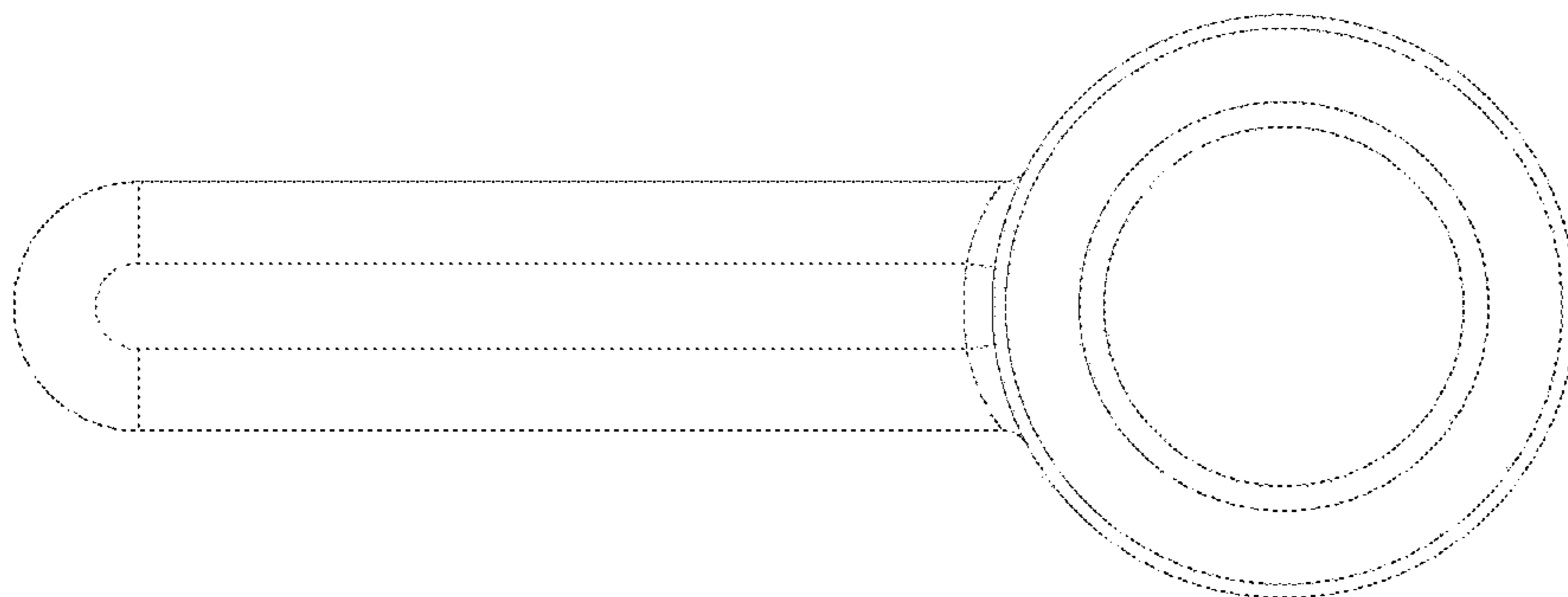


FIG. - 5

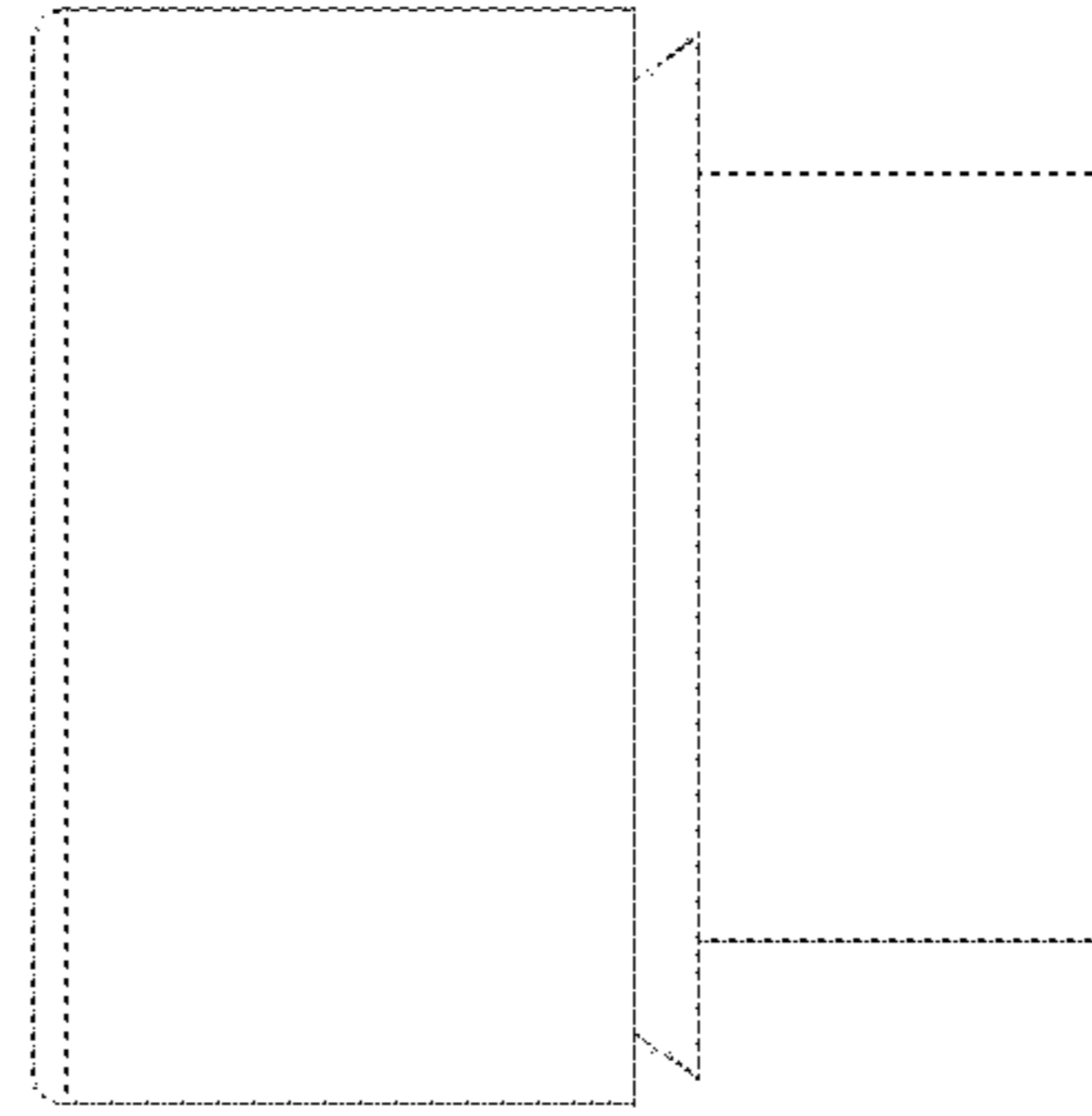


FIG. - 8

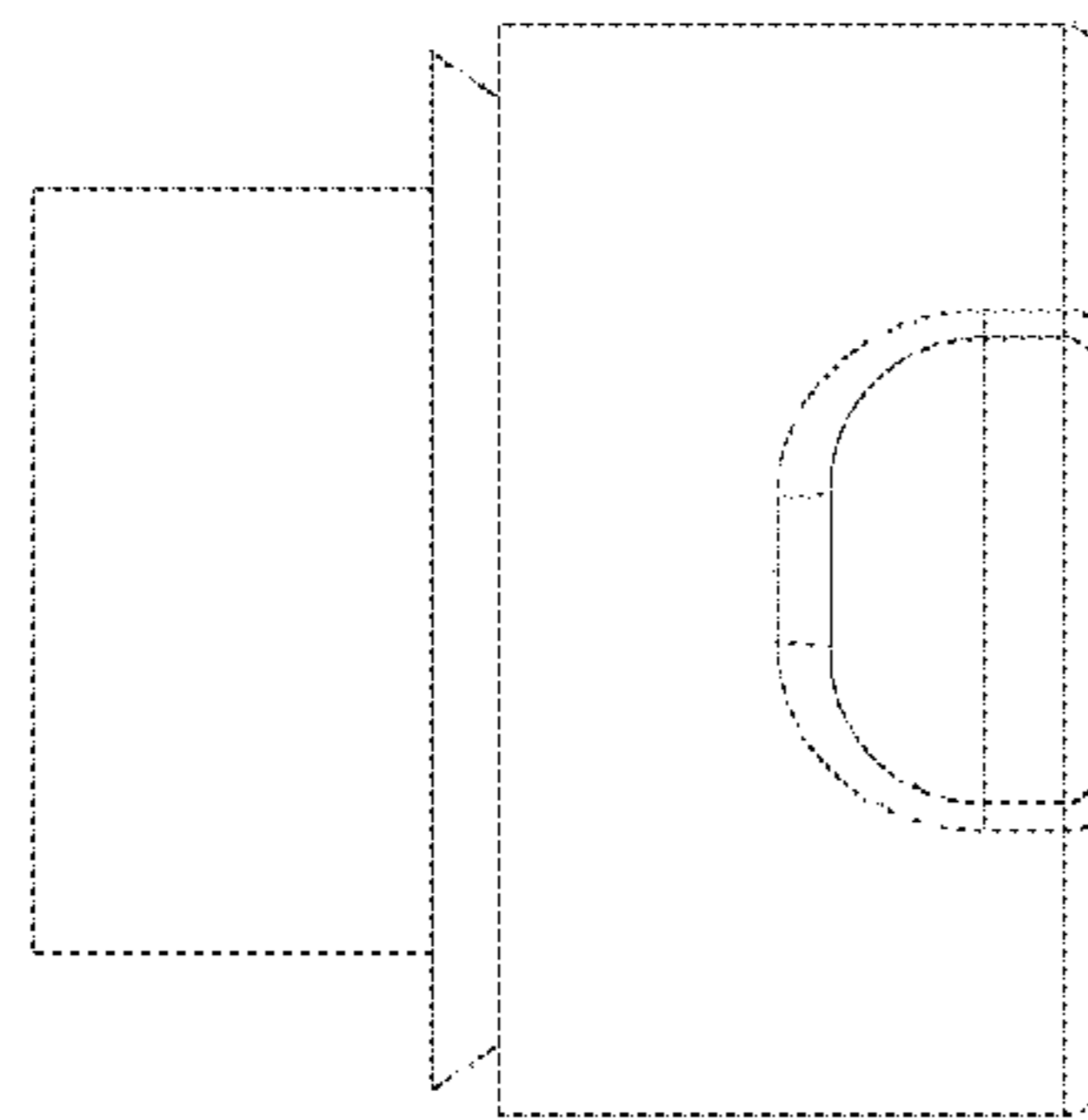


FIG. - 7