



US00D954210S

(12) **United States Design Patent**  
**Liao**

(10) **Patent No.:** **US D954,210 S**

(45) **Date of Patent:** **\*\* Jun. 7, 2022**

(54) **FAUCET BODY**

(71) Applicant: **DELTA FAUCET COMPANY,**  
Indianapolis, IN (US)

(72) Inventor: **Song Qing Liao,** Guangzhou (CN)

(73) Assignee: **DELTA FAUCET COMPANY,**  
Indianapolis, IN (US)

(\*\*) Term: **15 Years**

(21) Appl. No.: **29/760,383**

(22) Filed: **Dec. 1, 2020**

(51) **LOC (13) Cl.** ..... **23-01**

(52) **U.S. Cl.**  
USPC ..... **D23/249**

(58) **Field of Classification Search**  
USPC ..... D23/238, 239, 240, 241, 242, 243, 244,  
D23/245, 246, 247, 248, 249, 250, 251,  
D23/252, 253, 254, 255, 256, 257, 259  
CPC ..... Y10T 137/9464; E03C 1/00; E03C 1/02;  
E03C 1/04; E03C 1/042; E03C 1/044;  
E03C 1/0402; E03C 1/0403; E03C  
1/0405; E03C 1/0412  
See application file for complete search history.

(56) **References Cited**

**U.S. PATENT DOCUMENTS**

D463,535 S \* 9/2002 Singtoroj ..... D23/255  
D535,724 S \* 1/2007 Zhou ..... D23/238

D574,064 S \* 7/2008 Hanna ..... D23/257  
D718,424 S \* 11/2014 Smith ..... D23/255  
D720,834 S \* 1/2015 Sedwick ..... D23/255  
D825,031 S \* 8/2018 Haug ..... D23/238  
D829,865 S \* 10/2018 Georgeson ..... D23/238  
D895,068 S \* 9/2020 Johnson ..... D23/238  
D896,348 S \* 9/2020 Zhang ..... D23/238  
2020/0157787 A1 \* 5/2020 Benstead ..... E03C 1/0402

**FOREIGN PATENT DOCUMENTS**

CN 201930380301.5 \* 7/2019

\* cited by examiner

*Primary Examiner* — Samantha Wood

(74) *Attorney, Agent, or Firm* — Nirav D. Parikh; Edgar  
A. Zarins

(57) **CLAIM**

The ornamental design for a faucet body, as shown and  
described.

**DESCRIPTION**

FIG. 1 is a front perspective view of a faucet body showing  
my new design;

FIG. 2 is a rear perspective view thereof;

FIG. 3 is a front elevational view thereof;

FIG. 4 is a left side view thereof;

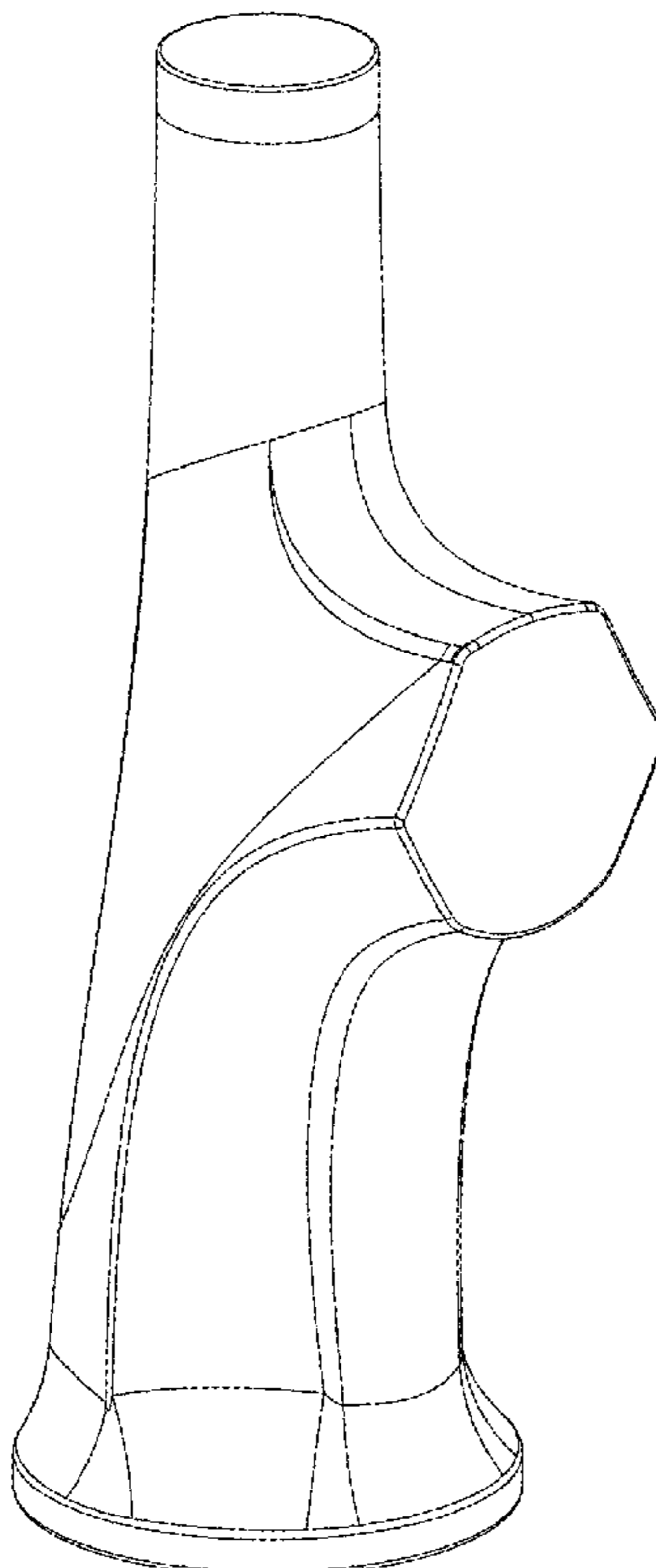
FIG. 5 is a rear view thereof;

FIG. 6 is a right side view thereof;

FIG. 7 is a top plan view thereof; and,

FIG. 8 is a bottom view thereof.

**1 Claim, 4 Drawing Sheets**



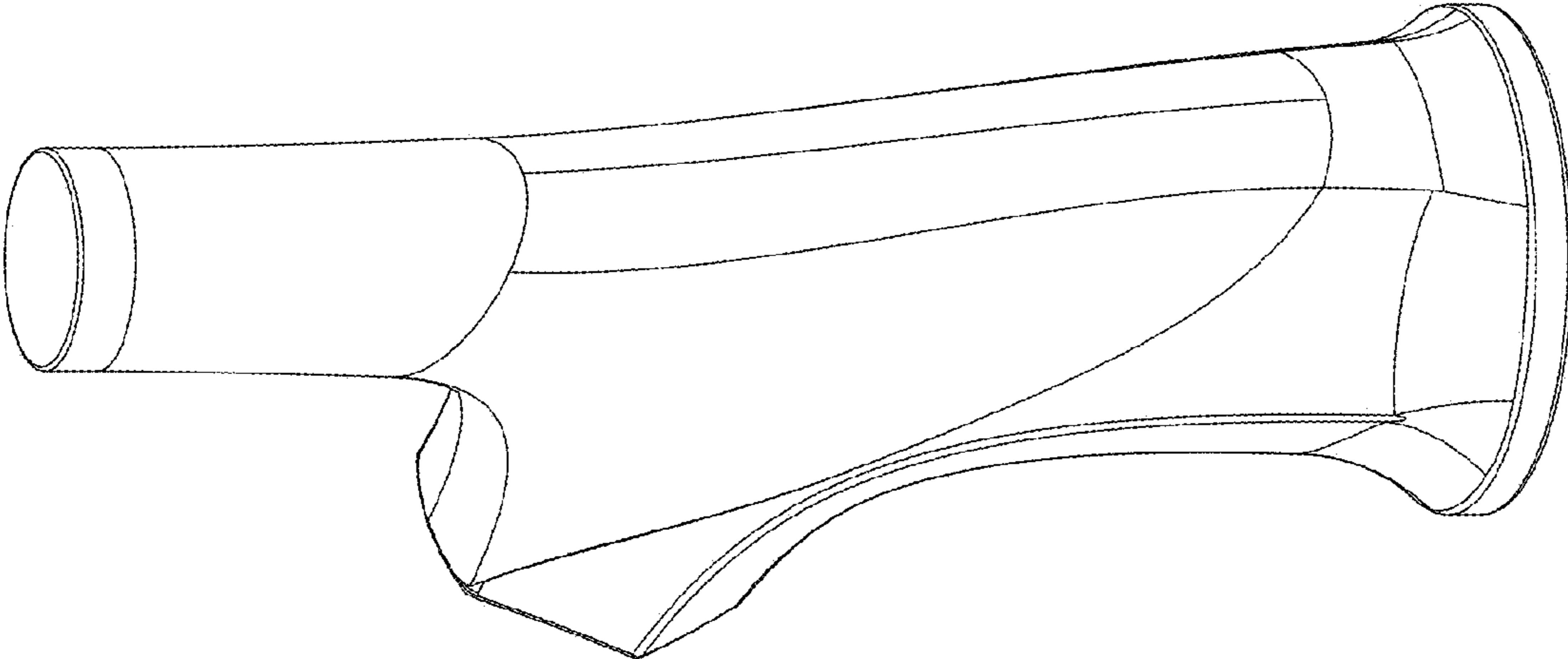


FIG - 2

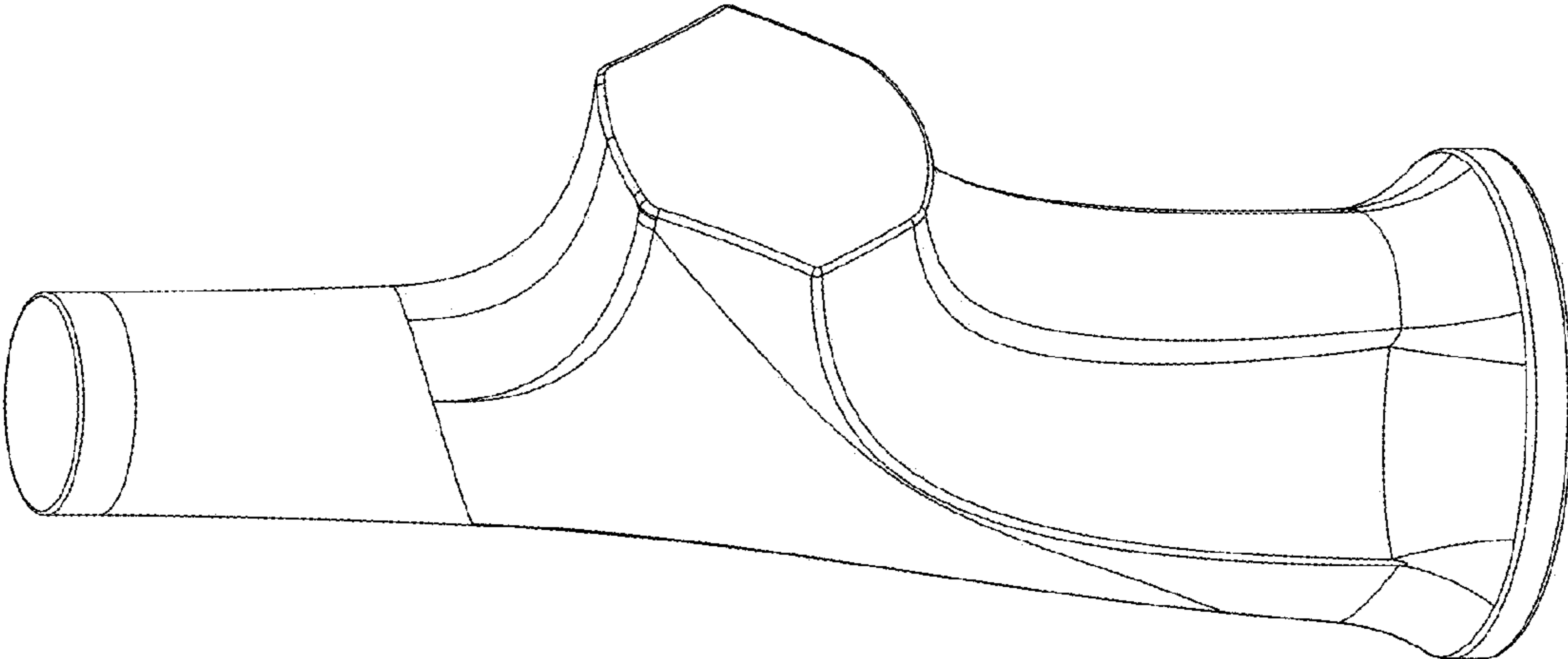


FIG - 1

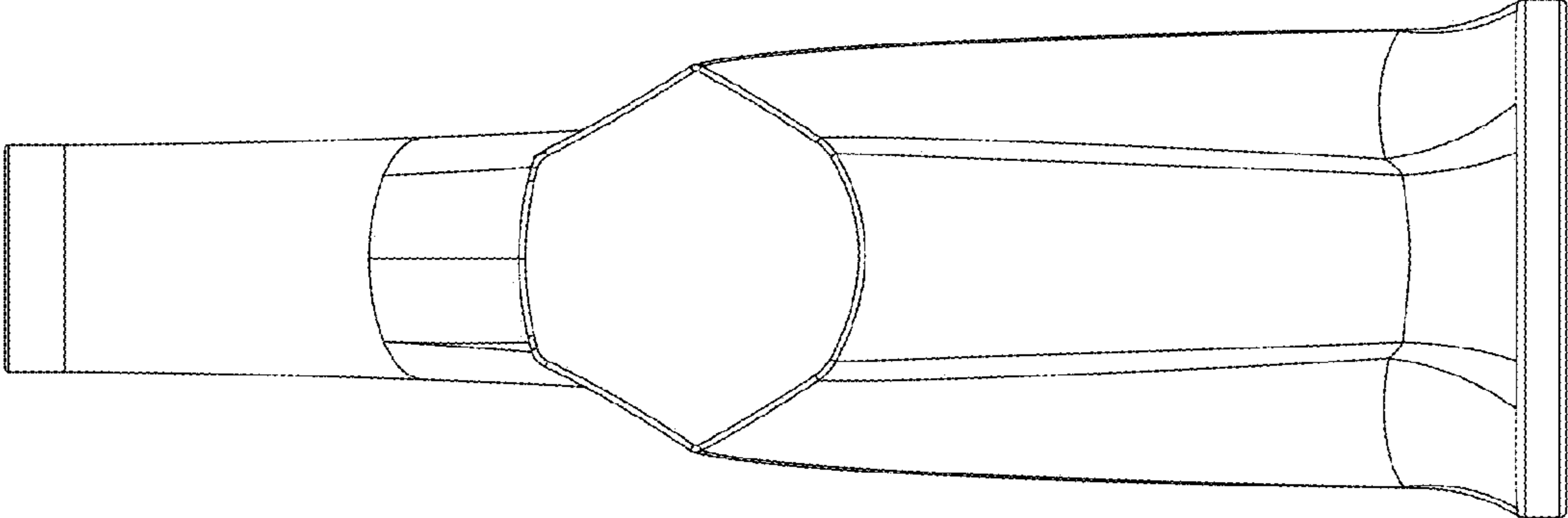


FIG - 4

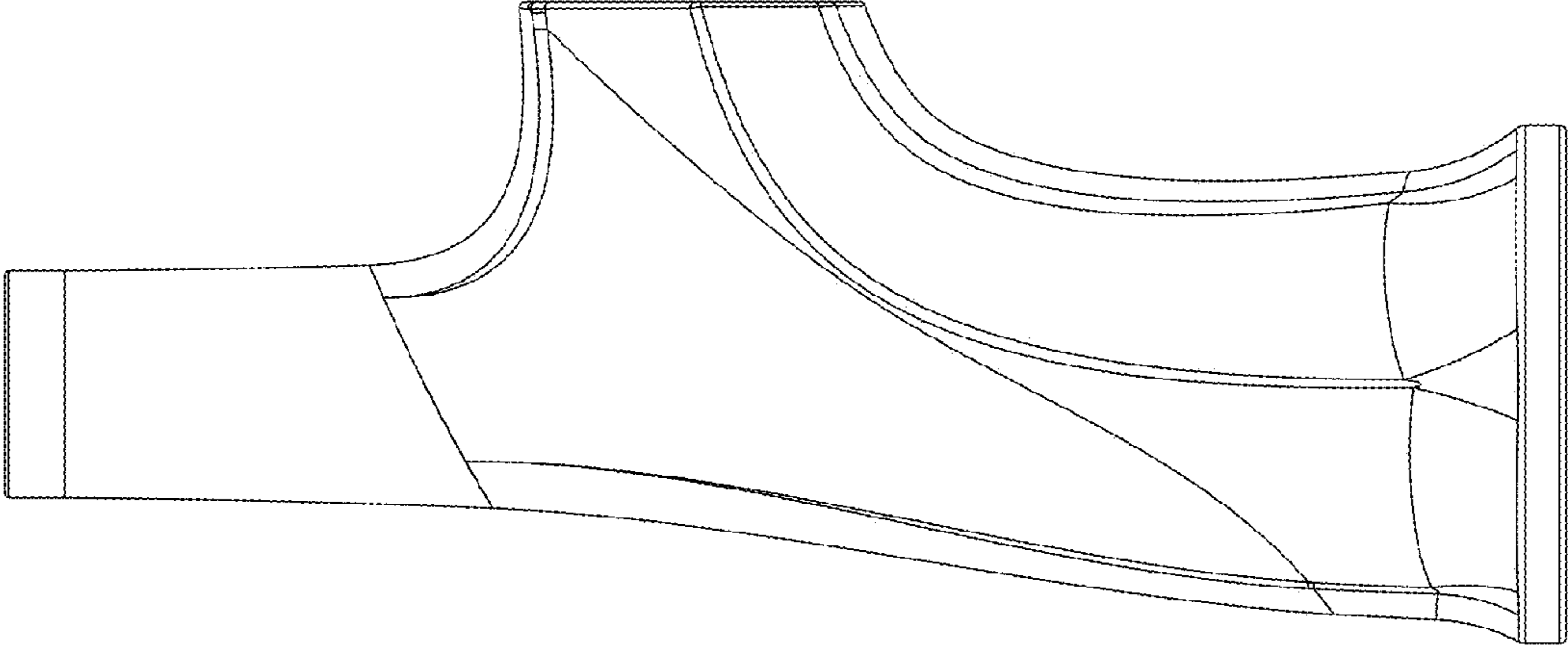


FIG - 3

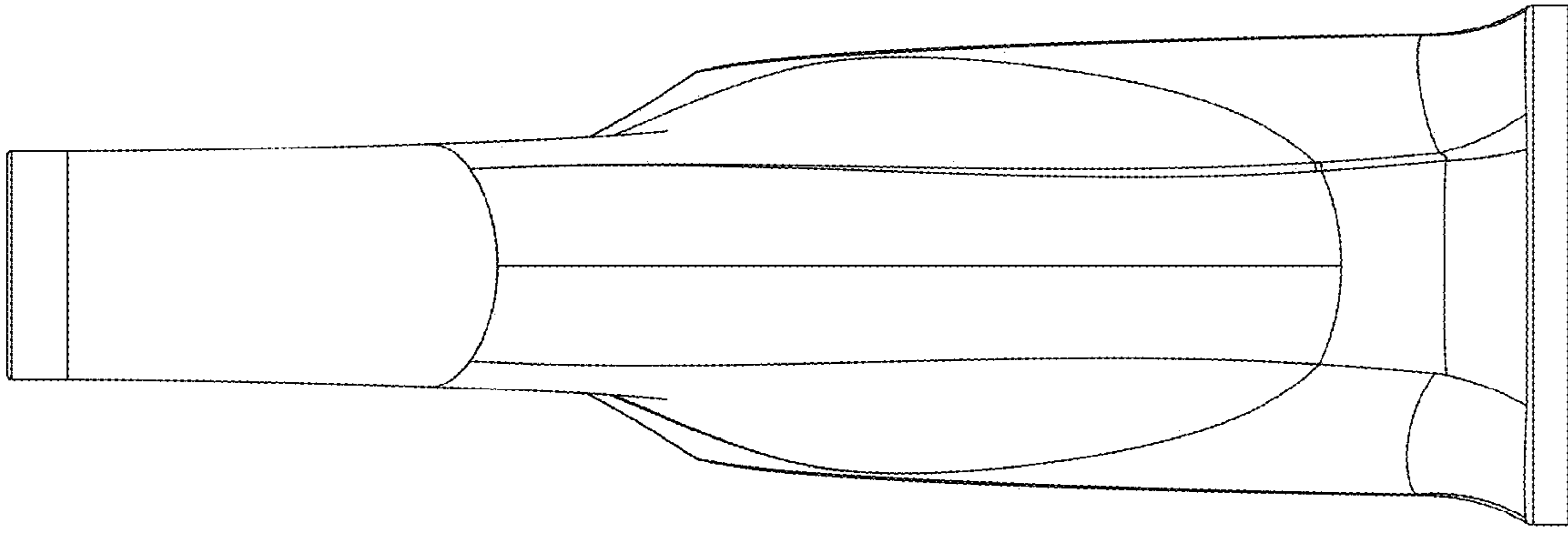


FIG - 6

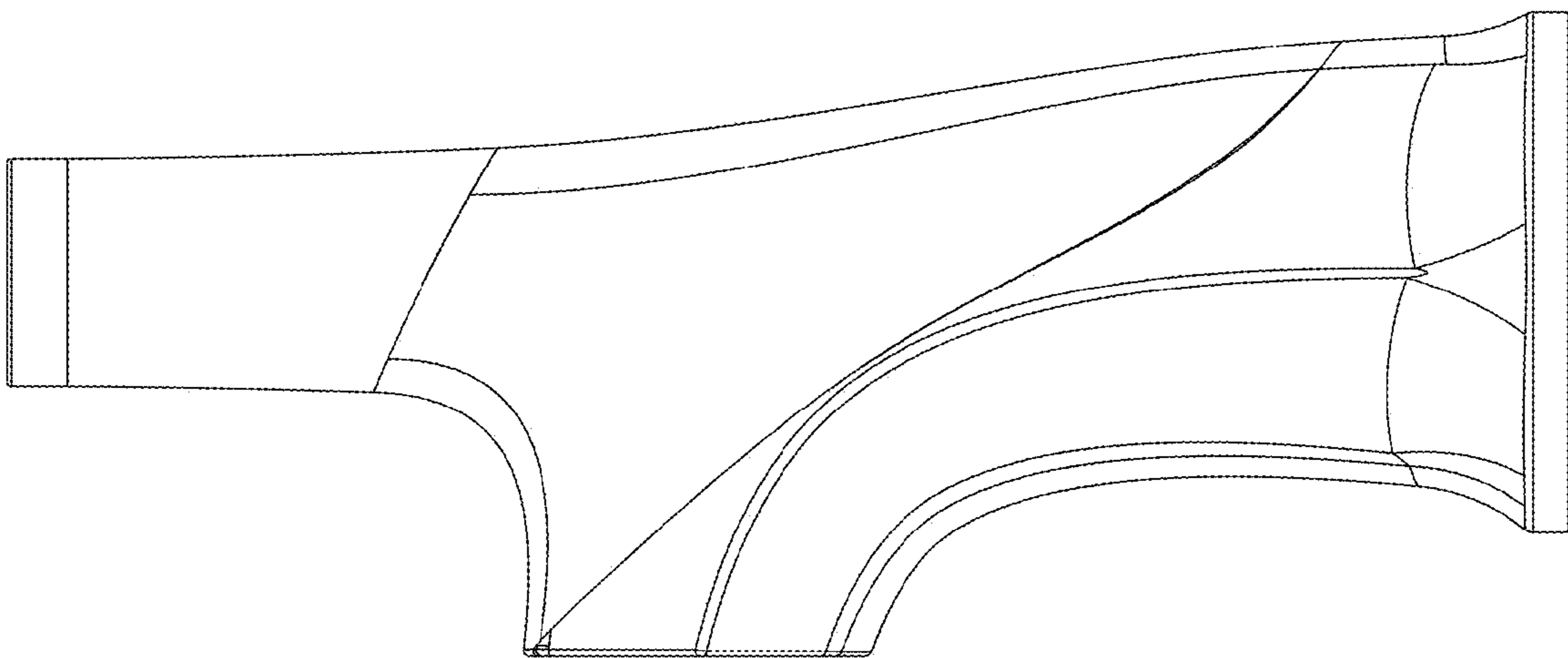


FIG - 5

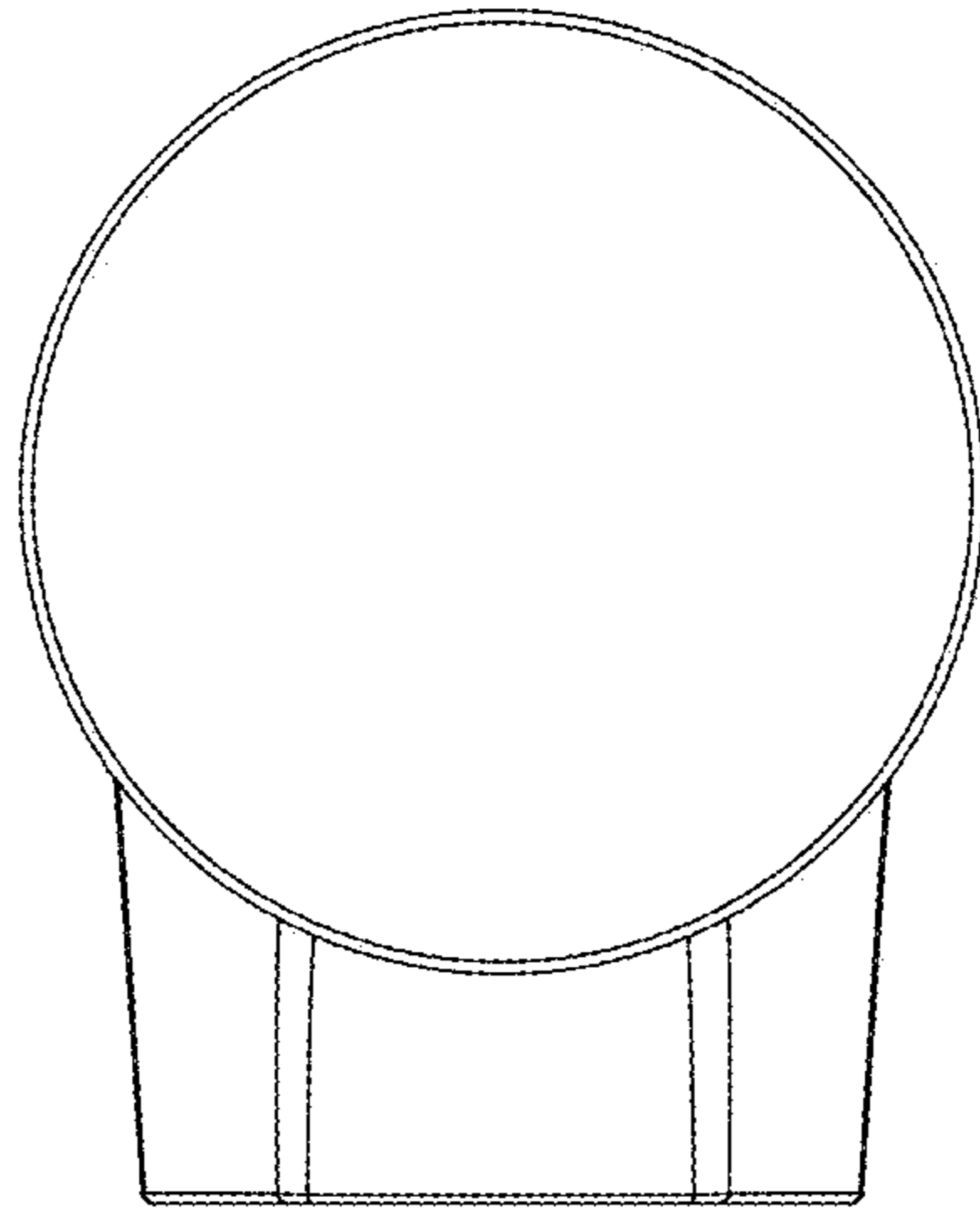


FIG - 8

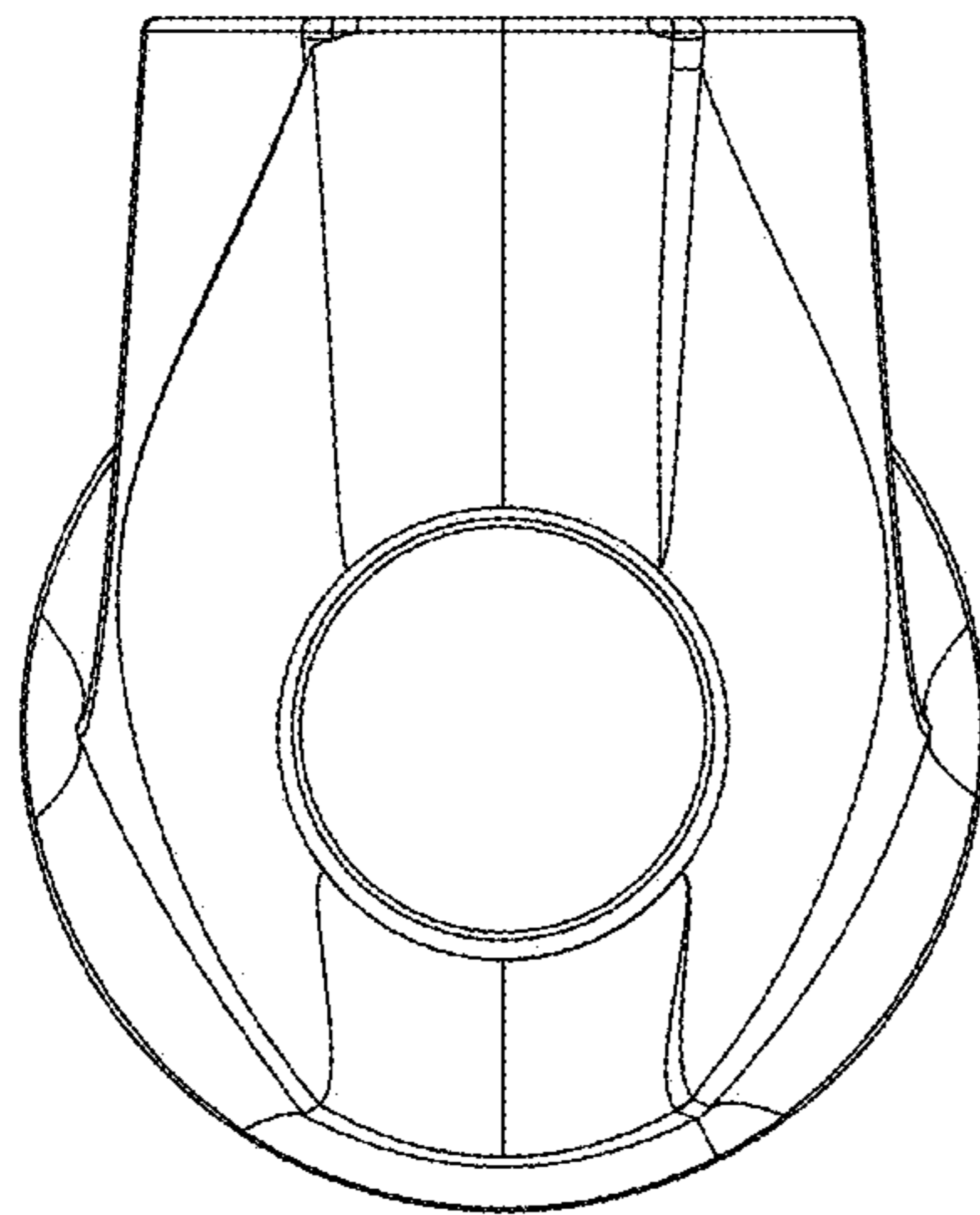


FIG - 7