



US00D954207S

(12) **United States Design Patent**  
**Barrett**

(10) **Patent No.:** **US D954,207 S**  
(45) **Date of Patent:** **\*\* Jun. 7, 2022**

(54) **VALVE CAROUSEL**

(71) Applicant: **Brett Franklin Barrett**, Seabrook, TX (US)

(72) Inventor: **Brett Franklin Barrett**, Seabrook, TX (US)

(73) Assignee: **CNB MARINE SOLUTIONS LLC**, Kemah, TX (US)

(\*\*) Term: **15 Years**

(21) Appl. No.: **29/697,025**

(22) Filed: **Jul. 3, 2019**

(51) **LOC (13) Cl.** ..... **23-01**

(52) **U.S. Cl.**  
USPC ..... **D23/245**

(58) **Field of Classification Search**  
USPC ..... D23/233–235, 237, 244–249  
(Continued)

(56) **References Cited**

**U.S. PATENT DOCUMENTS**

1,992,319 A 2/1935 Louis  
2,542,127 A 2/1951 Lathrop  
(Continued)

**FOREIGN PATENT DOCUMENTS**

EP 3351835 A1 7/2018  
GB 1418245 A 12/1975  
(Continued)

**OTHER PUBLICATIONS**

Applicant reply of Dec. 5, 2019, to USPTO Final Office Action dated Nov. 29, 2019, in U.S. Appl. No. 16/502,411, filed Jul. 3, 2019.

(Continued)

*Primary Examiner* — Gino Colan

(74) *Attorney, Agent, or Firm* — Basil M. Angelo; Angelo IP

(57) **CLAIM**

The ornamental design for valve carousel, as shown.

**DESCRIPTION**

FIG. 1 is a front right perspective view of the carousel of the valve carousel showing my new design;  
FIG. 2 is a rear right perspective view thereof;  
FIG. 3 is a front left perspective view thereof;  
FIG. 4 is a rear left perspective view thereof;  
FIG. 5 is a right elevation view thereof;  
FIG. 6 is a left elevation view thereof;  
FIG. 7 is a front elevation view thereof;  
FIG. 8 is a rear elevation view thereof;  
FIG. 9 is a top plan view thereof;  
FIG. 10 is a bottom plan view thereof;  
FIG. 11 is a front right perspective view of the carousel cap of the valve carousel showing my new design;  
FIG. 12 is a rear right perspective view thereof;  
FIG. 13 is a front left perspective view thereof;  
FIG. 14 is a rear left perspective view thereof;  
FIG. 15 is a right elevation view thereof;  
FIG. 16 is a left elevation view thereof;  
FIG. 17 is a front elevation view thereof;  
FIG. 18 is a rear elevation view thereof;  
FIG. 19 is a top plan view thereof;  
FIG. 20 is a bottom plan view thereof;  
FIG. 21 is a front right perspective exploded view of the valve carousel in an unassembled state showing my new design;  
FIG. 22 is a front right perspective view of the valve carousel in an assembled state;  
FIG. 23 is a front right perspective exploded view of the unassembled valve carousel as part of an unassembled serviceable valve carousel system showing an environment of use;  
FIG. 24 is a front right perspective exploded view of an assembled valve carousel as part of the partially unassembled serviceable valve carousel system showing an environment of use;

(Continued)

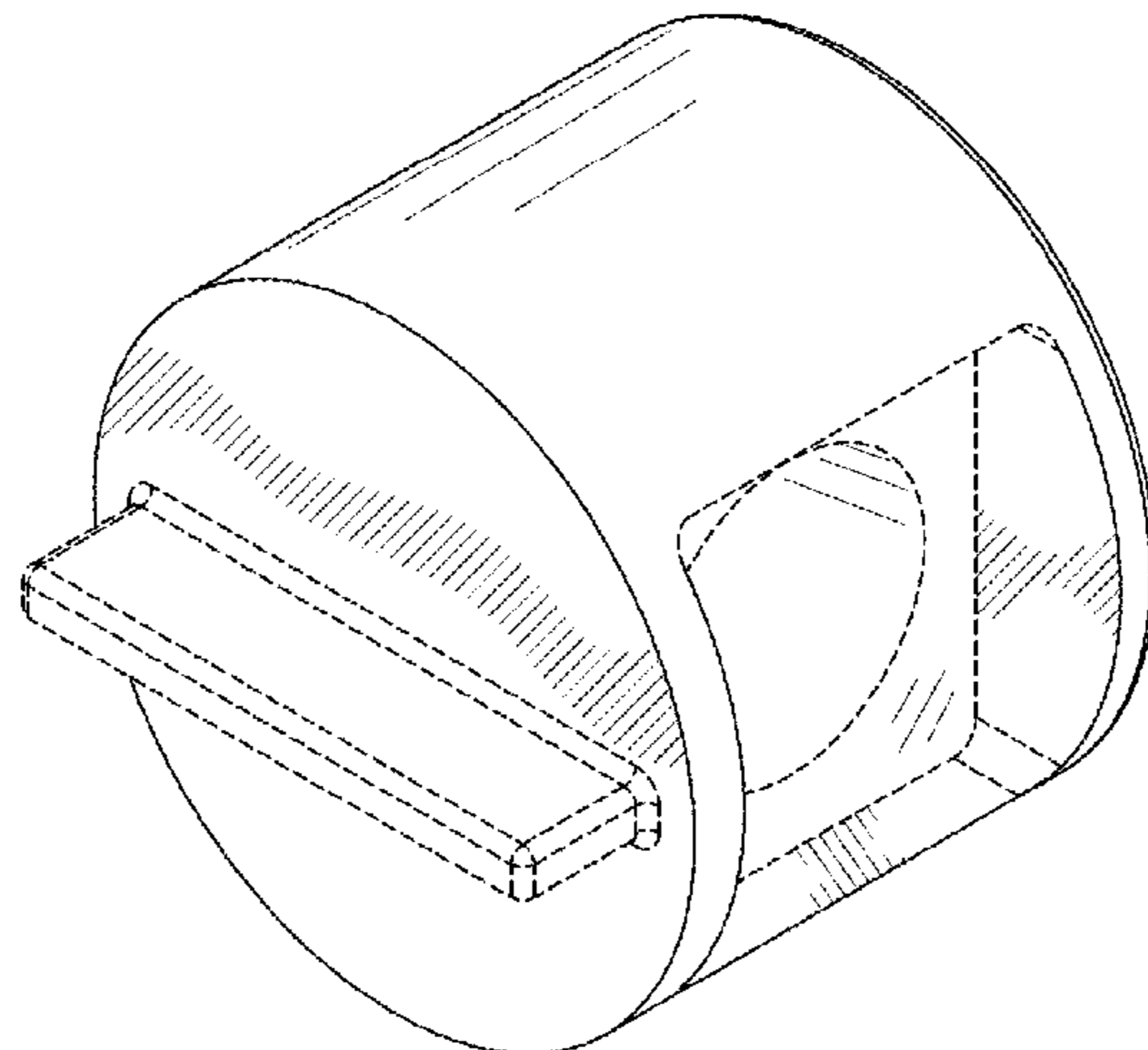


FIG. 25 is a front right perspective view of the assembled valve carousel as part of the assembled serviceable valve carousel system showing an environment of use;  
 FIG. 26 is a rear right perspective view of the assembled valve carousel as part of the assembled serviceable valve carousel system showing an environment of use; and,  
 FIG. 27 shows a right elevation view of the valve carousel as part of a serviceable valve carousel system installed in a marine sanitation system showing an environment of use. The broken lines in the figures show portions of the valve carousel, or environmental structure, which form no part of the claimed design.

**1 Claim, 14 Drawing Sheets**

(58) **Field of Classification Search**  
 CPC ..... F16K 27/0209; F16K 15/00; F16K 15/181  
 See application file for complete search history.

(56) **References Cited**

U.S. PATENT DOCUMENTS

3,160,388	A	12/1964	Marentette	
3,423,067	A	1/1969	Foster	
3,474,818	A	10/1969	Hartman	
4,275,823	A	6/1981	Credle, Jr.	
D260,810	S *	9/1981	Cleveland .....	D23/262
D299,520	S *	1/1989	Pechler .....	D23/245
4,989,631	A	2/1991	Harbin	
D321,243	S *	10/1991	Comstock, Jr. ....	D23/245
5,373,868	A	12/1994	Rodriguez	
5,730,420	A	3/1998	Tow	
6,854,664	B2 *	2/2005	Smith .....	B05B 15/74 239/205
7,036,523	B2 *	5/2006	Nixon .....	F04D 13/10 137/454.5

7,802,588	B2	9/2010	Doutt	
D857,851	S *	8/2019	Shinozaki .....	D23/245
10,571,039	B1 *	2/2020	Barrett .....	F16K 15/1848
2006/0196544	A1	9/2006	Soderberg et al.	
2008/0099076	A1	5/2008	Church	
2008/0236671	A1	10/2008	Claude	
2014/0261808	A1	9/2014	Brouwer et al.	
2015/0129043	A1	5/2015	Hughes et al.	

FOREIGN PATENT DOCUMENTS

GB	2157809	B	9/1987
JP	2012197949	A	10/2012
WO	2001088417	A1	11/2001

OTHER PUBLICATIONS

Applicant reply of Sep. 10, 2019, to USPTO Non-final Office Action dated Aug. 20, 2019, in U.S. Appl. No. 16/502,411, filed Jul. 3, 2019.  
 USPTO Final Office Action dated Nov. 29, 2019, for U.S. Appl. No. 16/502,411, filed Jul. 3, 2019.  
 USPTO Notice of Allowance dated Dec. 26, 2019, for U.S. Appl. No. 16/502,411, filed Jul. 3, 2019.  
 Applicant reply of Apr. 1, 2021, to USPTO Non-Final Office Action issued in U.S. Appl. No. 16/742,162, filed Jan. 14, 2020.  
 USPTO Non-Final Office Action issued in U.S. Appl. No. 16/742,162, filed Jan. 14, 2020, dated Mar. 22, 2021.  
 USPTO Notice of Allowance issued in U.S. Appl. No. 16/742,162, filed Jan. 14, 2020, dated Mar. 22, 2021.  
 International Search Report of the International Search Authority for PCT international application PCT/US2019/040492 dated Sep. 27, 2019.  
 Non-Final office action issued by the USPTO in U.S. Appl. No. 16/502,411 dated Aug. 20, 2019.  
 Written Opinion of Patentability of the International Search Authority for PCT international application PCT/US2019/040492 dated Sep. 27, 2019.

\* cited by examiner

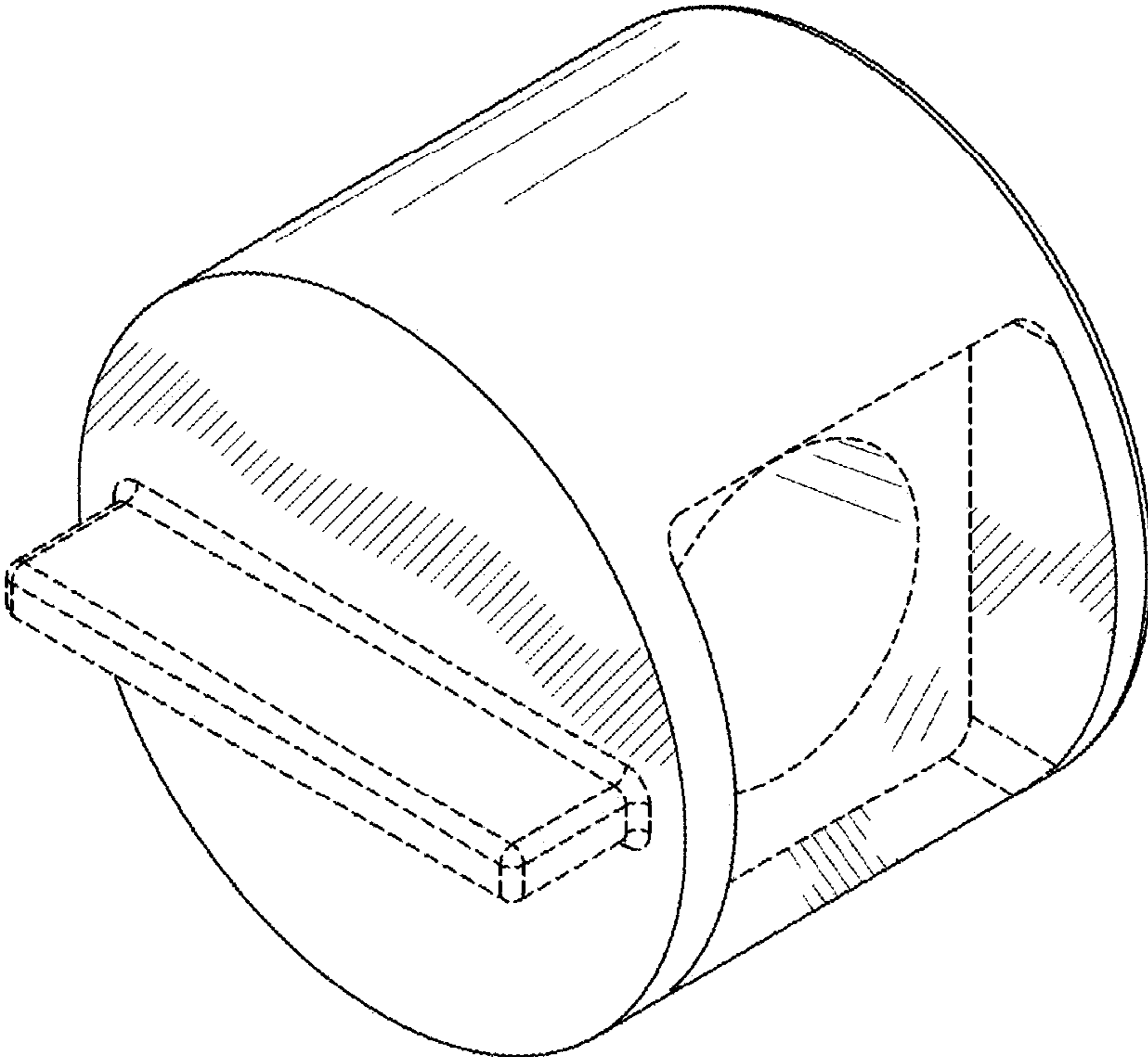


FIG. 1

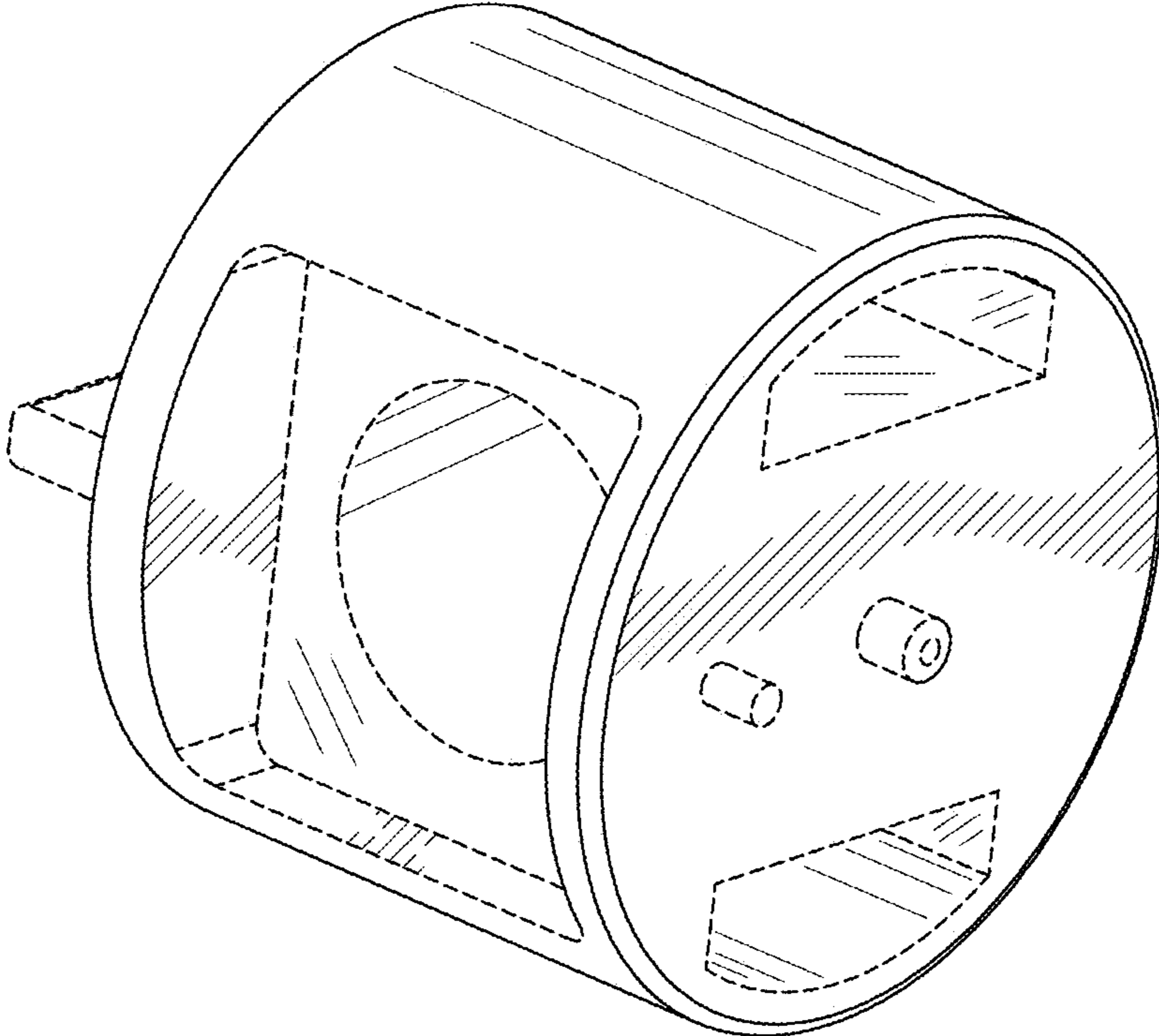


FIG. 2

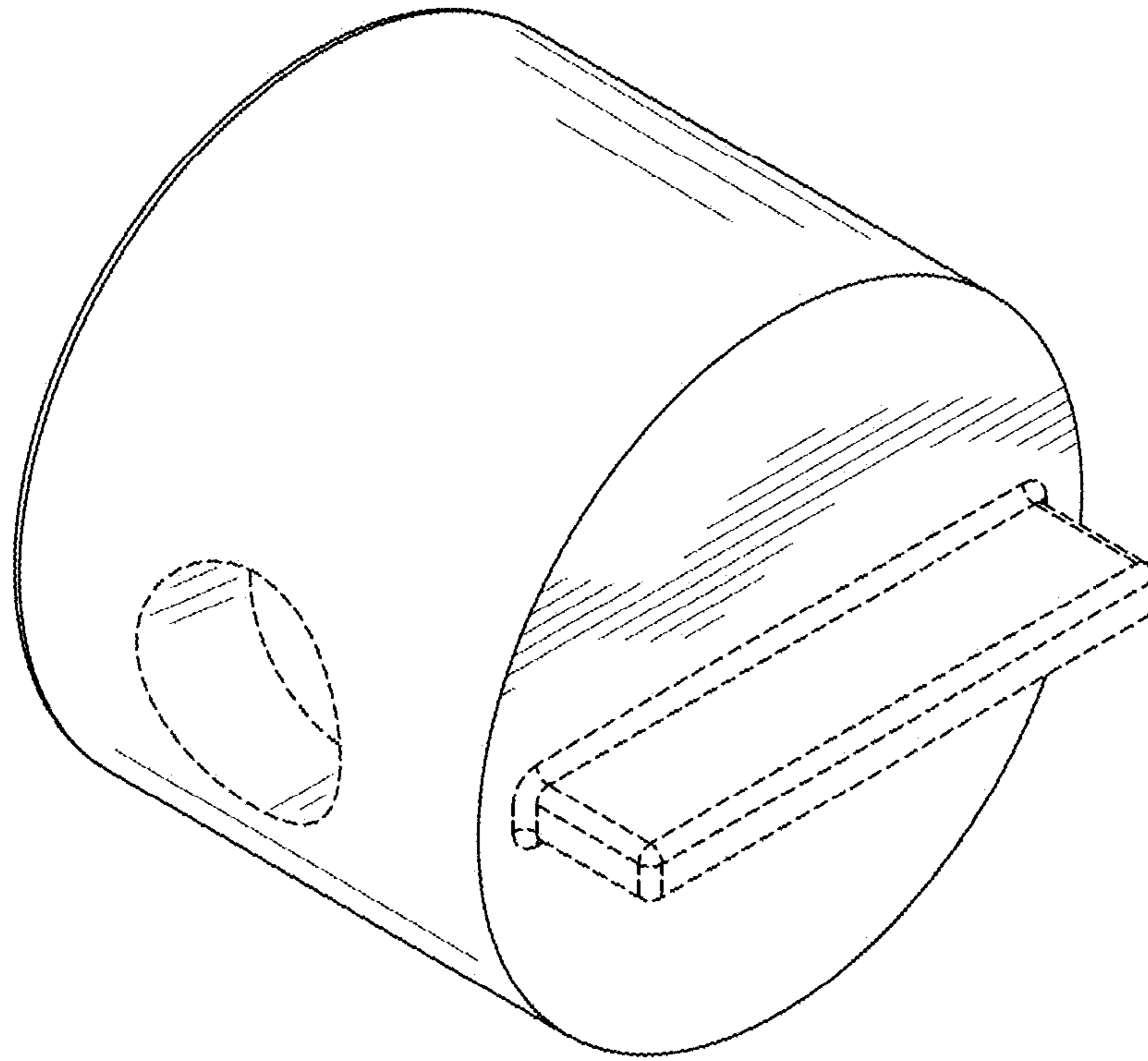


FIG. 3

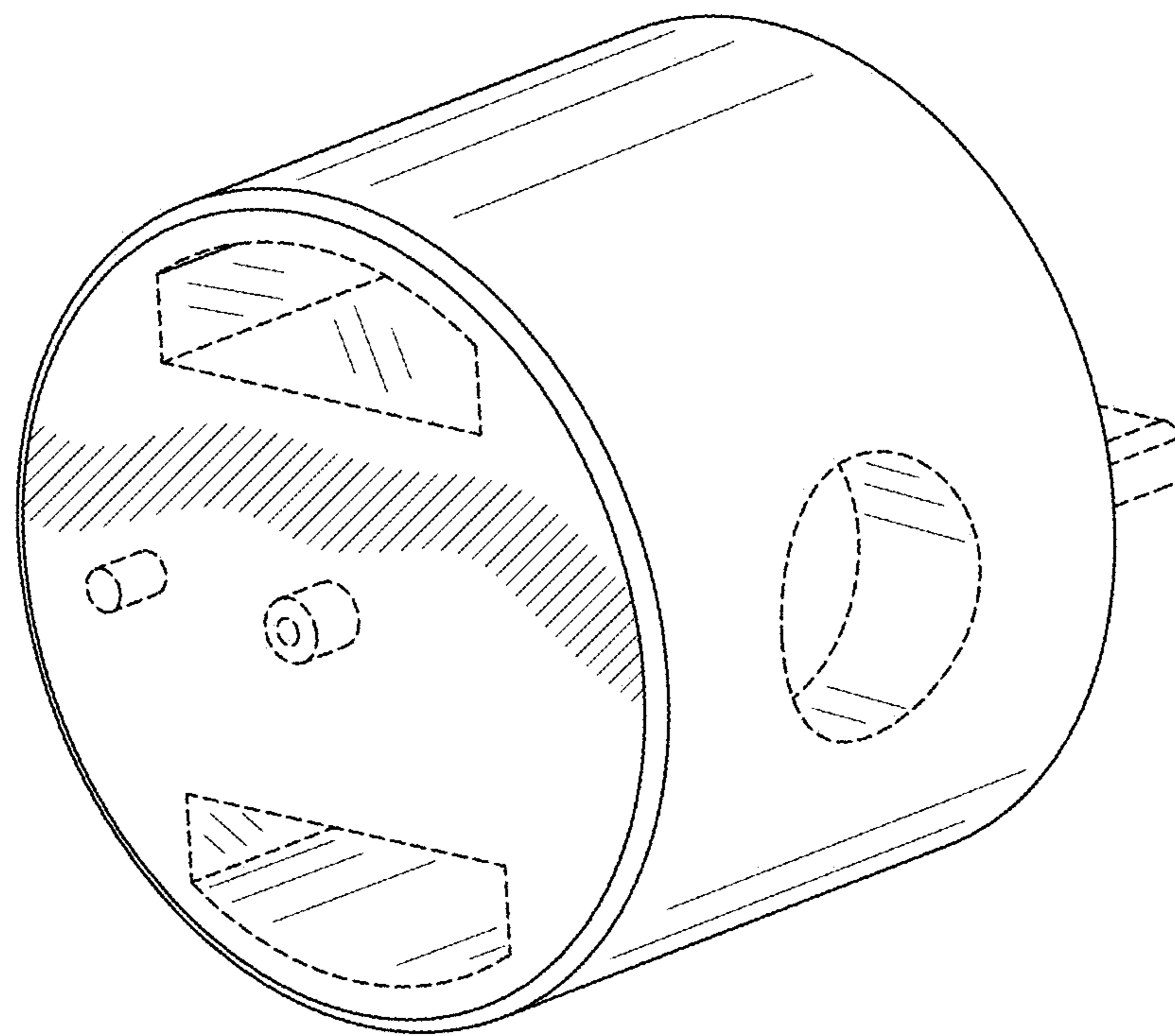


FIG. 4

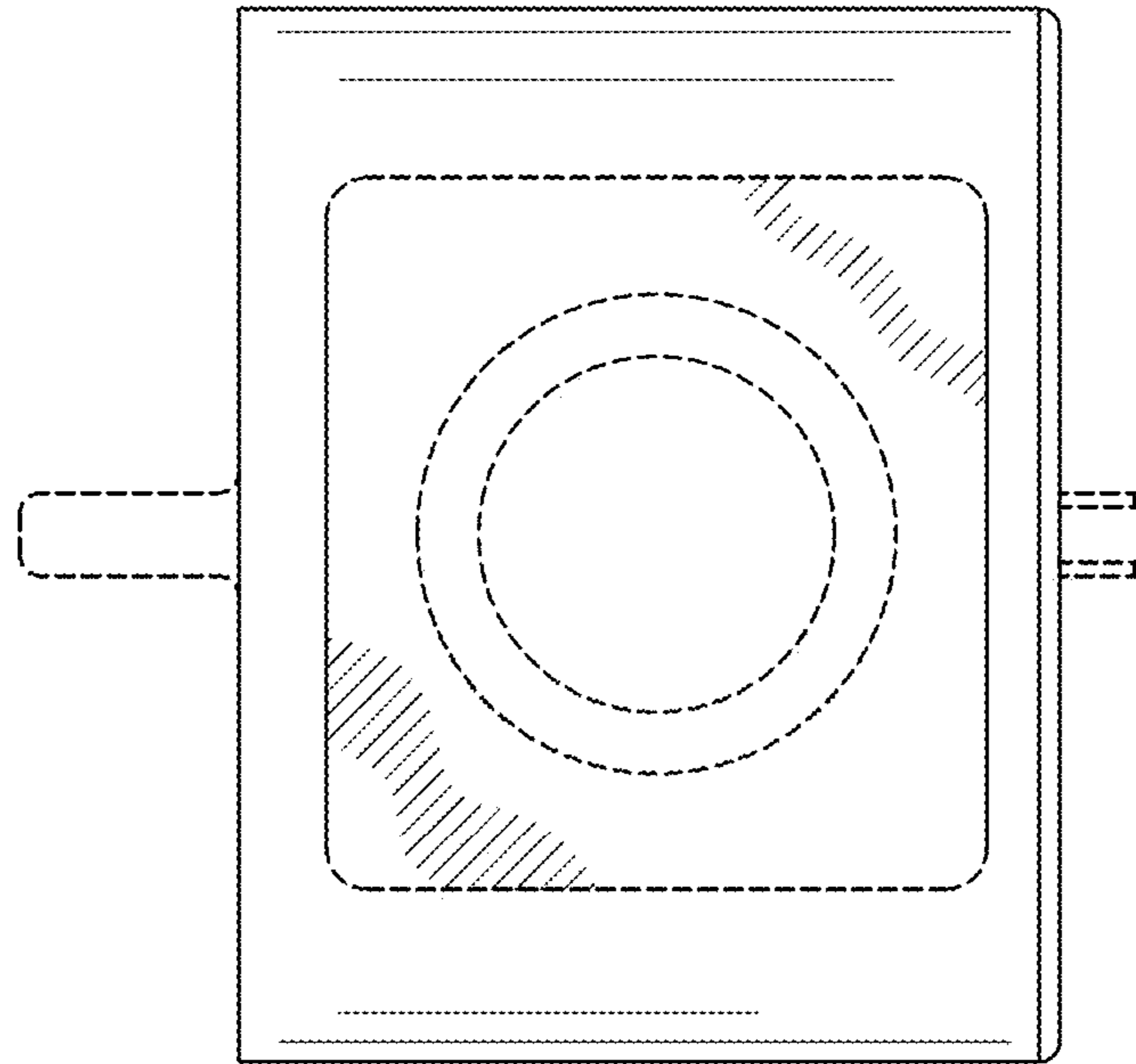


FIG. 5

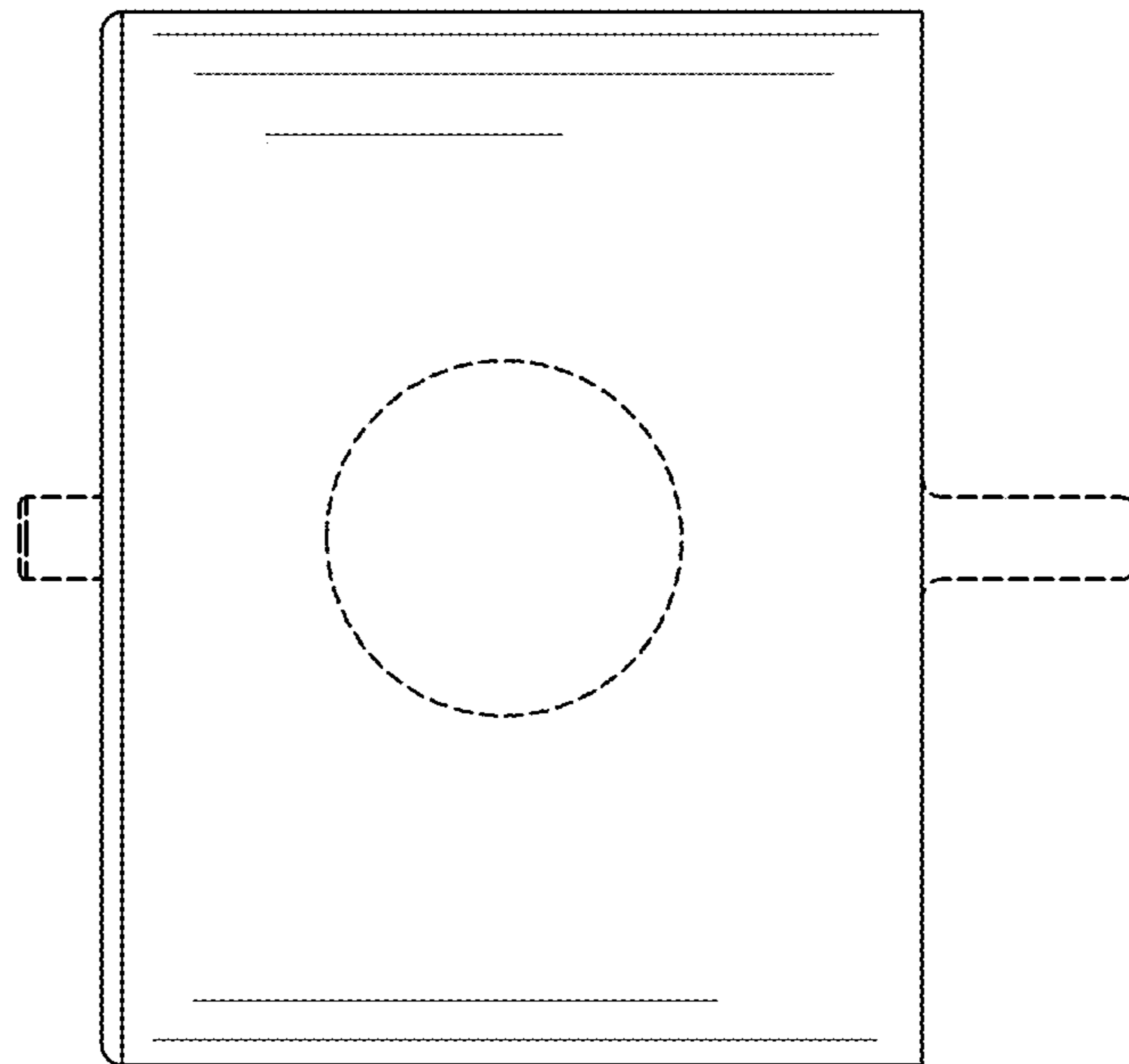


FIG. 6

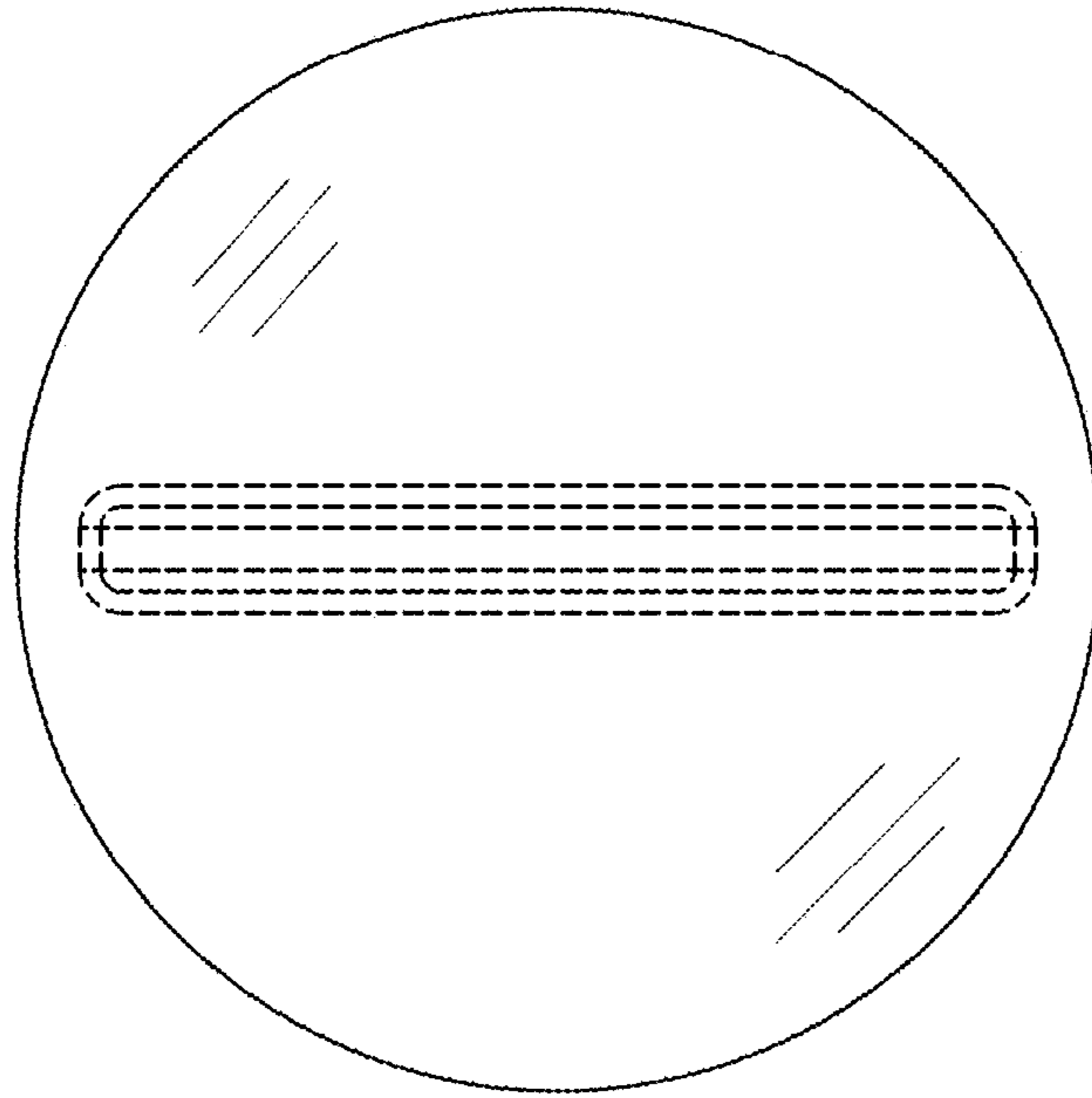


FIG. 7

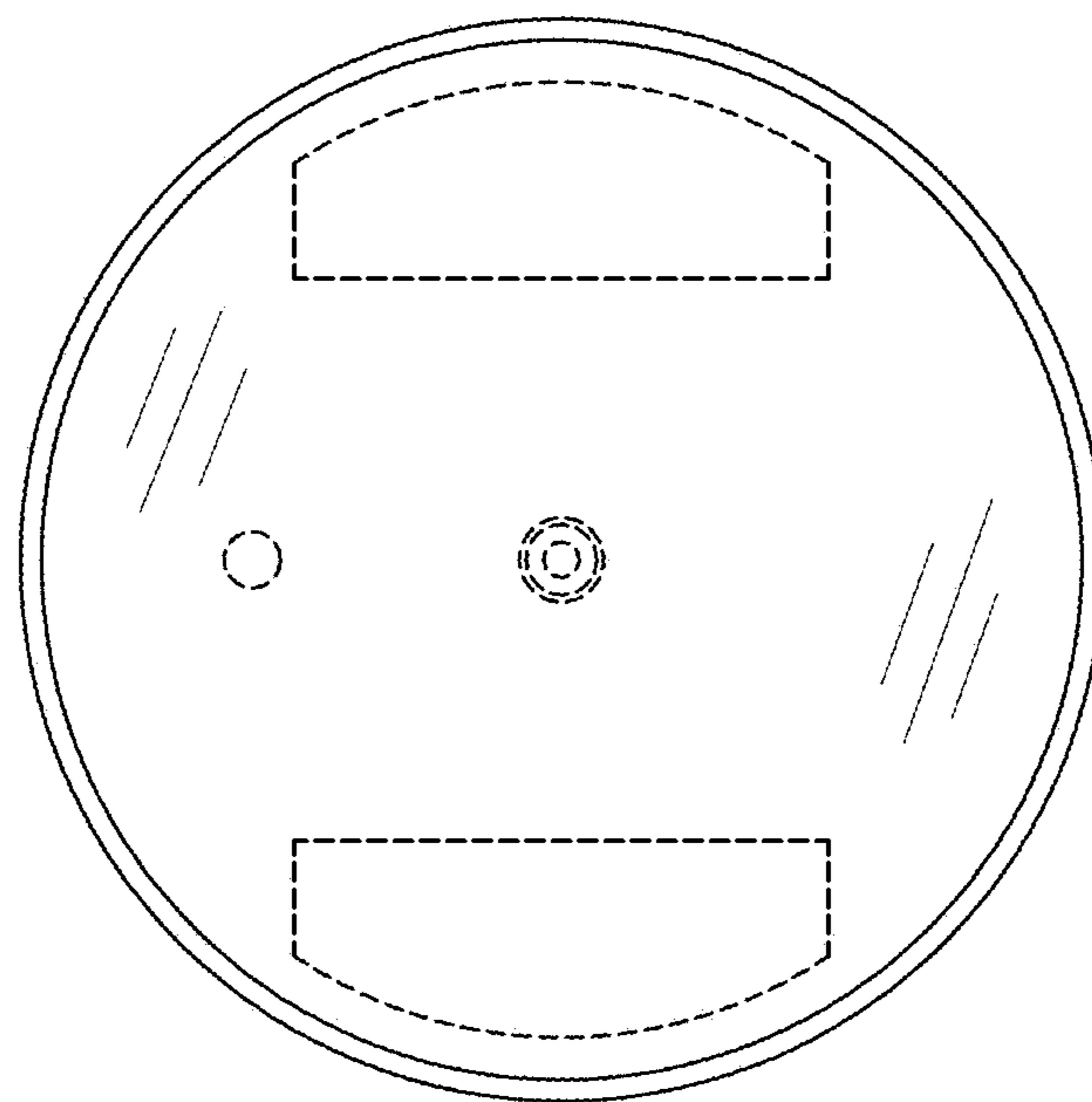


FIG. 8

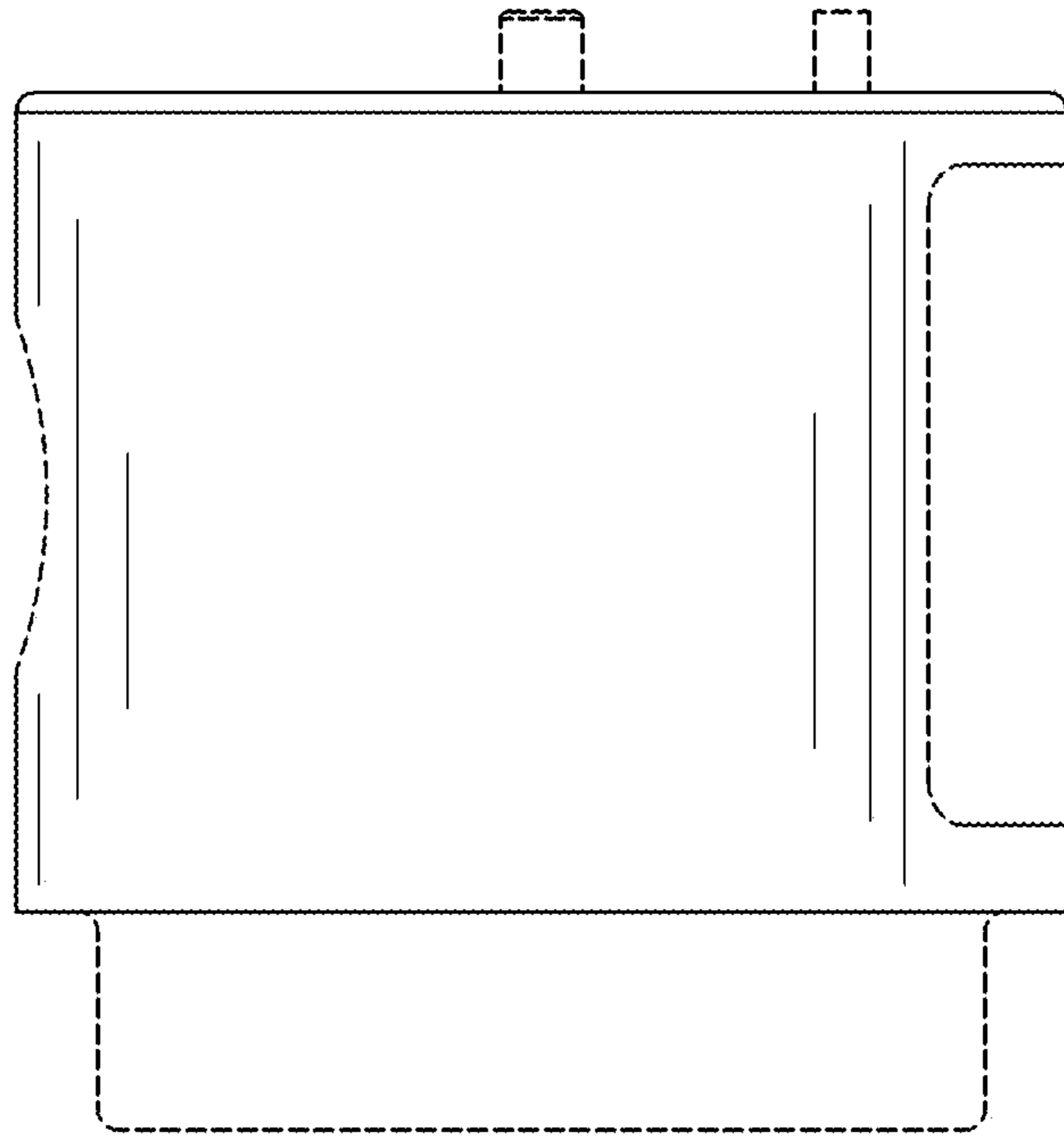


FIG. 9

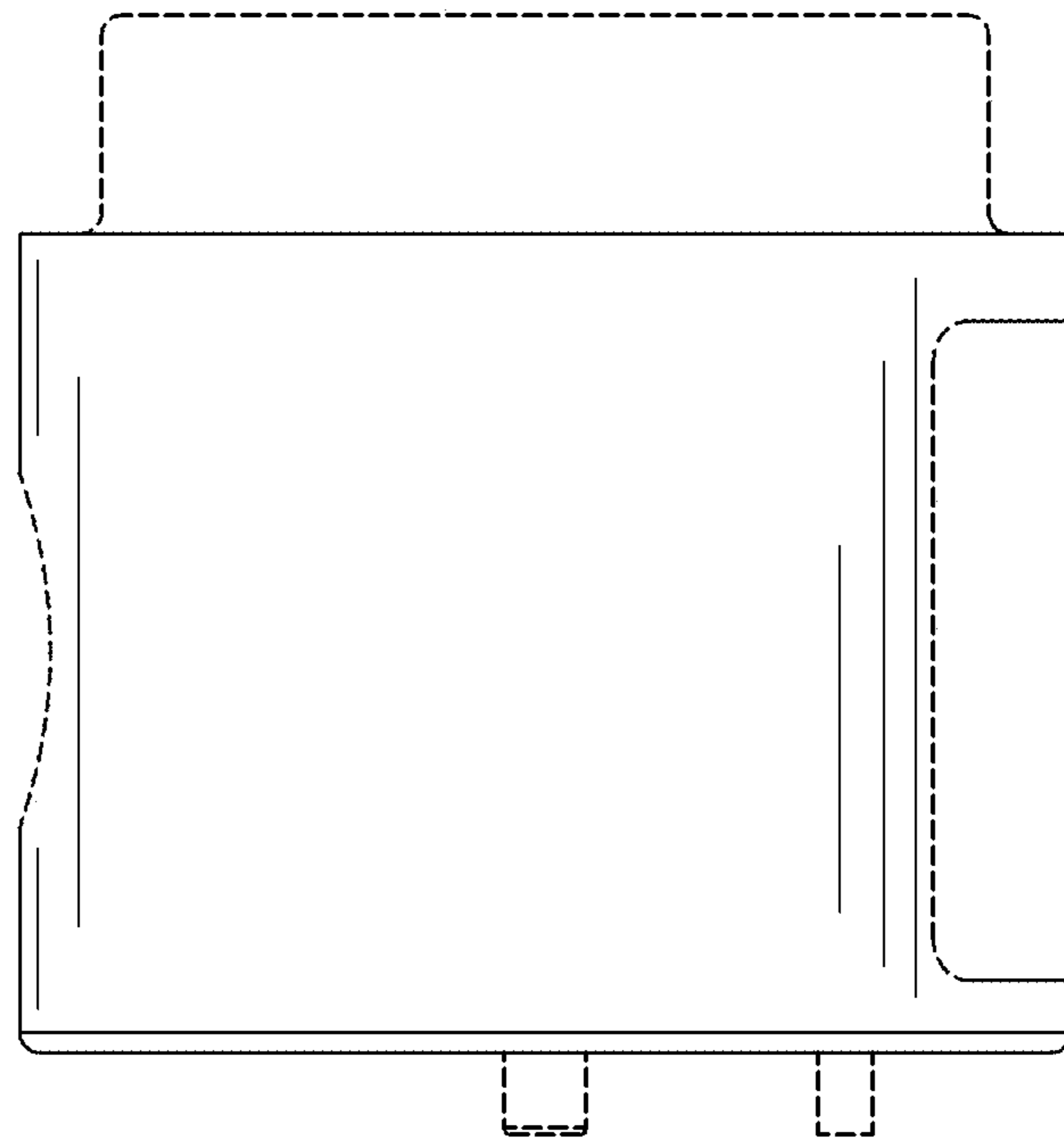


FIG. 10

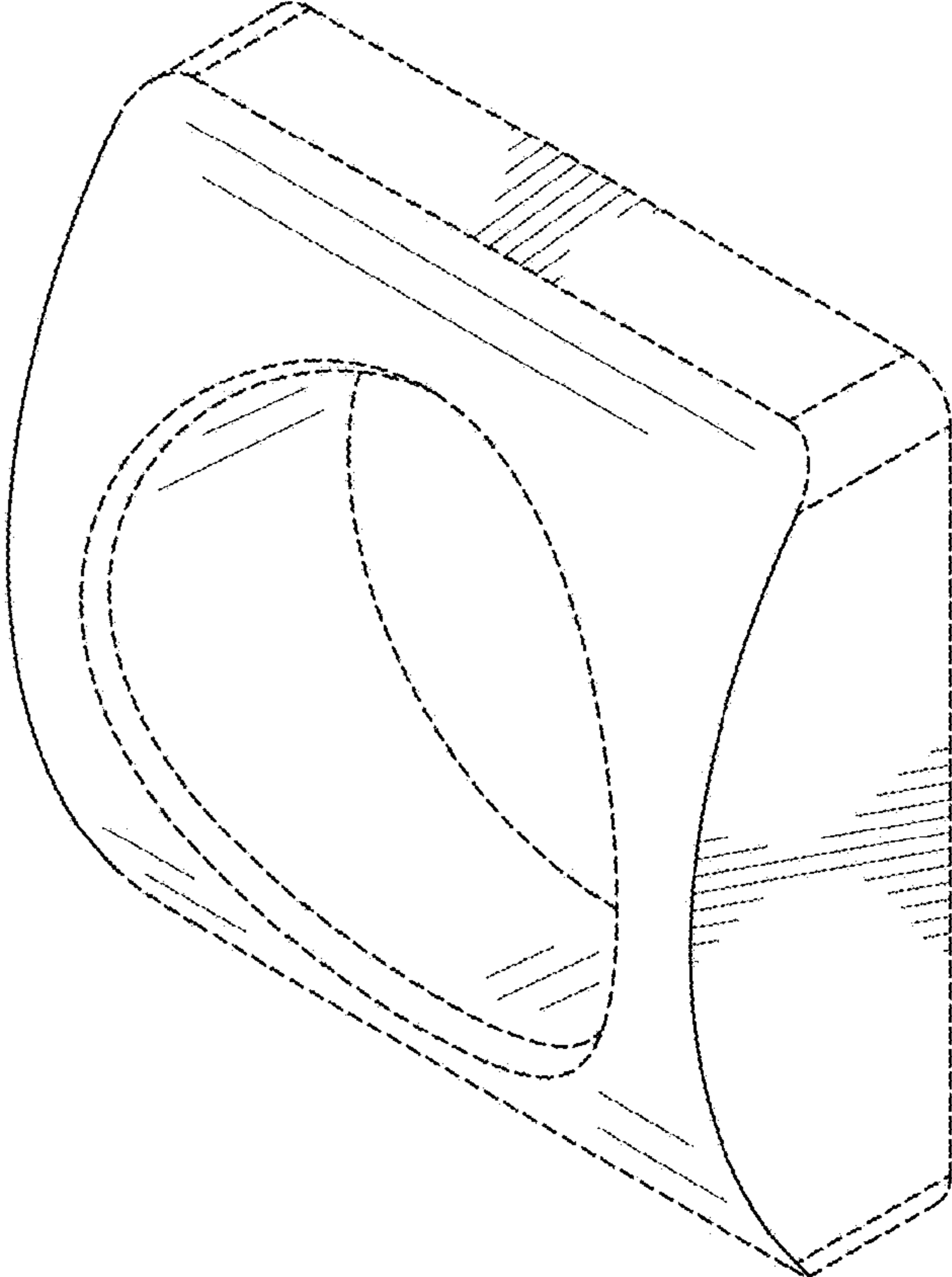


FIG. 11

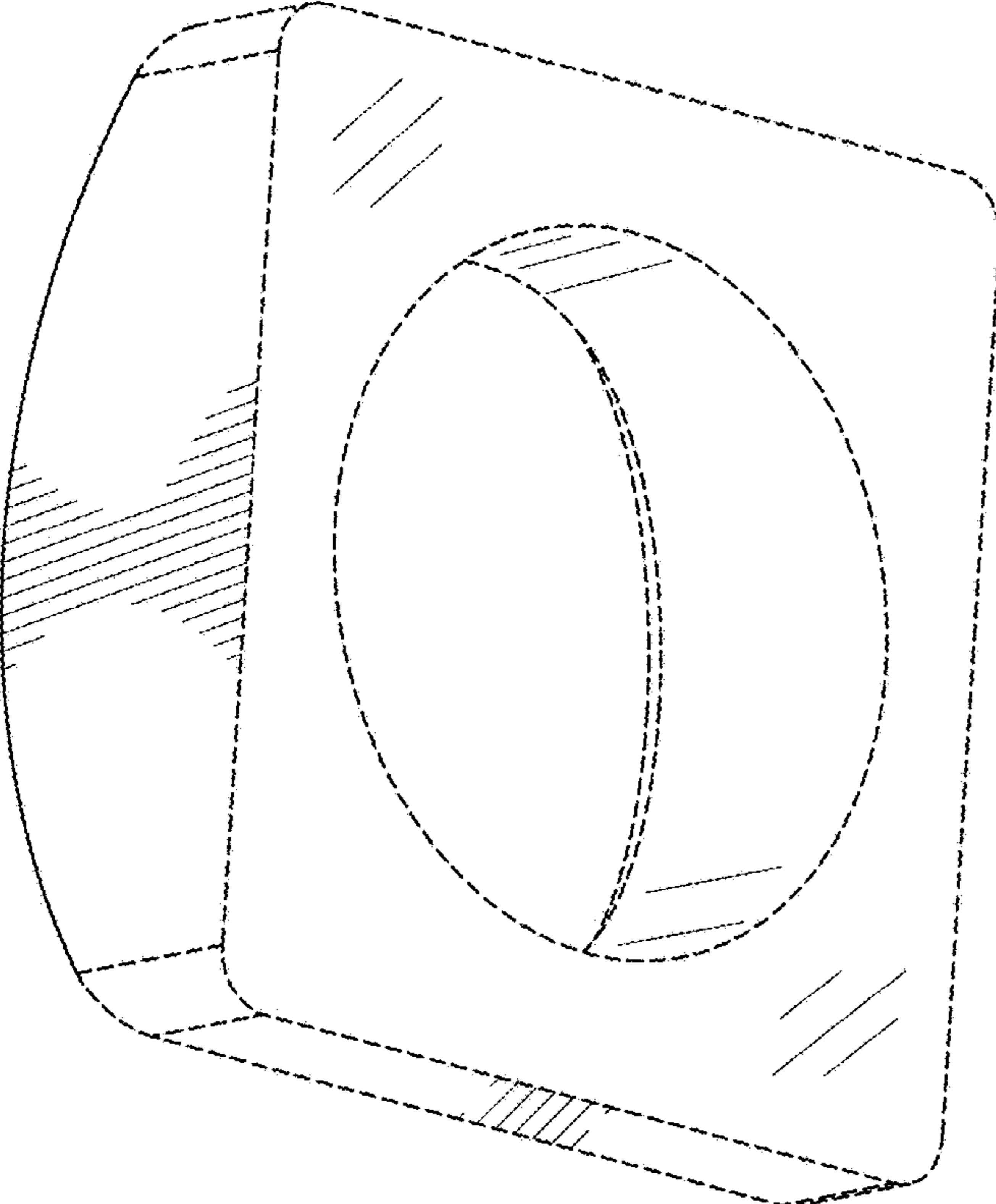


FIG. 12



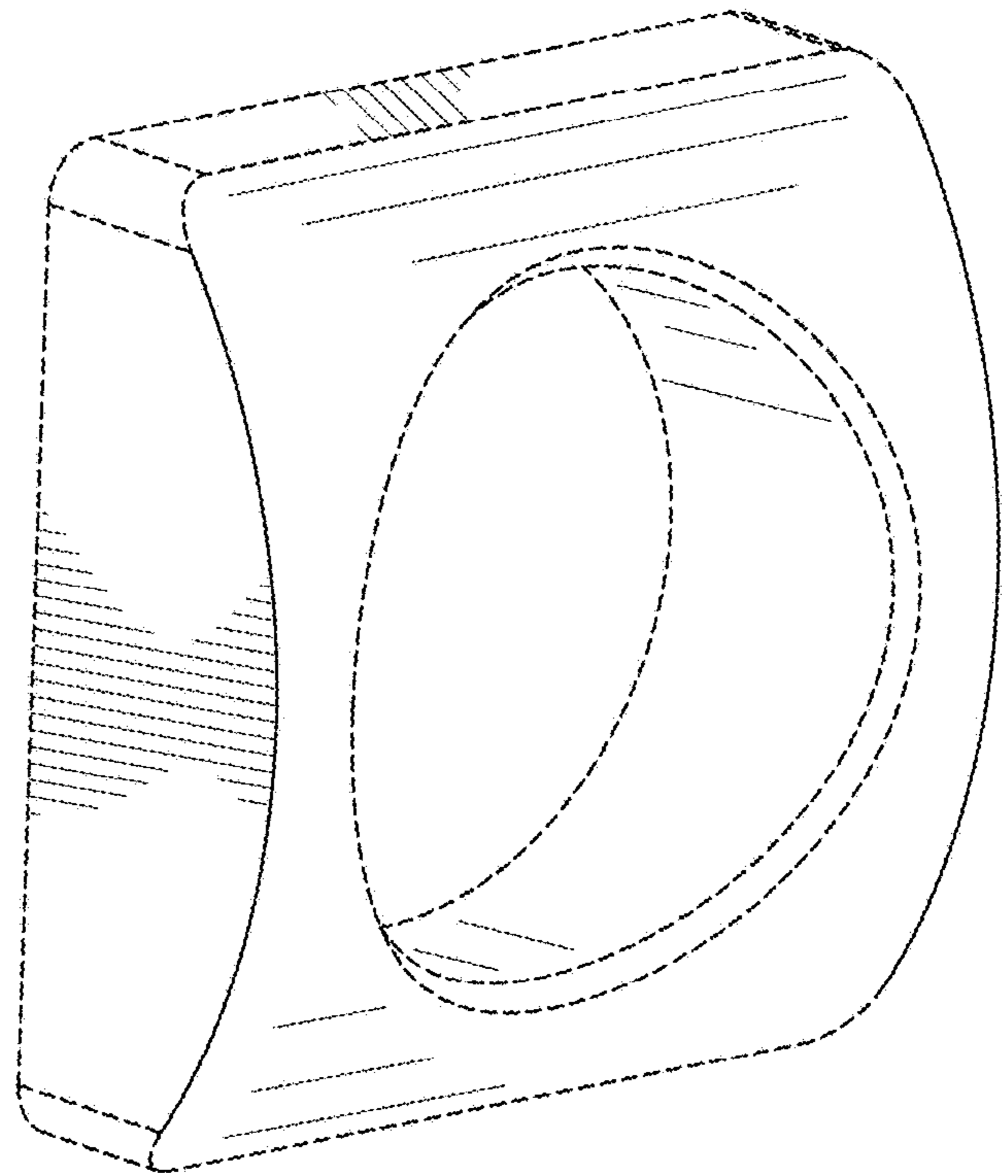


FIG. 13

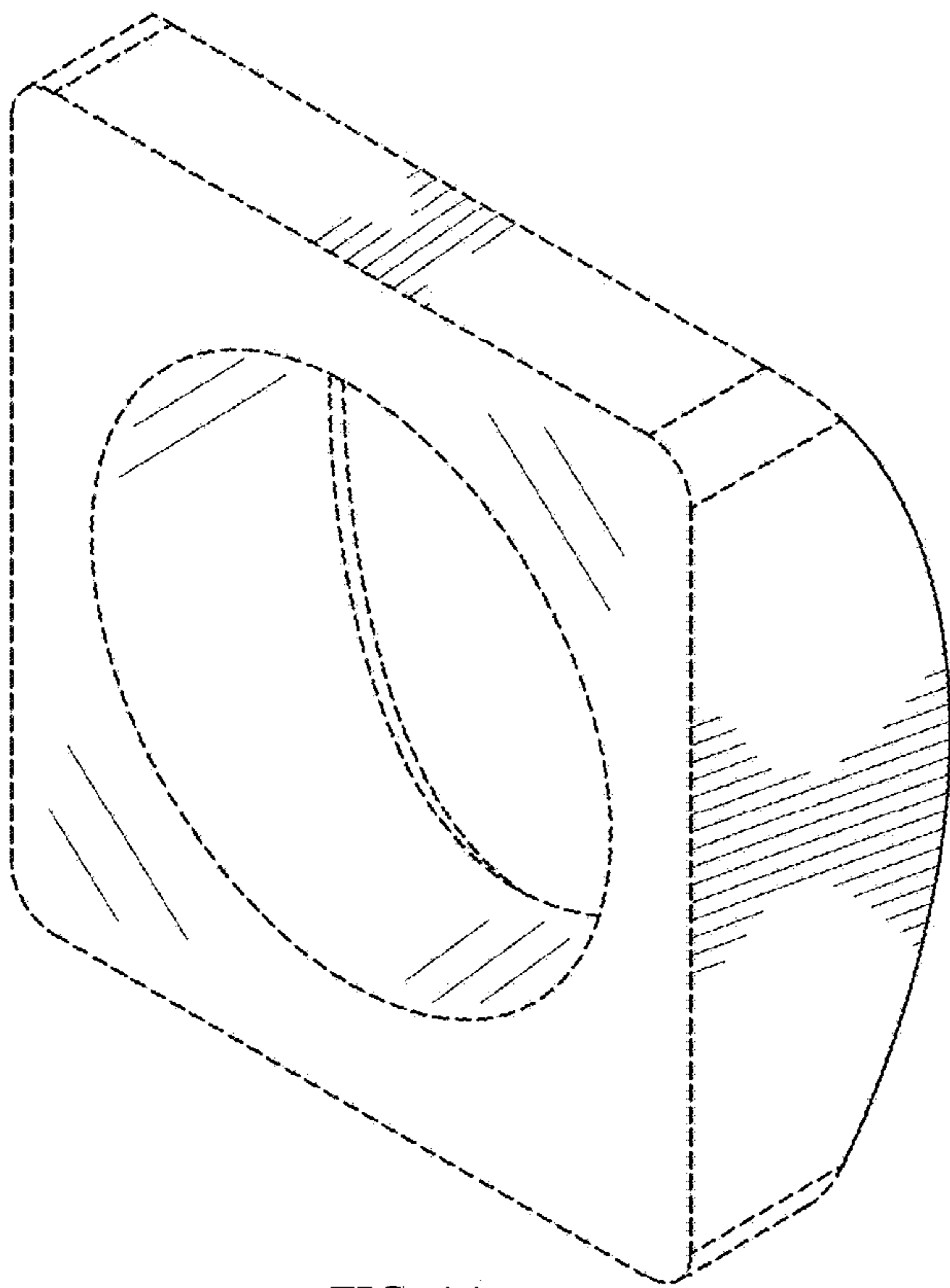


FIG. 14

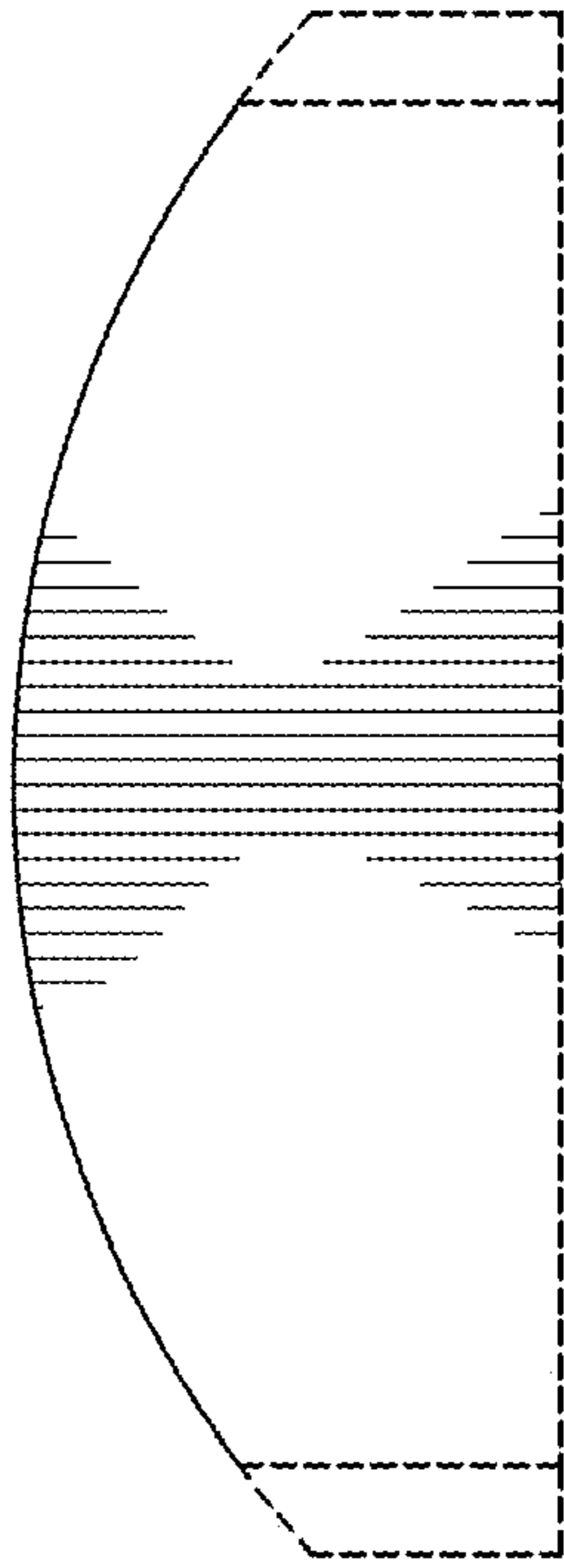


FIG. 15

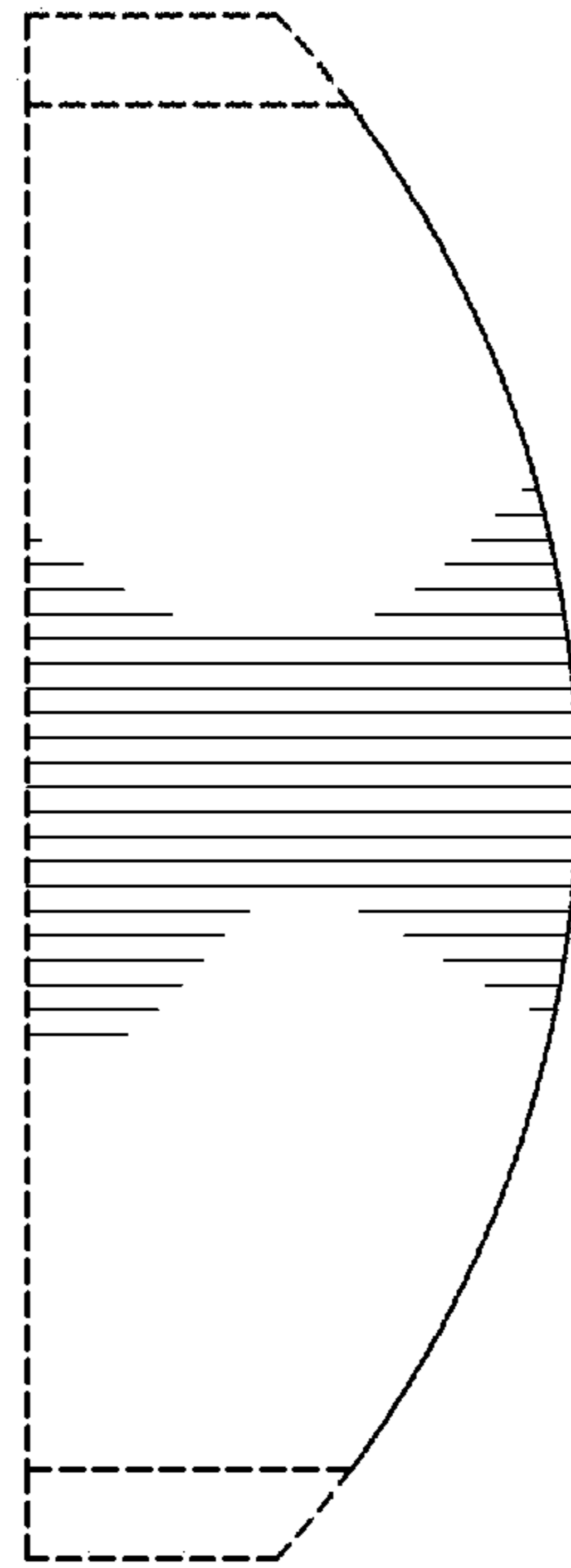


FIG. 16

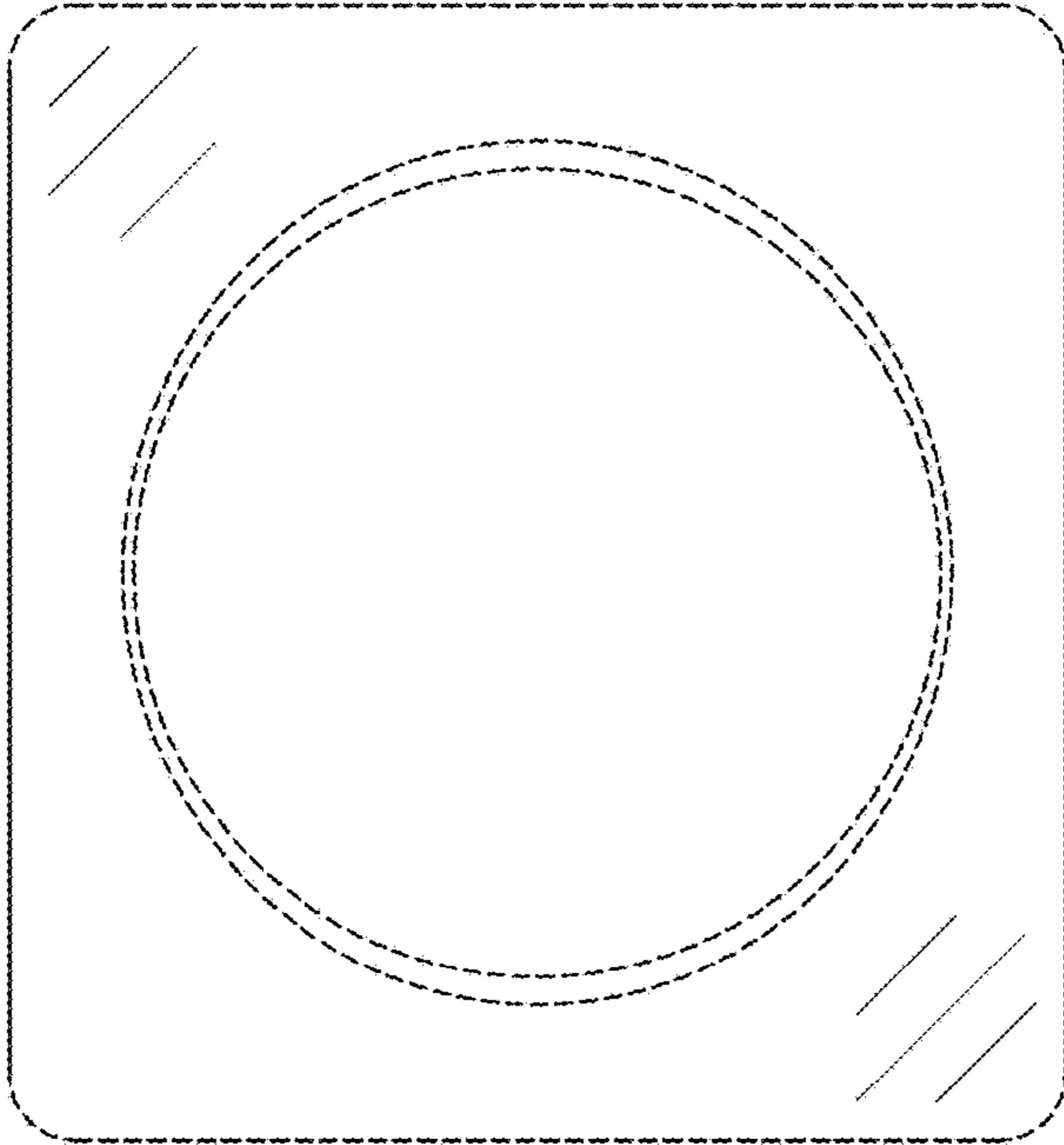


FIG. 17

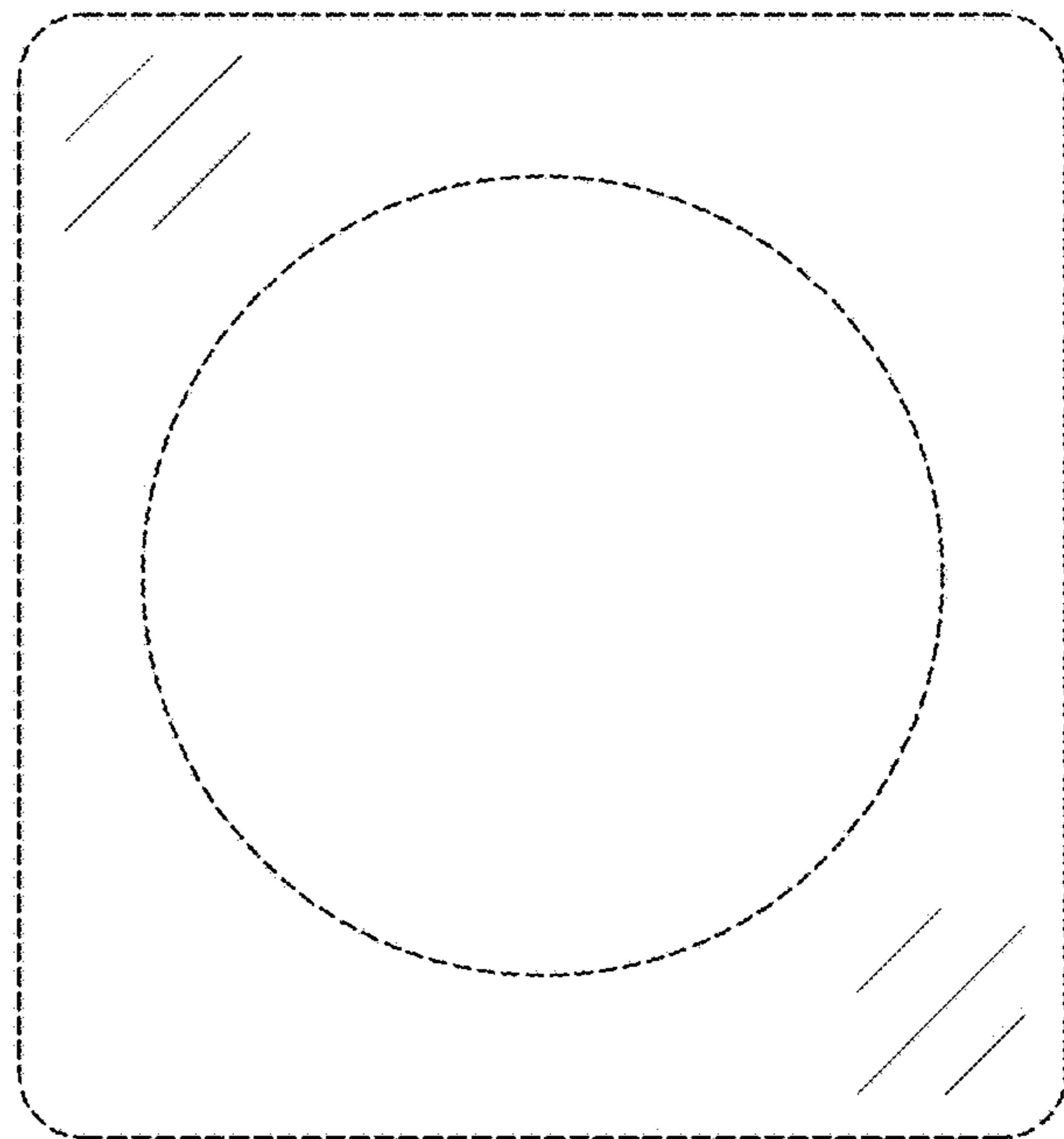


FIG. 18

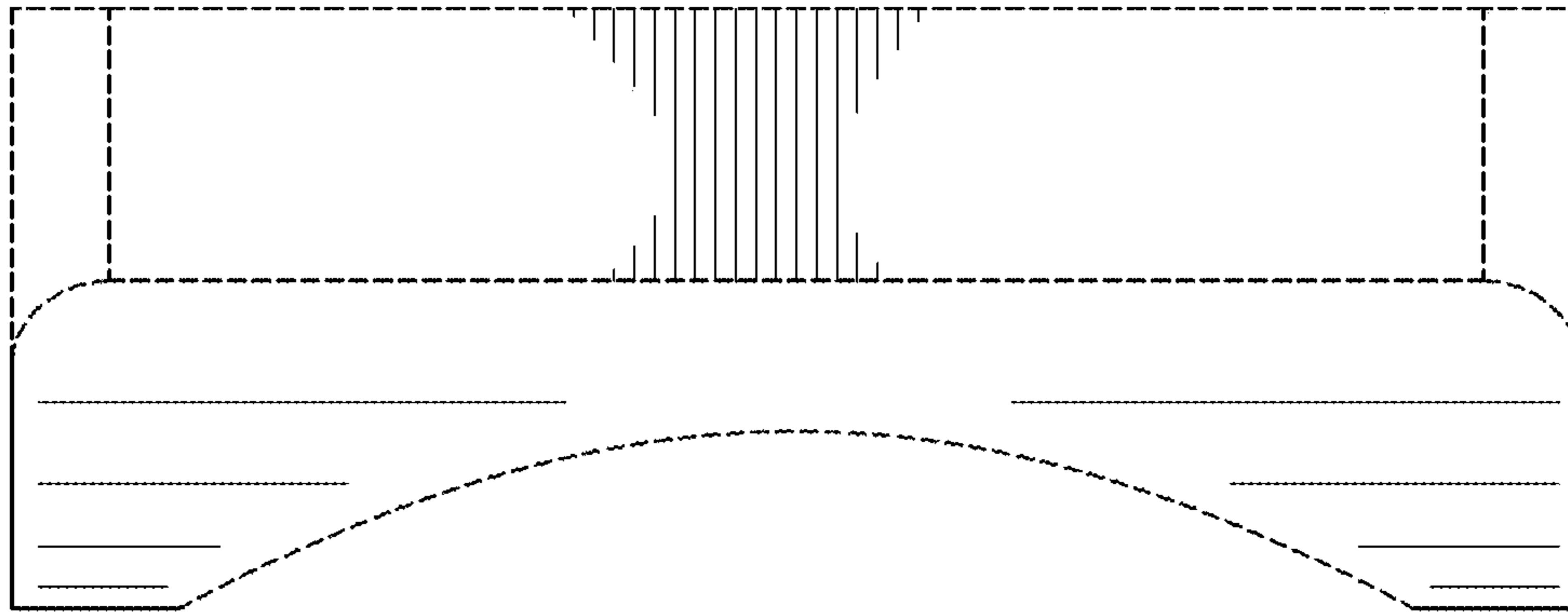


FIG. 19

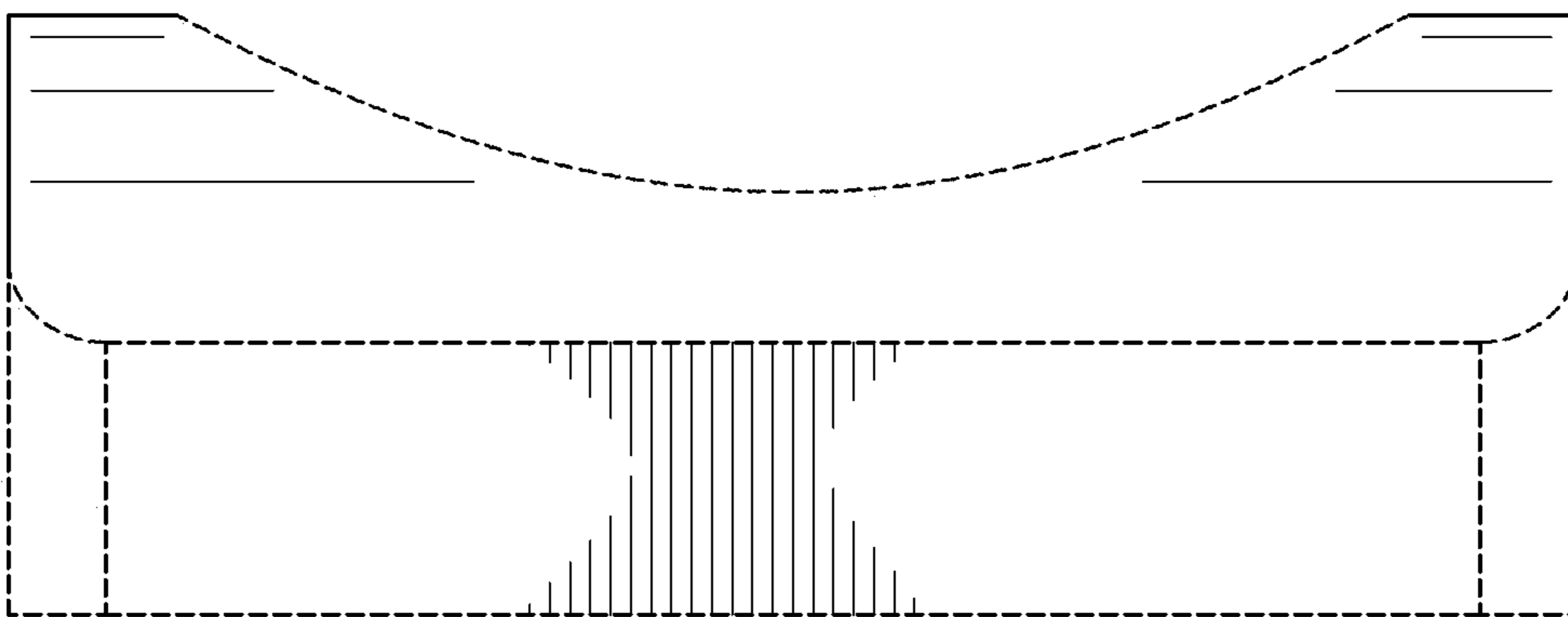


FIG. 20

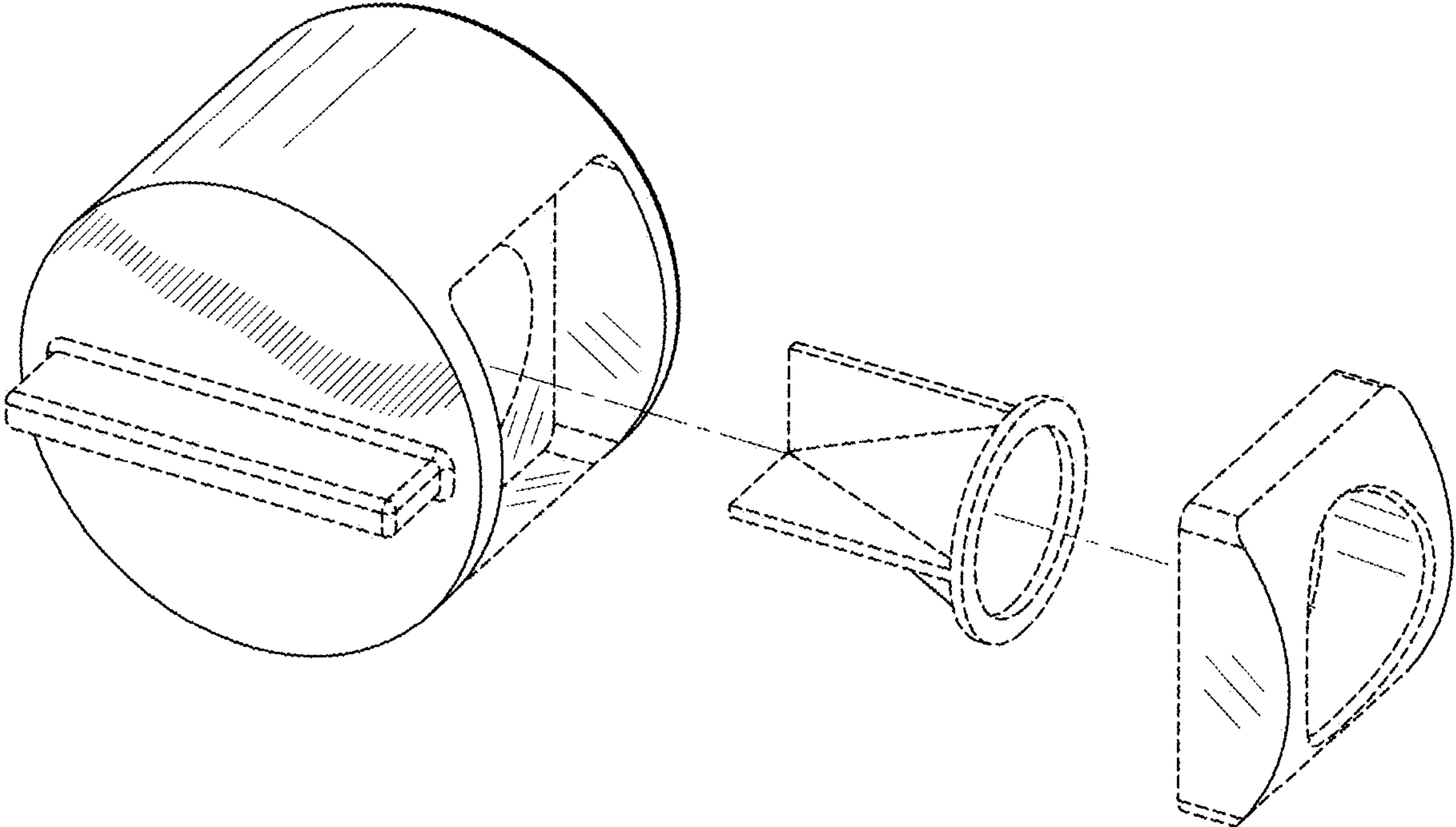


FIG. 21

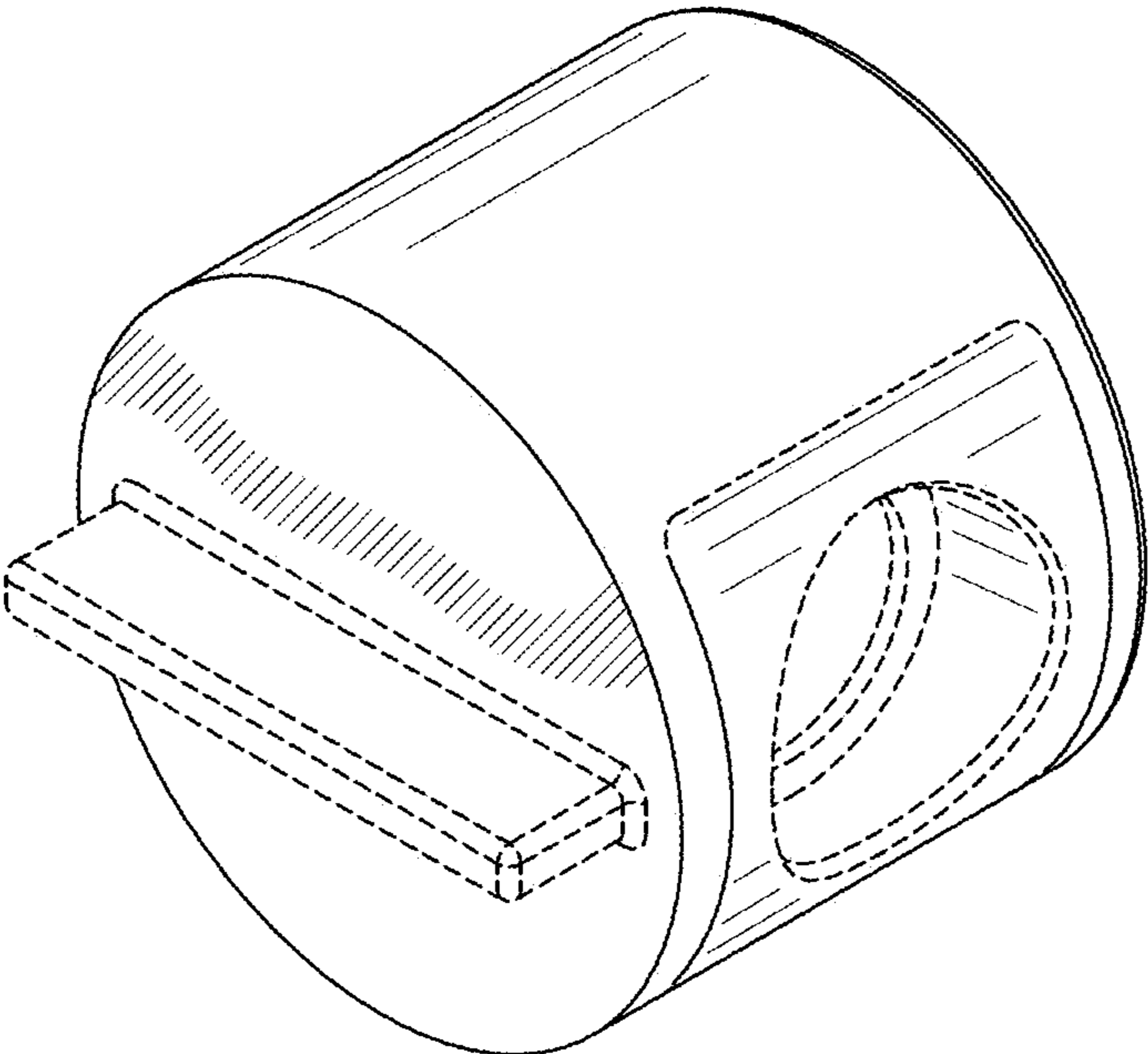


FIG. 22

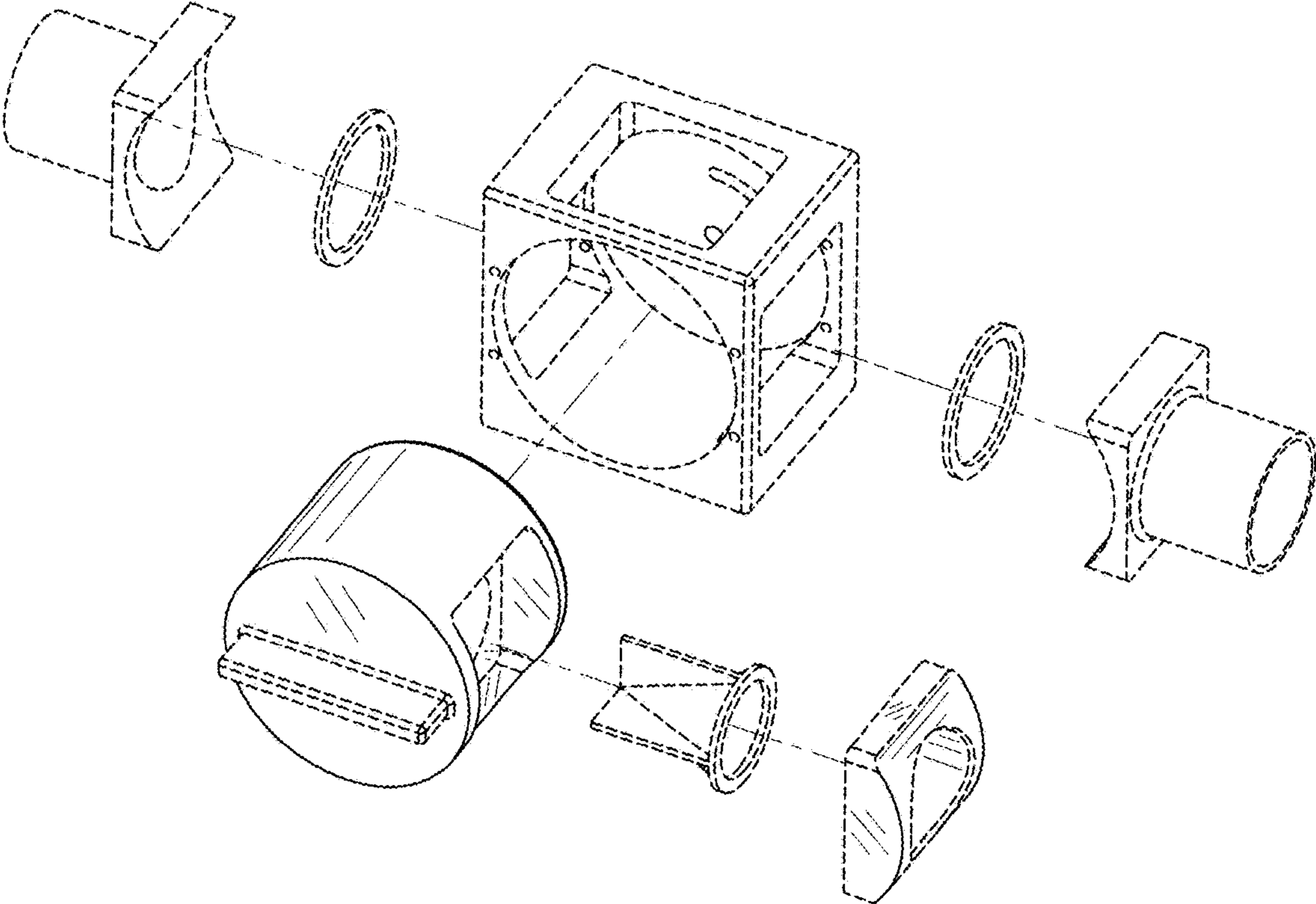


FIG. 23

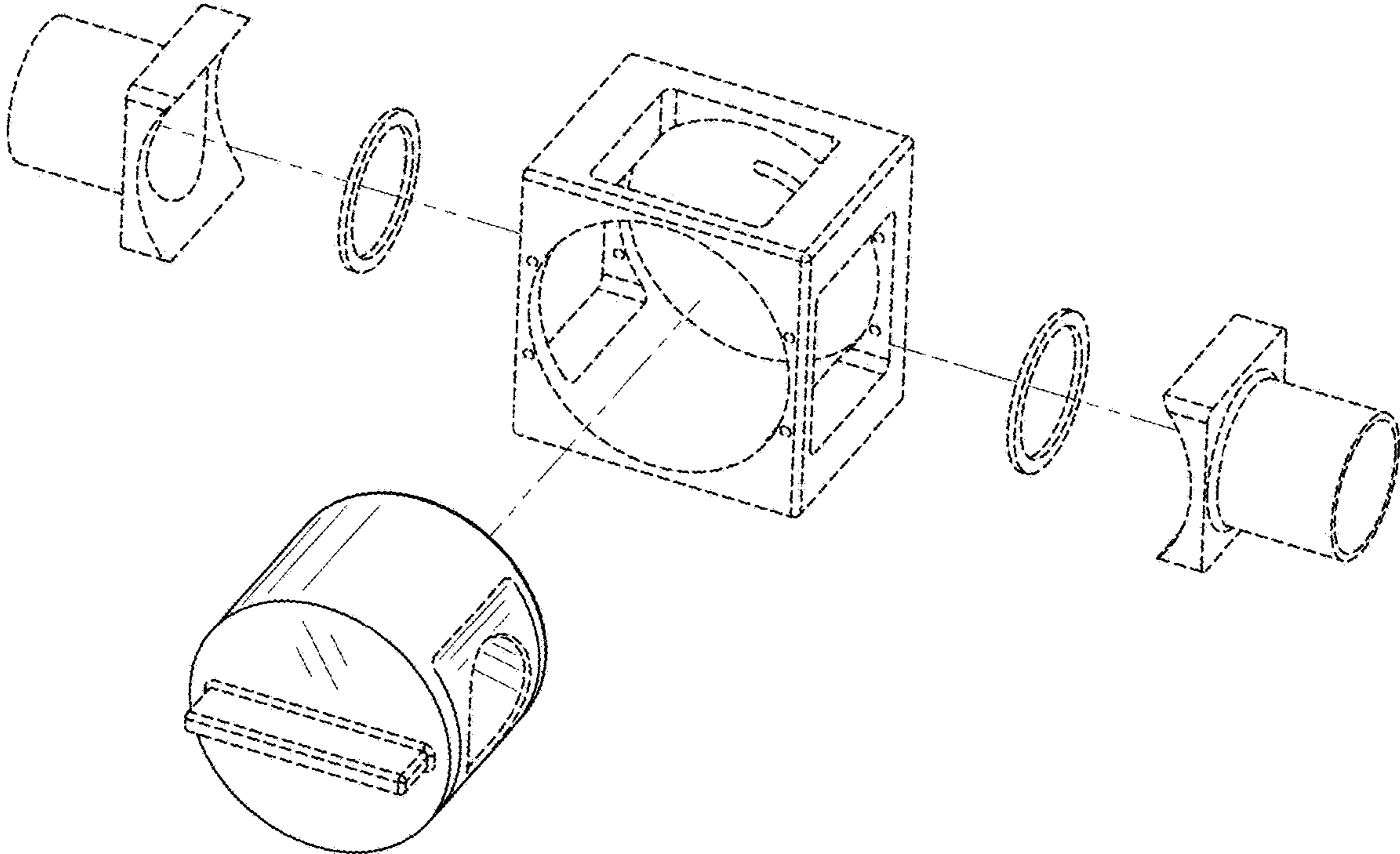


FIG. 24

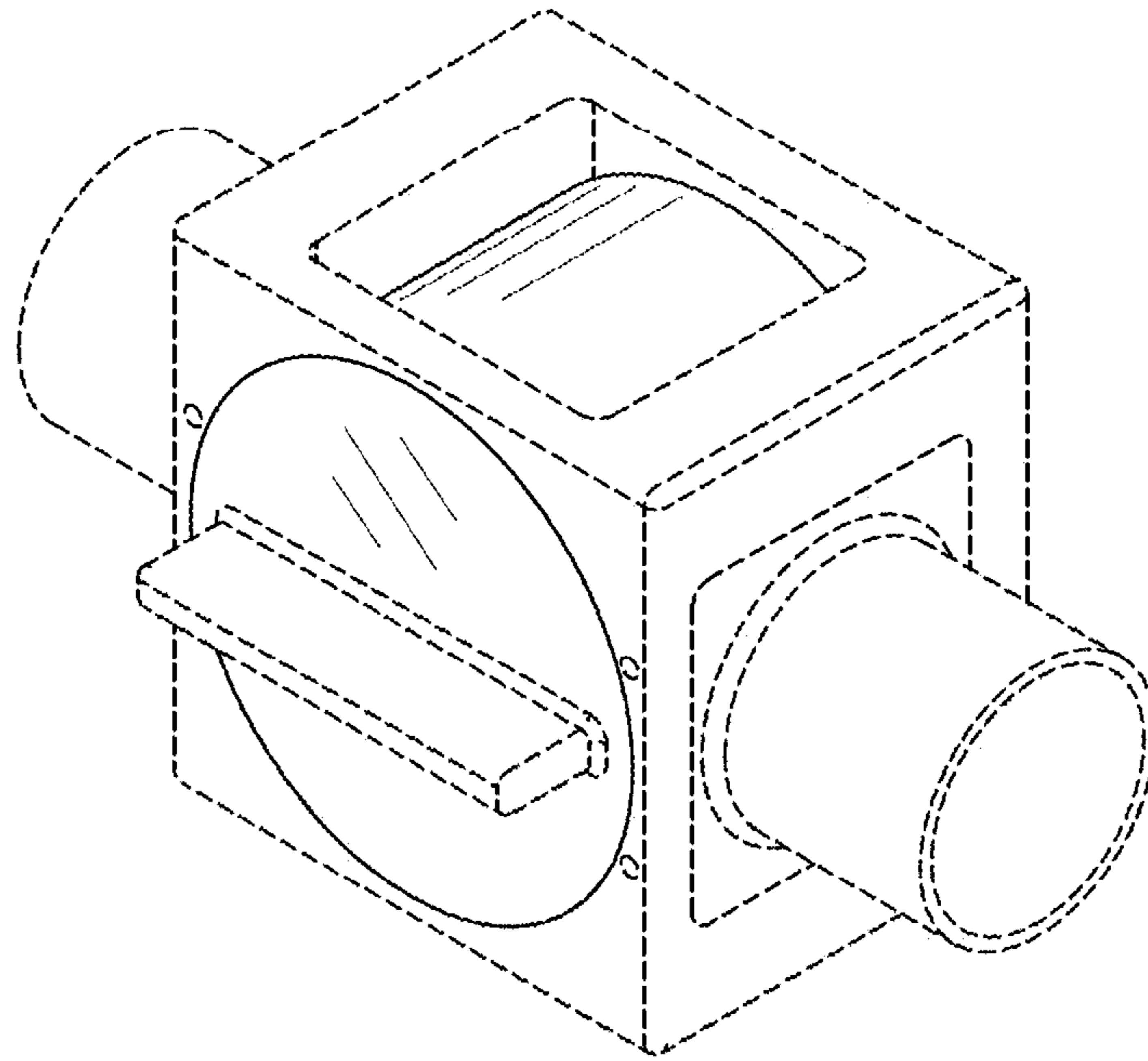


FIG. 25

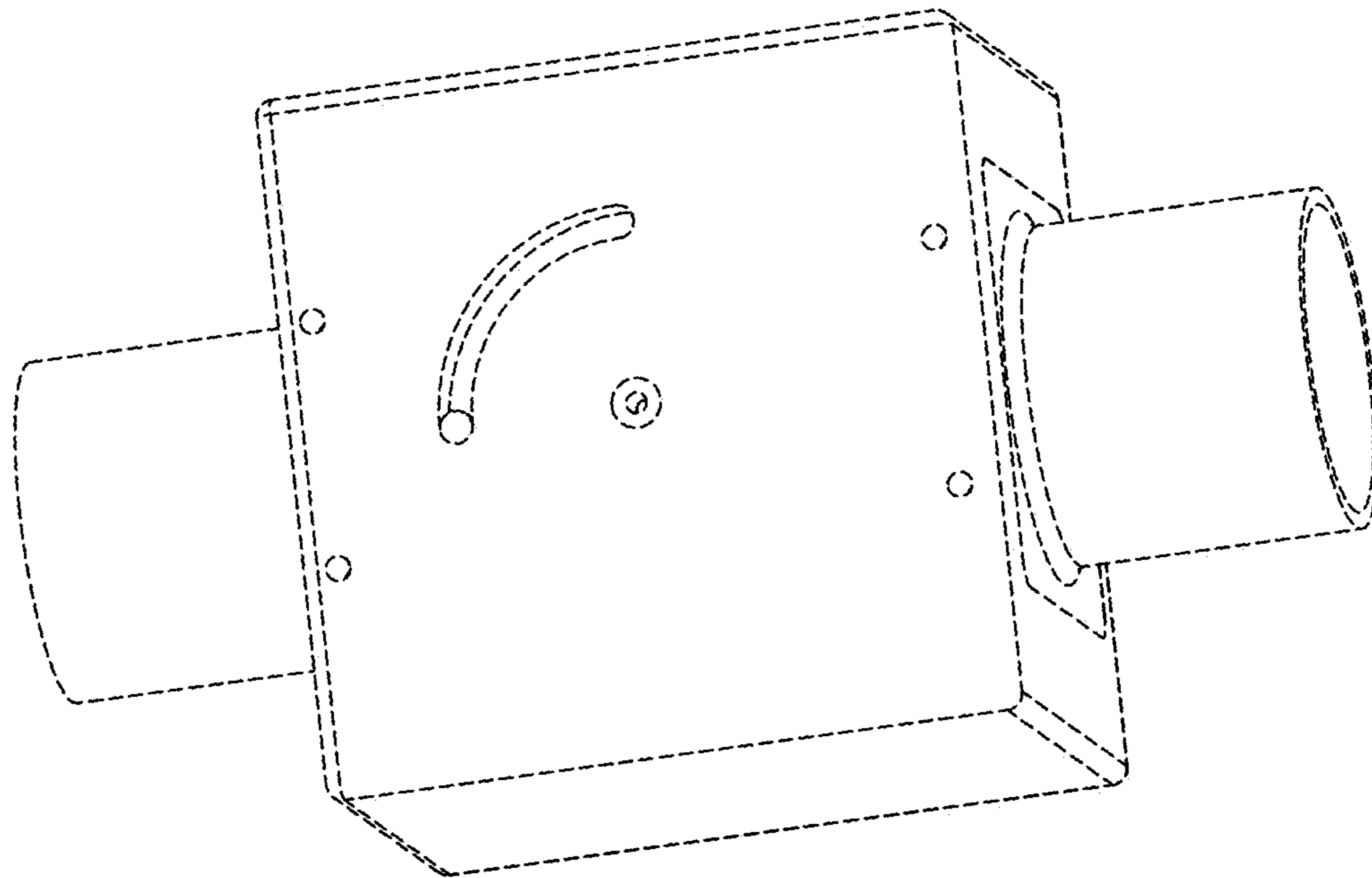


FIG. 26

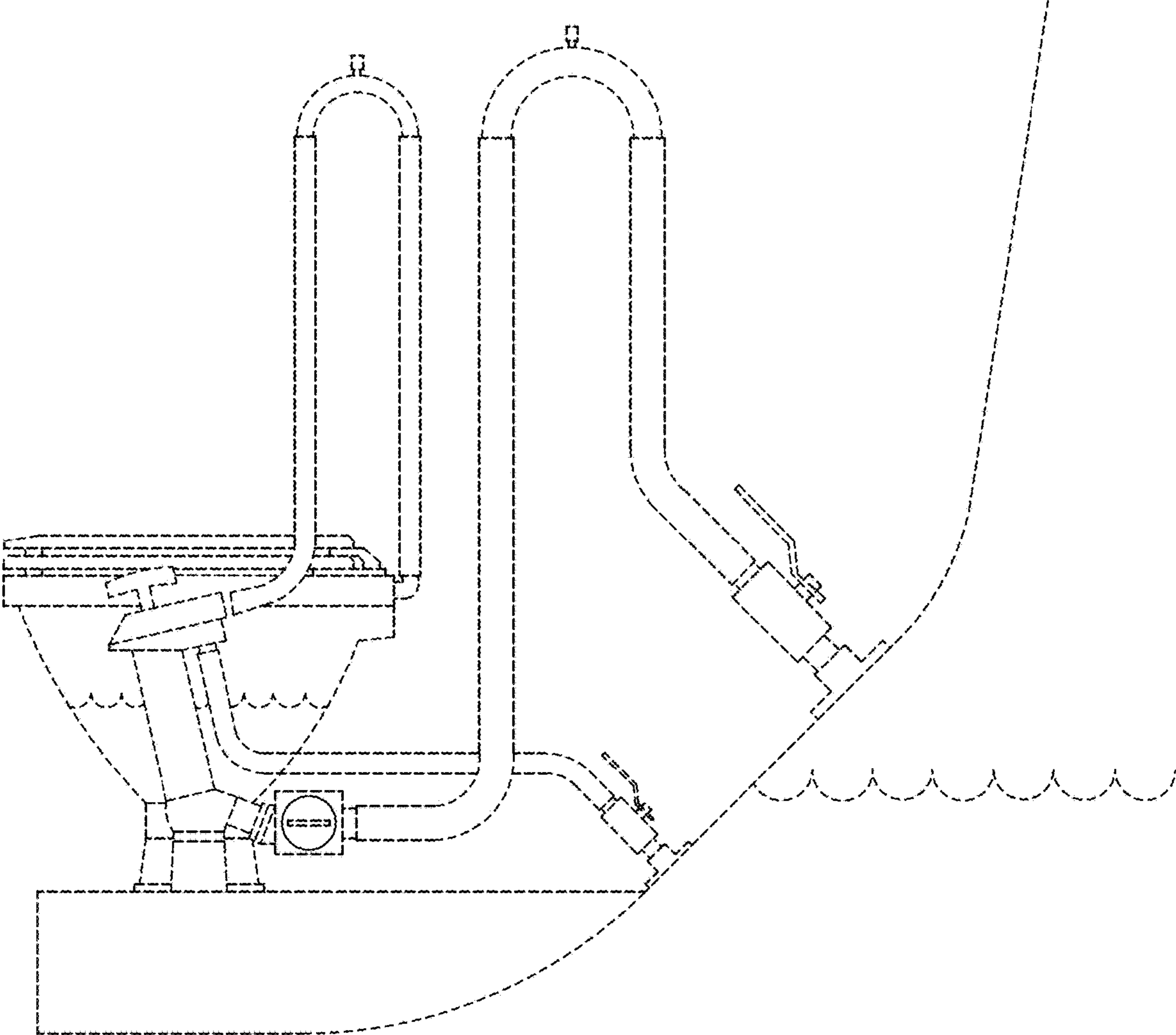


FIG. 27