



US00D954206S

(12) **United States Design Patent**
Li

(10) **Patent No.:** **US D954,206 S**

(45) **Date of Patent:** **** Jun. 7, 2022**

- (54) **OBLIQUE FAUCET BODY**
- (71) Applicant: **Luhua Li**, Guangdong (CN)
- (72) Inventor: **Luhua Li**, Guangdong (CN)
- (73) Assignee: **Shenzhen Yougao Kitchen Industry Co., Ltd.**, Shenzhen (CN)
- (**) Term: **15 Years**
- (21) Appl. No.: **29/799,523**
- (22) Filed: **Jul. 15, 2021**
- (51) **LOC (13) Cl.** **23-01**
- (52) **U.S. Cl.**
USPC **D23/242**
- (58) **Field of Classification Search**
USPC D23/238-243, 249
CPC Y10T 137/9464
See application file for complete search history.

D868,214 S *	11/2019	Chung	D23/241
D877,861 S	3/2020	Garland		
D896,925 S *	9/2020	Liu	D23/241
D934,390 S *	10/2021	Levi	D23/242

OTHER PUBLICATIONS

Vintage Bath and Tug: Bridge Faucets. 1-36 items. <https://www.vintagetub.com/kitchen/kitchen-faucets/bridge-faucets.html?p=2> (Year: 2022).*

* cited by examiner

Primary Examiner — Robert A Delehanty

(57) **CLAIM**

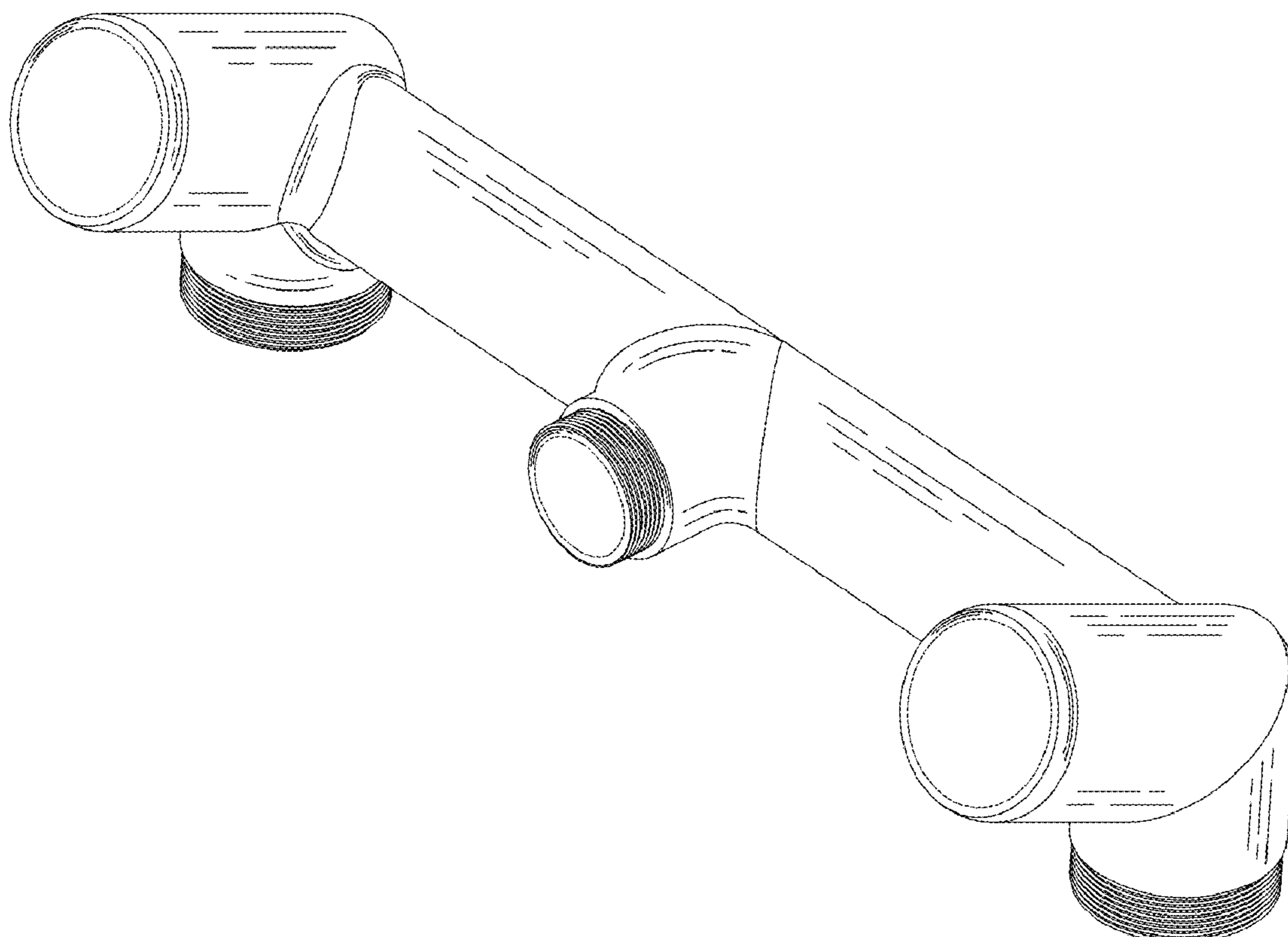
The ornamental design for an oblique faucet body, as shown and described.

DESCRIPTION

FIG. 1 is a perspective view of an oblique faucet body showing my new design;
FIG. 2 is a front elevational view thereof;
FIG. 3 is a rear elevational view thereof;
FIG. 4 is a left side elevational view thereof;
FIG. 5 is a right side elevational view thereof;
FIG. 6 is a top plan view thereof; and,
FIG. 7 is a bottom plan view thereof.
The broken lines throughout the drawing figures depict portions of the oblique faucet body that form no part of the claimed design.

1 Claim, 7 Drawing Sheets

- (56) **References Cited**
U.S. PATENT DOCUMENTS
- | | | | | |
|--------------|--------|---------|-------|---------|
| D428,473 S * | 7/2000 | Milrud | | D23/241 |
| D430,649 S * | 9/2000 | Milrud | | D23/249 |
| D522,095 S * | 5/2006 | Chung | | D23/249 |
| D522,622 S * | 6/2006 | Chung | | D23/249 |
| D523,929 S * | 6/2006 | Chung | | D23/242 |
| D584,383 S * | 1/2009 | Eilmus | | D23/241 |
| D654,570 S | 2/2012 | Yu | | |
| D839,993 S * | 2/2019 | Garland | | D23/242 |



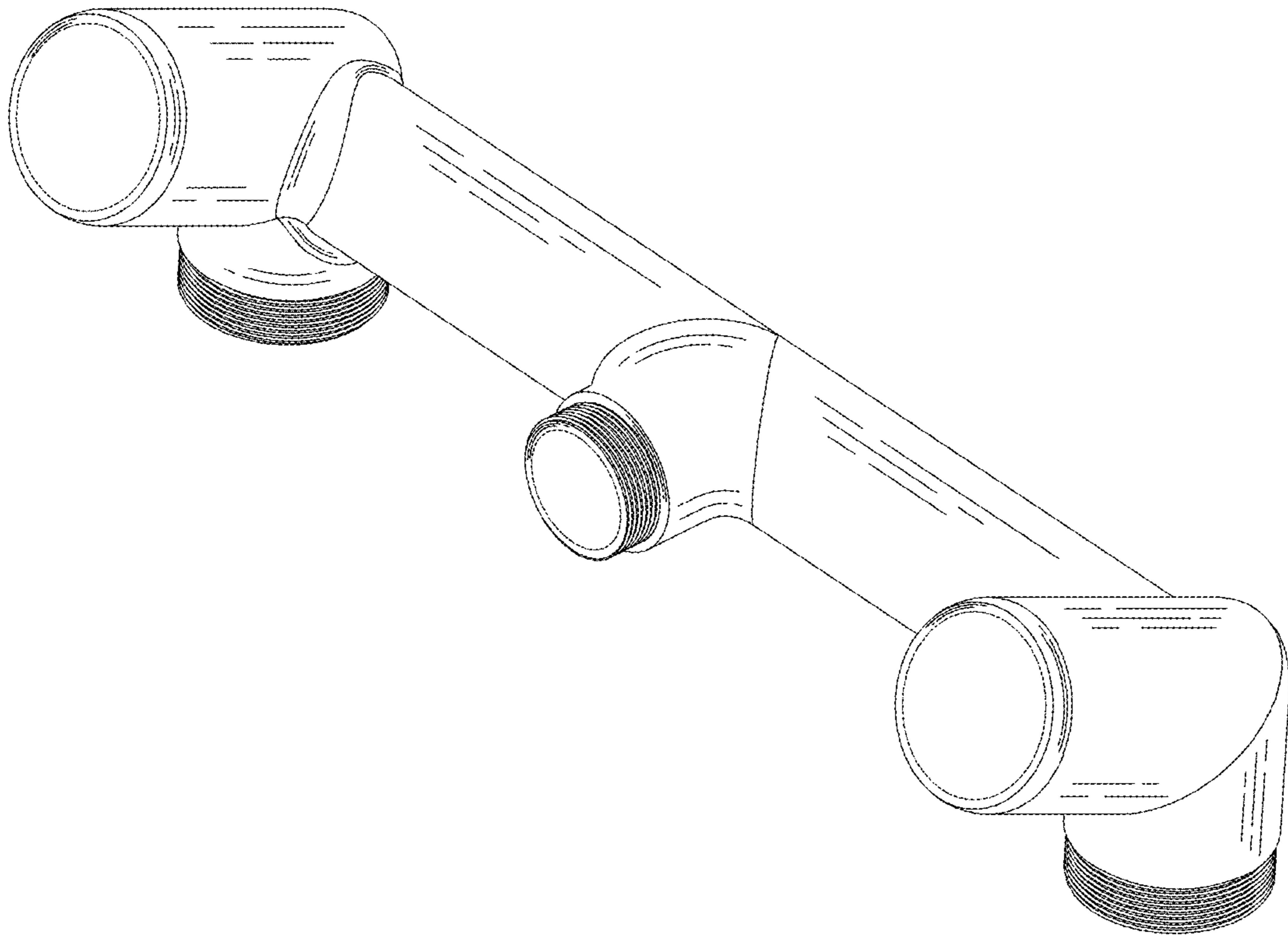


FIG.1

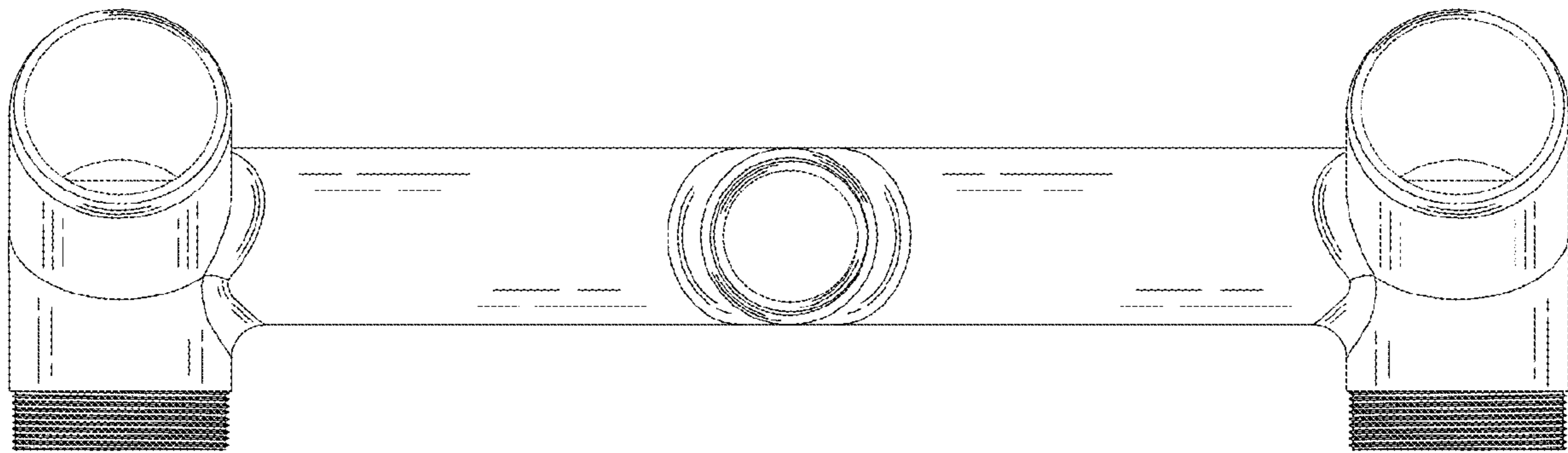


FIG.2

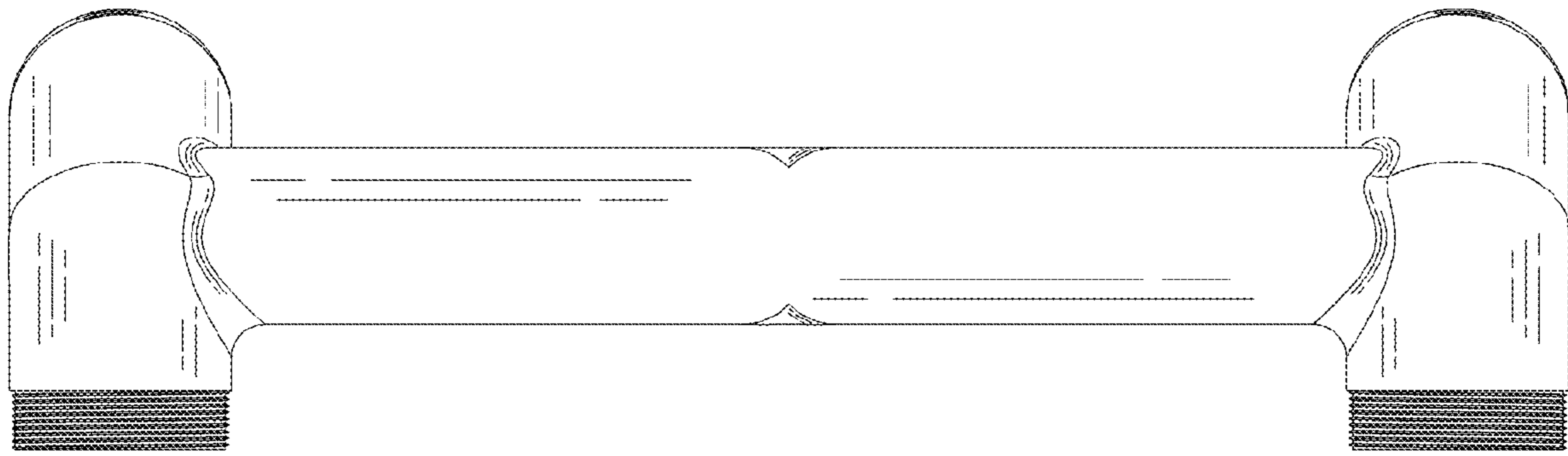


FIG.3

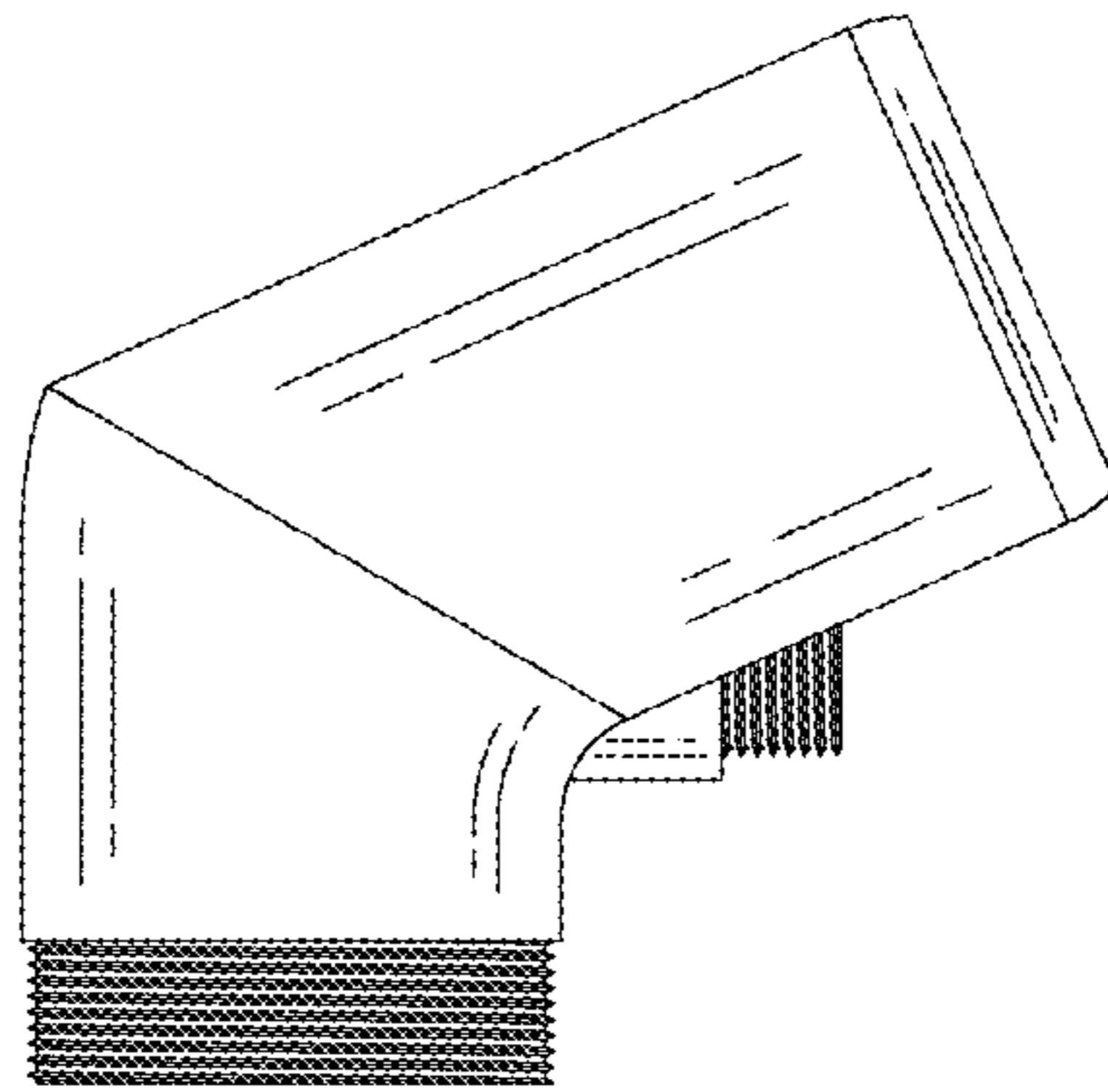


FIG.4

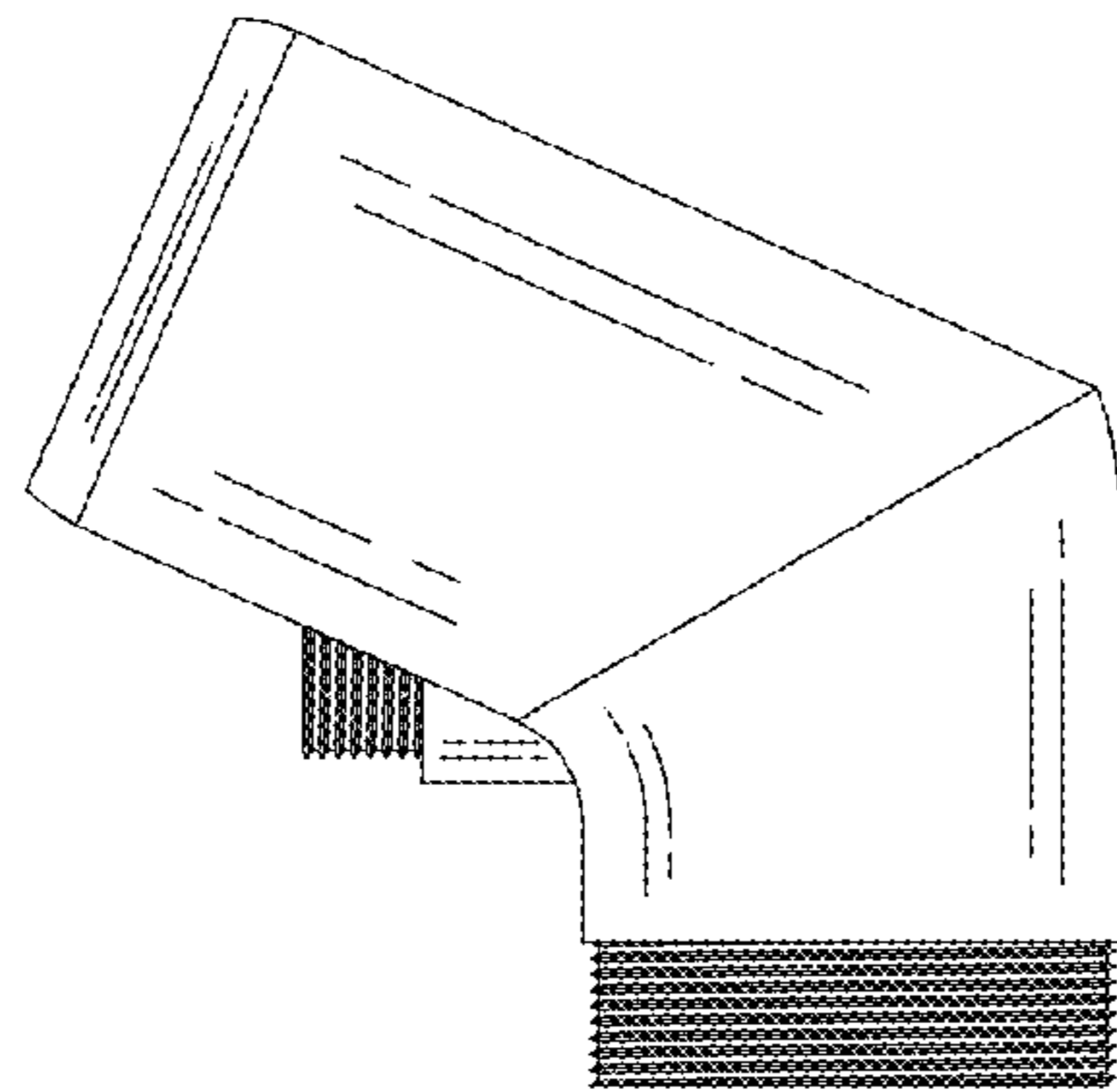


FIG.5

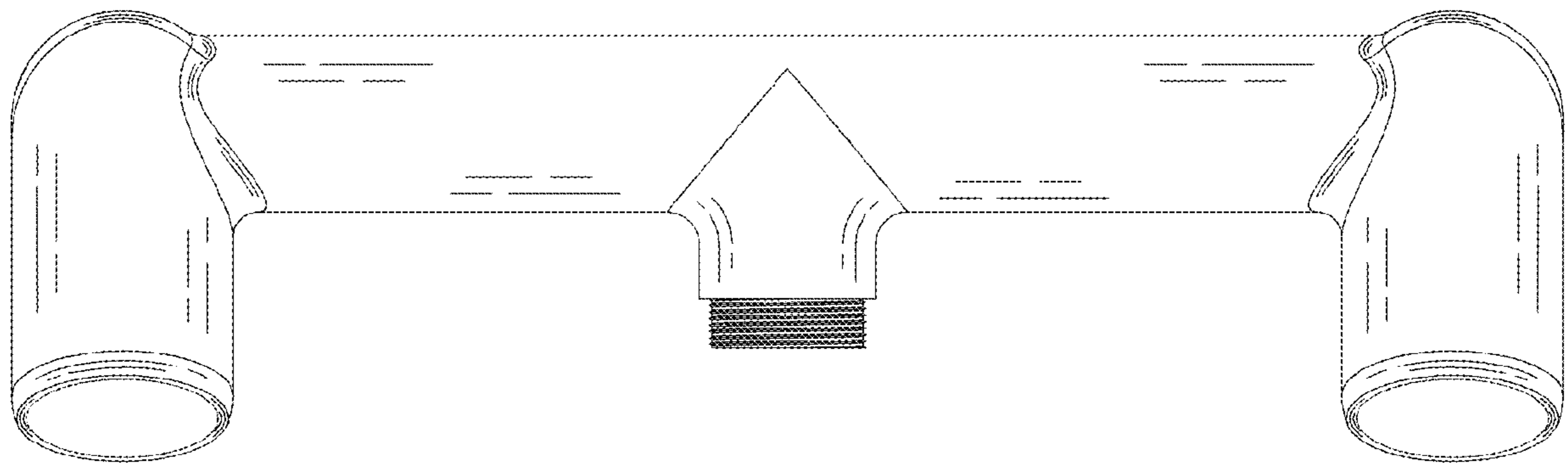


FIG.6

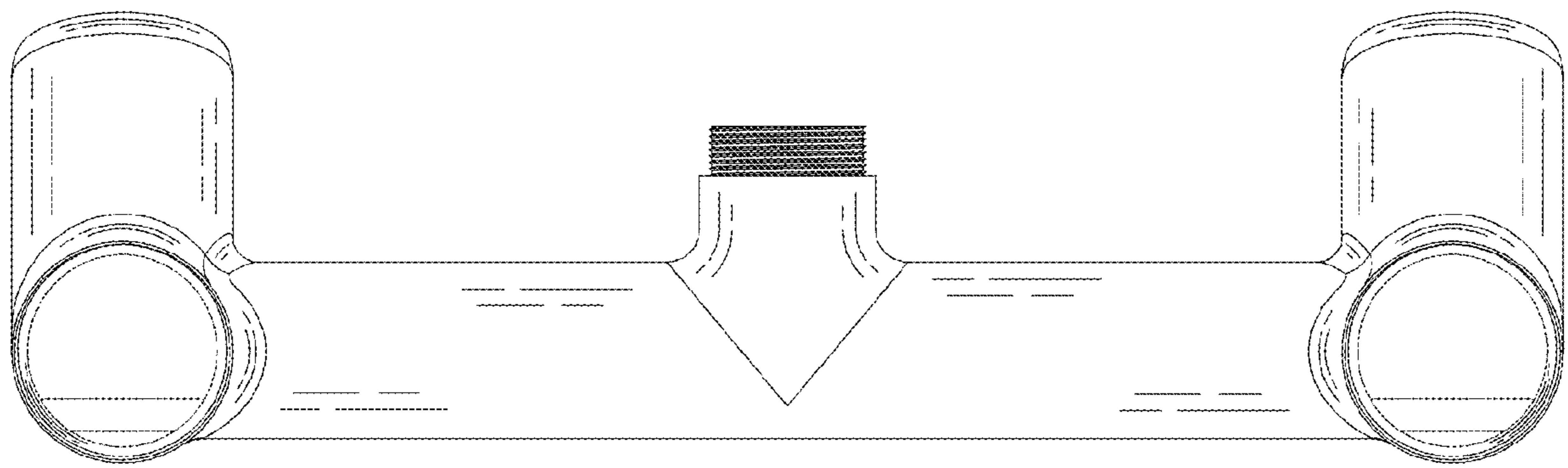


FIG.7