



US00D954205S

(12) **United States Design Patent**
Upadhyaya et al.

(10) **Patent No.:** **US D954,205 S**
(45) **Date of Patent:** **** Jun. 7, 2022**

(54) **FAUCET**

(71) Applicant: **DELTA FAUCET COMPANY,**
Indianapolis, IN (US)

(72) Inventors: **Alexandra Upadhyaya,** Midlothian, VA
(US); **Song Qing Liao,** Guangzhou
(CN)

(73) Assignee: **DELTA FAUCET COMPANY,**
Indianapolis, IN (US)

(**) Term: **15 Years**

(21) Appl. No.: **29/748,165**

(22) Filed: **Aug. 27, 2020**

(51) **LOC (13) Cl.** **23-01**

(52) **U.S. Cl.**

USPC **D23/242**

(58) **Field of Classification Search**
USPC D23/241–243, 252, 254–255, 257;
D8/307–308
See application file for complete search history.

(56) **References Cited**

U.S. PATENT DOCUMENTS

D445,482 S * 7/2001 Lord D23/241
D913,425 S * 3/2021 Eads D23/238
D919,757 S * 5/2021 Stoler D23/242

* cited by examiner

Primary Examiner — Robert A Delehanty

(74) *Attorney, Agent, or Firm* — Nirav D. Parikh; Edgar
A. Zarins

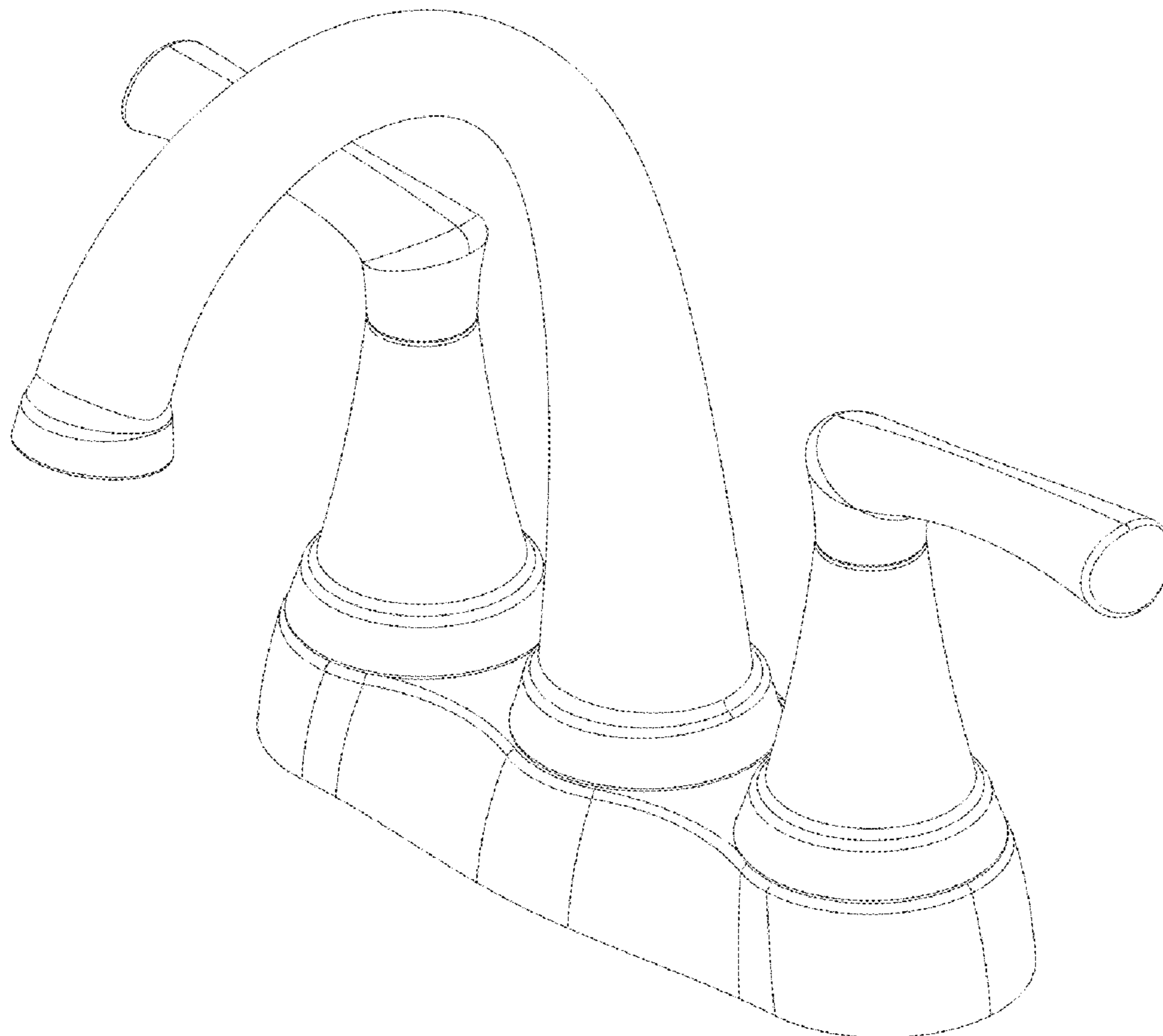
(57) **CLAIM**

The ornamental design for a faucet, as shown and described.

DESCRIPTION

FIG. 1 is a front perspective view of a faucet showing my
new design;
FIG. 2 is a rear perspective view thereof;
FIG. 3 is a front elevational view thereof;
FIG. 4 is a left side view thereof;
FIG. 5 is a rear view thereof;
FIG. 6 is a right side view thereof; and,
FIG. 7 is a top plan view thereof.

1 Claim, 4 Drawing Sheets



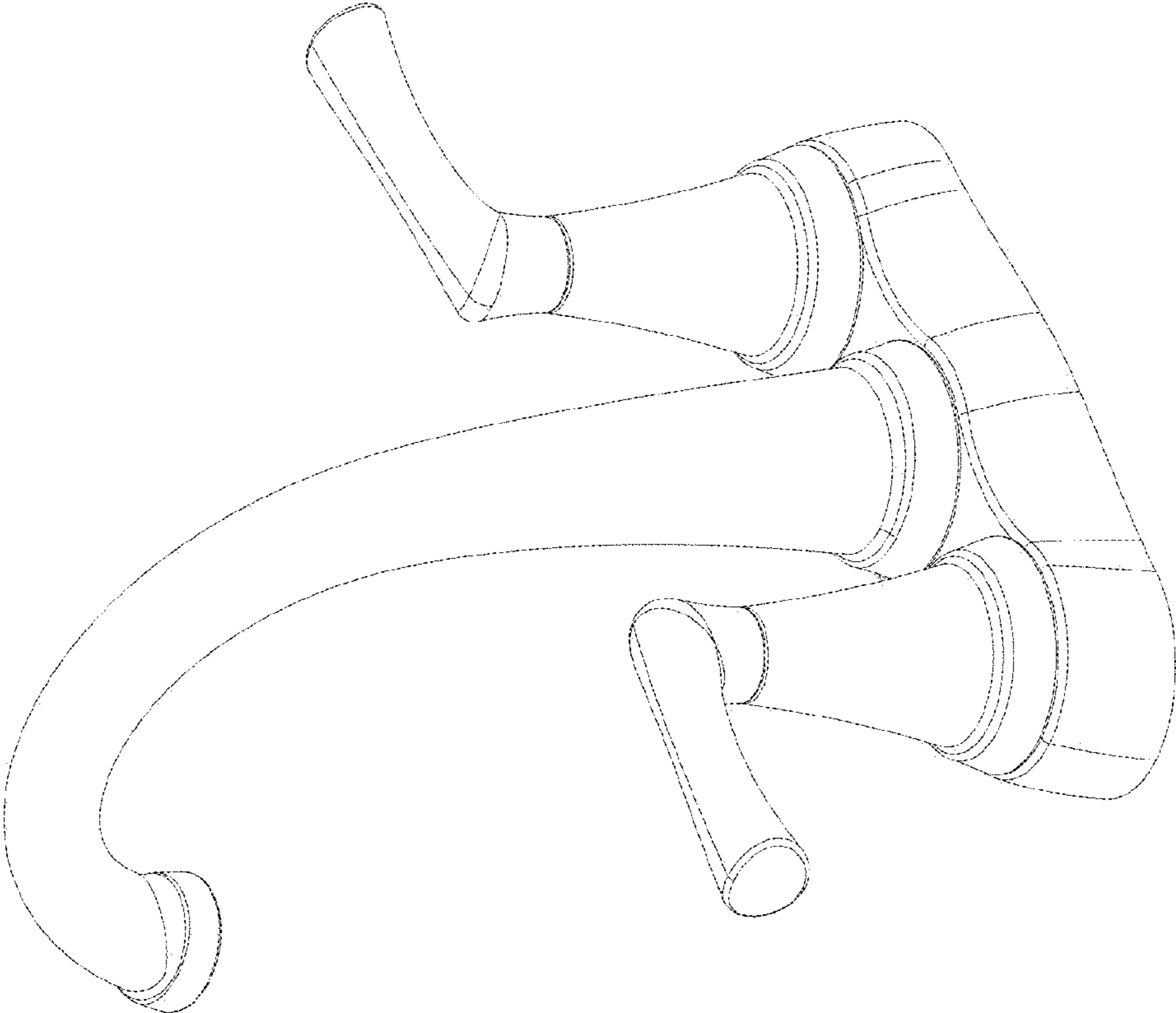


FIG - 2

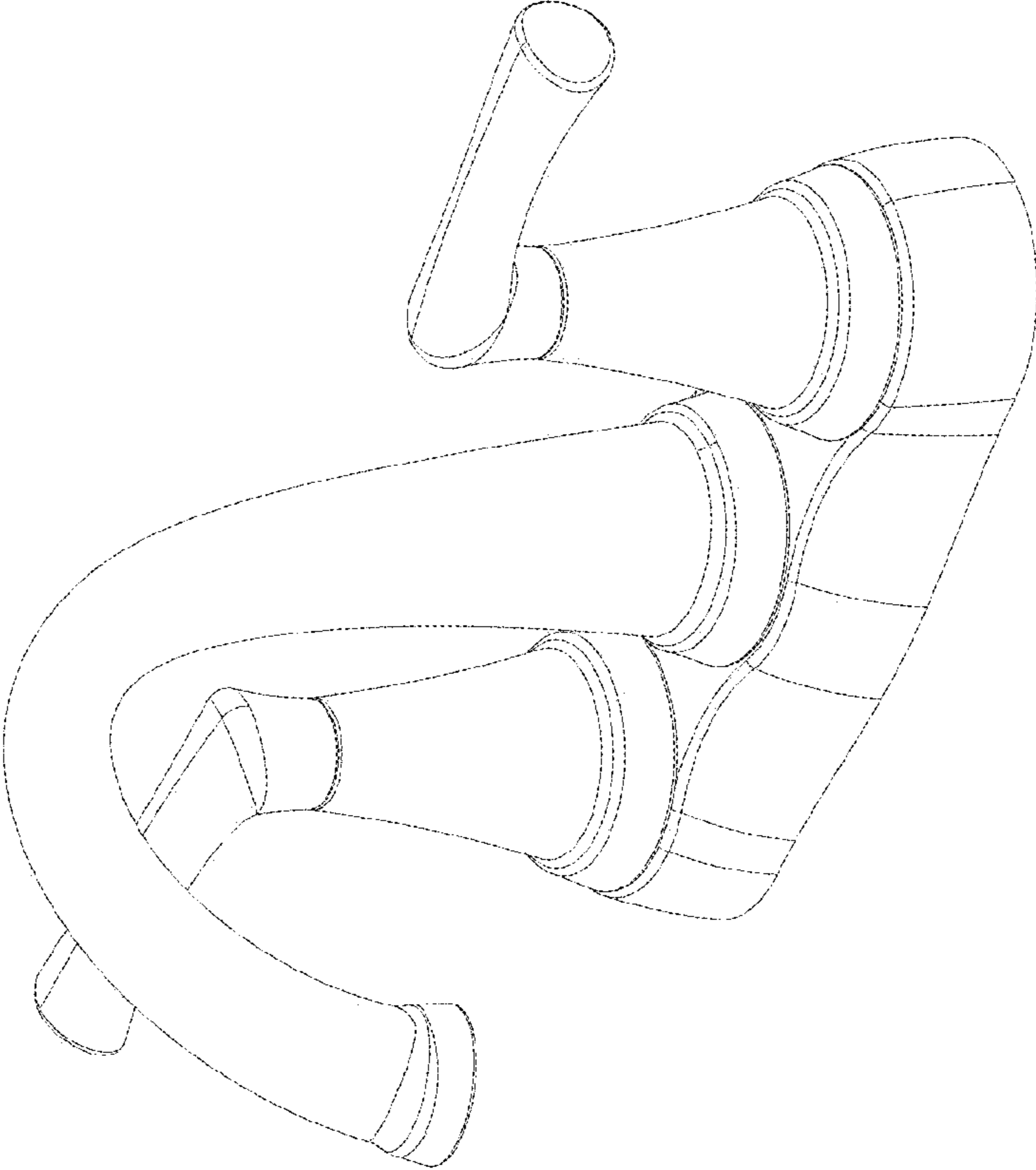


FIG - 1

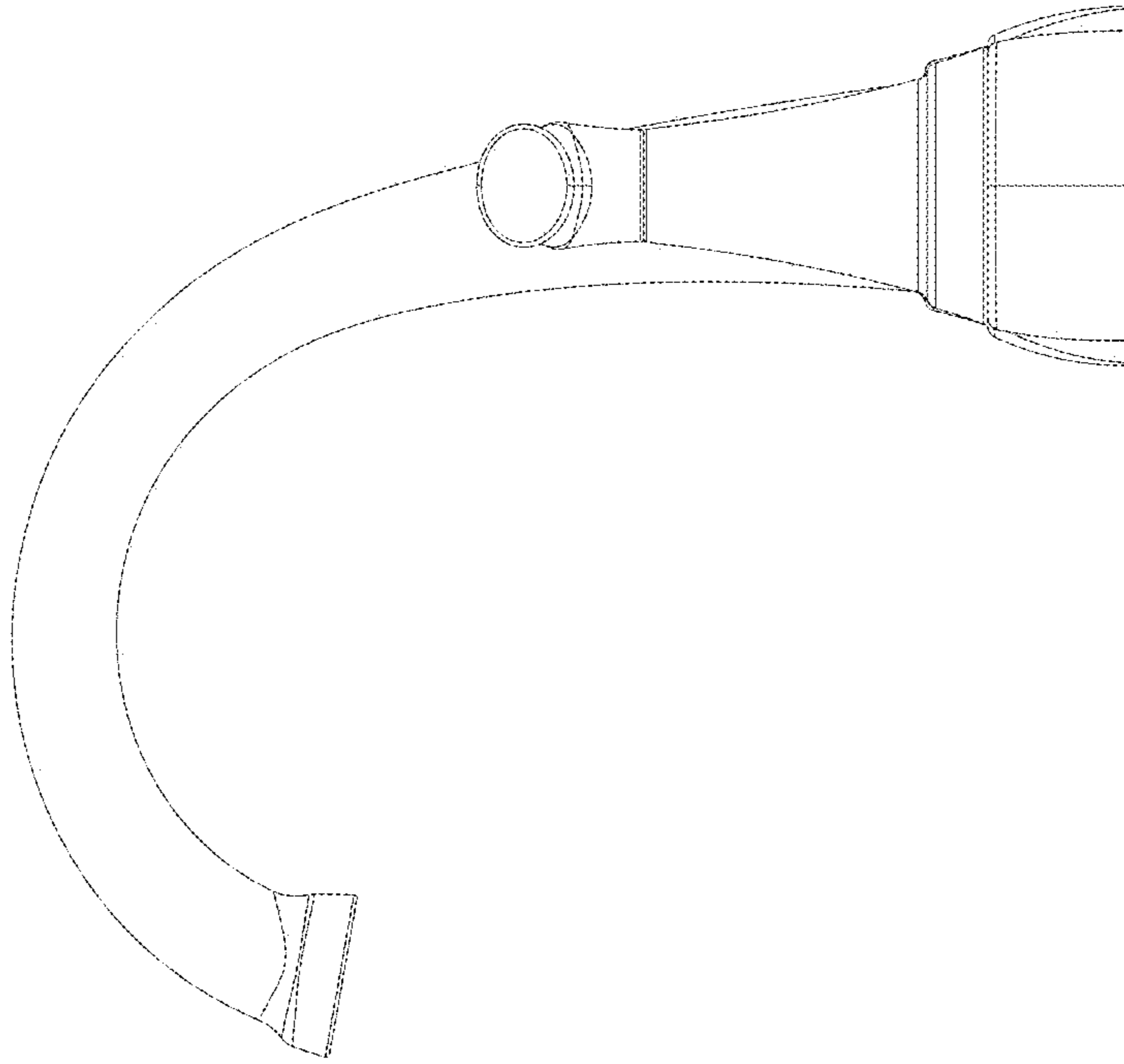


FIG - 4

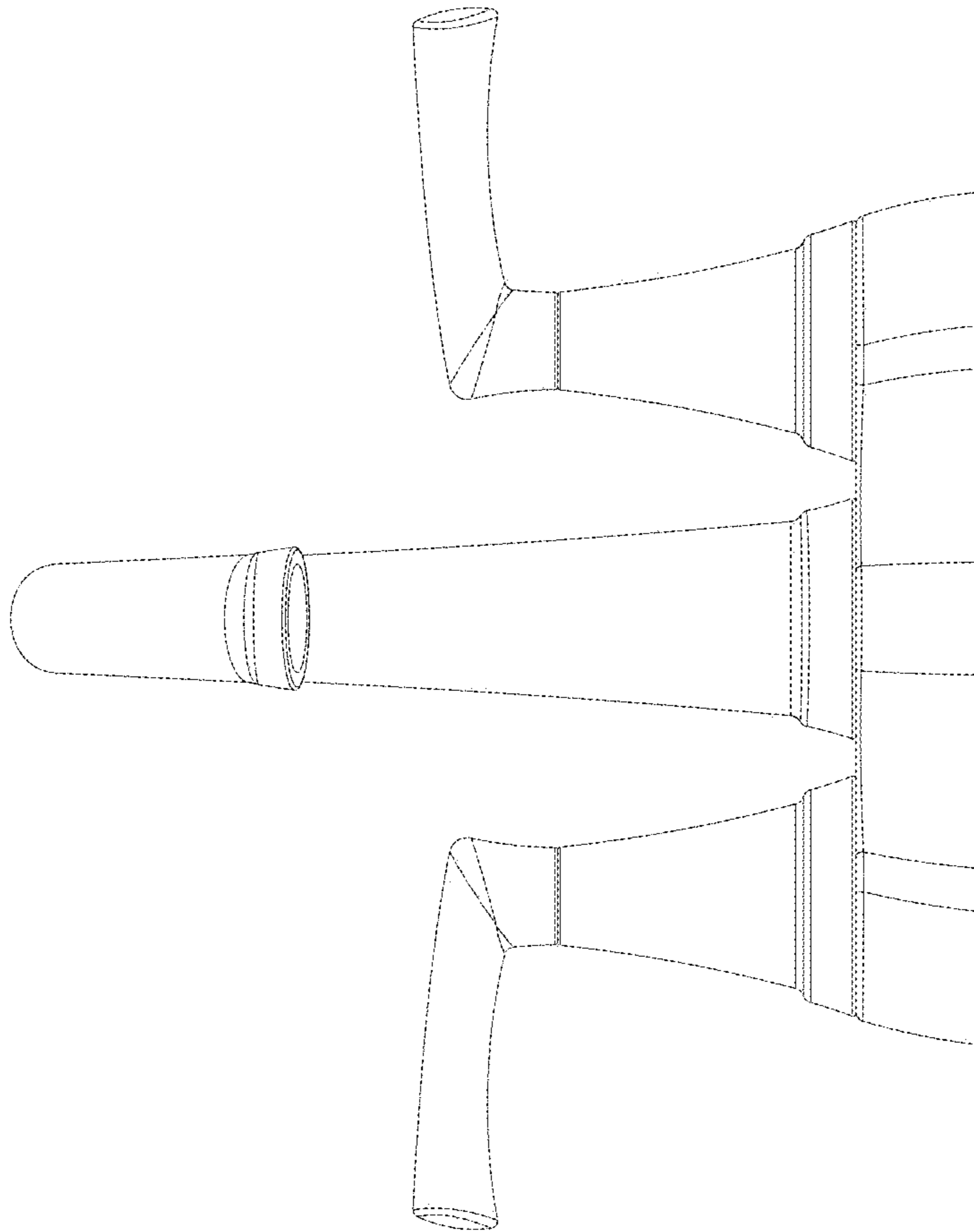


FIG - 3

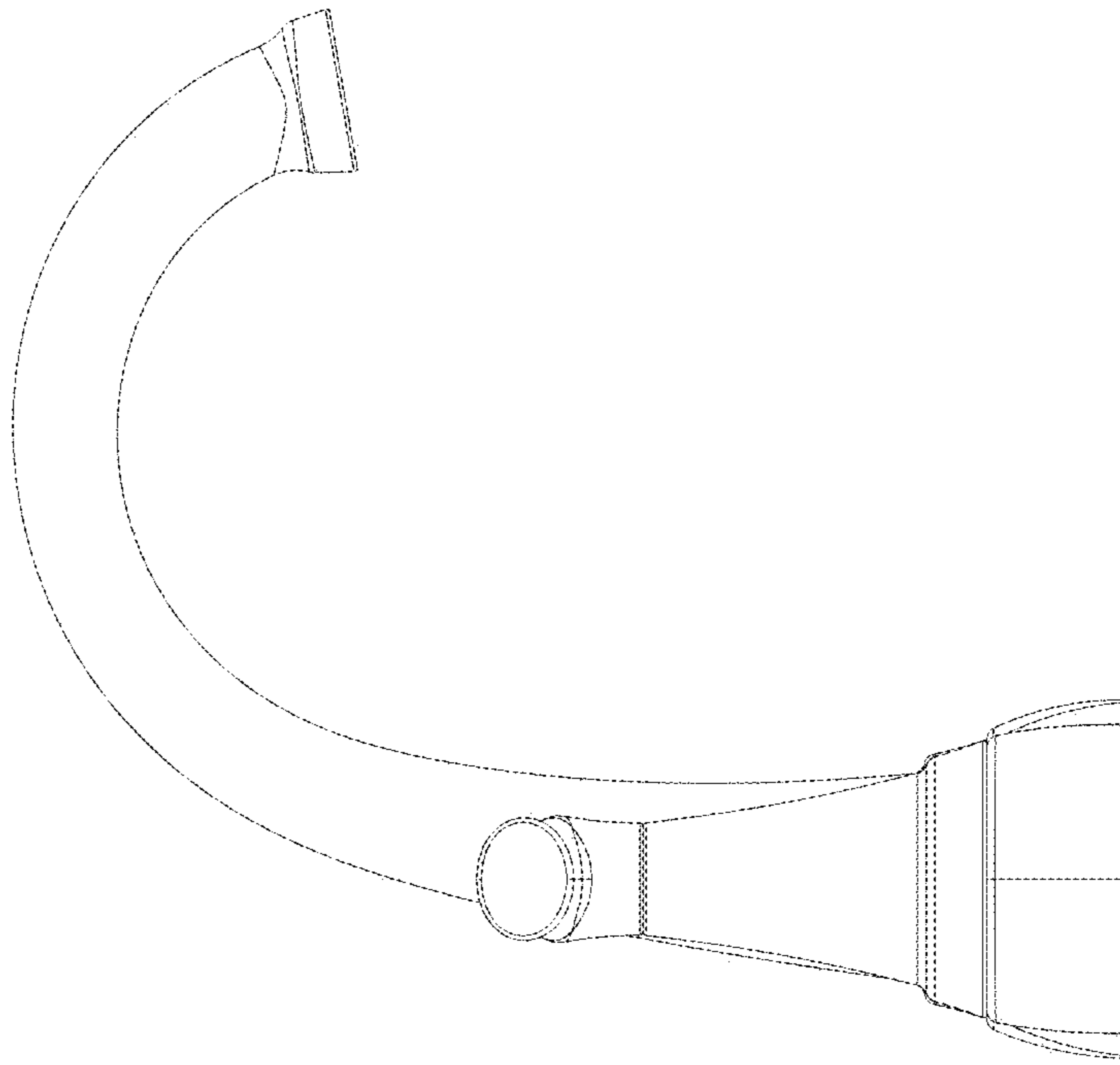


FIG - 6

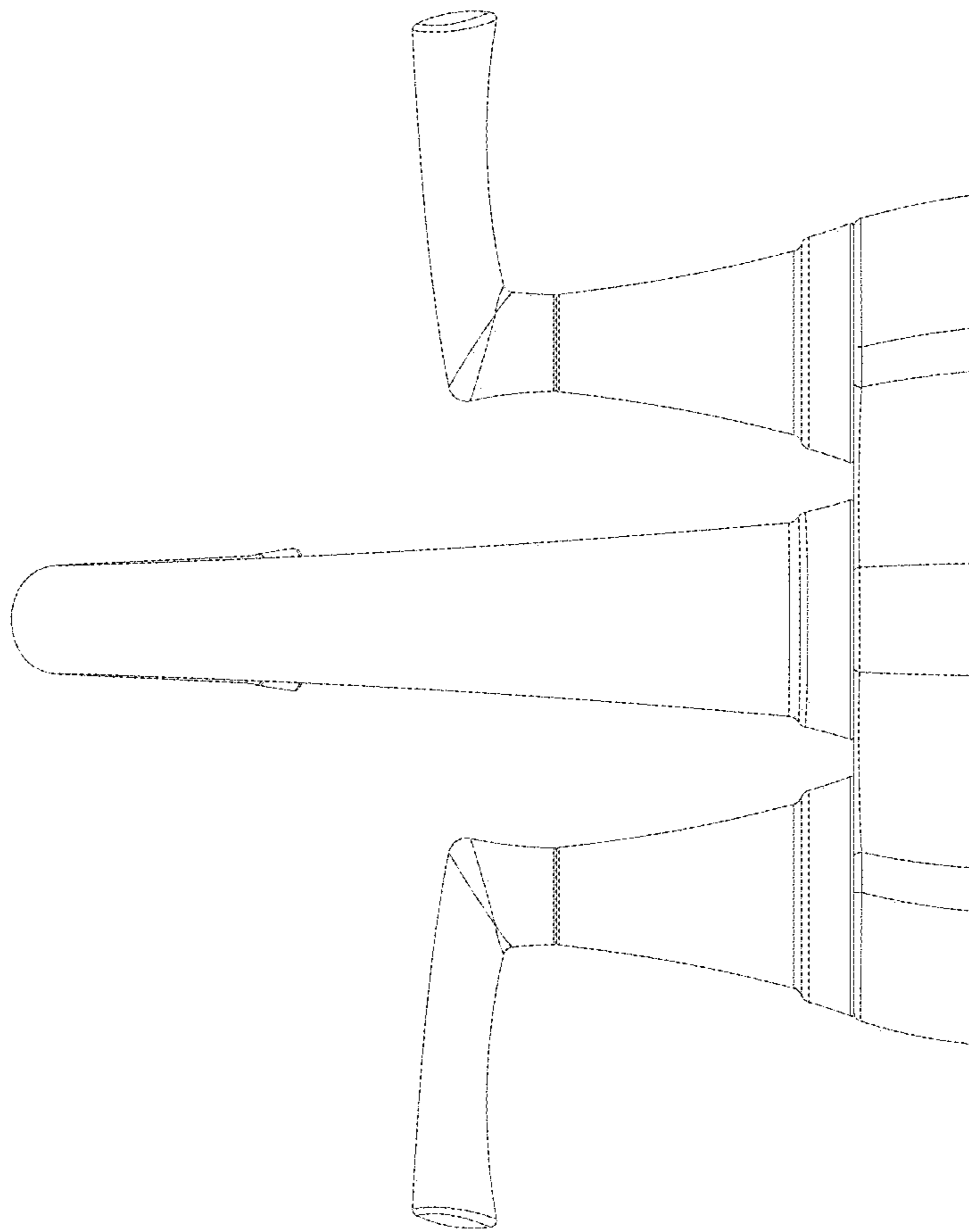


FIG - 5

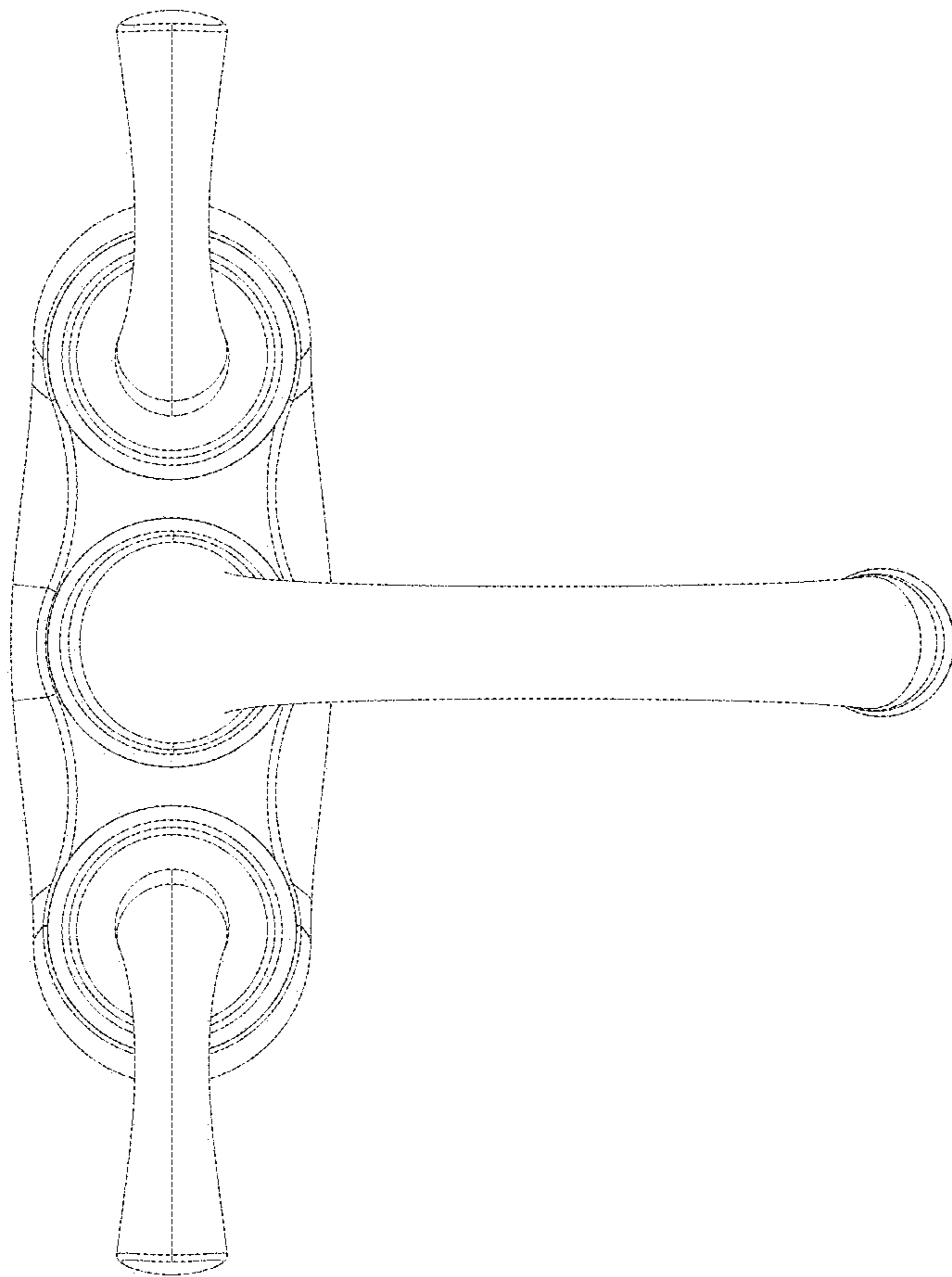


FIG - 7