



US00D954204S

(12) **United States Design Patent**
Lazarini

(10) **Patent No.:** **US D954,204 S**
(45) **Date of Patent:** **** Jun. 7, 2022**

- (54) **FAUCET**
- (71) Applicant: **DELTA FAUCET COMPANY,**
Indianapolis, IN (US)
- (72) Inventor: **Alejandra Lazarini,** Carmel, IN (US)
- (73) Assignee: **DELTA FAUCET COMPANY,**
Indianapolis, IN (US)
- (**) Term: **15 Years**
- (21) Appl. No.: **29/732,630**
- (22) Filed: **Apr. 27, 2020**
- (51) **LOC (13) Cl.** **23-01**
- (52) **U.S. Cl.**
USPC **D23/242**
- (58) **Field of Classification Search**
USPC D23/257, 249, 254, 259, 255, 233, 234,
D23/235, 236, 237, 238, 239, 240, 241,
D23/242, 243, 244, 245, 246, 247, 248,
D23/250, 251, 252, 253, 256
CPC E03C 1/01; E03C 1/0409; E03C 1/025;
E03C 1/0408; Y10T 137/5339; Y10T
137/6014; Y10T 137/6021
See application file for complete search history.

D522,102 S *	5/2006	Fritz	D23/252
D564,073 S *	3/2008	Shieh	D23/238
D580,522 S *	11/2008	Zhang	D23/252
D699,970 S *	2/2014	Sedwick	D6/524
D755,932 S *	5/2016	Fritz	D23/242
D791,280 S *	7/2017	Fritz	D23/242
D793,534 S *	8/2017	Fritz	D23/242
D797,248 S *	9/2017	Schaubach	D23/242
D797,258 S *	9/2017	Schaubach	D23/255
D797,897 S *	9/2017	Fritz	D23/255

OTHER PUBLICATIONS

Amazon, TEEKIA 2 Handle Bathroom Faucet, posted Apr. 7, 2020, [online], [visited Jun. 2, 2021]. Internet, <URL: <https://www.amazon.co.uk/TEEKIA-Bathroom-Centerset-Lead-Free-Brushed/dp/B087M4GM85/ref>> (Year: 2020).*

* cited by examiner

Primary Examiner — Samantha Wood
(74) *Attorney, Agent, or Firm* — Nirav D. Parikh; Edgar A. Zarins

(57) **CLAIM**

The ornamental design for a faucet, as shown and described.

DESCRIPTION

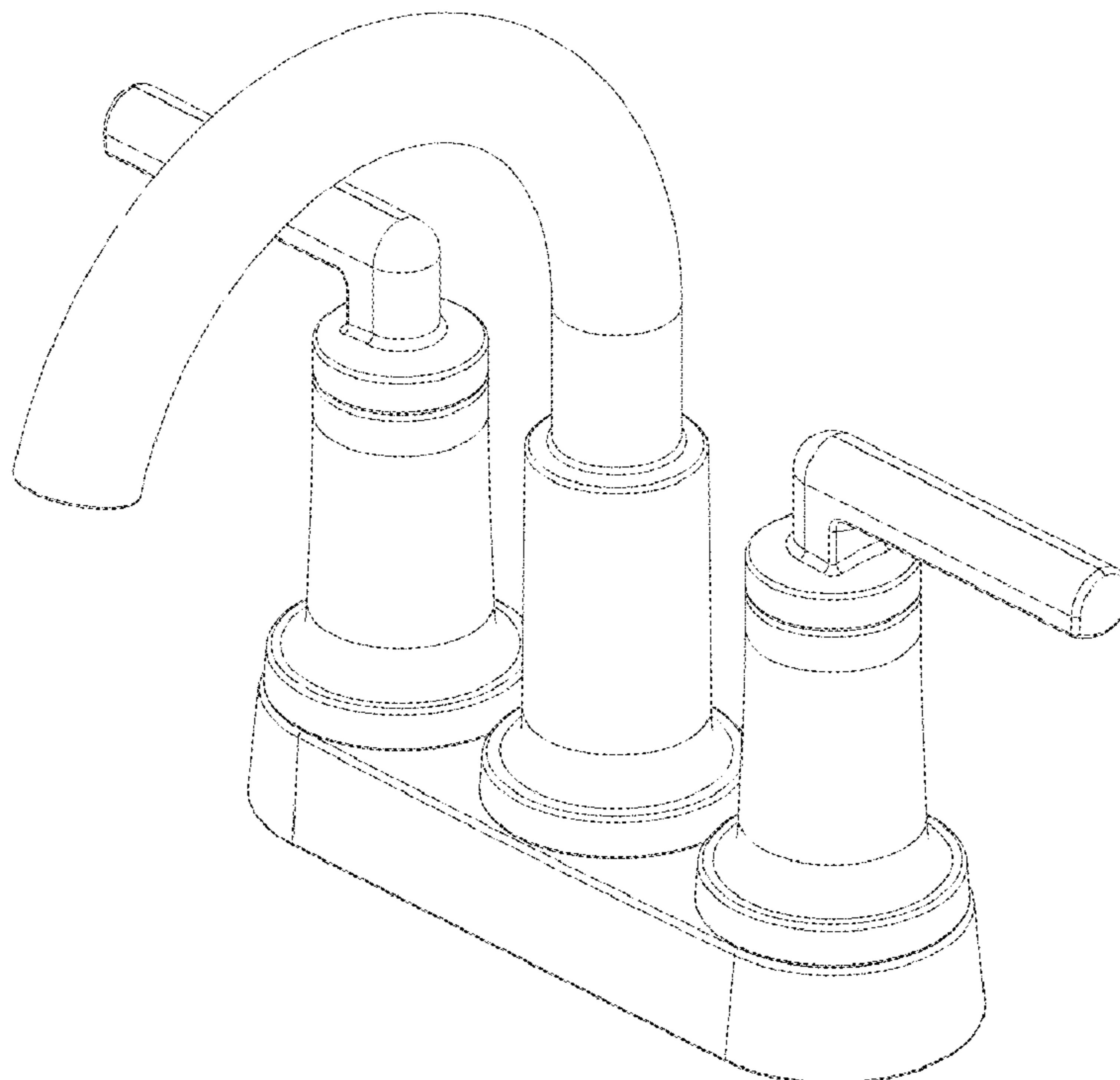
FIG. 1 is a front perspective view of a faucet showing my new design;
FIG. 2 is a rear perspective view thereof;
FIG. 3 is a front elevational view thereof;
FIG. 4 is a left side view thereof;
FIG. 5 is a rear elevational view thereof;
FIG. 6 is a right side view thereof; and,
FIG. 7 is a top plan view thereof.

1 Claim, 4 Drawing Sheets

(56) **References Cited**

U.S. PATENT DOCUMENTS

D200,390 S *	2/1965	Staat	D23/238
D346,012 S *	4/1994	McKeone	D23/252
D373,179 S *	8/1996	Sieger	D23/241
D447,541 S *	9/2001	Dretzka	D23/241
D479,740 S *	9/2003	Citterio	D23/242



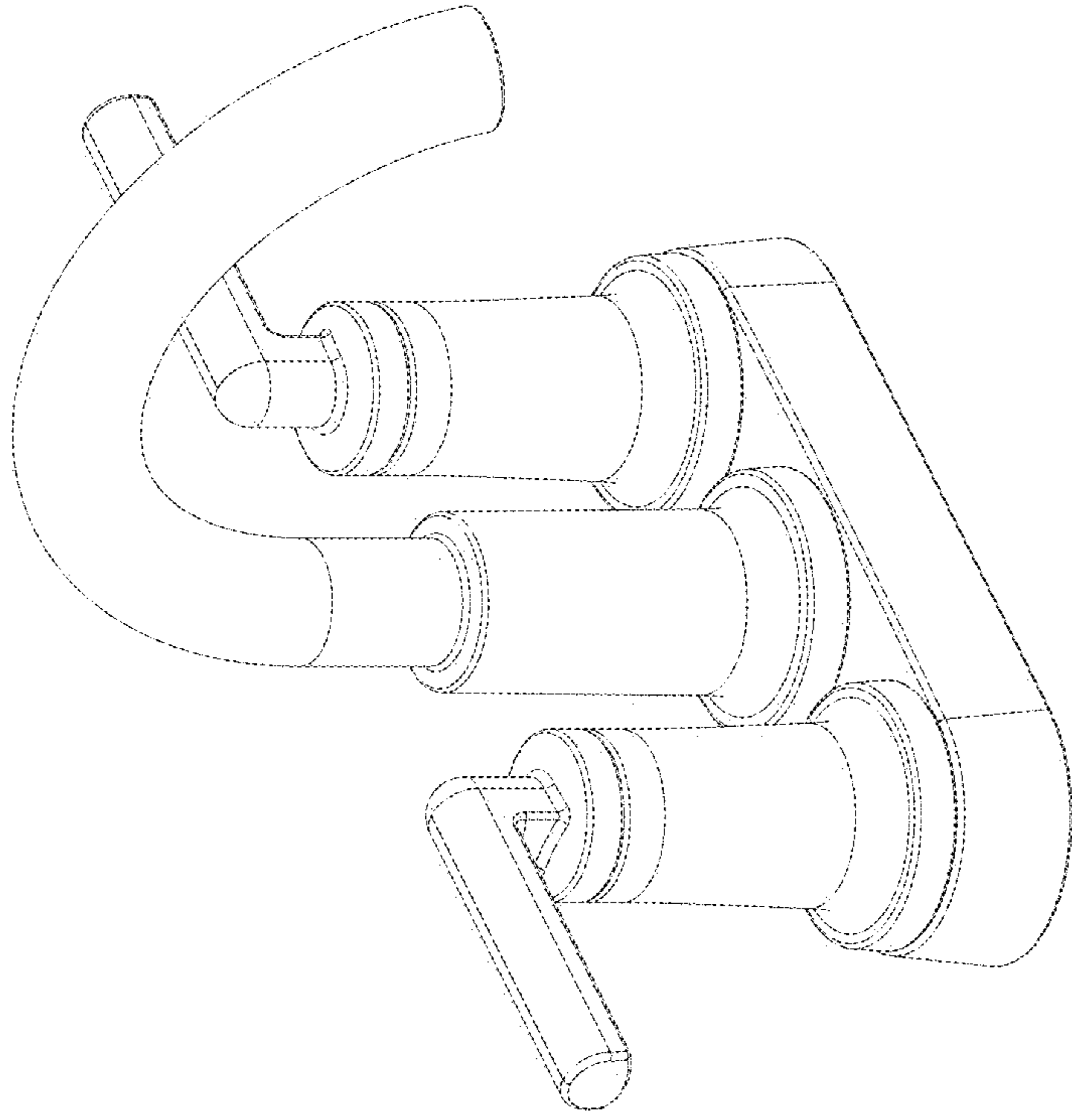


FIG - 2

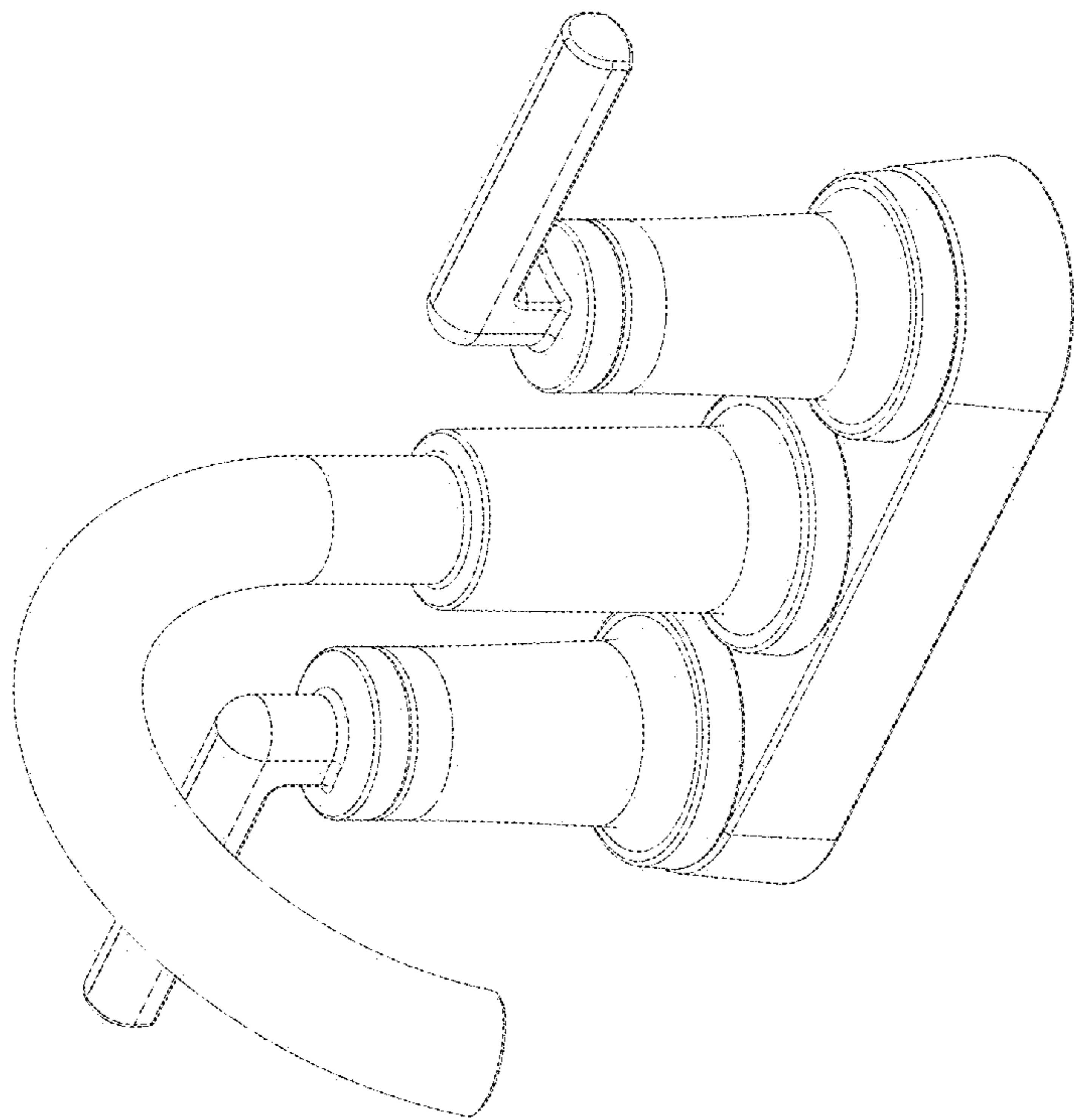


FIG - 1

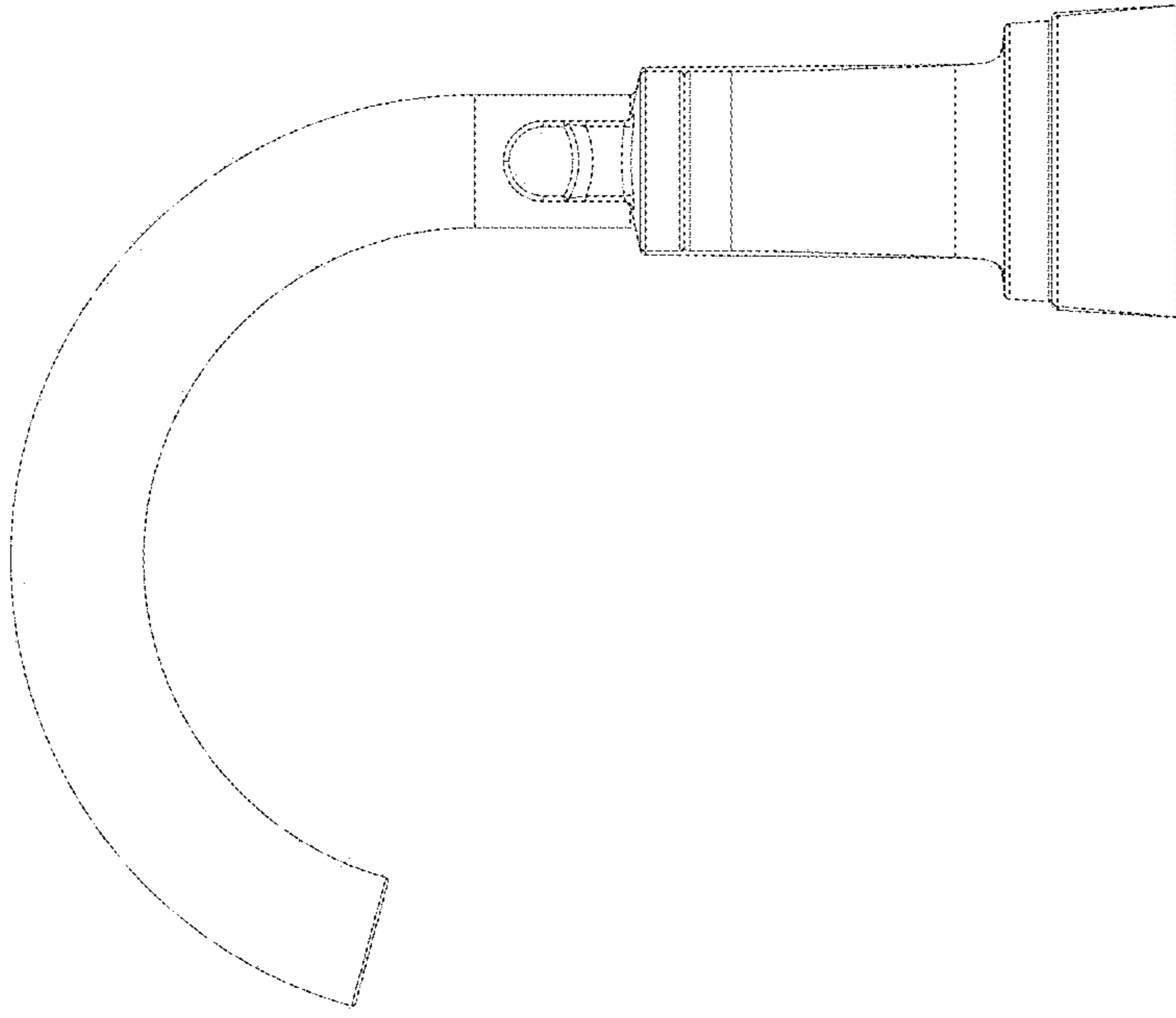


FIG - 4

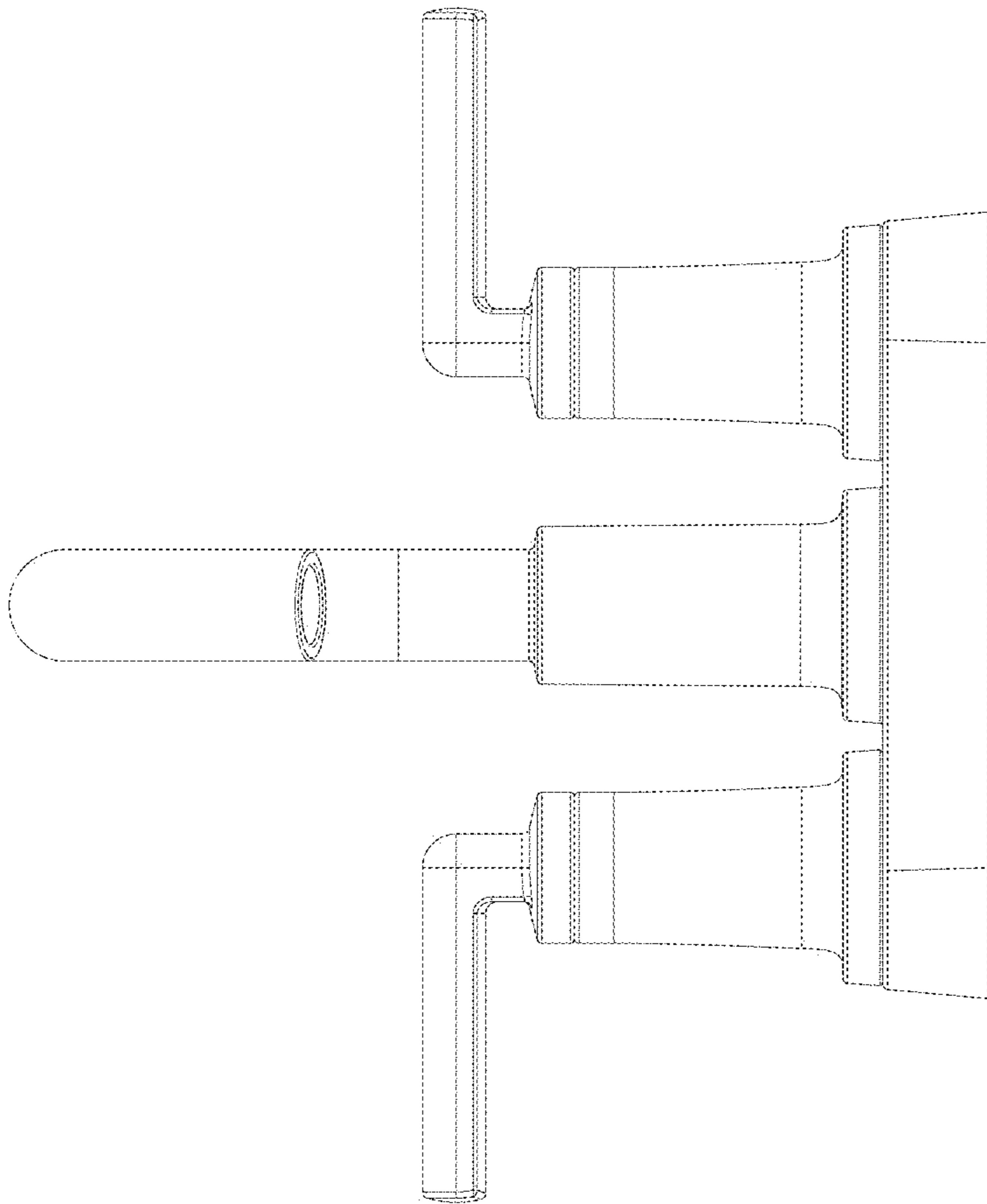


FIG - 3

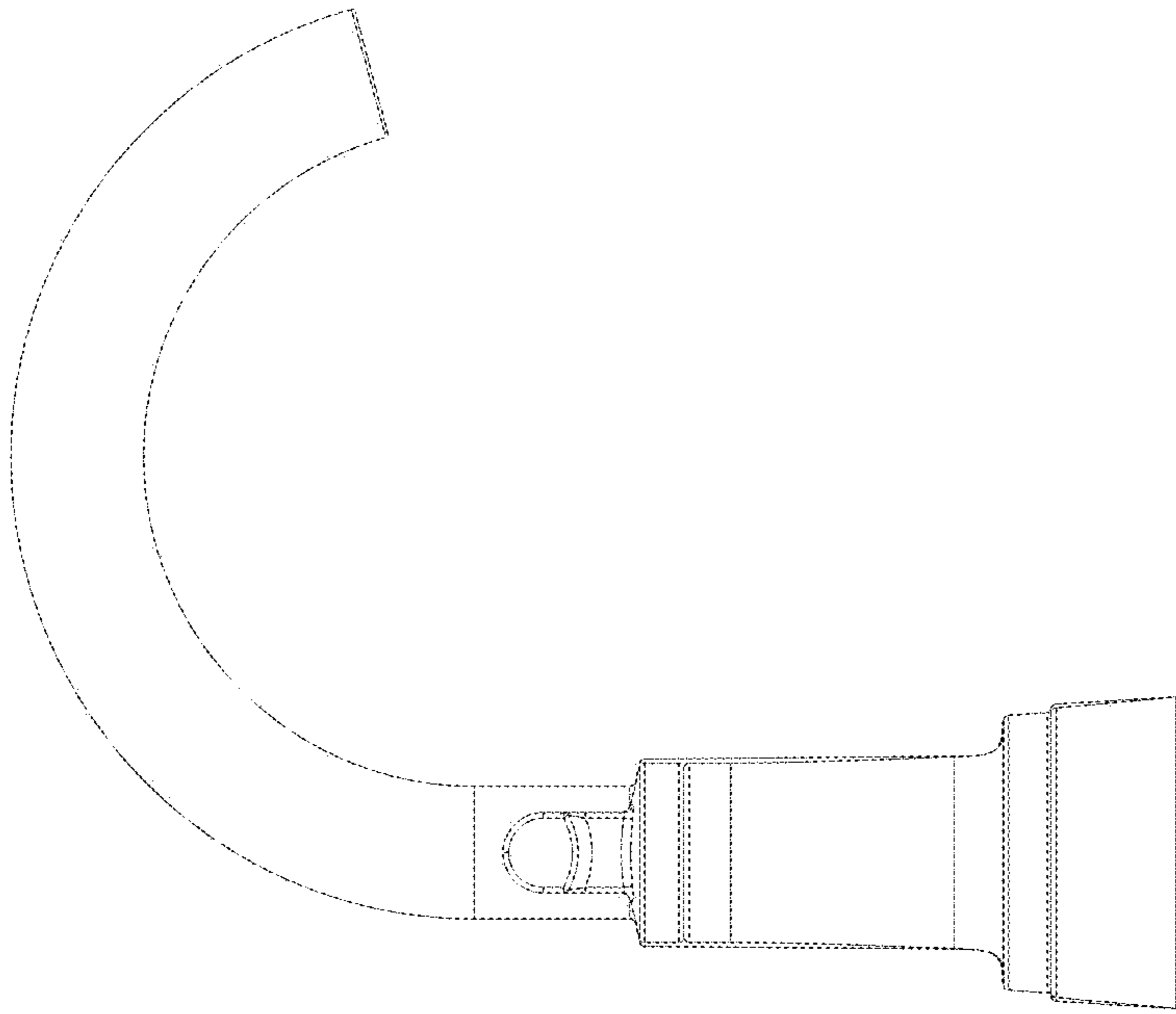


FIG - 6

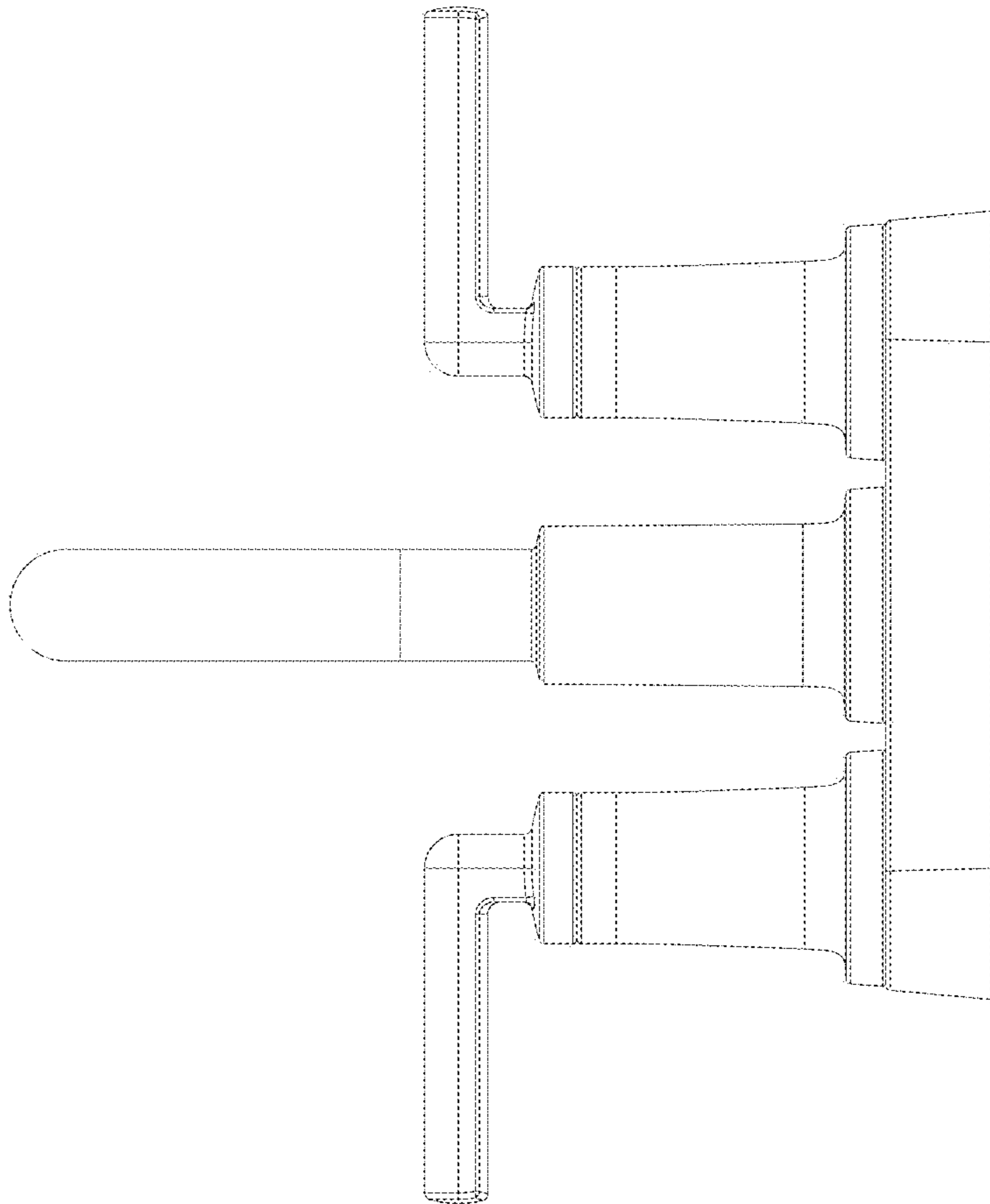


FIG - 5

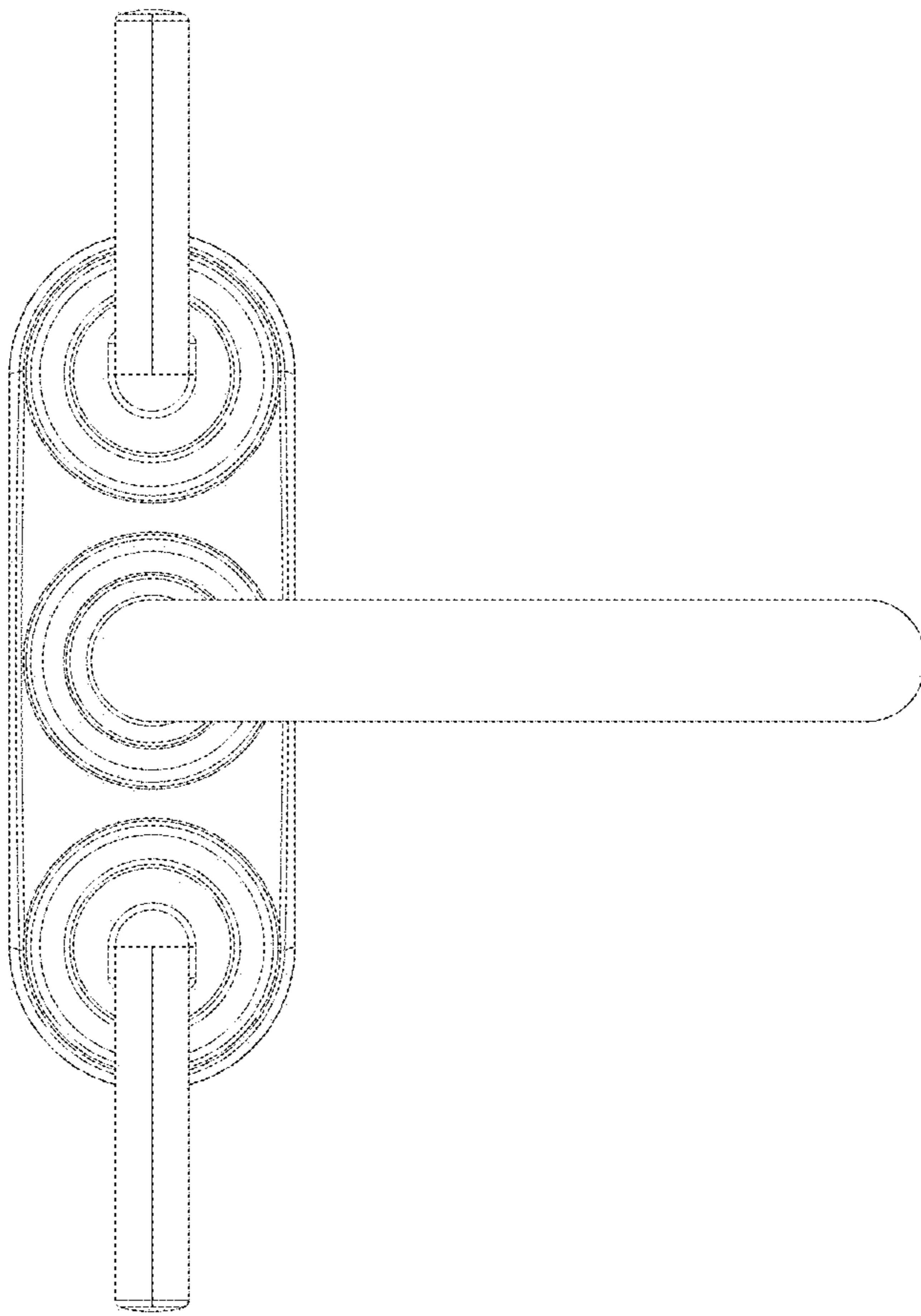


FIG - 7