



US00D954203S

(12) **United States Design Patent** (10) **Patent No.:** **US D954,203 S**  
**Stoler** (45) **Date of Patent:** **\*\* Jun. 7, 2022**

(54) **FAUCET BODY**  
(71) Applicant: **DELTA FAUCET COMPANY,**  
Indianapolis, IN (US)  
(72) Inventor: **Benjamin David Stoler,** Carmel, IN  
(US)

D594,934 S \* 6/2009 Vu ..... D23/238  
D611,124 S \* 3/2010 Schoenherr ..... D23/238  
D786,405 S \* 5/2017 Schaubach ..... D23/238  
D810,882 S \* 2/2018 Bahler ..... D23/249  
D835,236 S \* 12/2018 Ziemann ..... D23/238  
D858,714 S \* 9/2019 Garland ..... D23/249

(73) Assignee: **DELTA FAUCET COMPANY,**  
Indianapolis, IN (US)

**FOREIGN PATENT DOCUMENTS**

CN 201830365306 \* 7/2018

(\*\*) Term: **15 Years**

*Primary Examiner* — Samantha Wood

(21) Appl. No.: **29/760,565**

(74) *Attorney, Agent, or Firm* — Nirav D. Parikh; Edgar  
A. Zarins

(22) Filed: **Dec. 2, 2020**

(51) **LOC (13) Cl.** ..... **23-01**

(57) **CLAIM**

(52) **U.S. Cl.**  
USPC ..... **D23/238**

The ornamental design for a faucet body, as shown and  
described.

(58) **Field of Classification Search**  
USPC ..... D23/257, 259, 249, 234–241, 242–255,  
D23/238

**DESCRIPTION**

CPC ..... Y10T 137/9464; E03C 1/00; E03C 1/02;  
E03C 1/04; E03C 1/0412; E03C 1/042;  
E03C 1/044; D03C 1/0402; D03C 1/0405  
See application file for complete search history.

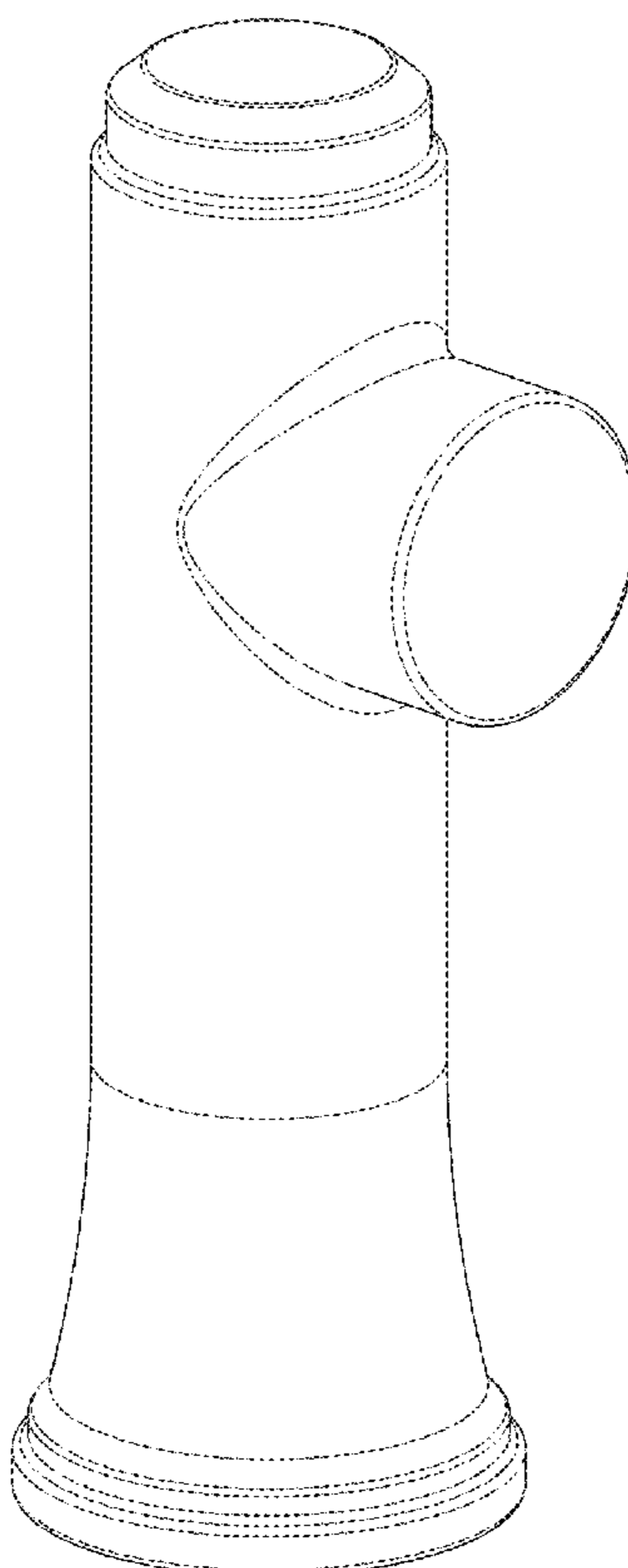
FIG. 1 is a front perspective view of a faucet body showing  
my new design;  
FIG. 2 is a rear perspective view thereof;  
FIG. 3 is a front elevational view thereof;  
FIG. 4 is a left side view thereof;  
FIG. 5 is a rear view thereof;  
FIG. 6 is a right side view thereof;  
FIG. 7 is a top plan view thereof; and,  
FIG. 8 is a bottom view thereof.

(56) **References Cited**

**U.S. PATENT DOCUMENTS**

D510,126 S \* 9/2005 Ouyoung ..... D23/238  
D513,526 S \* 1/2006 Marshall ..... D23/238

**1 Claim, 4 Drawing Sheets**



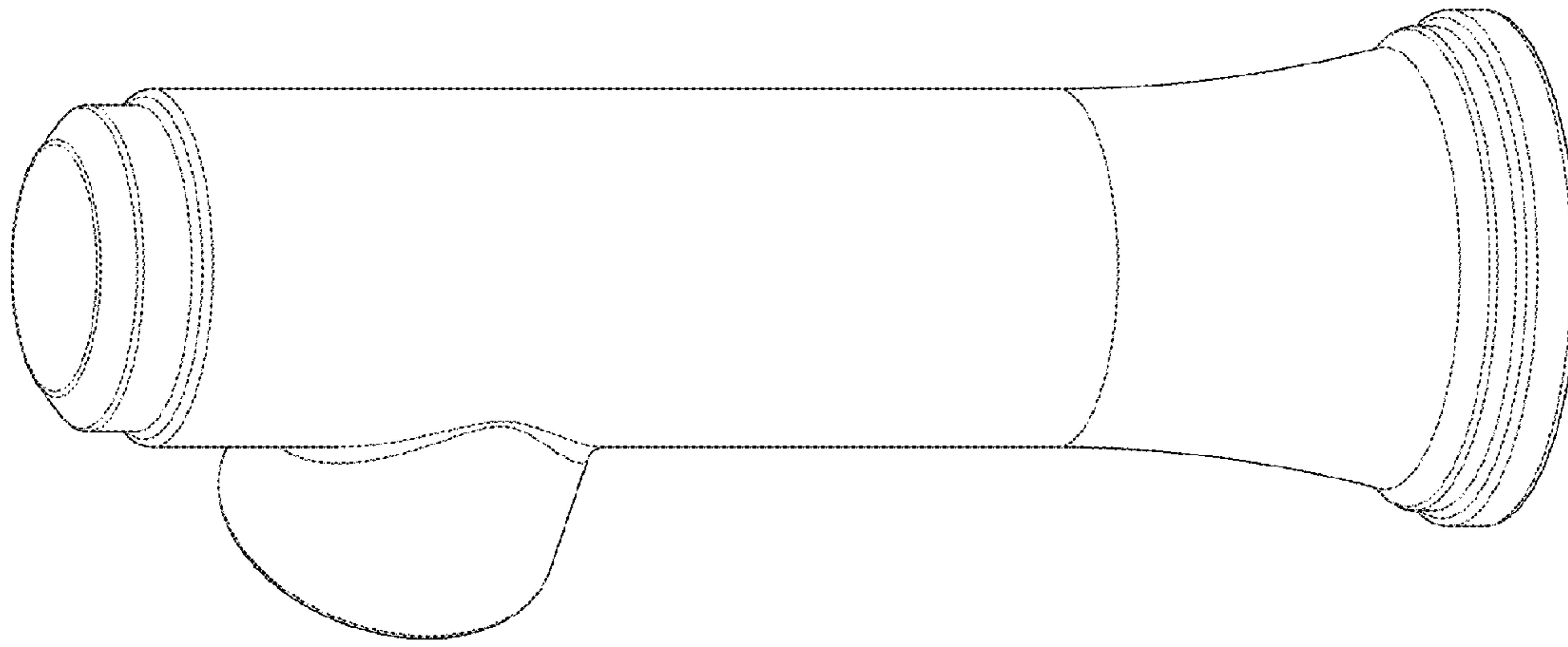


FIG - 2

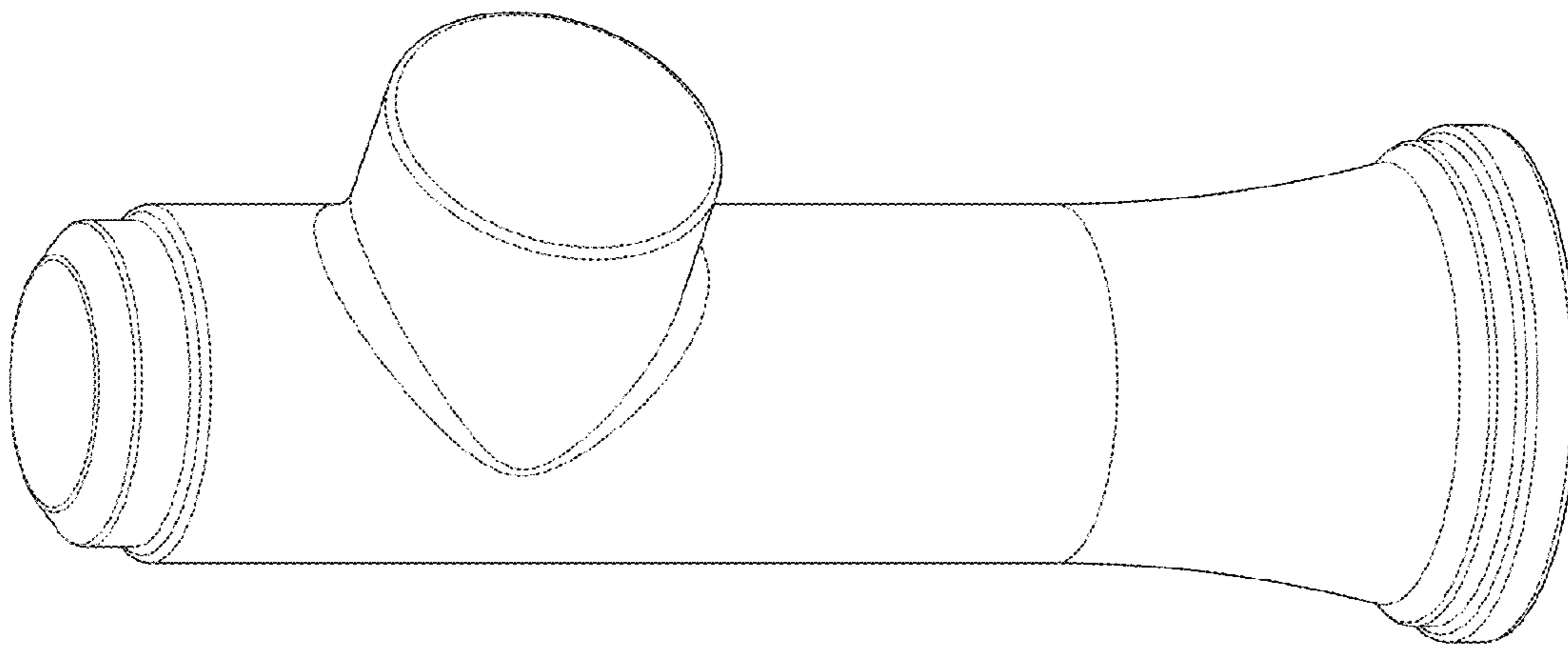


FIG - 1

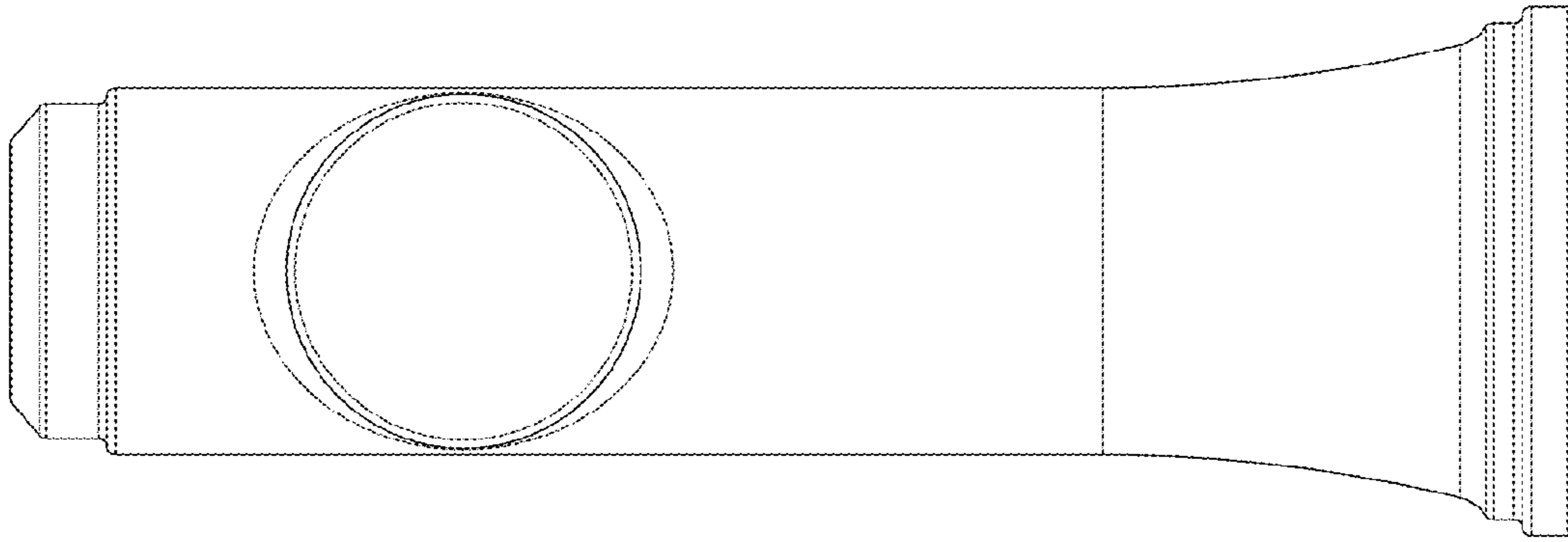


FIG - 4

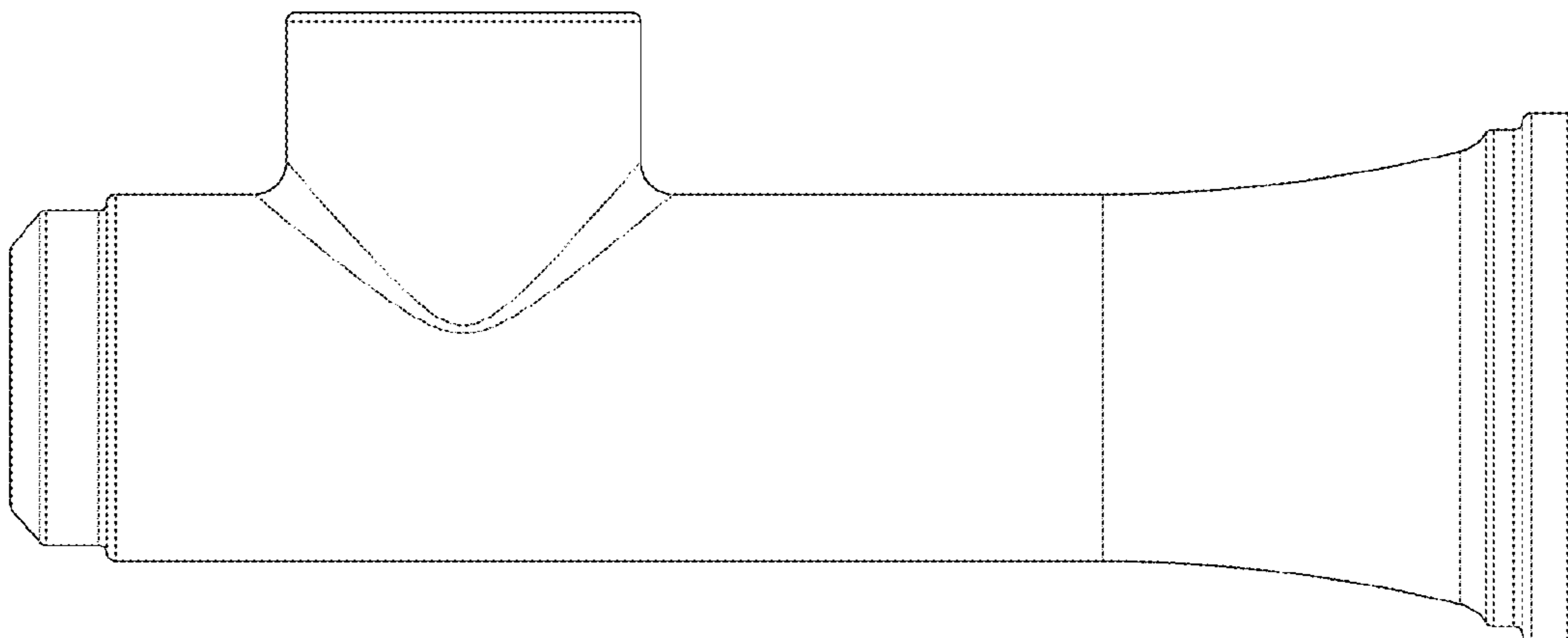


FIG - 3

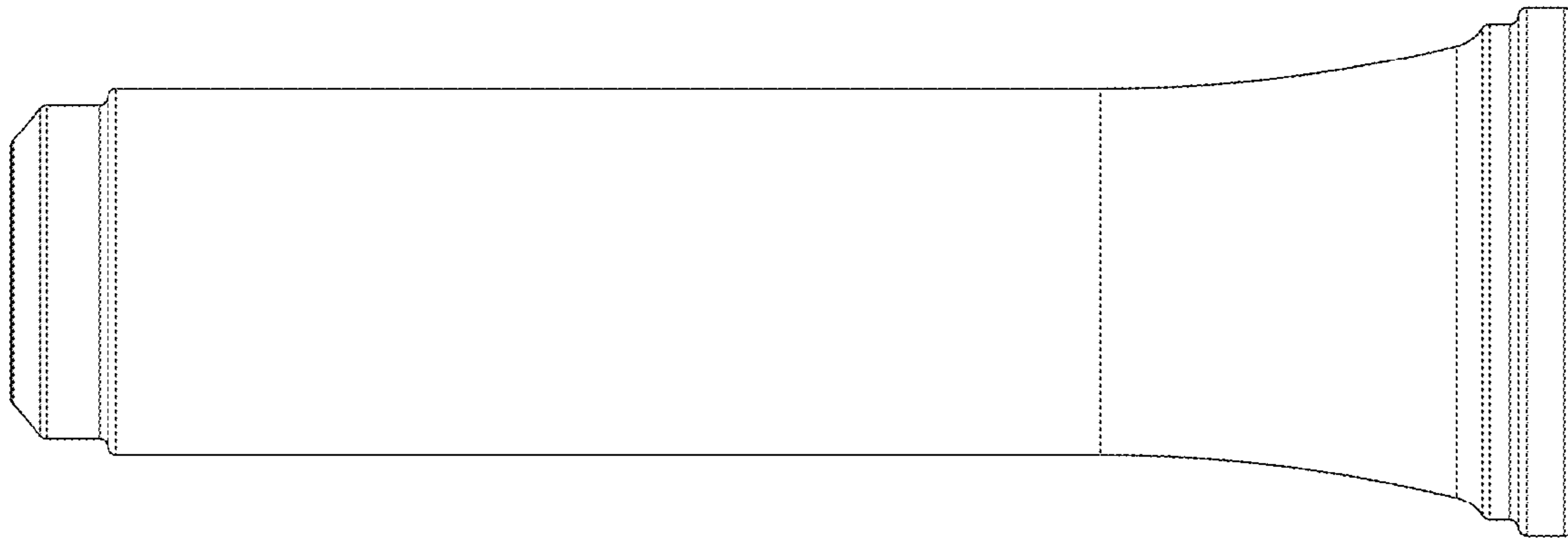


FIG - 6

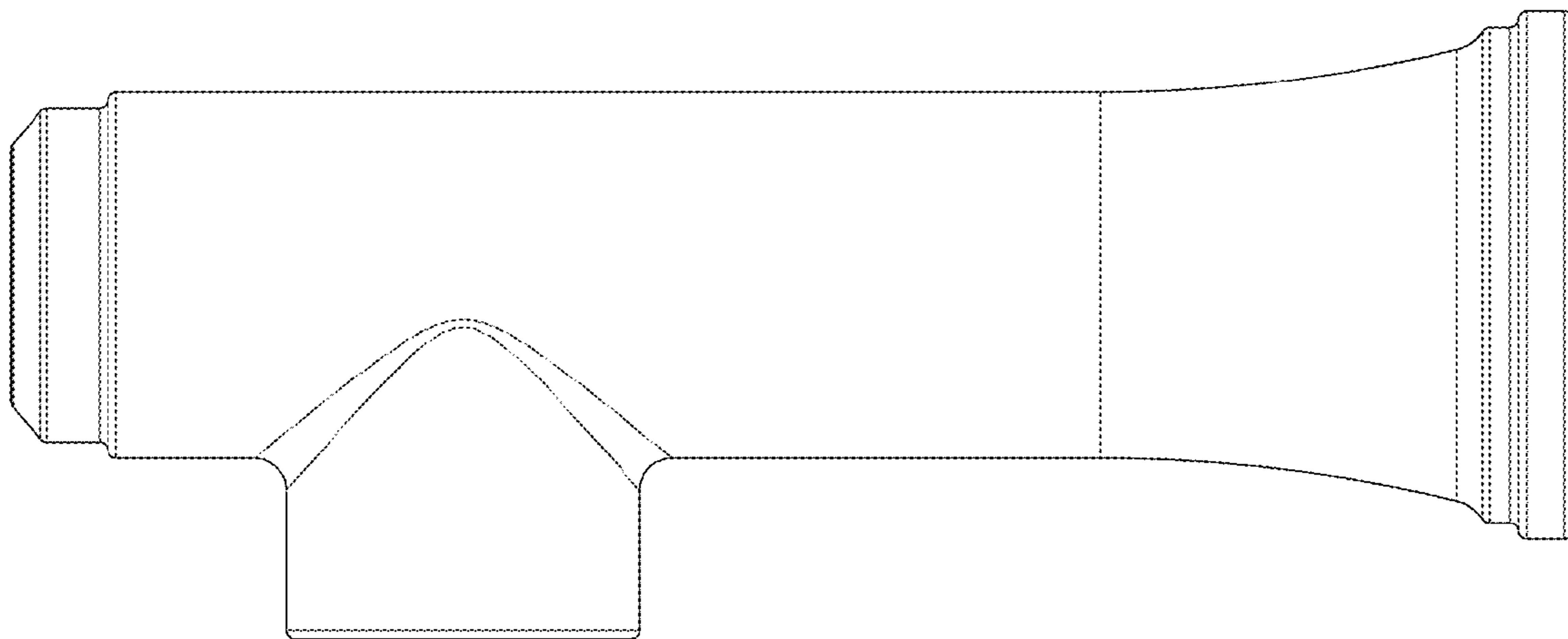


FIG - 5

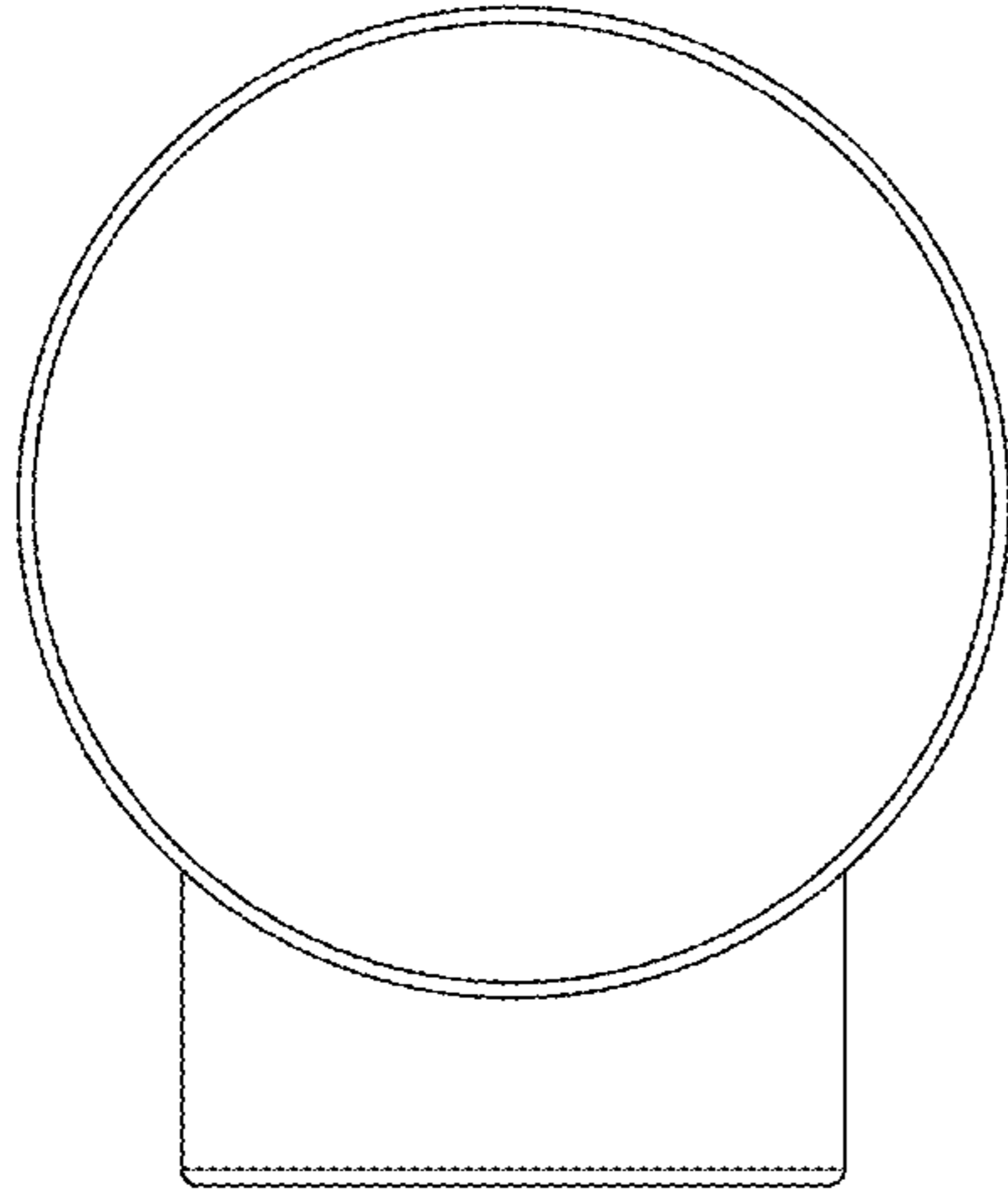


FIG - 8

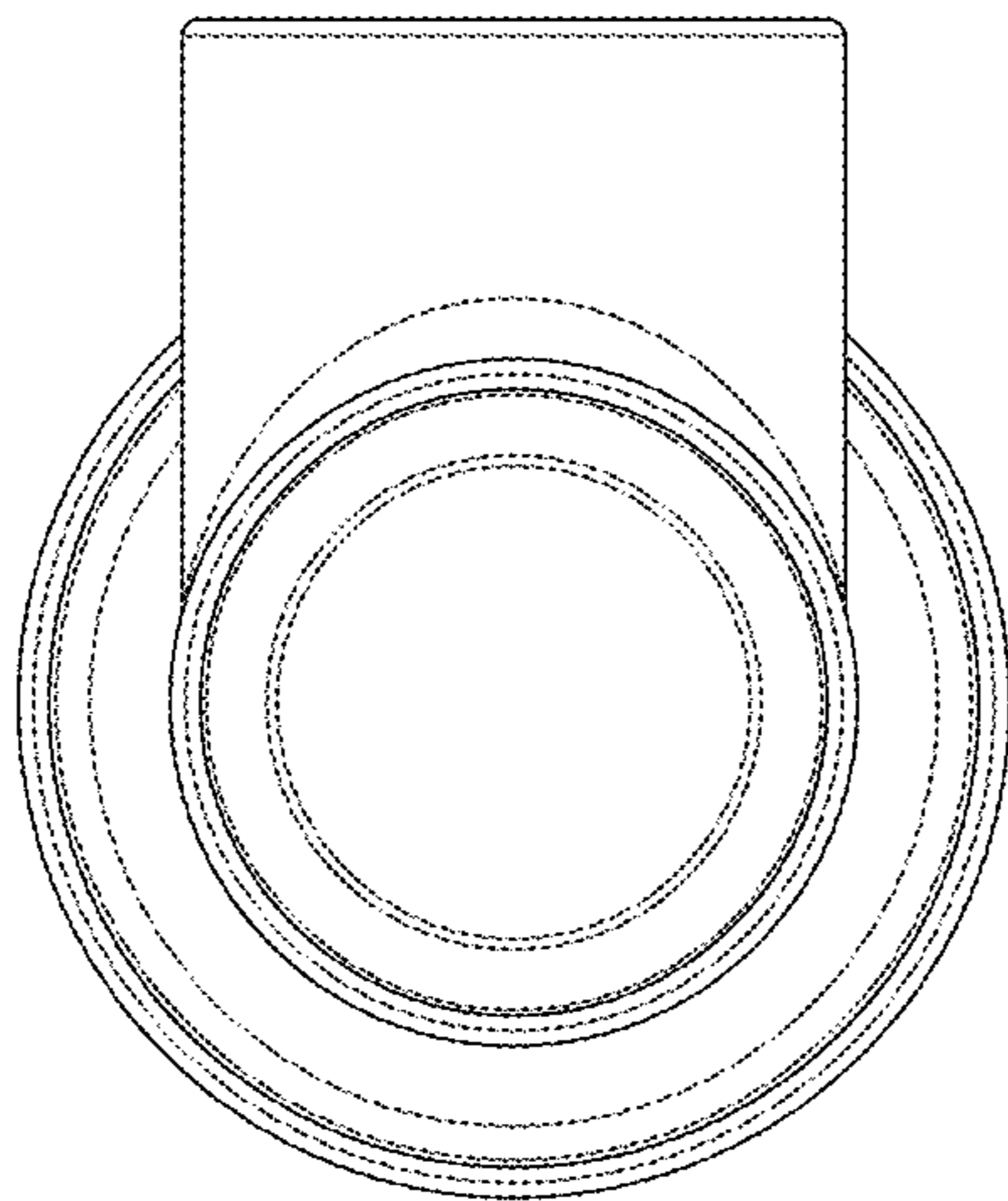


FIG - 7