



US00D954202S

(12) **United States Design Patent**  
**Garland**

(10) **Patent No.:** **US D954,202 S**  
(45) **Date of Patent:** **\*\* Jun. 7, 2022**

(54) **FAUCET**

(71) Applicant: **DELTA FAUCET COMPANY,**  
Indianapolis, IN (US)

(72) Inventor: **Celine Kwok Garland,** Zionsville, IN  
(US)

(73) Assignee: **DELTA FAUCET COMPANY,**  
Indianapolis, IN (US)

(\*\*) Term: **15 Years**

(21) Appl. No.: **29/754,465**

(22) Filed: **Oct. 12, 2020**

(51) **LOC (13) Cl.** ..... **23-01**

(52) **U.S. Cl.**  
USPC ..... **D23/238**

(58) **Field of Classification Search**  
USPC ..... D23/238, 239, 240, 241, 242, 243, 244,  
D23/245, 246, 247, 248, 249, 250, 251,  
D23/252, 255  
CPC ..... Y10T 137/9464; E03C 1/00; E03C 1/02;  
E03C 1/04; E03C 1/042; E03C 1/044;  
E03C 1/0402; E03C 1/0403; E03C  
1/0405; E03C 1/0412

See application file for complete search history.

(56) **References Cited**

**U.S. PATENT DOCUMENTS**

|            |   |         |            |       |         |
|------------|---|---------|------------|-------|---------|
| D460,532 S | * | 7/2002  | Marcichow  | ..... | D23/250 |
| D580,019 S | * | 11/2008 | Sedwick    | ..... | D23/252 |
| D587,786 S | * | 3/2009  | Williams   | ..... | D23/252 |
| D615,162 S | * | 5/2010  | Pan        | ..... | D23/255 |
| D656,587 S | * | 3/2012  | Ko         | ..... | D23/242 |
| D685,883 S | * | 7/2013  | Romero     | ..... | D23/255 |
| D759,204 S | * | 6/2016  | Garland    | ..... | D23/238 |
| D797,244 S | * | 9/2017  | Kulig      | ..... | D23/238 |
| D805,163 S | * | 12/2017 | Schoenherr | ..... | D23/238 |
| D810,888 S | * | 2/2018  | Schoenherr | ..... | D23/255 |
| D810,891 S | * | 2/2018  | Garland    | ..... | D23/257 |

|            |   |         |           |       |         |
|------------|---|---------|-----------|-------|---------|
| D816,802 S | * | 5/2018  | Tsai      | ..... | D23/238 |
| D817,453 S | * | 5/2018  | Wang      | ..... | D23/238 |
| D820,411 S | * | 6/2018  | Huber     | ..... | D23/242 |
| D820,957 S | * | 6/2018  | Schaubach | ..... | D23/238 |
| D829,867 S | * | 10/2018 | McKeone   | ..... | D23/255 |
| D841,129 S | * | 2/2019  | Garland   | ..... | D23/238 |

(Continued)

**FOREIGN PATENT DOCUMENTS**

|    |              |   |         |
|----|--------------|---|---------|
| CN | 200830155386 | * | 9/2008  |
| CN | 201230649179 | * | 12/2012 |

(Continued)

**OTHER PUBLICATIONS**

Amazon, Bristan HOU Basin Mixer Tap, posted Nov. 16, 2013, [online], [visited Nov. 19, 2021]. Internet, <URL: <https://www.amazon.co.uk/Bristan-HOU-BAS-Hourglass-Bathroom/dp/B00GURJE2W/ref>> (Year: 2013).\*

(Continued)

*Primary Examiner* — Samantha Wood

(74) *Attorney, Agent, or Firm* — Nirav D. Parikh; Edgar A. Zarins

(57) **CLAIM**

The ornamental design for a faucet, as shown and described.

**DESCRIPTION**

FIG. 1 is a front perspective view of a faucet showing my new design;

FIG. 2 is a rear perspective view thereof;

FIG. 3 is a front elevational view thereof;

FIG. 4 is a left side view thereof;

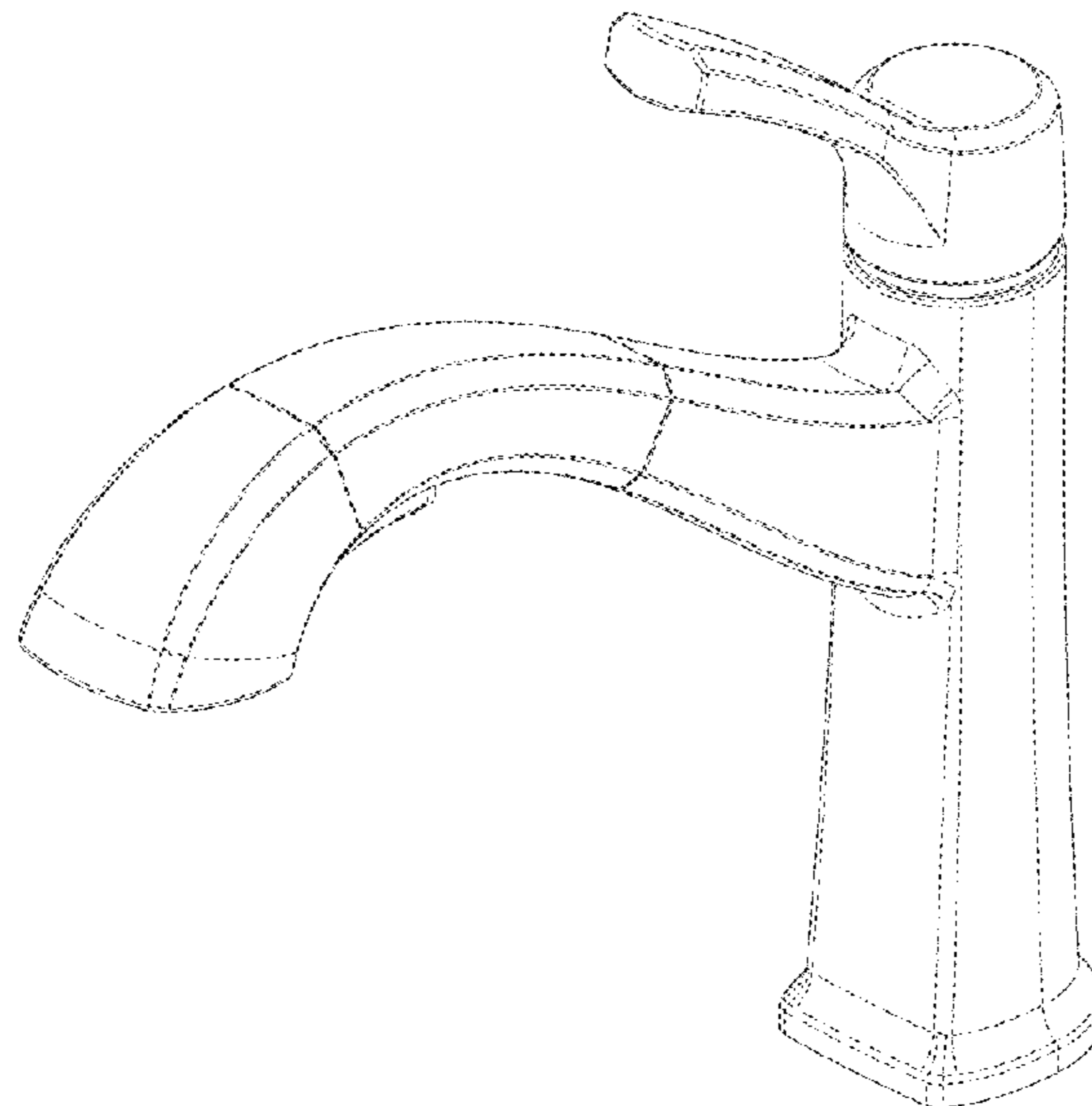
FIG. 5 is a rear view thereof;

FIG. 6 is a right side view thereof;

FIG. 7 is a top plan view thereof; and,

FIG. 8 is a bottom view thereof.

**1 Claim, 4 Drawing Sheets**



(56)

**References Cited**

U.S. PATENT DOCUMENTS

D854,664 S \* 7/2019 Chen ..... D23/255  
D873,968 S \* 1/2020 Bahler ..... D23/255  
D896,347 S \* 9/2020 Lazarini ..... D23/238  
D900,968 S \* 11/2020 Garland ..... D23/238  
2009/0101221 A1 \* 4/2009 Hsiao ..... F16K 27/044  
137/801

FOREIGN PATENT DOCUMENTS

CN 201730390753 \* 8/2017  
JP D2016-17539 \* 8/2016

OTHER PUBLICATIONS

Youtube, Delta Allentown Single Handle Pull-Down Kitchen Faucet with Spotshield Technology Video, posted Nov. 21, 2017, [online], [visited Nov. 19, 2021]. Internet, <URL: <https://www.youtube.com/watch?v=0GZcqlnRDT8>> (Year: 2017).\*

\* cited by examiner

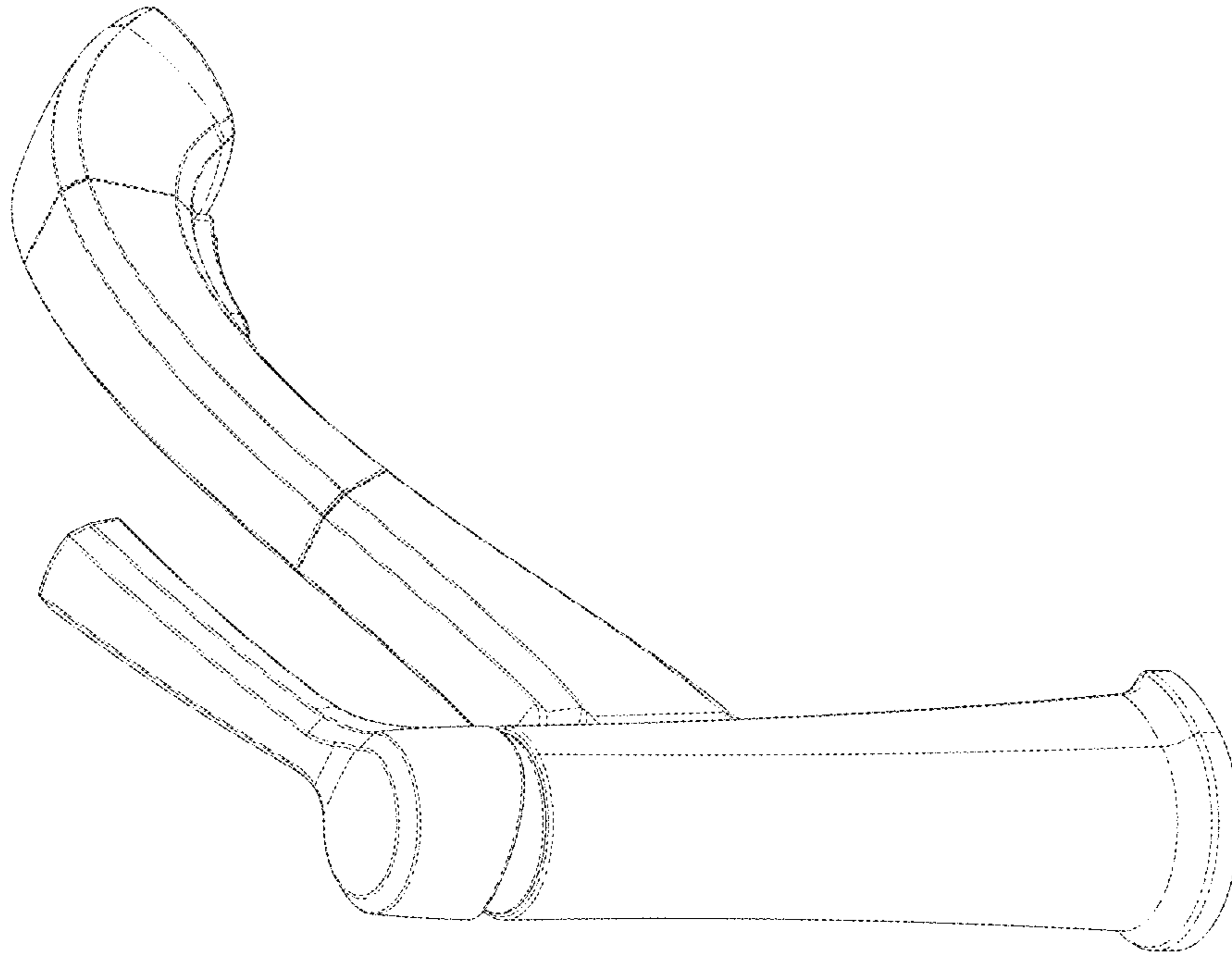


FIG - 2

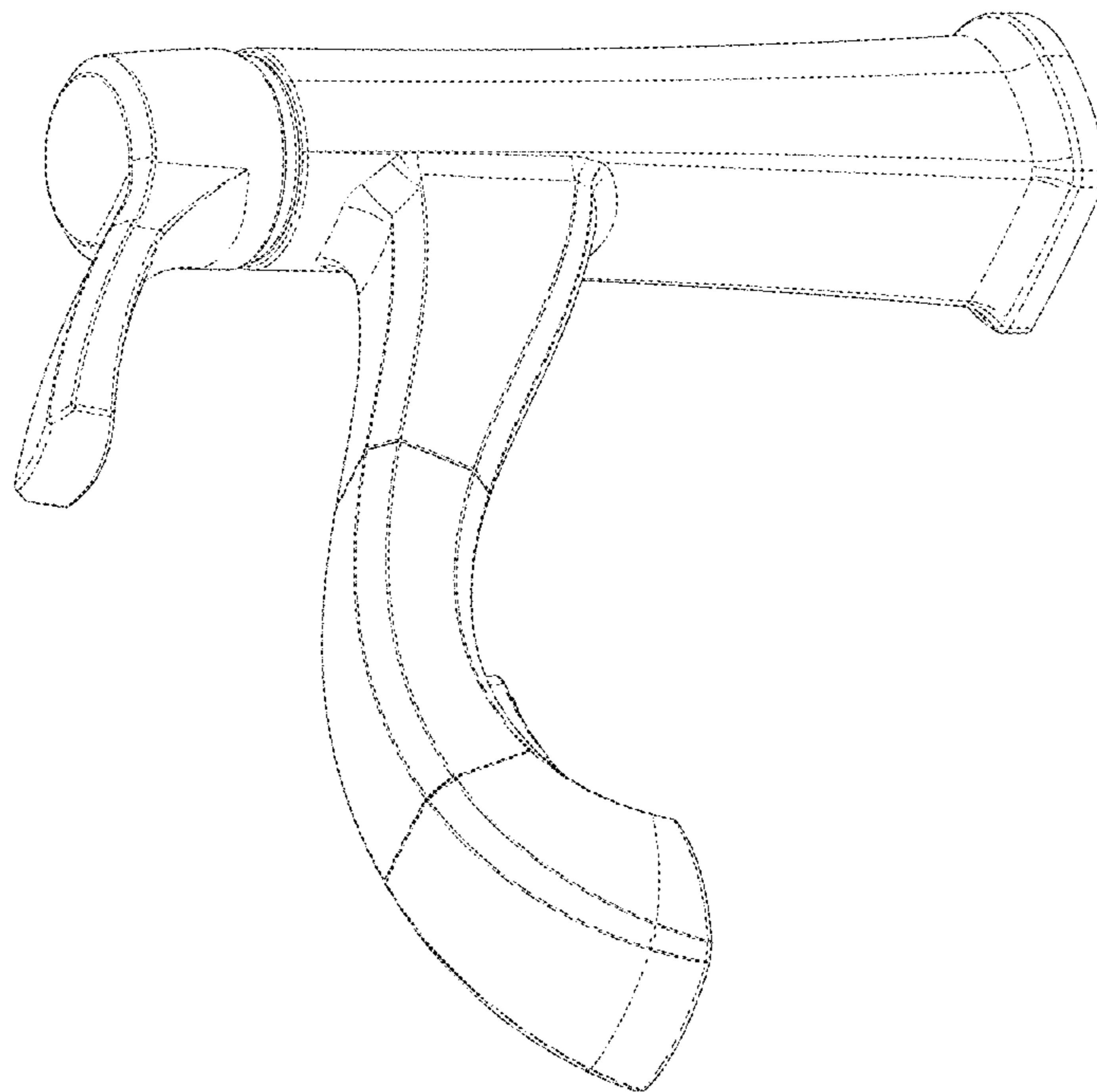


FIG - 1

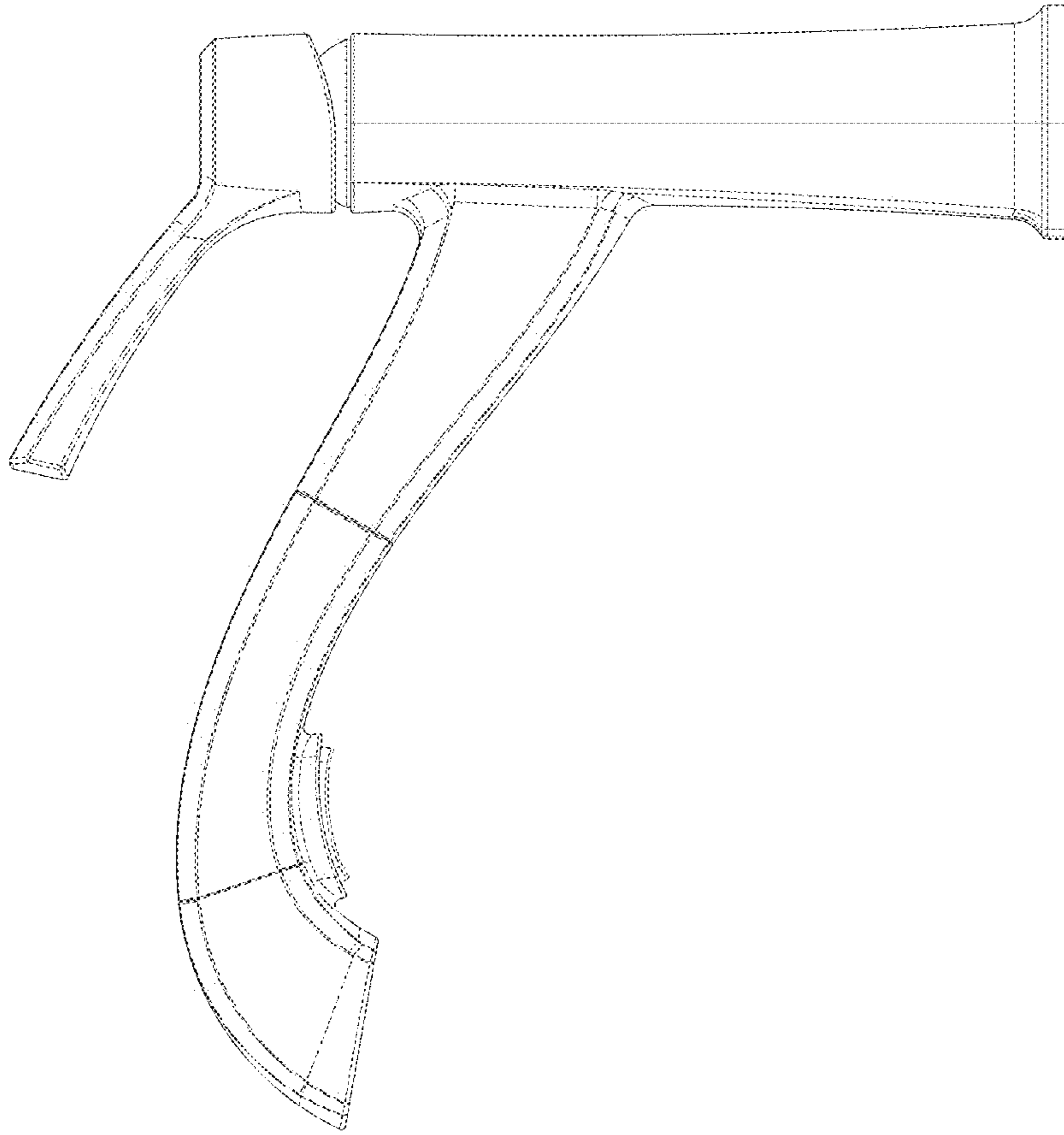


FIG - 4

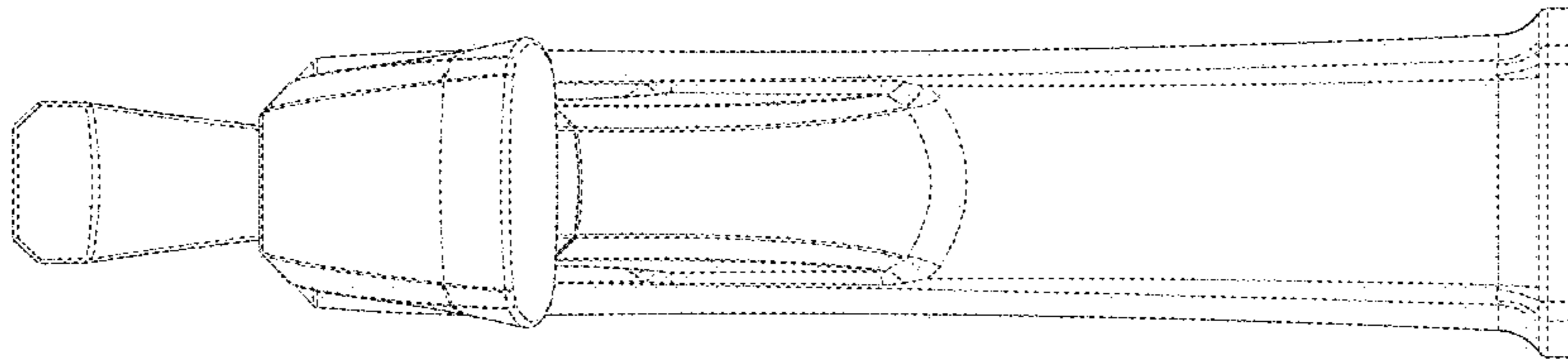


FIG - 3

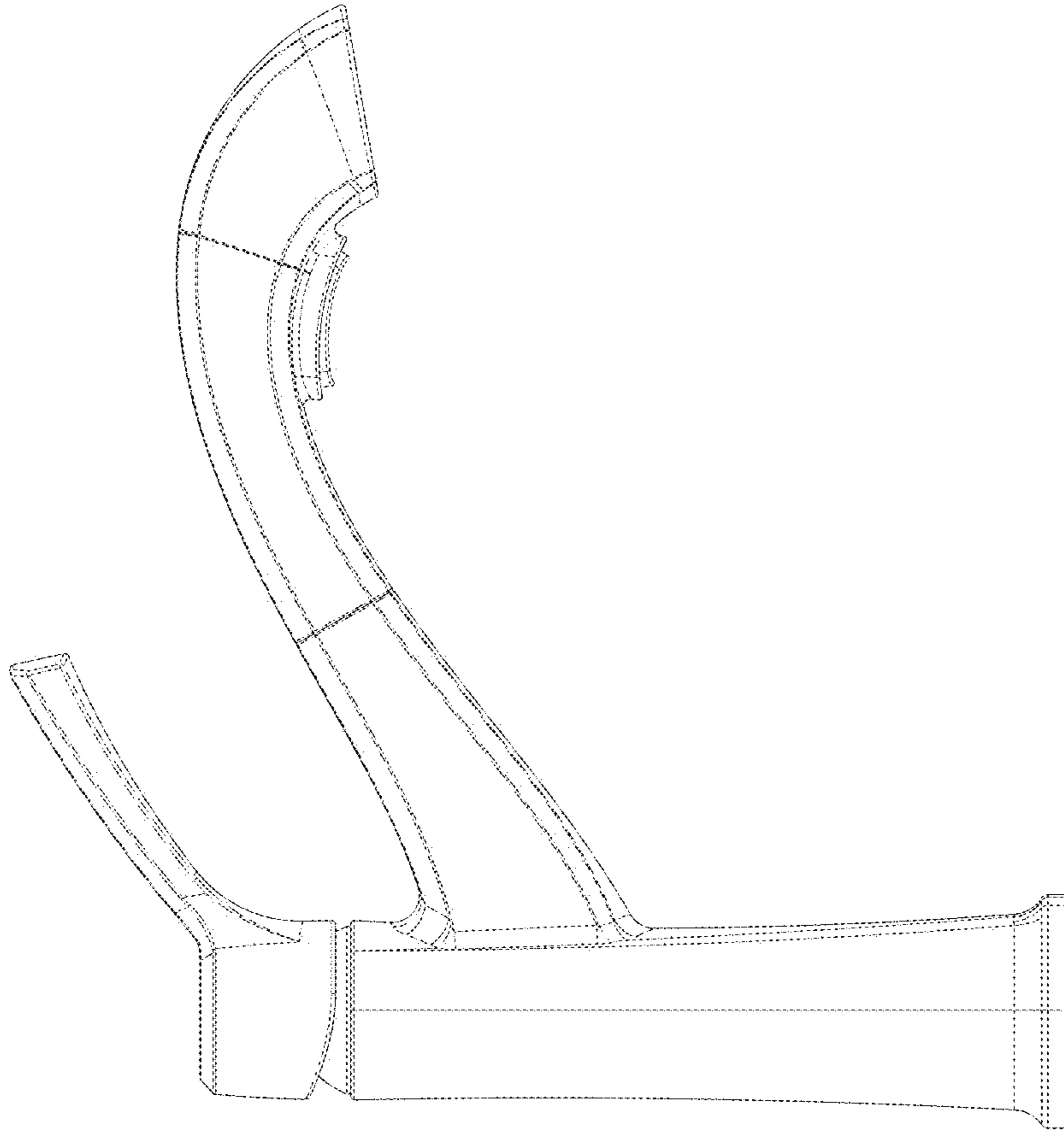


FIG - 6

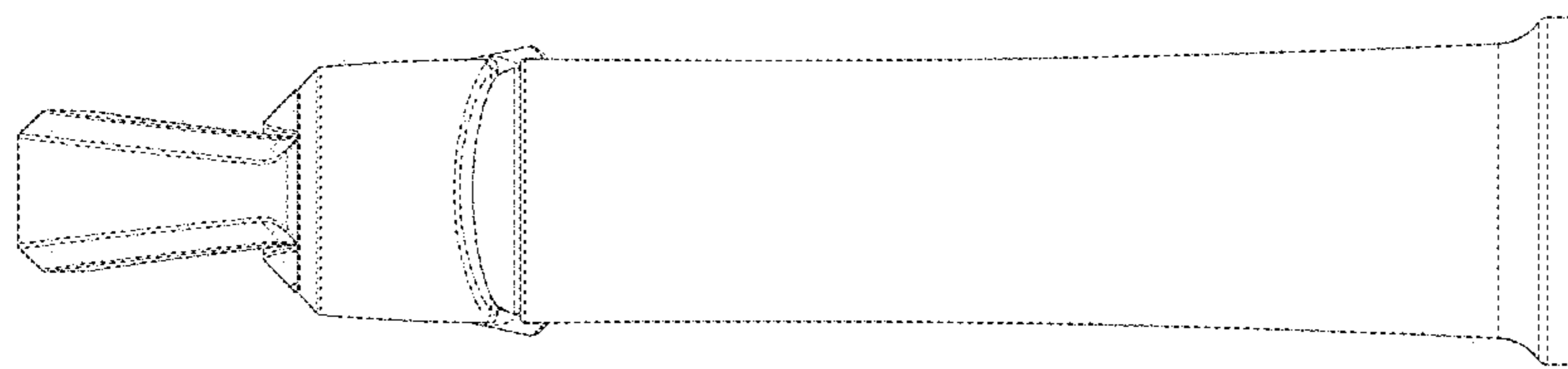


FIG - 5

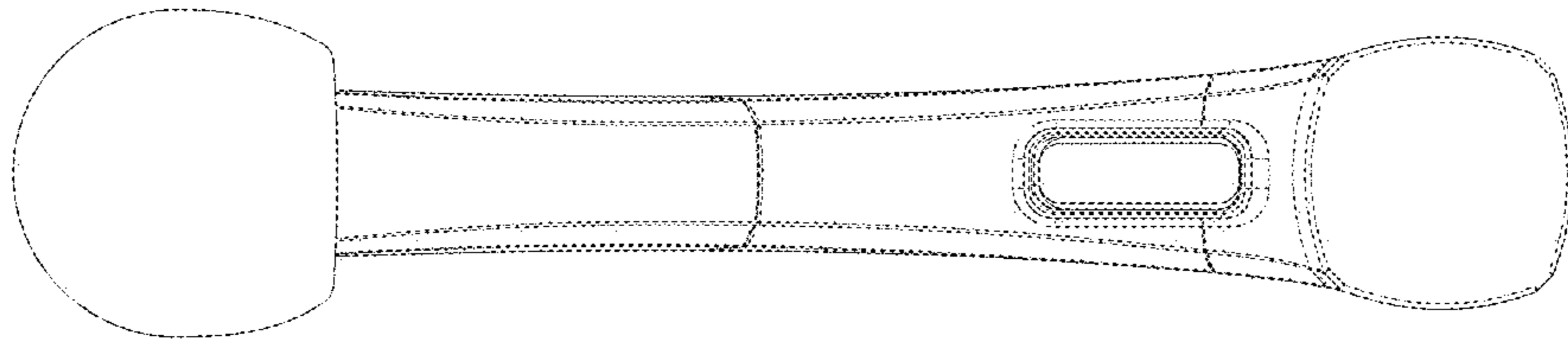


FIG - 8

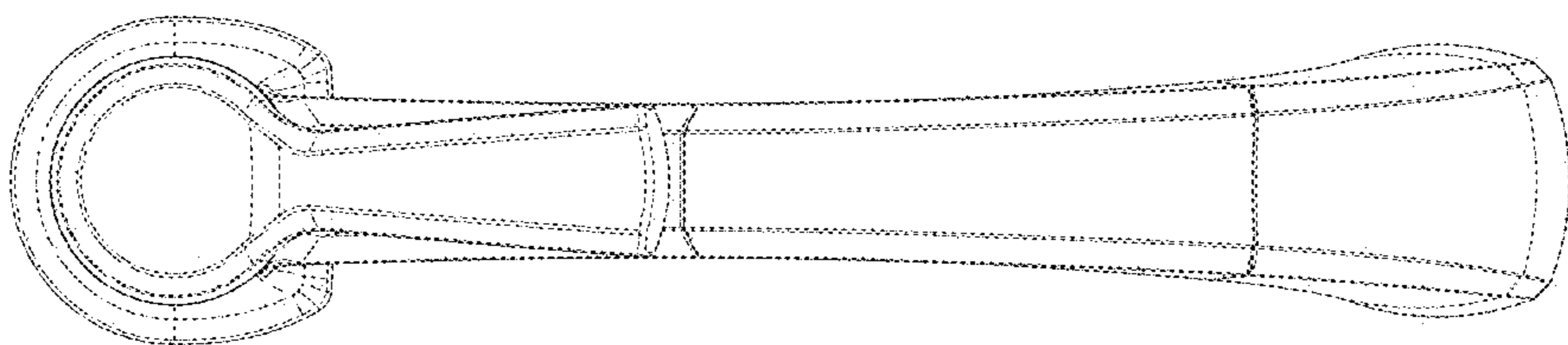


FIG - 7