

US00D954200S

(12) **United States Design Patent**
Williams

(10) **Patent No.:** **US D954,200 S**
(45) **Date of Patent:** **** Jun. 7, 2022**

- (54) **FAUCET**
- (71) Applicant: **AS America, Inc.**, Piscataway, NJ (US)
- (72) Inventor: **Emilie Williams**, New York, NY (US)
- (73) Assignee: **AS America, Inc.**, Piscataway, NJ (US)
- (**) Term: **15 Years**
- (21) Appl. No.: **29/751,603**
- (22) Filed: **Sep. 22, 2020**
- (51) **LOC (13) Cl.** **23-01**
- (52) **U.S. Cl.**
USPC **D23/238**
- (58) **Field of Classification Search**
USPC D23/238, 239, 240, 241, 242, 243, 244,
D23/245, 246, 247, 248, 249, 250, 251,
D23/252, 253, 254, 255, 256, 257, 259
CPC Y10T 137/9464; E03C 1/00; E03C 1/02;
E03C 1/04; E03C 1/042; E03C 1/044;
E03C 1/0402; E03C 1/0403; E03C
1/0405; E03C 1/0412
See application file for complete search history.

- D835,237 S * 12/2018 Ziemann D23/238
- D846,077 S * 4/2019 Liu D23/238
- D886,956 S * 6/2020 Soulier D23/255
- 2018/0179742 A1 * 6/2018 Yuan E03C 1/0405

OTHER PUBLICATIONS

Amazon, JUNSOTTOR Brushed Gold Kitchen Sink Mixer, posted Oct. 9, 2020, [online], [visited Nov. 5, 2021]. Internet, <URL: <https://www.amazon.co.uk/JUNSOTTOR-Brushed-Kitchen-Standard-Fittings/dp/B08L3BRKWP/ref>> (Year: 2020).*

Amazon, TURS Gold Kitchen Faucet with Pull Down Sprayer, posted Jun. 13, 2019, [online], [visited Nov. 12, 2021]. Internet, <URL: <https://www.amazon.com/TURS-Kitchen-Faucets-Retractable-Pull-Out/dp/B07SZ7ZFGZ/ref>> (Year: 2019).*

* cited by examiner

Primary Examiner — Samantha Wood
(74) *Attorney, Agent, or Firm* — Tyler A. Stevenson;
Anna-lisa L. Gallo

(57) **CLAIM**

I claim the ornamental design for a faucet, as shown and described.

(56) **References Cited**

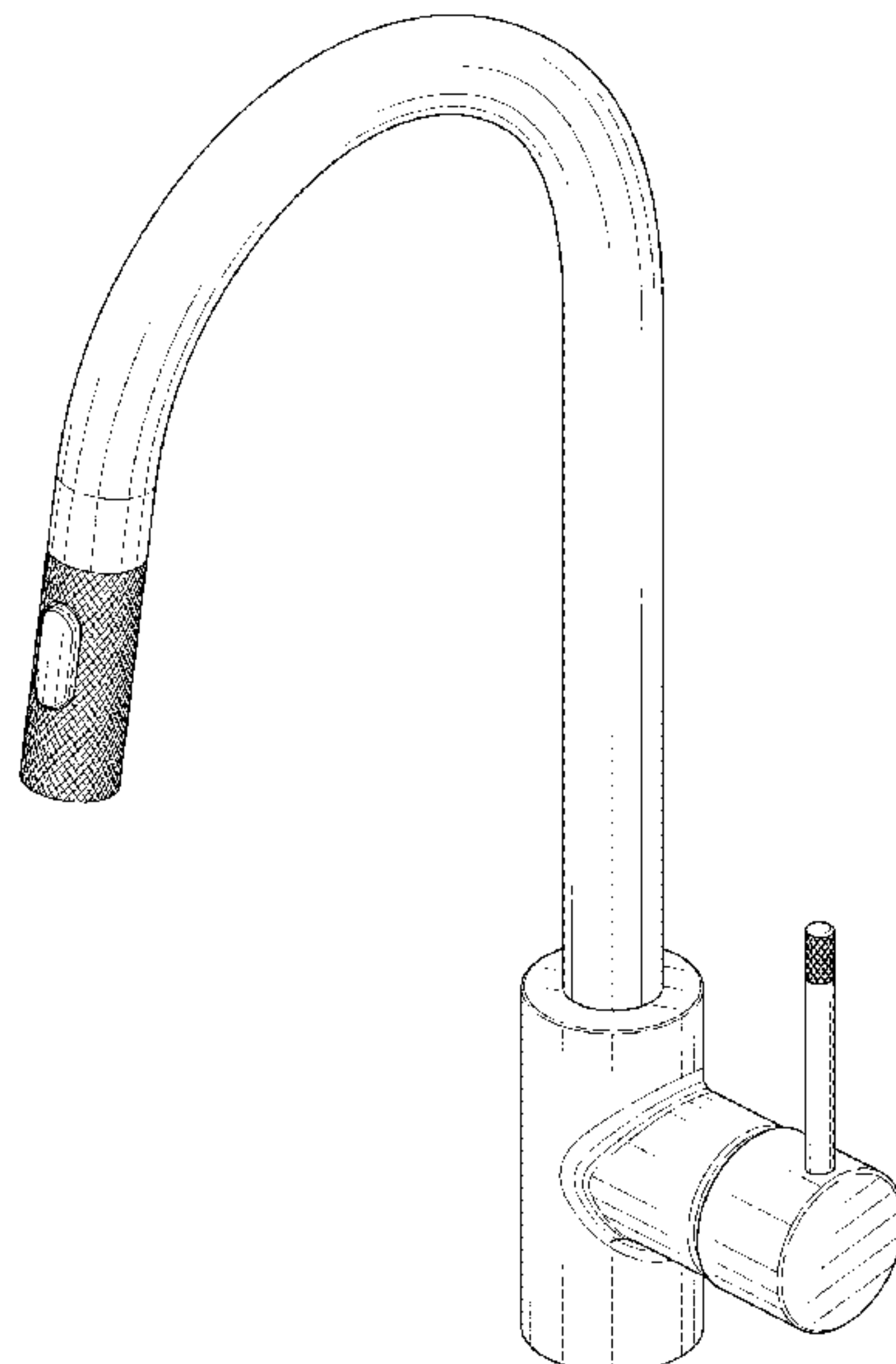
U.S. PATENT DOCUMENTS

- D531,698 S * 11/2006 Wood D23/238
- D532,866 S * 11/2006 Kirar D23/238
- D533,924 S * 12/2006 Kirar D23/255
- D567,908 S * 4/2008 Semchuck D23/238
- D575,848 S * 8/2008 Kirar D23/238
- D645,120 S * 9/2011 Lammel D23/238
- D645,544 S * 9/2011 Flowers D23/238
- D708,713 S * 7/2014 Yu D23/238
- D739,504 S * 9/2015 Standefer D23/255
- D778,406 S * 2/2017 Egli D23/238
- D787,020 S * 5/2017 Ziemann D23/238
- D787,642 S * 5/2017 Kirar D23/255
- D801,485 S * 10/2017 Kirar D23/257
- D828,511 S * 9/2018 Liu D23/238

DESCRIPTION

FIG. 1 is a front, top, right side perspective view of a faucet showing my new design;
FIG. 2 is a front view thereof;
FIG. 3 is a rear view thereof;
FIG. 4 is a left side view thereof;
FIG. 5 is a right side view thereof;
FIG. 6 is a top view thereof; and,
FIG. 7 is a bottom view thereof.
The broken lines of the disclosure represent portions of the faucet that form no part of the claimed design.

1 Claim, 5 Drawing Sheets



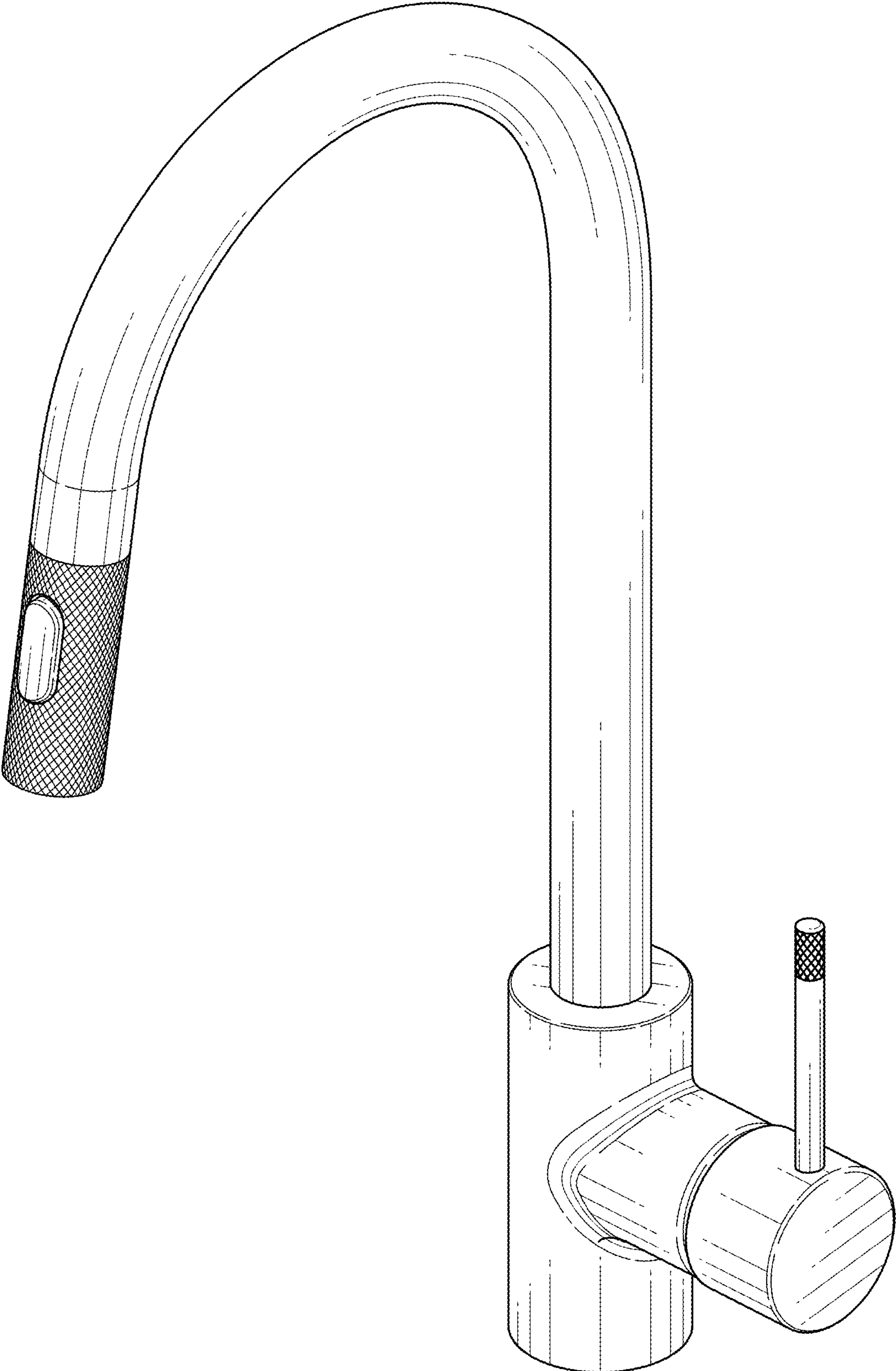


FIG. 1

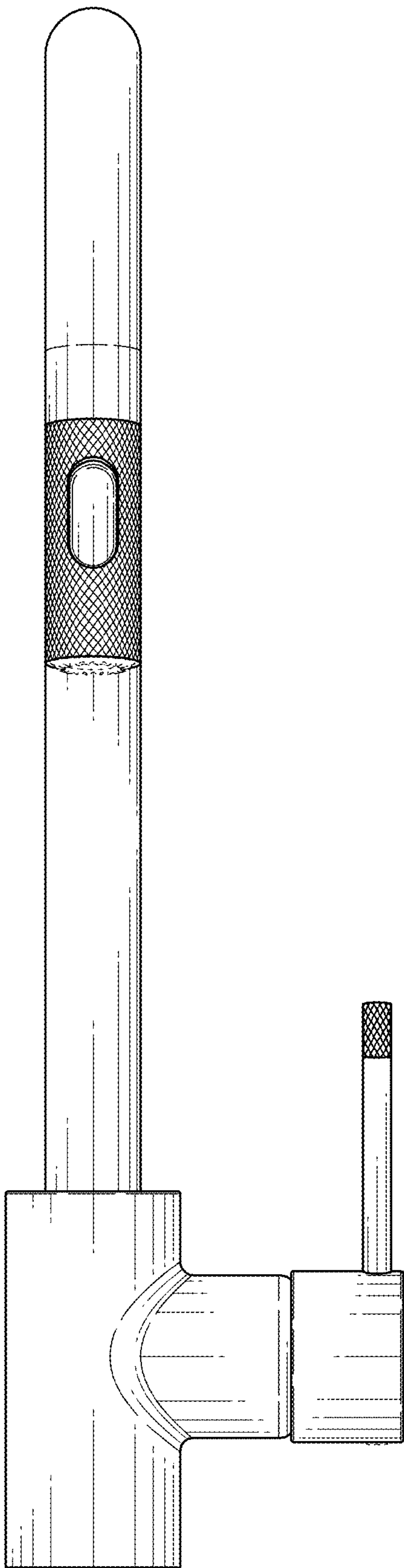


FIG. 2

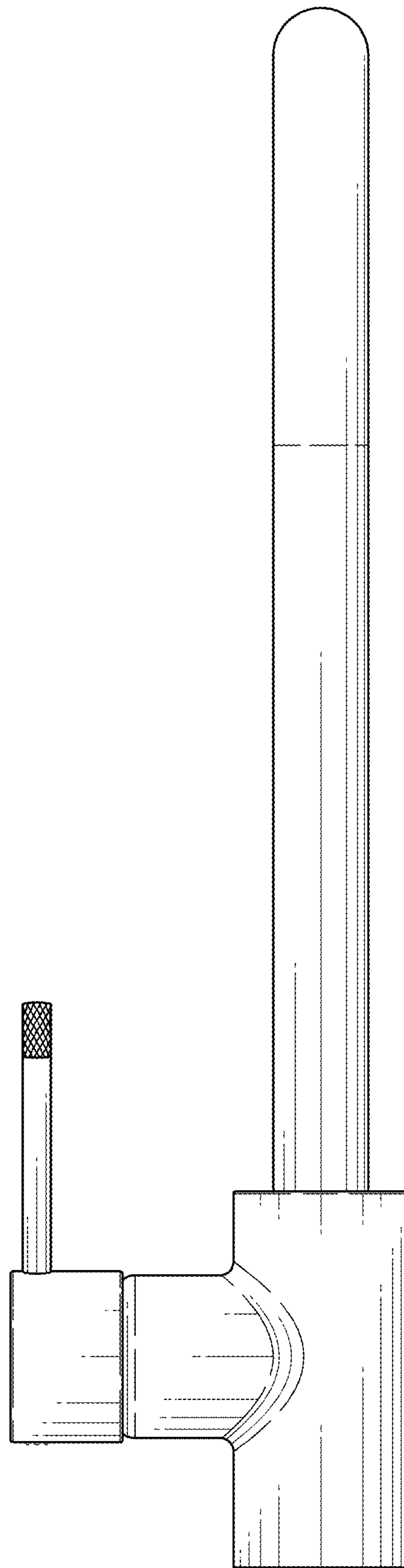


FIG. 3

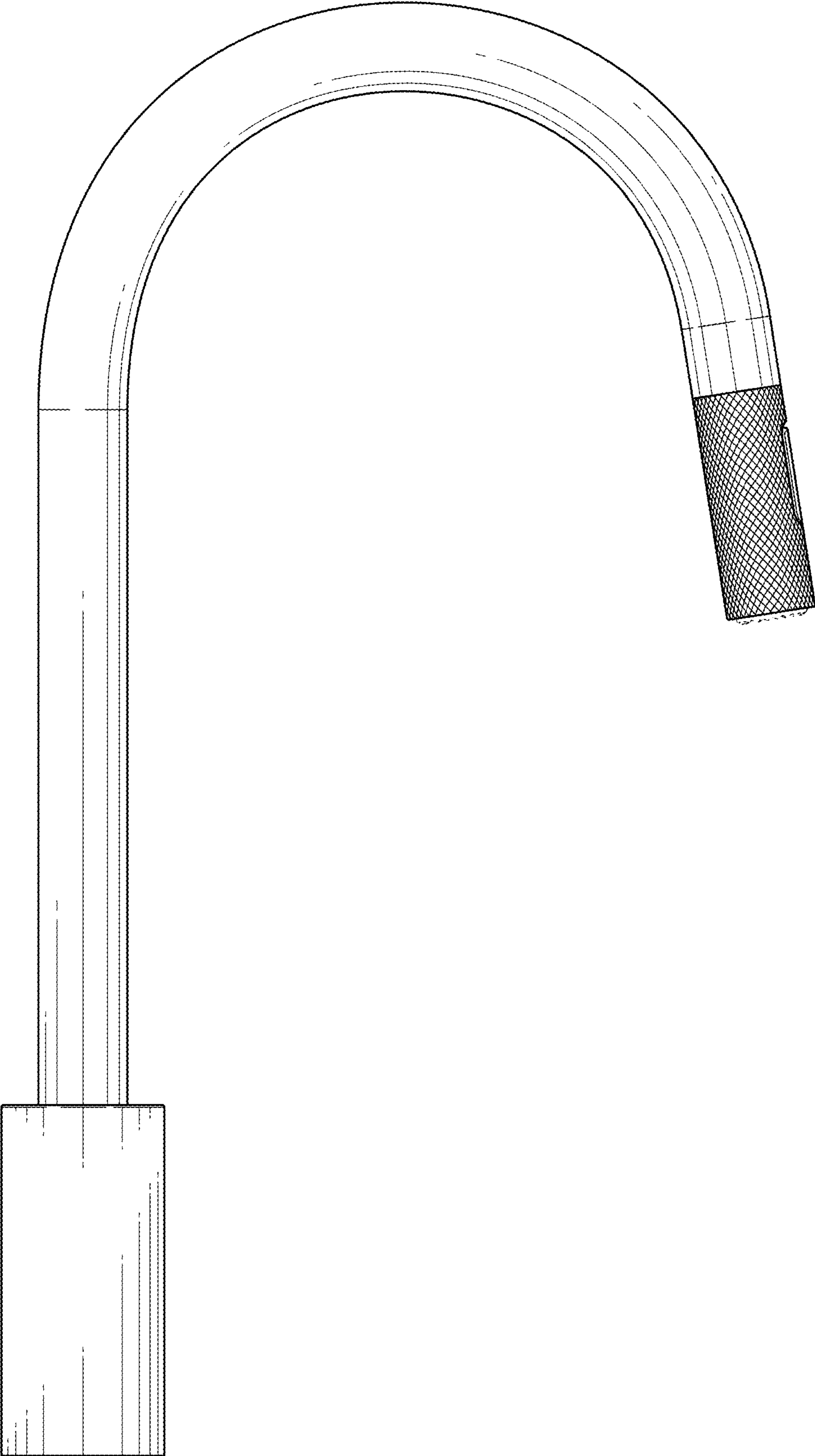


FIG. 4

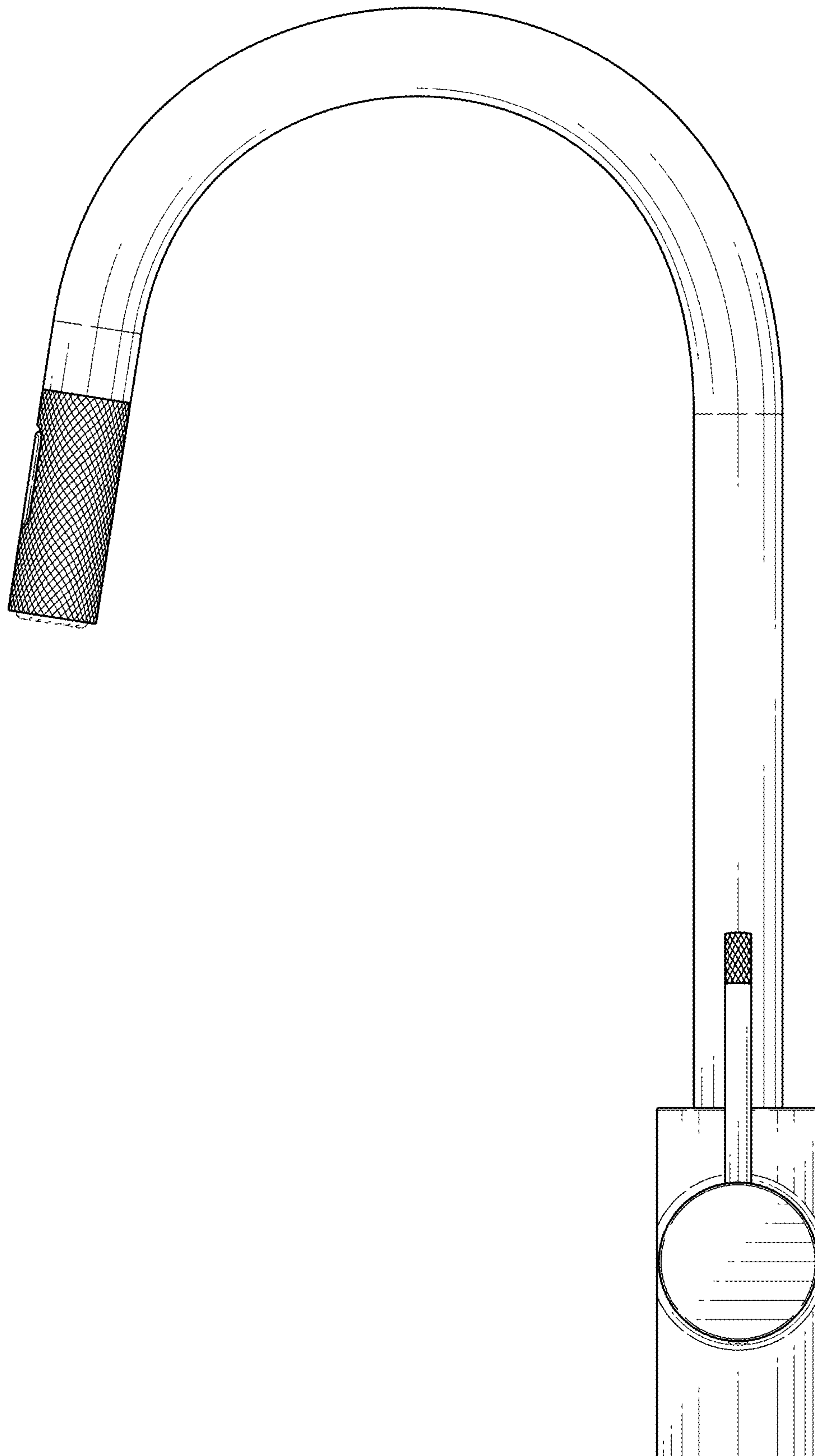


FIG. 5

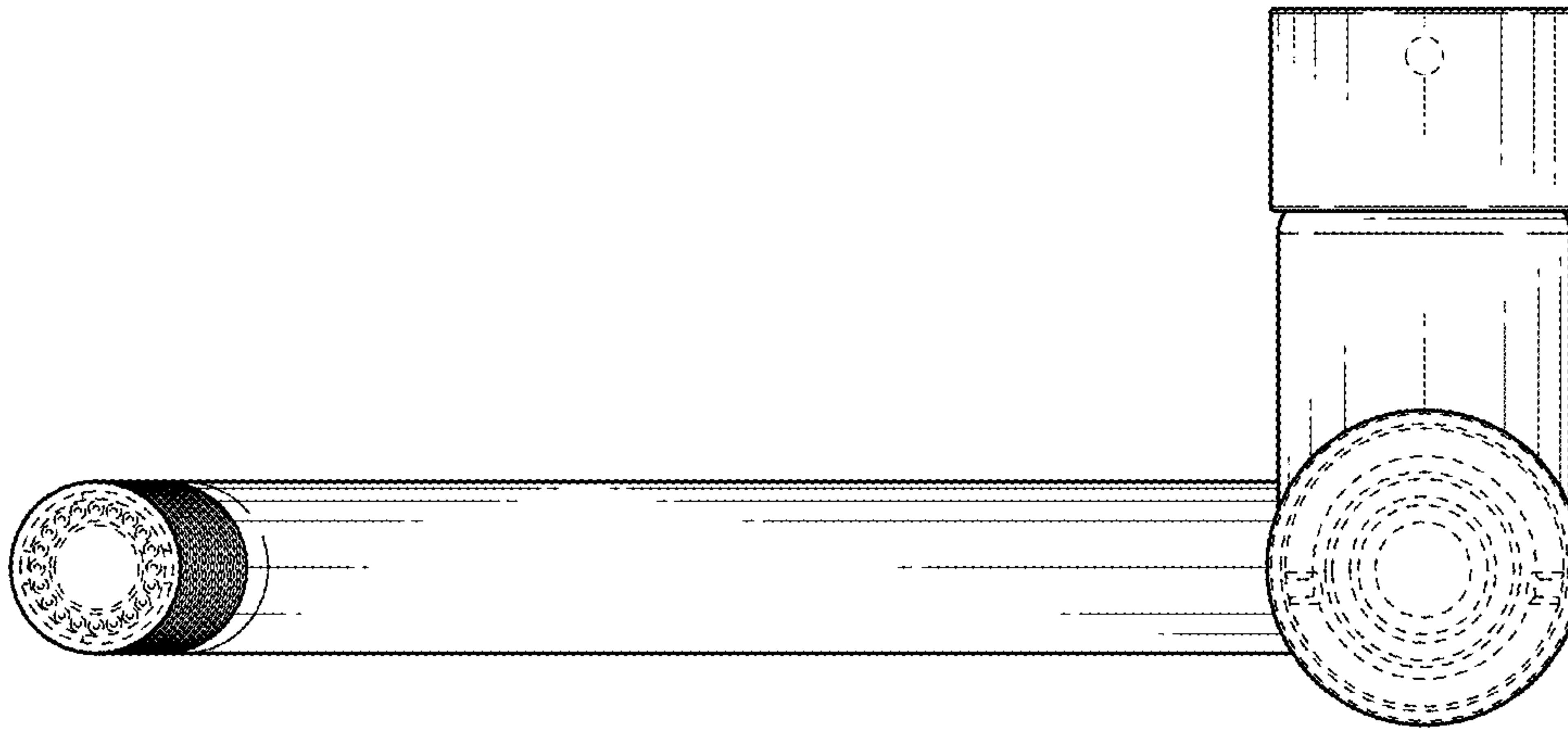


FIG. 7

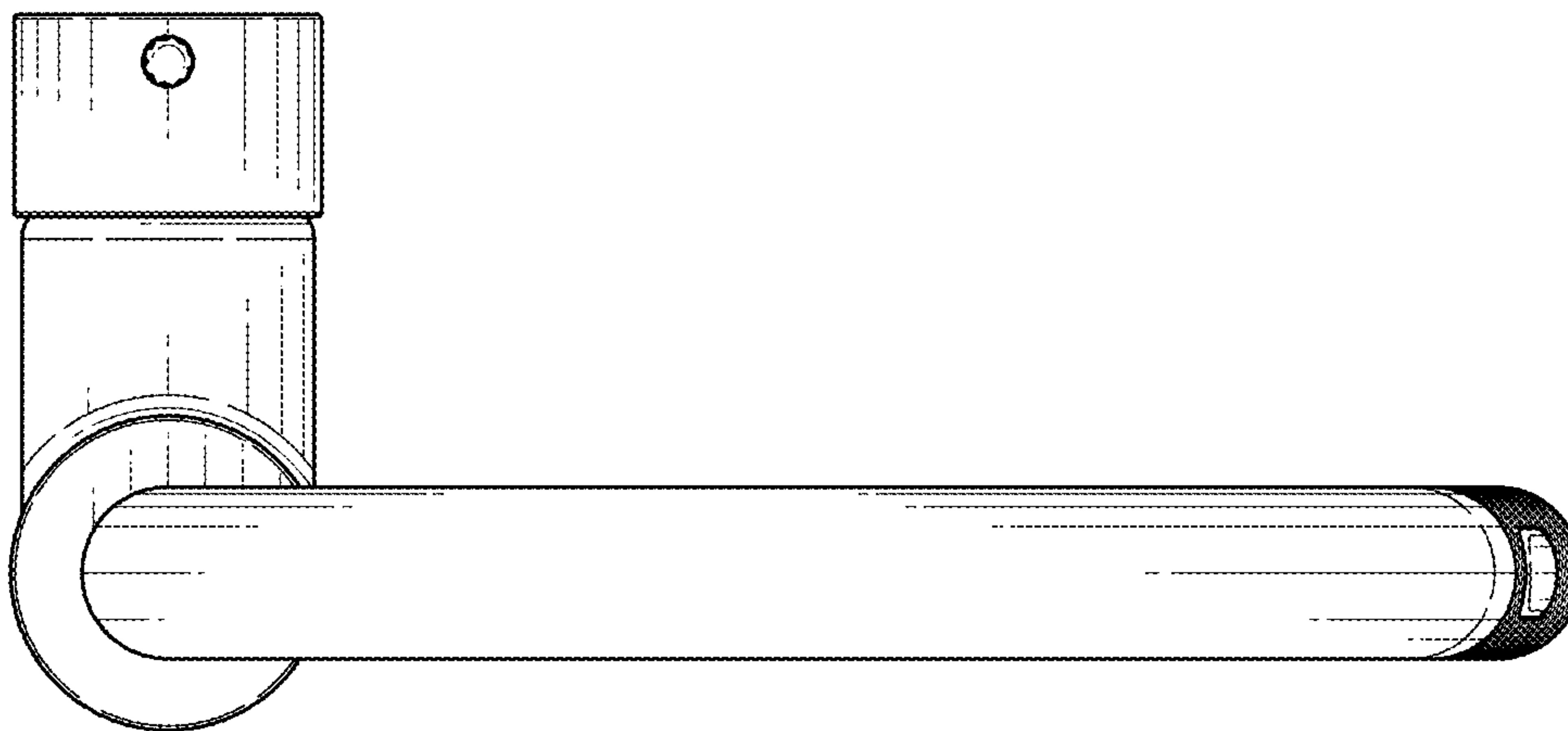


FIG. 6