



US00D954198S

(12) **United States Design Patent** (10) **Patent No.:** **US D954,198 S**
Stoler (45) **Date of Patent:** **** Jun. 7, 2022**

(54) **FAUCET**
(71) Applicant: **DELTA FAUCET COMPANY,**
Indianapolis, IN (US)
(72) Inventor: **Benjamin Stoler,** Carmel, IN (US)
(73) Assignee: **DELTA FAUCET COMPANY,**
Indianapolis, IN (US)
(**) Term: **15 Years**
(21) Appl. No.: **29/746,349**
(22) Filed: **Aug. 13, 2020**
(51) **LOC (13) Cl.** **23-01**
(52) **U.S. Cl.**
USPC **D23/238**
(58) **Field of Classification Search**
USPC D23/257, 249, 254, 259, 255, 233, 234,
D23/235, 236, 237, 238, 240, 241, 242,
D23/243, 244, 245, 246, 247, 248, 250,
D23/251, 252, 253, 256
CPC E03C 1/01; E03C 1/0409; E03C 1/025;
E03C 1/0408; E03C 1/04; E03C 1/0401;
E03C 1/0402; E03C 1/0405; E03C
1/0412; Y10T 137/5339; Y10T 137/6014;
Y10T 137/6021
See application file for complete search history.

D654,568 S * 2/2012 Yu D23/238
D683,821 S * 6/2013 Reuter D23/238
D719,644 S * 12/2014 Sedwick D23/255
D737,935 S * 9/2015 Downey D23/238
D752,717 S * 3/2016 Eads D23/238
D759,204 S * 6/2016 Garland D23/238
D797,237 S * 9/2017 Zhang D23/238
D816,802 S * 5/2018 Tsai D23/238

(Continued)

FOREIGN PATENT DOCUMENTS

CN 201930532223.6 * 9/2019
GB 2000706 * 8/1989

OTHER PUBLICATIONS

Amazon, Moen Medina One-Handle Pullout Kitchen Faucet, posted Oct. 15, 2016, [online], [visited Aug. 28, 2021]. Internet, <URL: <https://www.amazon.co.uk/Moen-87039SRS-One-Handle-Pullout-Stainless/dp/B01MEF3DDA/ref>> (Year: 2016).*

(Continued)

Primary Examiner — Samantha Wood
(74) *Attorney, Agent, or Firm* — Nirav D. Parikh; Edgar A. Zarins

(57) **CLAIM**

The ornamental design for a faucet, as shown and described.

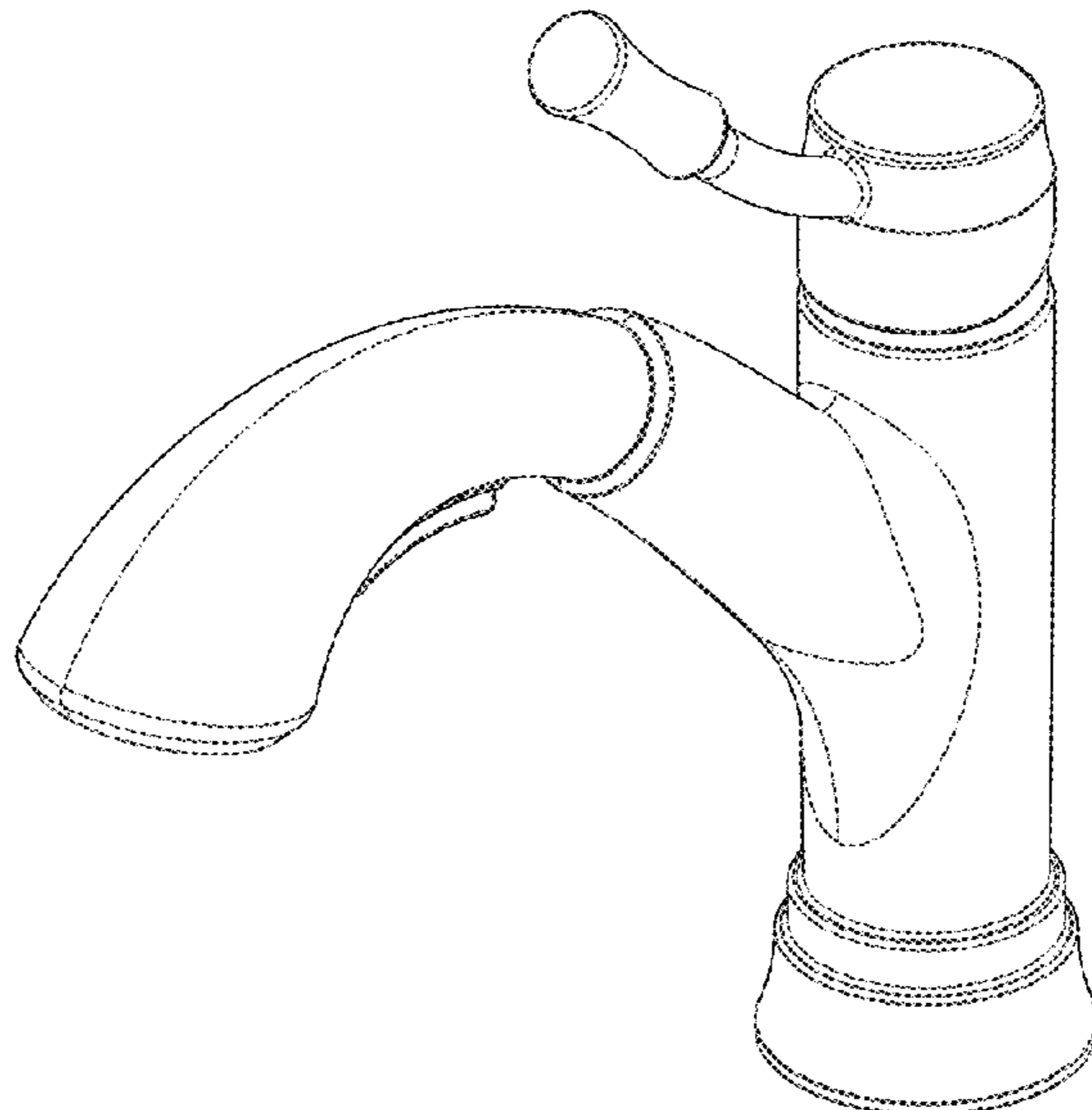
DESCRIPTION

FIG. 1 is a front perspective view of a faucet showing my new design;
FIG. 2 is a rear perspective view thereof;
FIG. 3 is a front elevational view thereof;
FIG. 4 is a left side view thereof;
FIG. 5 is a rear view thereof;
FIG. 6 is a right side view thereof;
FIG. 7 is a top plan view thereof; and,
FIG. 8 is a bottom view thereof.

1 Claim, 4 Drawing Sheets

(56) **References Cited**
U.S. PATENT DOCUMENTS

D187,206 S * 2/1960 Dreyfuss D23/252
D392,721 S * 3/1998 Doughty D23/252
D417,721 S * 12/1999 Lord D23/255
D476,396 S * 6/2003 Hanna D23/238
D534,623 S * 1/2007 Fritz D23/238
D566,817 S * 4/2008 Isaacs D23/255
D572,798 S * 7/2008 Bickler D23/238
D620,559 S * 7/2010 Romero D23/238
D630,303 S * 1/2011 Romero D23/252



(56)

References Cited

U.S. PATENT DOCUMENTS

D823,987 S * 7/2018 Downey D23/238
D840,506 S * 2/2019 Garland D23/238
D857,850 S * 8/2019 Bahler D23/242
2013/0333109 A1 * 12/2013 Li E03C 1/0402
4/695

OTHER PUBLICATIONS

Amazon, MAGT Water Sink Faucet, posted Aug. 12, 2019, [online],
[visited Aug. 28, 2021]. Internet, <URL: <https://www.amazon.co.uk/MAGT-Faucet-Vintage-Ceramic-Bathroom/dp/B07WG6TNGD/ref>> (Year: 2019).*

* cited by examiner

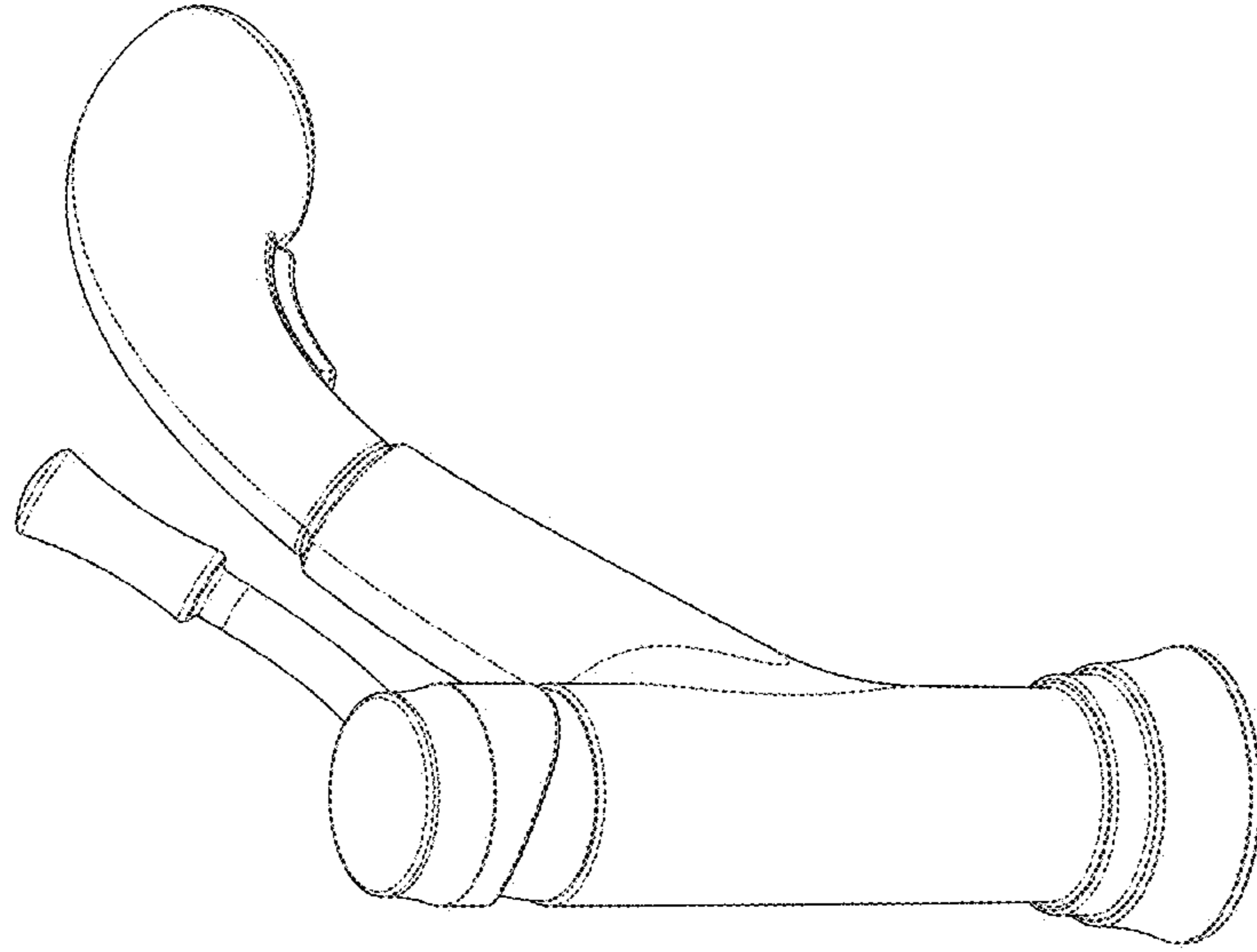


FIG - 2

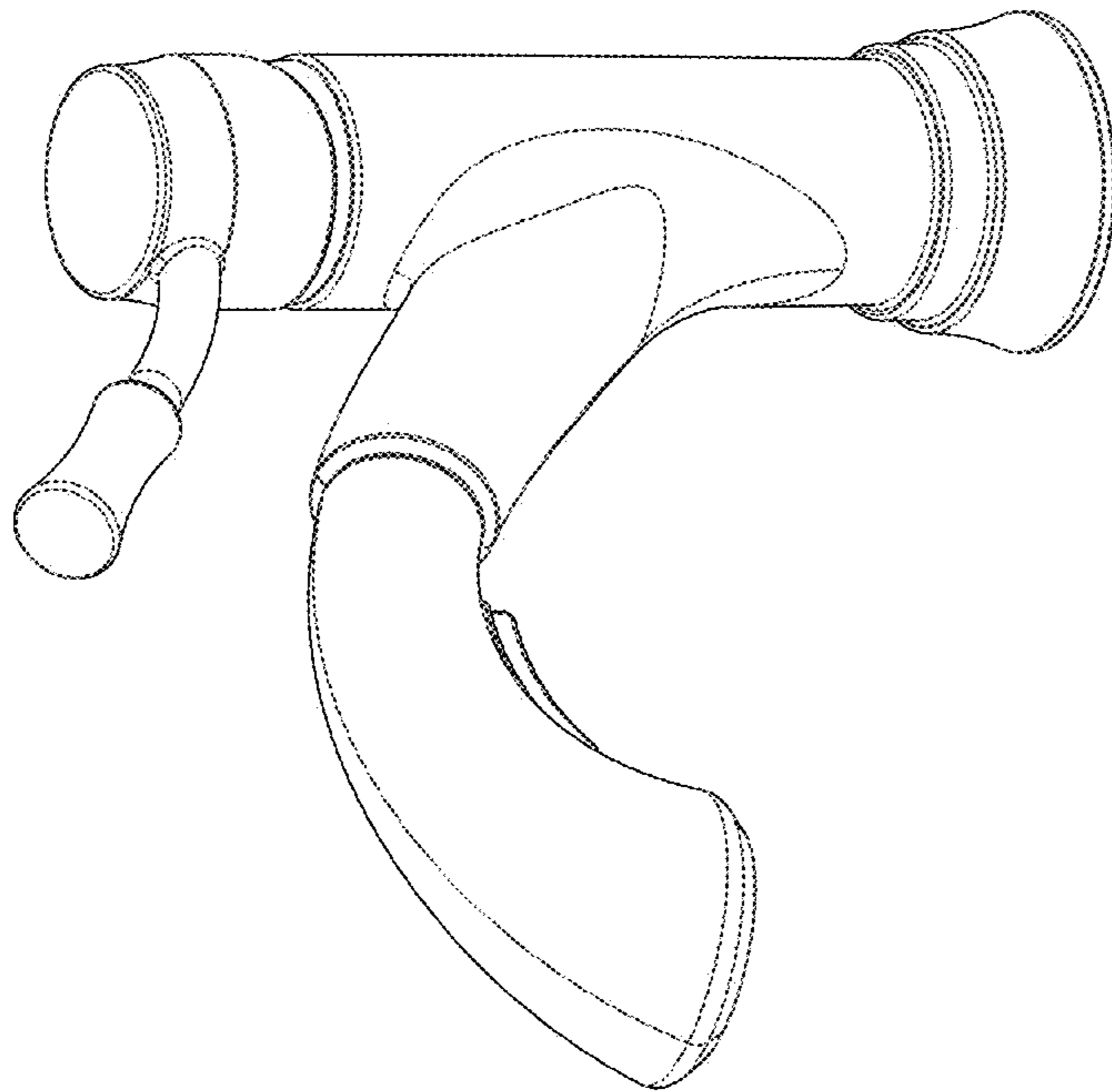


FIG - 1

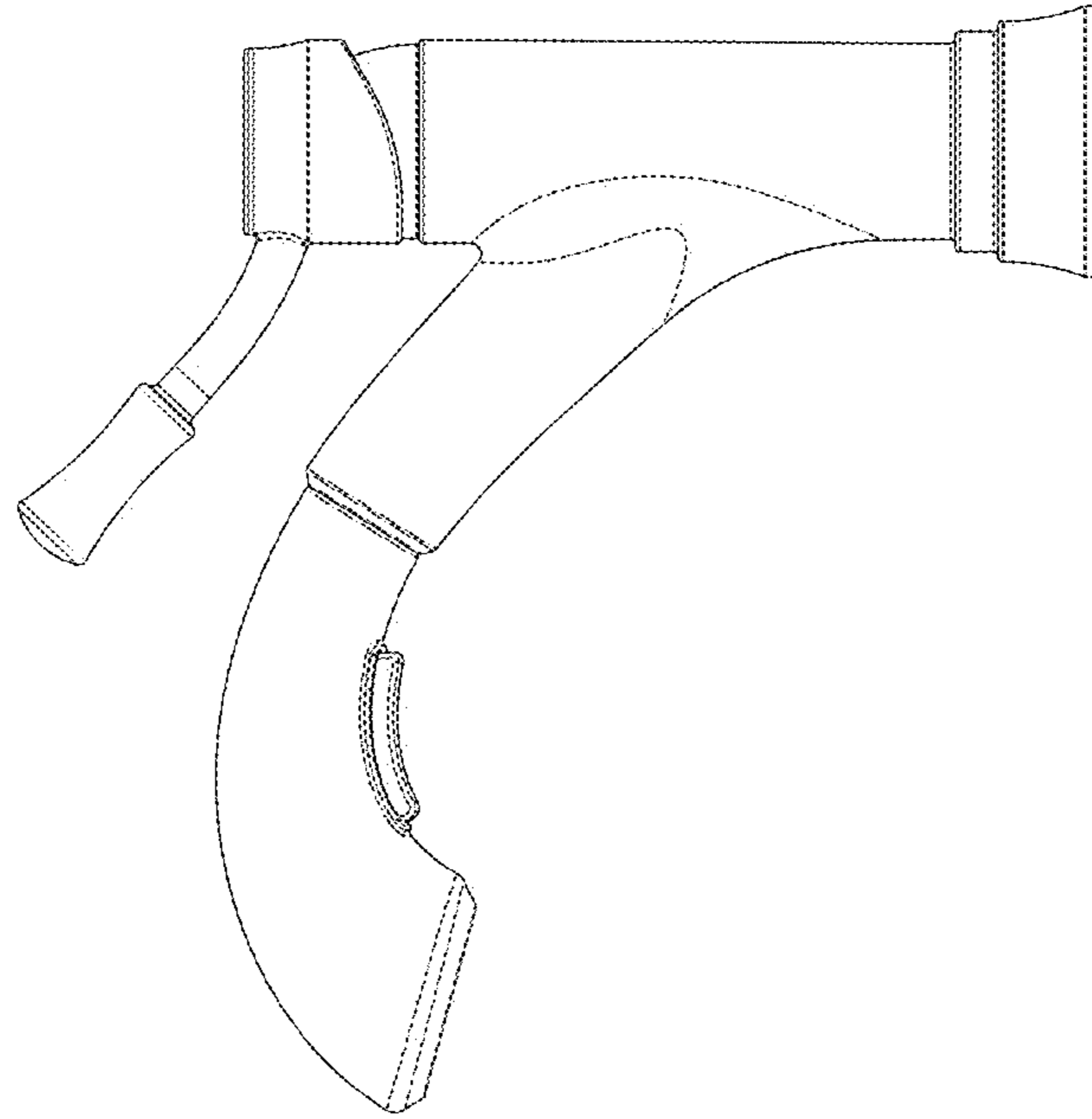


FIG - 4

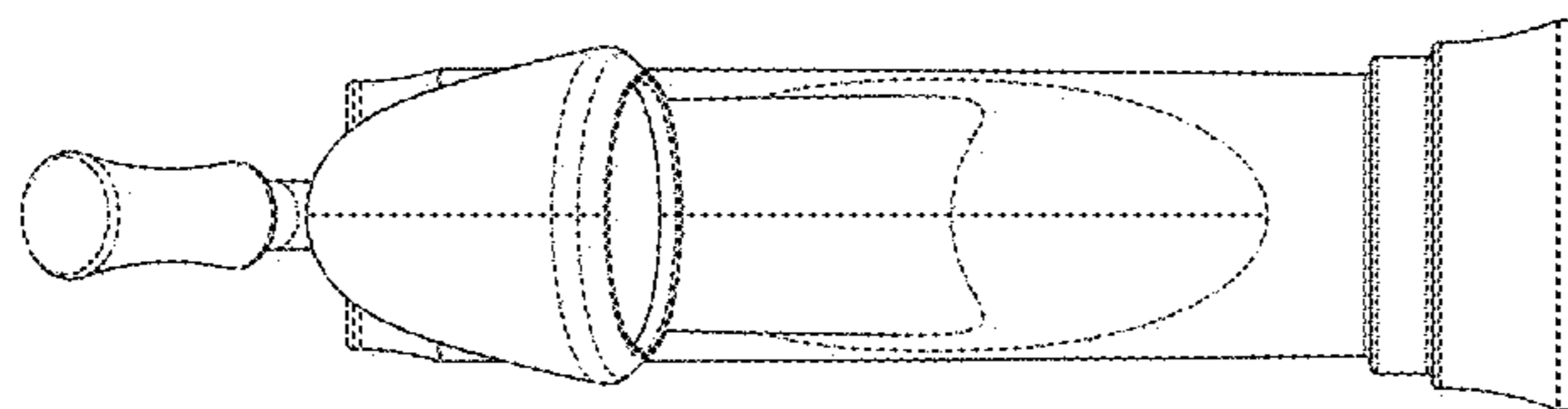


FIG - 3

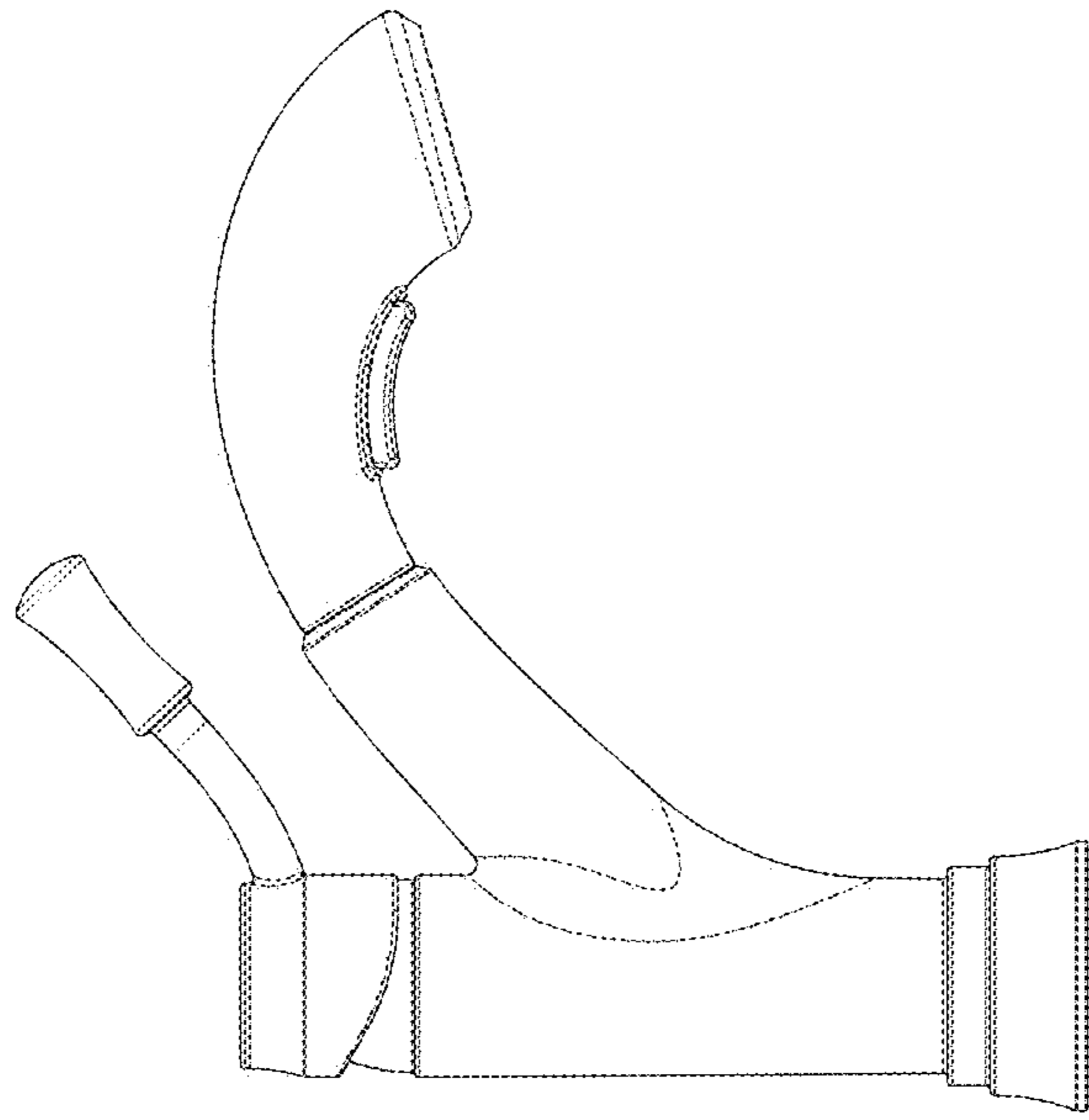


FIG - 6

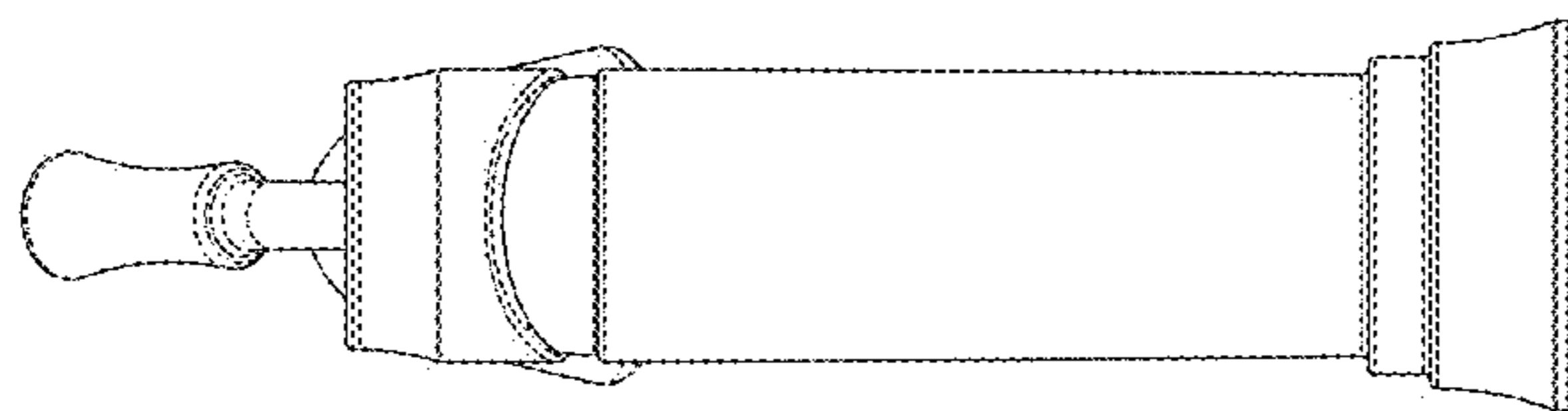


FIG - 5

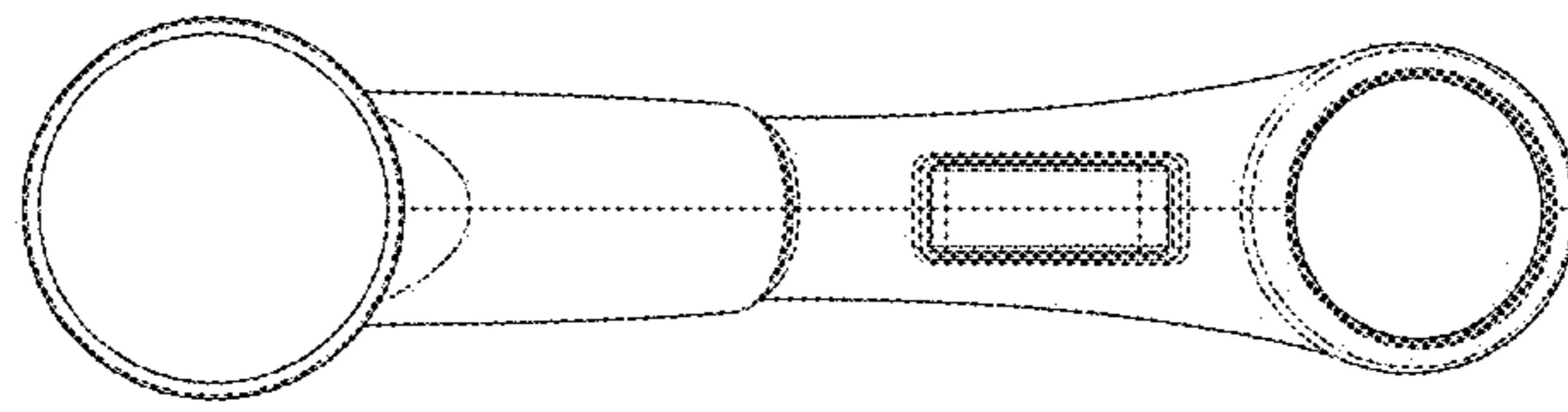


FIG - 8

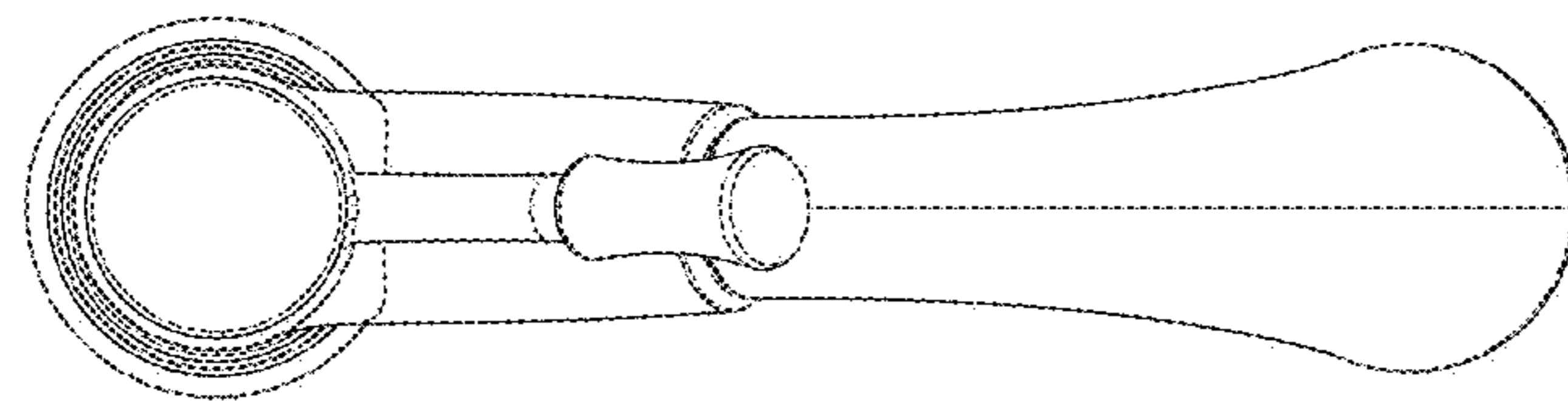


FIG - 7