



US00D954197S

(12) **United States Design Patent** (10) **Patent No.:** **US D954,197 S**  
**Fritz et al.** (45) **Date of Patent:** **\*\* Jun. 7, 2022**

(54) **FAUCET**

FOREIGN PATENT DOCUMENTS

(71) Applicant: **DELTA FAUCET COMPANY,**  
Indianapolis, IN (US)

CN 201530218622 \* 6/2015  
CN 201730119422 \* 4/2017

(72) Inventors: **Seth Fritz,** Carmel, IN (US); **Benjamin Stoler,** Carmel, IN (US)

OTHER PUBLICATIONS

(73) Assignee: **DELTA FAUCET COMPANY,**  
Indianapolis, IN (US)

Amazon, Hapilife Kitchen Sink Mixer Tap, posted Sep. 12, 2014, [online], [visited Nov. 15, 2021]. Internet, <URL: <https://www.amazon.co.uk/Hapilife-Warranty-Kitchen-Standard-Fittings/dp/B00NIOH2YW/ref>> (Year: 2014).\*

(\*\*) Term: **15 Years**

*Primary Examiner* — Samantha Wood

(21) Appl. No.: **29/746,142**

(74) *Attorney, Agent, or Firm* — Nirav D. Parikh; Edgar A. Zarins

(22) Filed: **Aug. 12, 2020**

(57) **CLAIM**

(51) **LOC (13) Cl.** ..... **23-01**

The ornamental design for a faucet, as shown and described.

(52) **U.S. Cl.**

**DESCRIPTION**

USPC ..... **D23/238**

(58) **Field of Classification Search**

USPC ..... D23/238, 239, 240, 241, 242, 243, 244,  
D23/245, 246, 247, 248, 249, 250, 251,  
D23/252, 253, 254, 255, 256, 257, 259  
CPC ..... Y10T 137/9464; E03C 1/00; E03C 1/02;  
E03C 1/04; E03C 1/042; E03C 1/044;  
E03C 1/0402; E03C 1/0403; E03C  
1/0405; E03C 1/0412

See application file for complete search history.

FIG. 1 is a front perspective view of a first embodiment of a faucet showing our new design; FIG. 2 is a rear perspective view thereof; FIG. 3 is a front elevational view thereof; FIG. 4 is a left side view thereof; FIG. 5 is a rear view thereof; FIG. 6 is a right side view thereof; FIG. 7 is a top plan view thereof; and FIG. 8 is a bottom view thereof; and FIG. 9 is a front perspective view of a second embodiment of a faucet showing our design; FIG. 10 is a rear perspective view thereof; FIG. 11 is a front elevational view thereof; FIG. 12 is a left side view thereof; FIG. 13 is a rear view thereof; FIG. 14 is a right side view thereof; FIG. 15 is a top plan view thereof; and, FIG. 16 is a bottom view thereof.

The broken lines are included for the purpose of illustrating portions of the article and form no part of the claimed design.

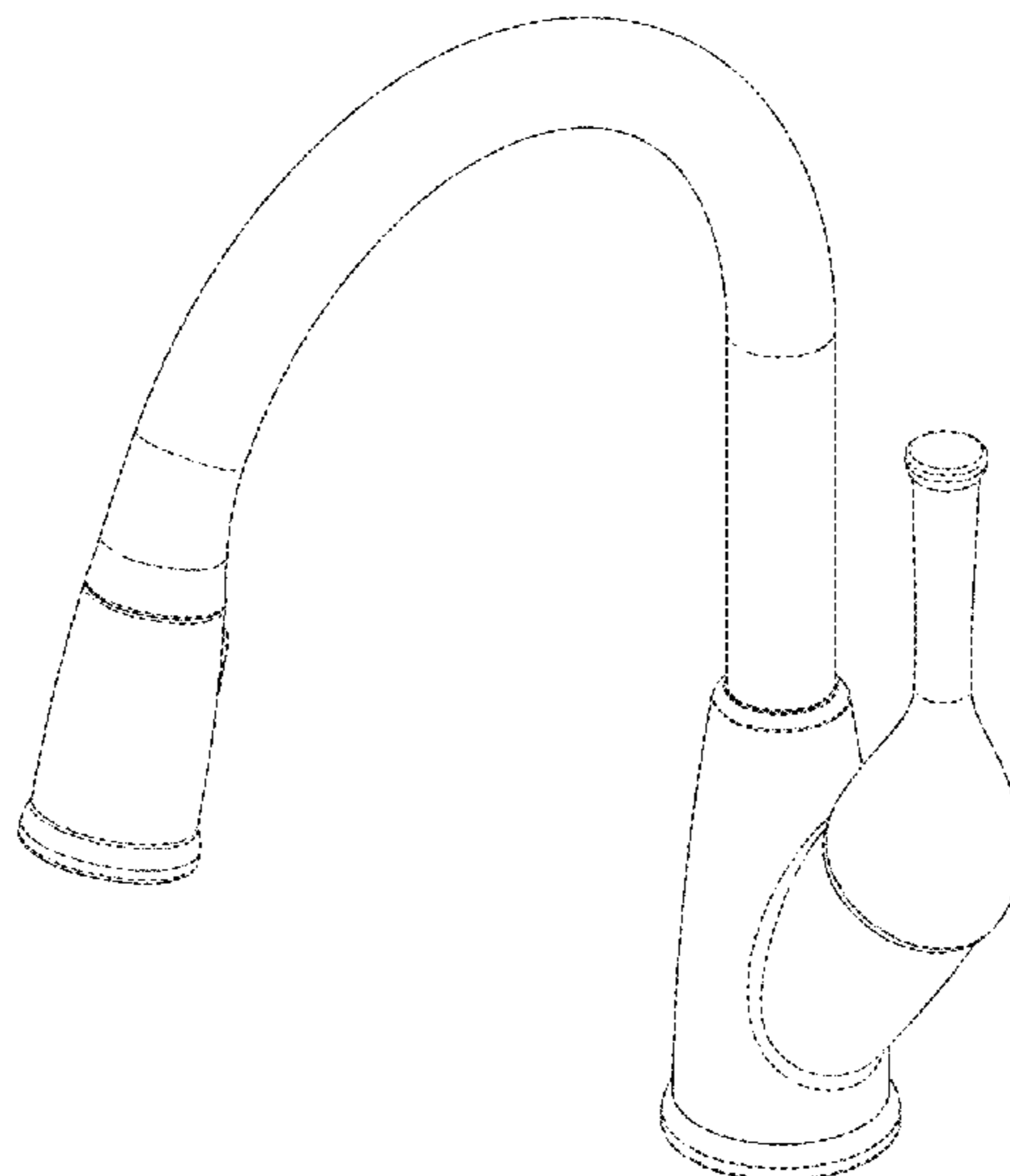
(56) **References Cited**

U.S. PATENT DOCUMENTS

D426,622 S \* 6/2000 Mark ..... D23/257  
D426,873 S \* 6/2000 Milrud ..... D23/255  
D519,615 S \* 4/2006 Fritz ..... D23/255  
D532,868 S \* 11/2006 Spangler ..... D23/238  
D534,246 S \* 12/2006 Chu ..... D23/238  
D534,622 S \* 1/2007 Chu ..... D23/238  
D535,724 S \* 1/2007 Zhou ..... D23/238  
D602,568 S \* 10/2009 Kwok ..... D23/238  
D736,898 S \* 8/2015 Garland ..... D23/238

(Continued)

**1 Claim, 8 Drawing Sheets**



(56)

**References Cited**

U.S. PATENT DOCUMENTS

D823,435	S *	7/2018	He	.....	D23/238
D828,508	S *	9/2018	Fritz	.....	D23/238
D828,907	S *	9/2018	Ceng	.....	D23/238
D847,304	S *	4/2019	Wu	.....	D23/238
D883,434	S *	5/2020	Lu	.....	D23/238
2006/0283511	A1 *	12/2006	Nelson	.....	E03C 1/0404 137/801
2011/0297248	A1 *	12/2011	Nelson	.....	F16K 27/044 137/343

\* cited by examiner

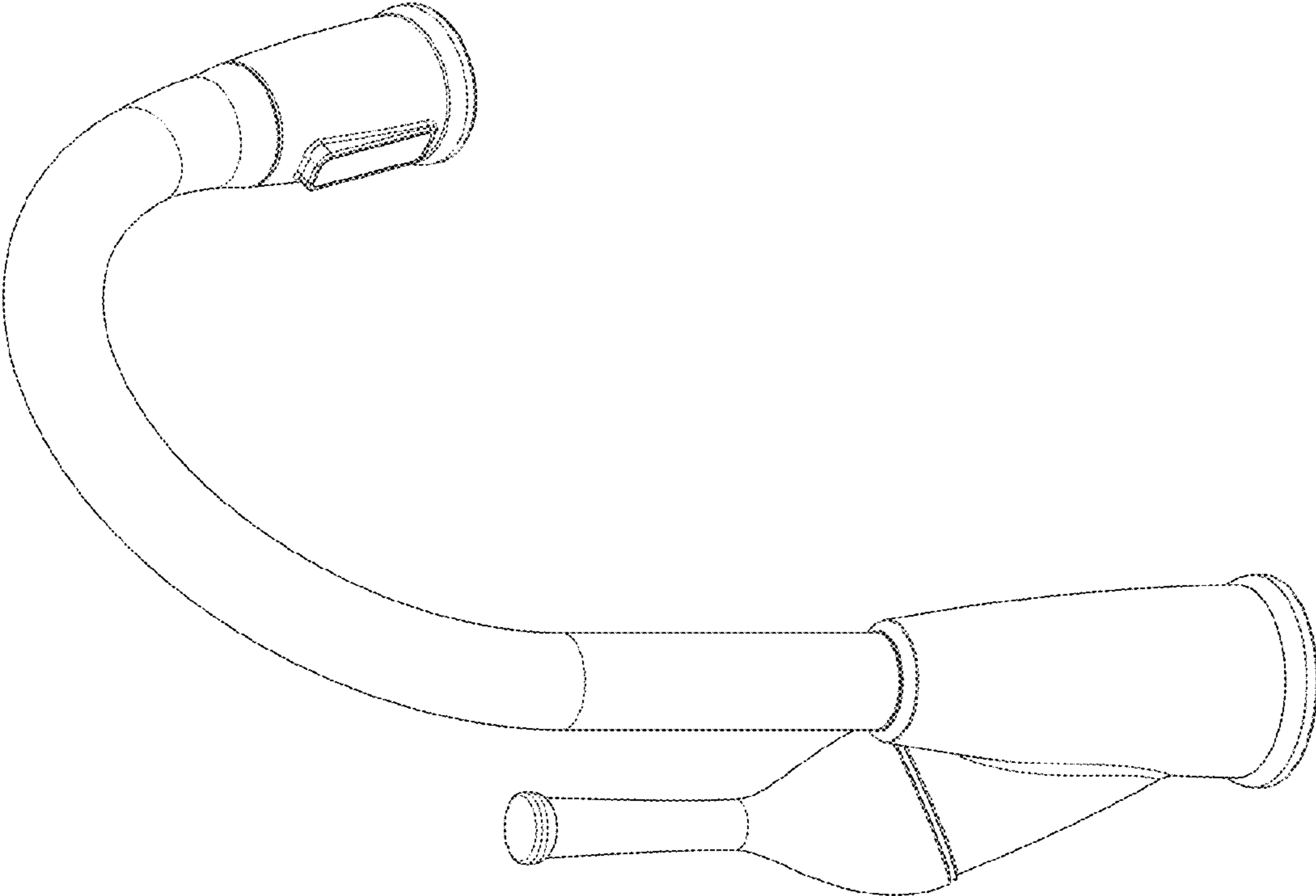


FIG - 2

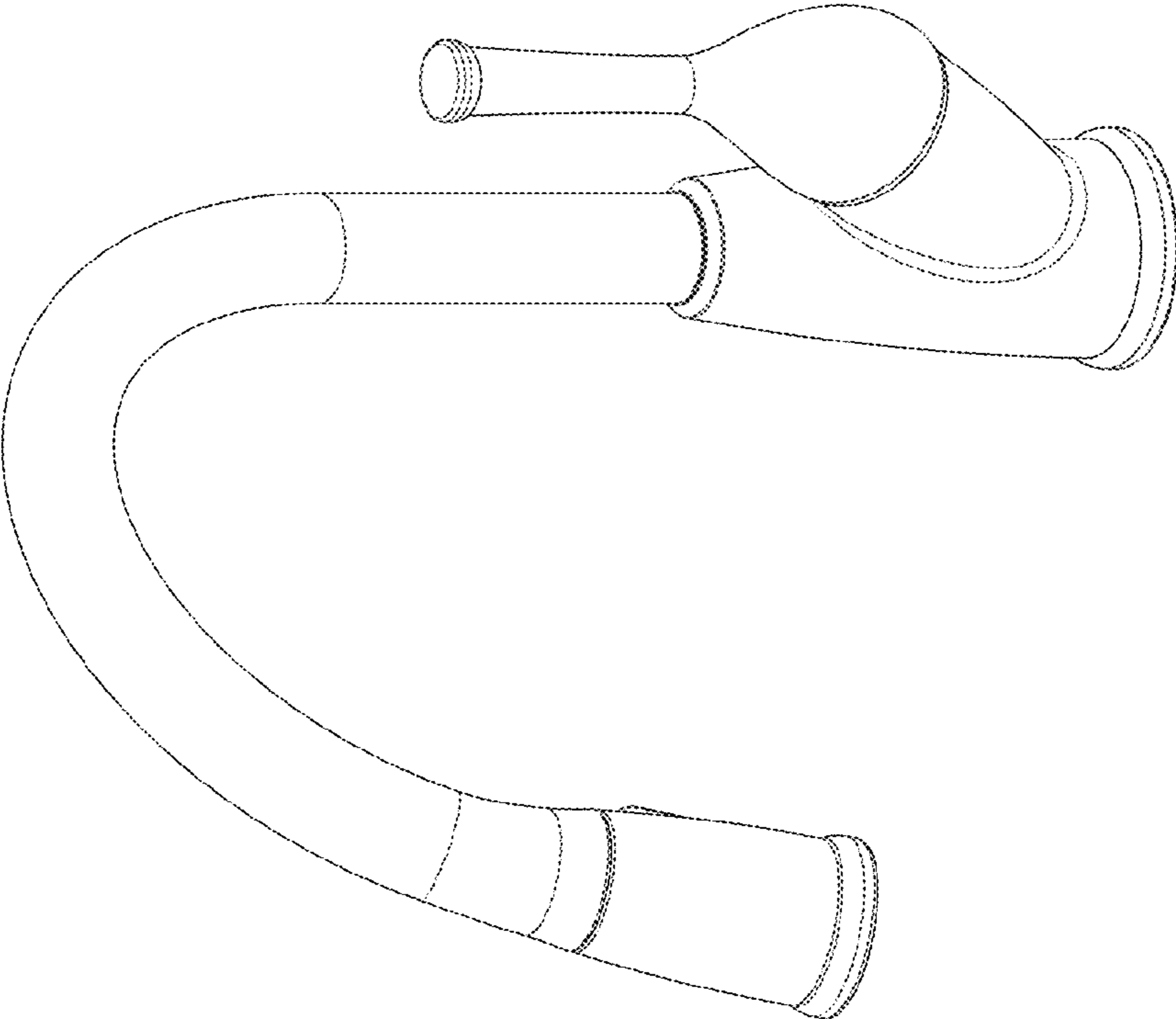


FIG - 1

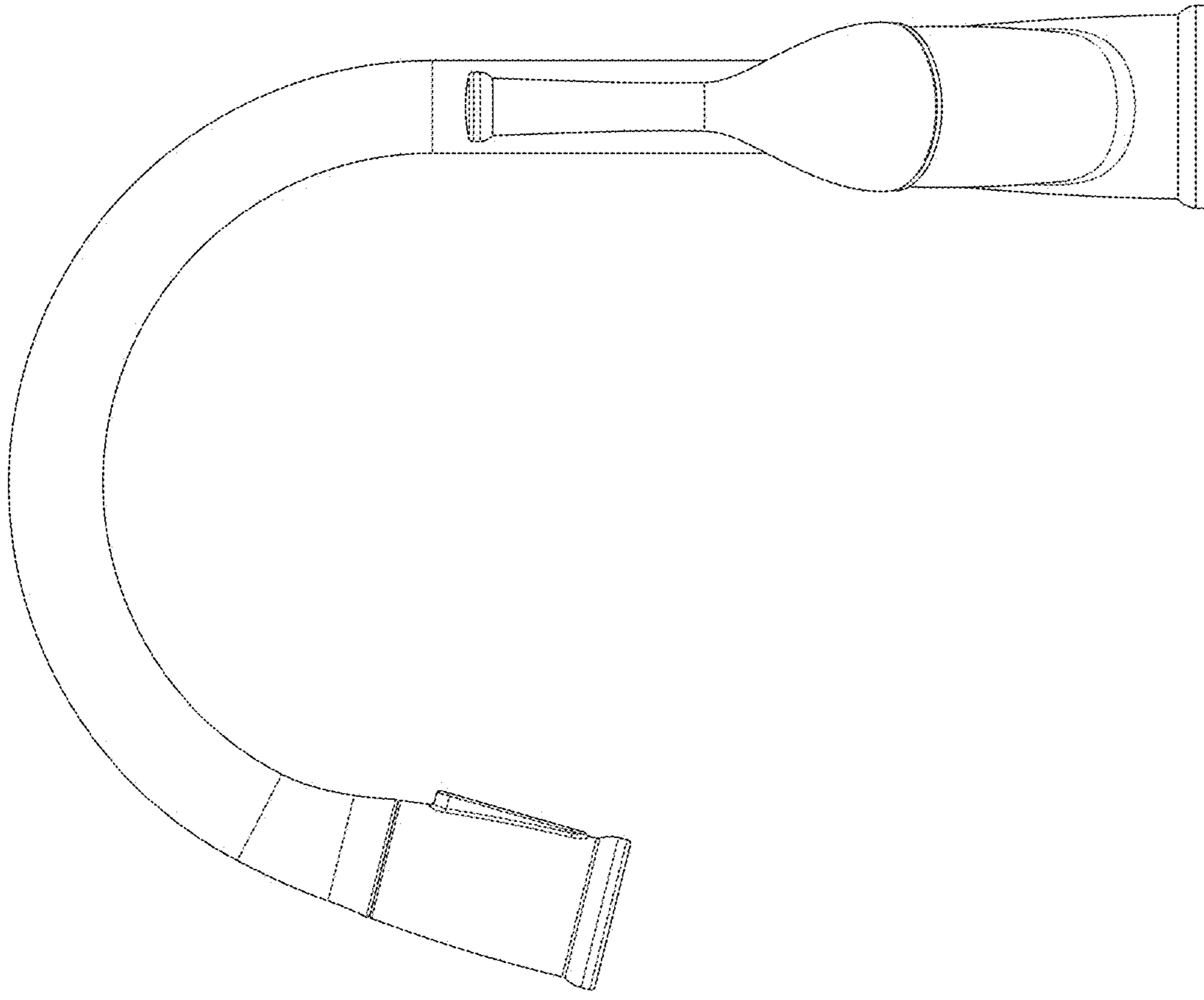


FIG - 4

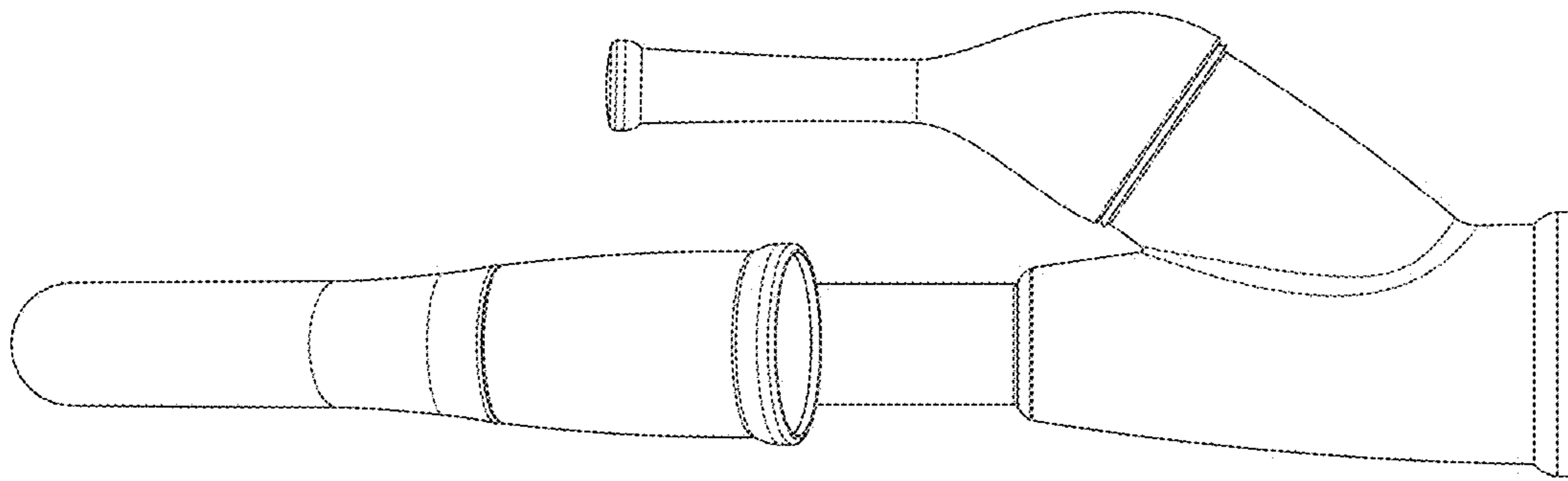


FIG - 3

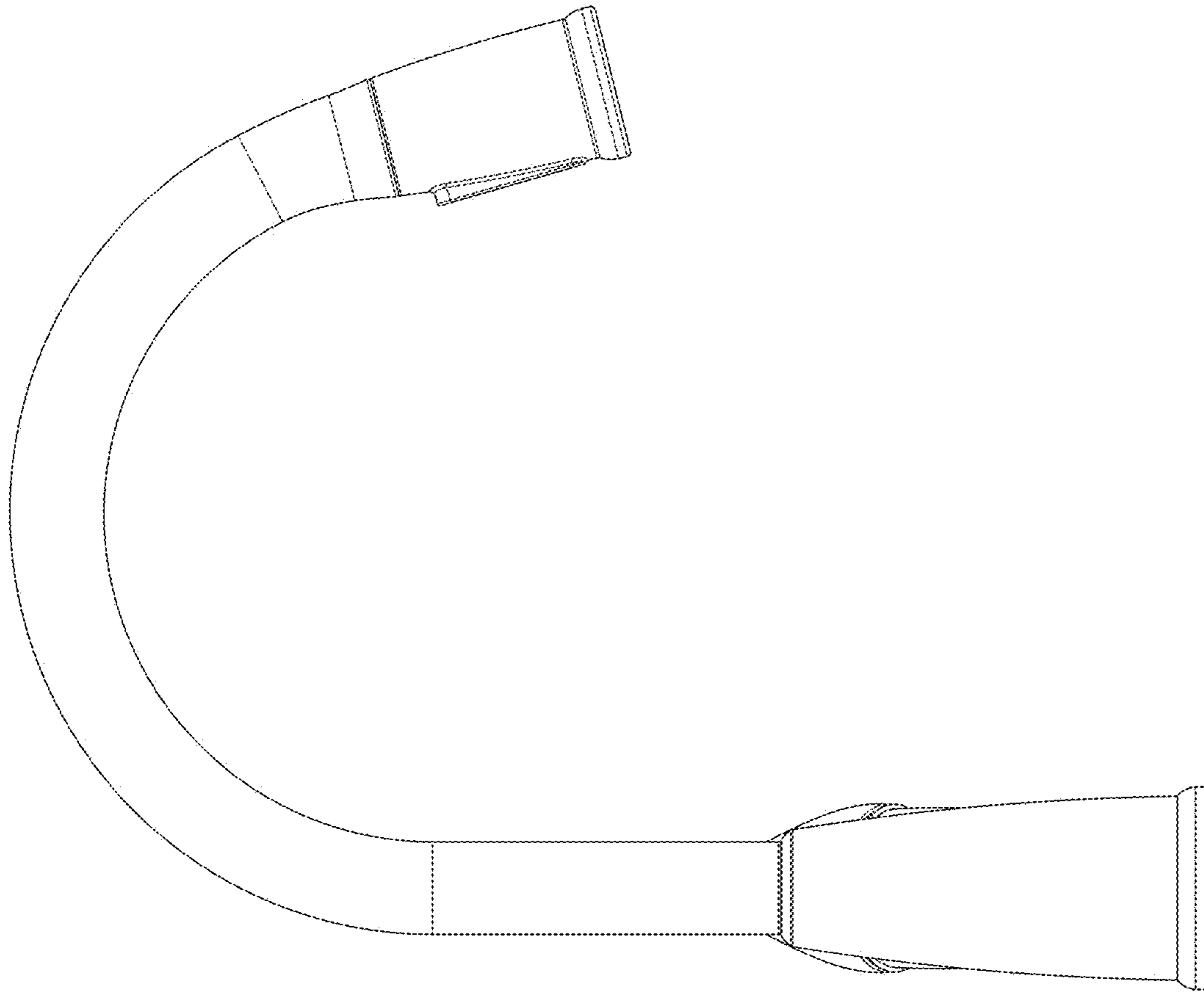


FIG - 6

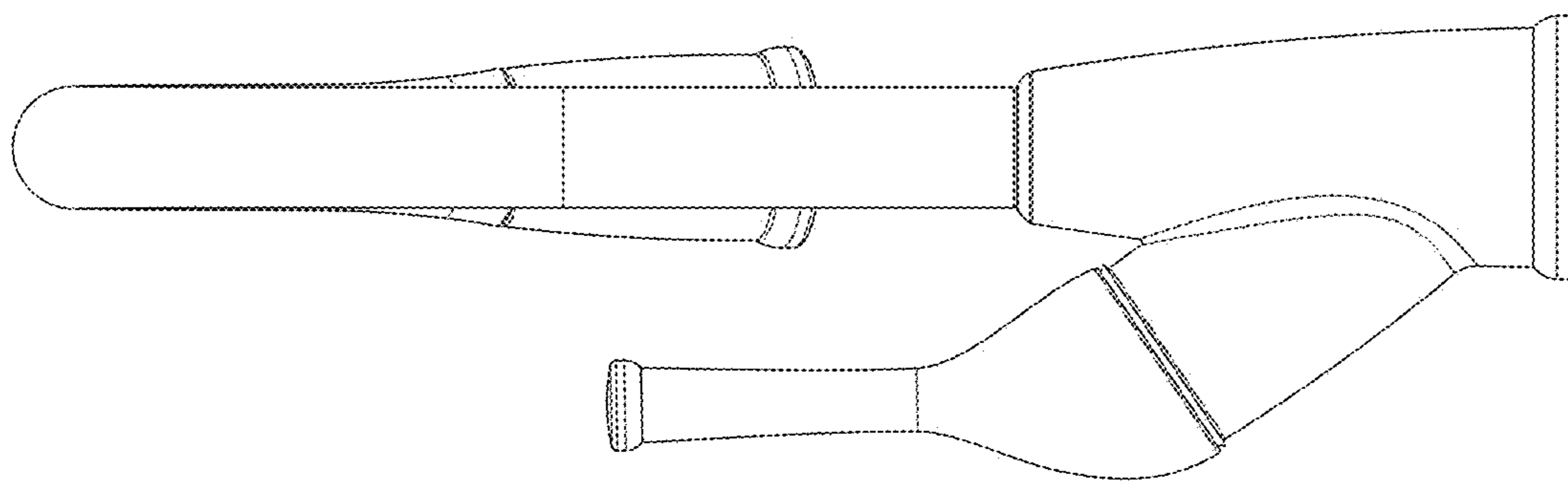


FIG - 5

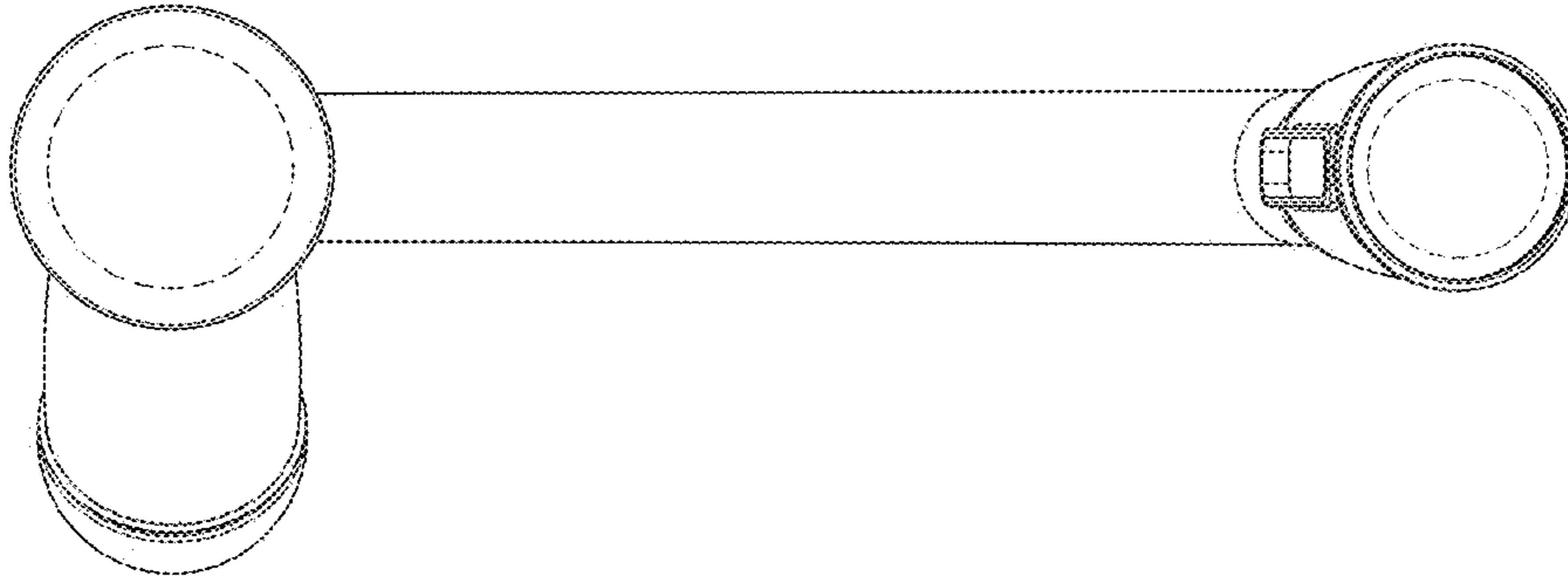


FIG - 8

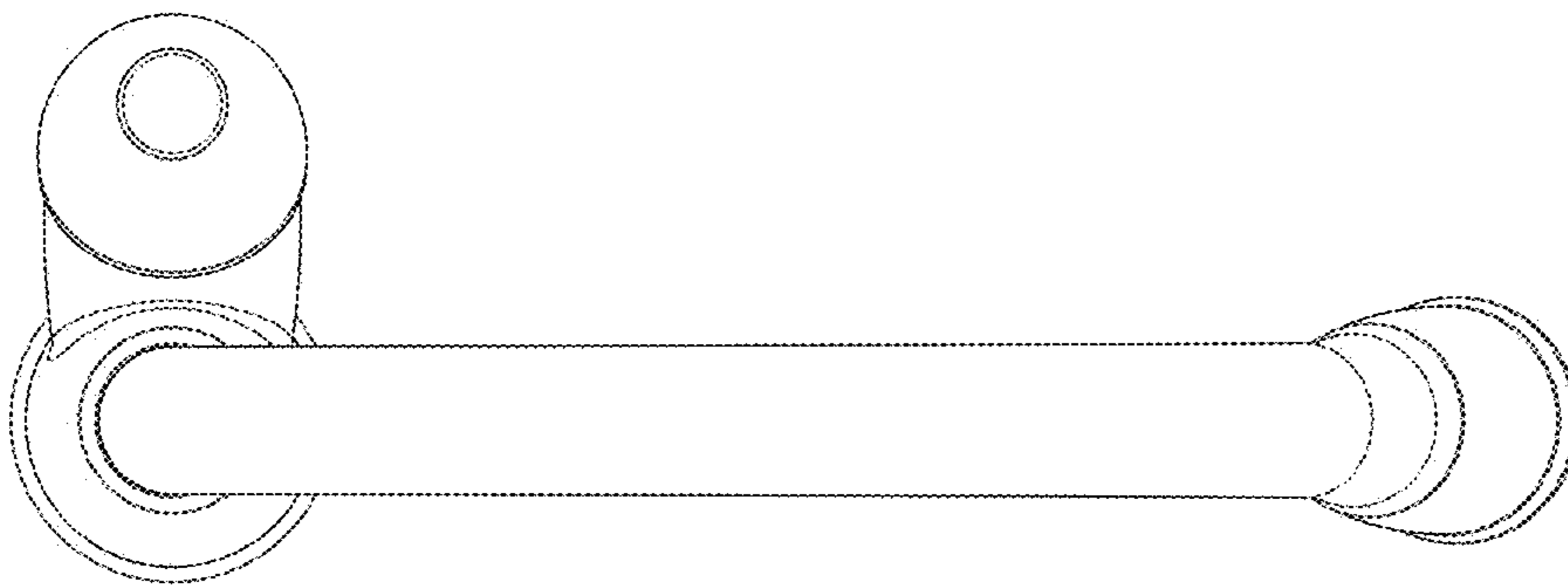


FIG - 7

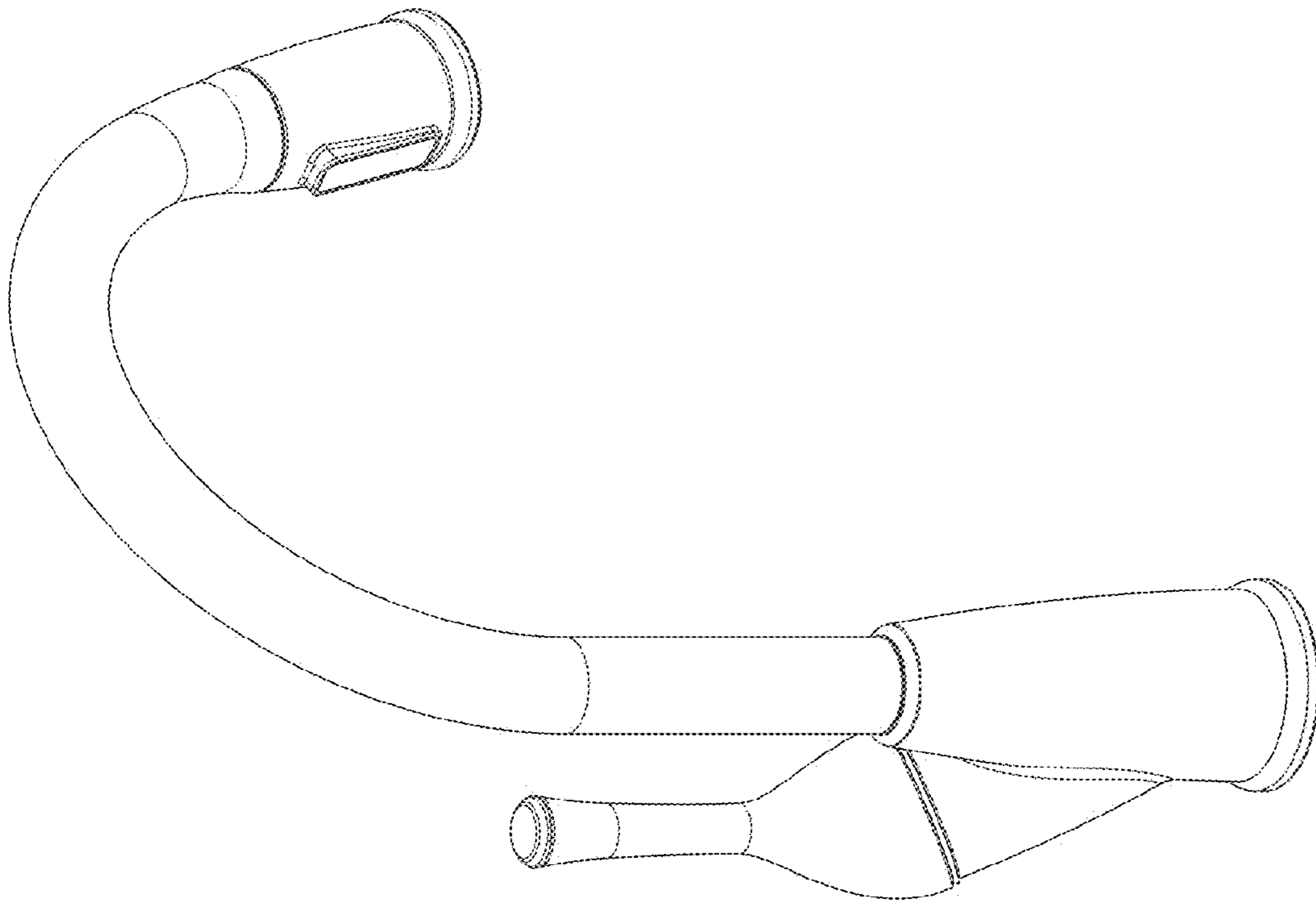


FIG - 10

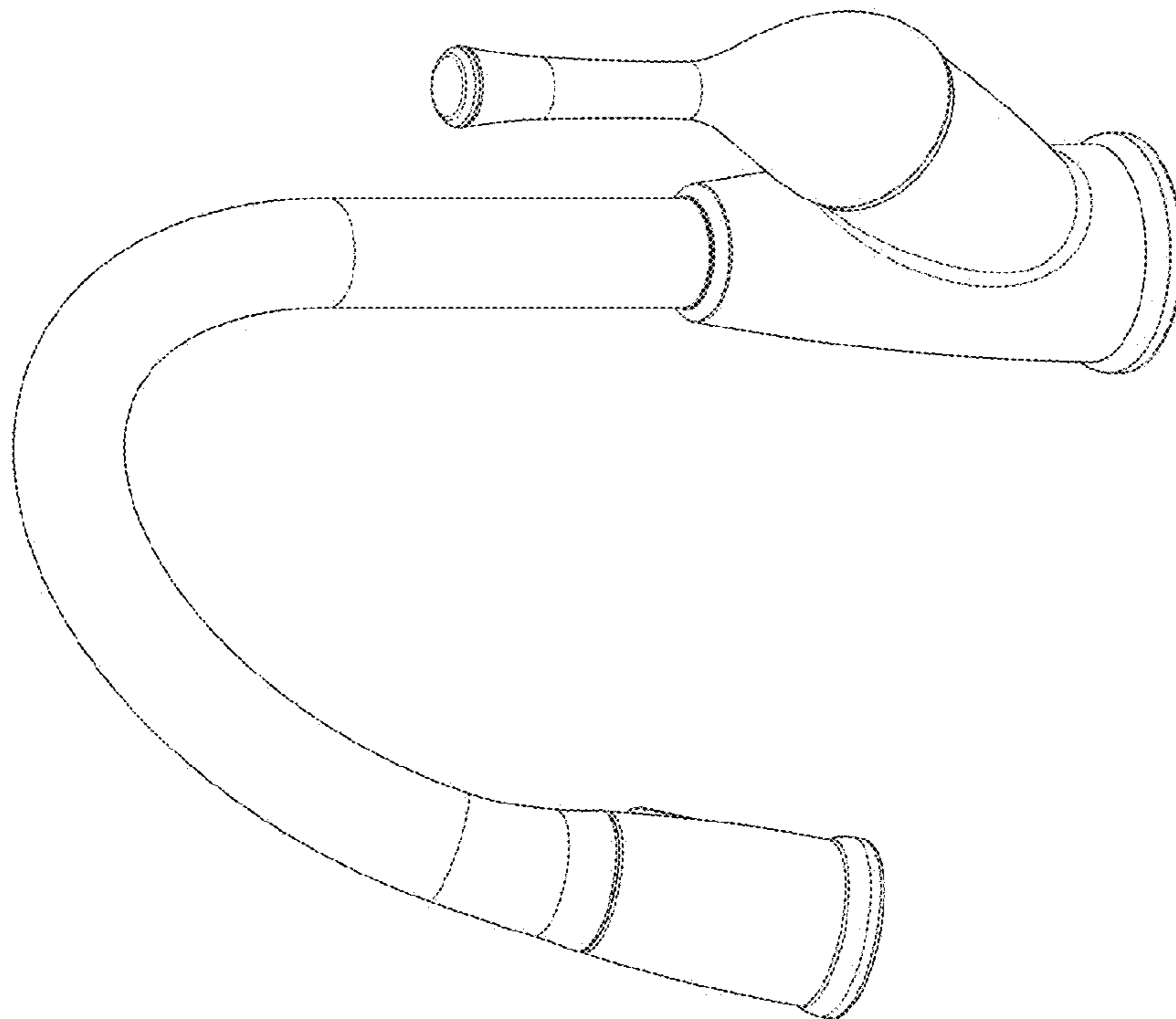


FIG - 9

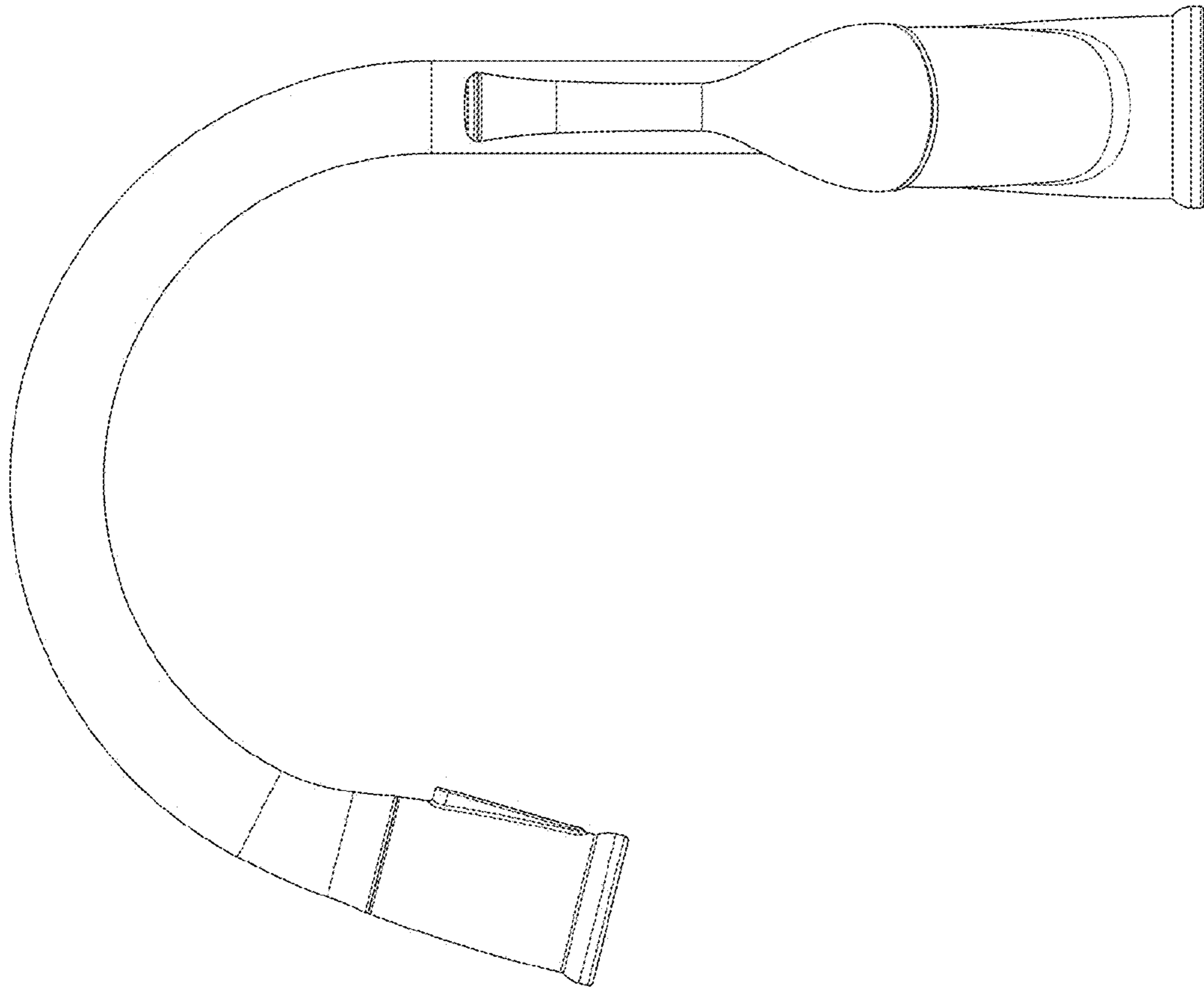


FIG - 11

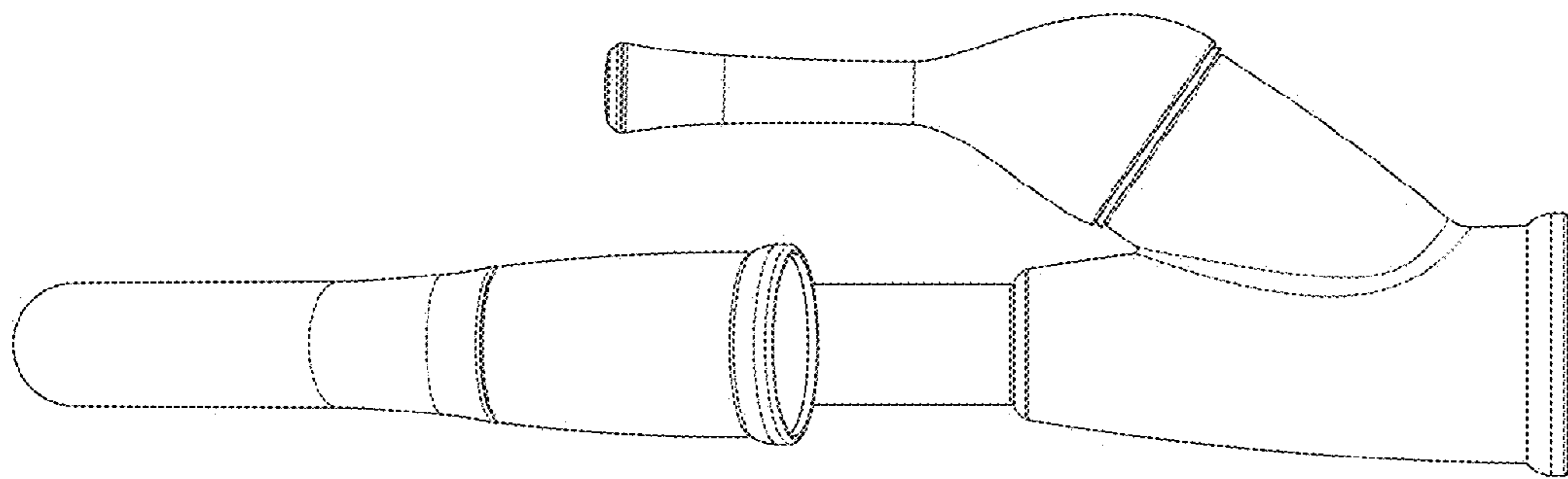


FIG - 12



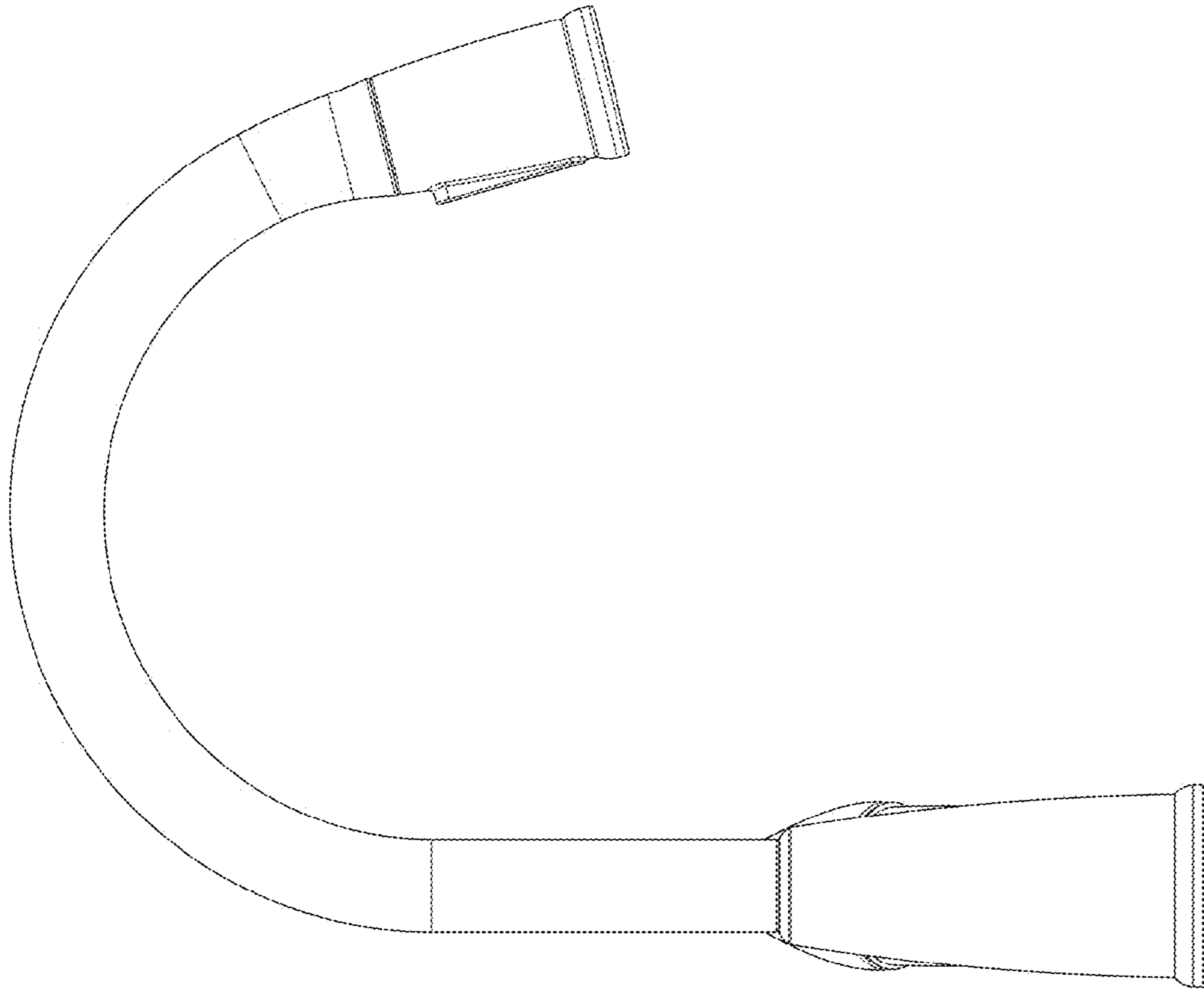


FIG - 14

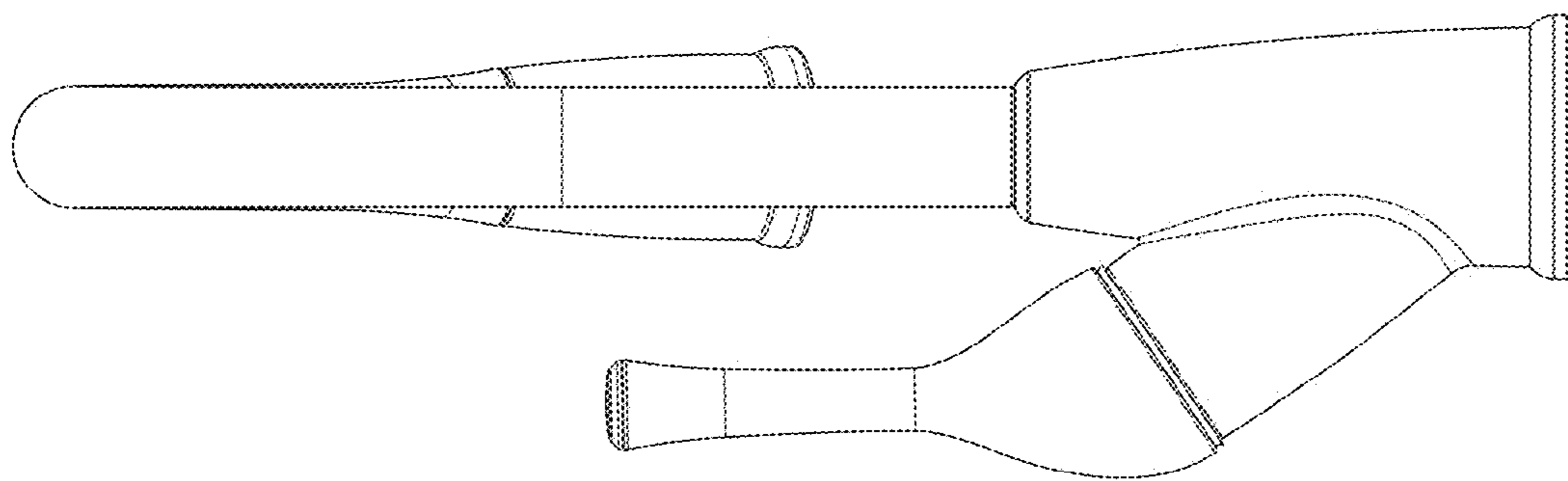


FIG - 13

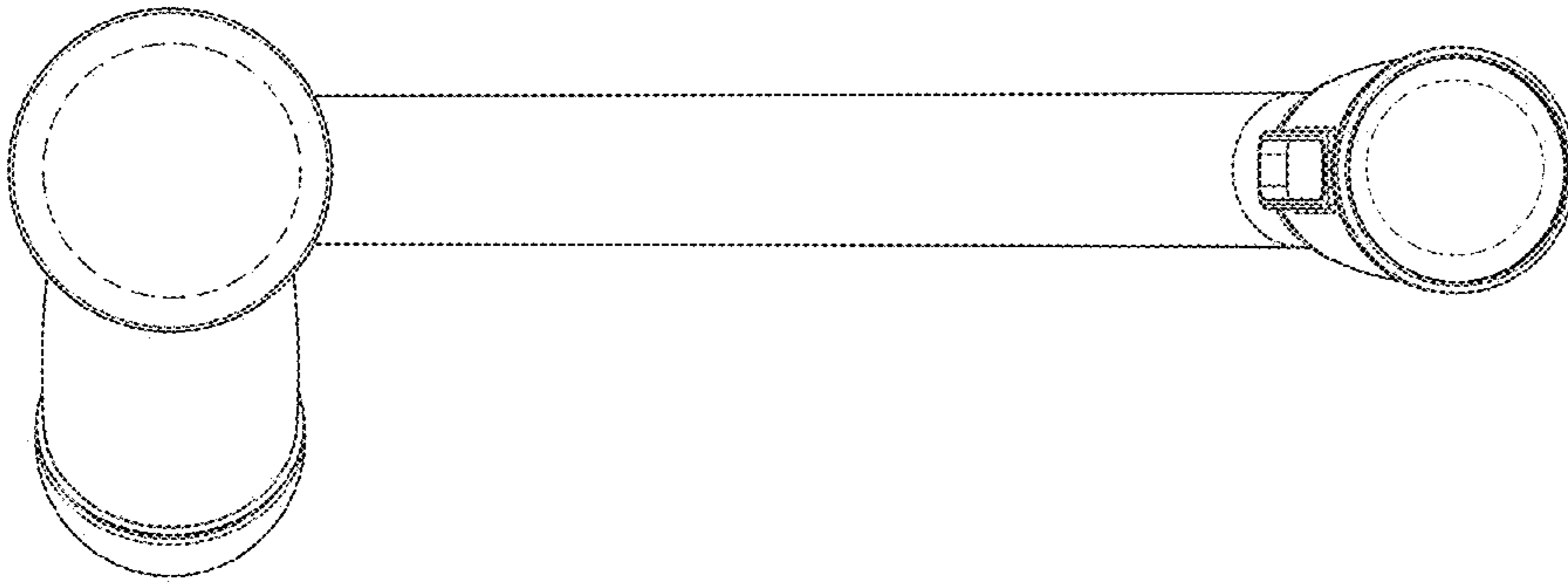


FIG - 16

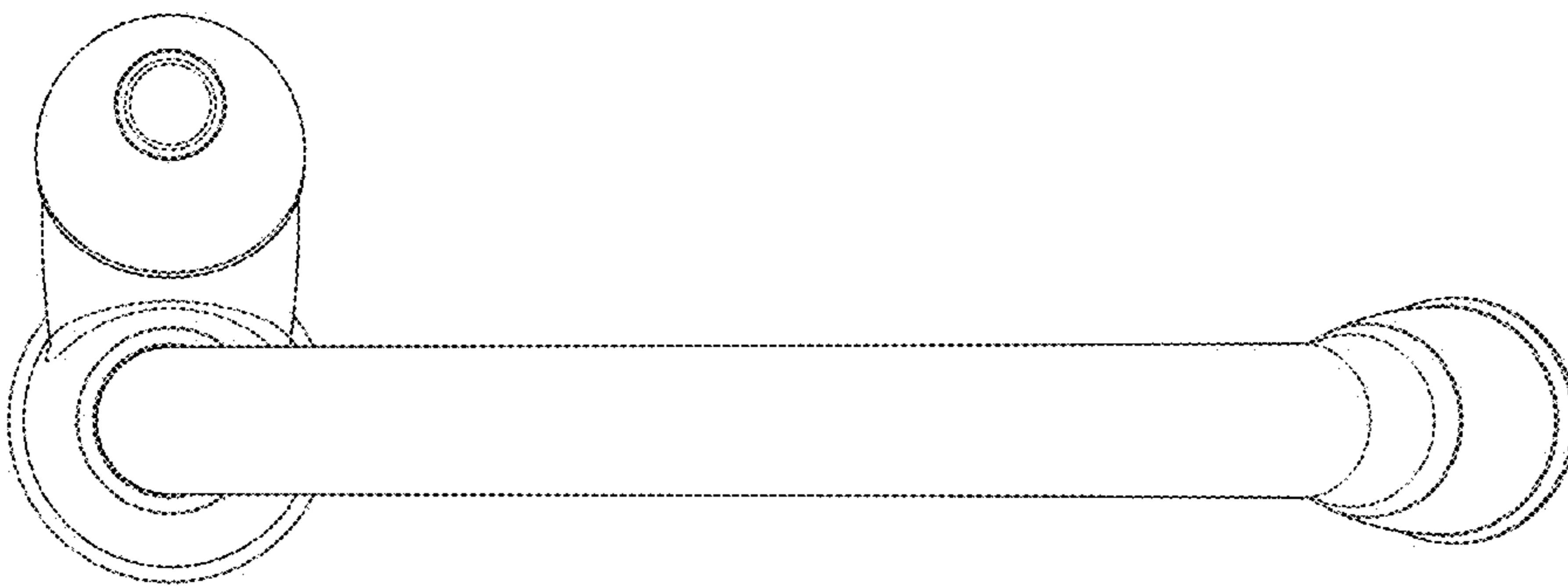


FIG - 15