



US00D954196S

(12) **United States Design Patent**  
**Downey**

(10) **Patent No.:** **US D954,196 S**  
(45) **Date of Patent:** **\*\* Jun. 7, 2022**

(54) **FAUCET**  
(71) Applicant: **Spectrum Brands, Inc.**, Middleton, WI (US)  
(72) Inventor: **David Downey**, Mission Viejo, CA (US)  
(73) Assignee: **Spectrum Brands, Inc.**, Middleton, WI (US)

D735,298 S 7/2015 Eads  
D786,404 S 5/2017 Kaule et al.  
D786,409 S 5/2017 Rexach  
D795,396 S 8/2017 Kaule et al.  
D802,720 S 11/2017 Haug et al.  
(Continued)

(\*\*) Term: **15 Years**

(21) Appl. No.: **29/746,011**

(22) Filed: **Aug. 11, 2020**

(51) **LOC (13) Cl.** ..... **23-01**

(52) **U.S. Cl.**  
USPC ..... **D23/238**

(58) **Field of Classification Search**  
USPC ..... D23/257, 259, 234-241, 242-255  
CPC ..... Y10T 137/9464; E03C 1/00; E03C 1/02;  
E03C 1/04; E03C 1/0412; E03C 1/042;  
E03C 1/044; D03C 1/0402; D03C 1/0405  
See application file for complete search history.

(56) **References Cited**

**U.S. PATENT DOCUMENTS**

D479,309 S \* 9/2003 Haug ..... D23/238  
D513,526 S \* 1/2006 Marshall ..... D23/238  
D520,114 S 5/2006 Starck  
D534,620 S 1/2007 Zhou  
D534,990 S 1/2007 Zhou  
D576,255 S \* 9/2008 Nobili ..... D23/238  
D587,343 S \* 2/2009 Nobili ..... D23/213  
D589,594 S \* 3/2009 Lammel ..... D23/238  
D605,260 S \* 12/2009 Allard ..... D23/255  
D615,622 S 5/2010 Pan  
D645,120 S \* 9/2011 Lammel ..... D23/238  
D651,284 S \* 12/2011 Flowers ..... D23/243  
D685,878 S 7/2013 Fritz

**FOREIGN PATENT DOCUMENTS**

CN 3454223 6/2005  
CN 301053747 11/2009  
(Continued)

**OTHER PUBLICATIONS**

Amazon, ATUM Home Single Lever Kitchen Tap, posted Mar. 14, 2020, [online], [visited Nov. 2, 2021]. Internet, <URL: <https://www.amazon.co.uk/ATUM-HOME-Monobloc-Kitchen-Sprayer/dp/B08H5JXXTC/ref>> (Year: 2020).\*  
(Continued)

*Primary Examiner* — Samantha Wood  
(74) *Attorney, Agent, or Firm* — Banner & Witcoff, Ltd.

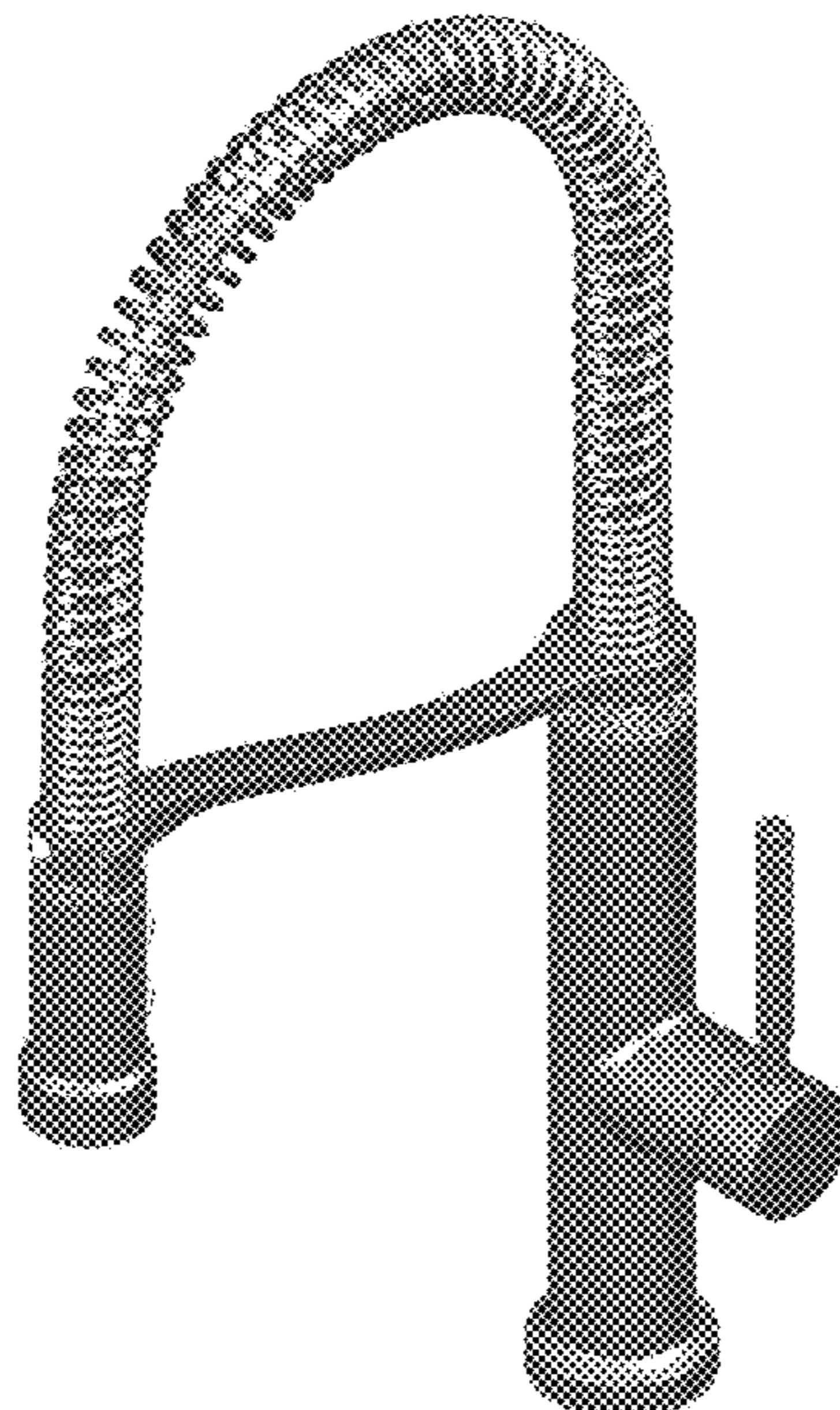
(57) **CLAIM**

The ornamental design for a faucet, as shown and described.

**DESCRIPTION**

FIG. 1 is a front perspective view of a faucet showing my new design;  
FIG. 2 is a front view thereof;  
FIG. 3 is a rear view thereof;  
FIG. 4 is a right side view thereof;  
FIG. 5 is a left side view thereof;  
FIG. 6 is a top view thereof; and,  
FIG. 7 is a bottom view thereof.  
The broken lines immediately adjacent to the photographic area define the bounds of the claimed design and form no part thereof. The unshaded areas within the broken lines form no part of the claimed design.

**1 Claim, 5 Drawing Sheets**



(56)

References Cited

U.S. PATENT DOCUMENTS

D802,722	S	*	11/2017	Flowers	.....	D23/252
D804,615	S	*	12/2017	Seum	.....	D23/238
D807,989	S		1/2018	Kaule et al.		
D819,177	S		5/2018	Kaule et al.		
D820,401	S		6/2018	Zeng		
D823,988	S	*	7/2018	Soulier	.....	D23/238
D825,035	S		8/2018	Rexach		
D844,109	S		3/2019	Rexach		
D846,077	S		4/2019	Liu		
D846,084	S		4/2019	Kaule et al.		
D853,533	S		7/2019	Rexach		
D857,844	S		8/2019	Levi		
D861,832	S		10/2019	Zeng		
D862,647	S		10/2019	Zeng		
D862,648	S		10/2019	Zeng		
D862,652	S		10/2019	Zeng		
D863,505	S		10/2019	Zeng		
D863,506	S		10/2019	Hayner et al.		
D864,356	S		10/2019	Zhang		
D867,546	S		11/2019	Kaule et al.		

FOREIGN PATENT DOCUMENTS

CN	301433768		1/2011	
CN	301660909		8/2011	
CN	301729006		11/2011	
CN	301832569		2/2012	
CN	201230304289	*	7/2012	
CN	302280649		1/2013	
CN	302505484		7/2013	
CN	302875221		7/2014	
CN	303090516		1/2015	
CN	303191335		4/2015	
CN	303960849		12/2016	
CN	304007022		1/2017	
CN	304007024		1/2017	
CN	304015452		1/2017	
CN	304118746		4/2017	
CN	304140206		5/2017	
CN	304192197		6/2017	
CN	304192228		6/2017	
CN	304222931		7/2017	
CN	304341399		11/2017	
CN	305029033		2/2019	
CN	201930075284.4	*	2/2019	
CN	201930075637.0	*	2/2019	
CN	201930270393.1	*	5/2019	
CN	305322207		8/2019	
CN	305367692		9/2019	
CN	305413523		11/2019	
CN	305413528		11/2019	
CN	305505139		12/2019	
CN	305505216		12/2019	
CN	305538274		1/2020	
CN	305545520		1/2020	
CN	305554180		1/2020	
CN	305619761		2/2020	
CN	305619763		2/2020	
CN	305619765		2/2020	
CN	305619789		2/2020	
CN	305656066		3/2020	
CN	305656067		3/2020	
EM	000802046-0005		11/2007	
WO	D063458-001		4/2003	
WO	D063458-002		4/2003	

OTHER PUBLICATIONS

Amazon, Suguworld Kitchen Tap Brushed Nickel, posted Aug. 26, 2018, [online], [visited Nov. 2, 2021]. Internet, <URL: <https://www.amazon.co.uk/Suguword-Kitchen-Brushed-Nickel-Sprayer/dp/B07GVLS5ZY/ref>> (Year: 2018).\*

amazon.co.uk/Suguword-Kitchen-Brushed-Nickel-Sprayer/dp/B07GVLS5ZY/ref> (Year: 2018).\*

“Project Source Brushed Nickel 1-Handle Deck Mount Pull-down Commercial/Residential Kitchen Faucet”; Lowes; retrieved Apr. 14, 2020; publication date unknown but prior to filing date of present application; URL: <<https://www.lowes.com/pd/Project-Source-Brushed-Nickel-1-Handle-Deck-Mount-Pull-down-Commercial-Residential-Kitchen-Faucet/1001368238>>.

“American Standard 4332.350.002 Polished Chrome Pekoe Semi-Professional Pre-Rinse Kitchen Faucet”; American Standard; retrieved Apr. 14, 2020; publication date unknown but prior to filing date of present application; URL: <<https://www.build.com/american-standard-4332-350/>>.

“Gourmetier LS8778DKL Kaiser Single-Handle Pre-Rinse Kitchen Faucet, Brushed Nickel”; Kingston Brass; retrieved Apr. 14, 2020; publication date unknown but prior to filing date of present application; URL: <<https://www.kingstonbrass.com/product/kingston-brass-ls8778dkl/>>.

“Tournant Pullout Spray High Arch 24-1/2" Pre-Rinse Kitchen Faucet with Sweep Spray”; Kohler; retrieved Apr. 14, 2020; publication date unknown but prior to filing date of present application; URL: <<https://www.build.com/kohler-k-77515/s1257977>>.

“Kohler Purist® 1.50 GPM Pullout Spray Single Hole Kitchen Faucet K-24982-CP Polished Chrome”; Kohler; retrieved Apr. 14, 2020; publication date unknown but prior to filing date of present application; URL: <https://www.supply.com/kohler-purist%C2%AE-1.50-gpm-pullout-spray-single-hole-kitchen-faucet-k-24982-cp-polished-chrome/p2183728>.

“Kohler R10651-SD-CP Sous Pro-Style Single-Handle Pull-Down Sprayer Kitchen Faucet in Chrome”; Kohler; retrieved Apr. 14, 2020; publication date unknown but prior to filing date of present application; URL: <<https://www.amazon.com/Kohler-R10651-SD-CP-Pro-Style-Single-Handle-Pull-Down/>>.

“KRAUS Bolden Single-Handle Pull-Down Sprayer Kitchen Faucet with Dual Function Spray Head in Chrome-KPF-1610CH”; KRAUS; retrieved Apr. 14, 2020; publication date unknown but prior to filing date of present application; URL: <<<https://www.homedepot.com/p/KRAUS-Bolden-Single-Handle-Pull-Down-Sprayer-Kitchen-Faucet-with-Dual-Function-Spray-Head-in-Chrome-KPF-1610CH/>>>.

“Moen 5923 Chrome Align 1.5 GPM Single Hole Pull Down Kitchen Faucet with Spot Resist Finish and Duralast”; MOEN; retrieved Apr. 14, 2020; publication date unknown but prior to filing date of present application; URL: <<https://www.build.com/moen-5923/>>.

“MOEN Align Single-Handle Pull-Down Sprayer Kitchen Faucet with Power Clean and Spring Spout in Chrome-5923”; MOEN; retrieved Apr. 14, 2020; publication date unknown but prior to filing date of present application; URL: <<https://www.homedepot.com/p/MOEN-Align-Single-Handle-Pull-Down-Sprayer-Kitchen-Faucet-with-Power-Clean-and-Spring-Spout-in-Chrome-5923/207141558>>.

“Commercial Style Pull-Down Kitchen Faucet in Spot Free Stainless Steel”; Oletto; retrieved Apr. 14, 2020; publication date unknown but prior to filing date of present application; URL: <https://www.kraususa.com/kraus-kpf-2631sfs-commercial-style-pull-down-kitchen-faucet-in-spot-free-stainless-steel.html>.

“VIGO Edison Single-Handle Pull-Down Sprayer Kitchen Faucet in Stainless Steel-VG02001ST”; VIGO; retrieved Apr. 14, 2020; publication date unknown but prior to filing date of present application; URL: <<https://www.homedepot.com/p/VIGO-Edison-Single-Handle-Pull-Down-Sprayer-Kitchen-Faucet-in-Stainless-Steel-VG02001ST/202721573>>.

\* cited by examiner

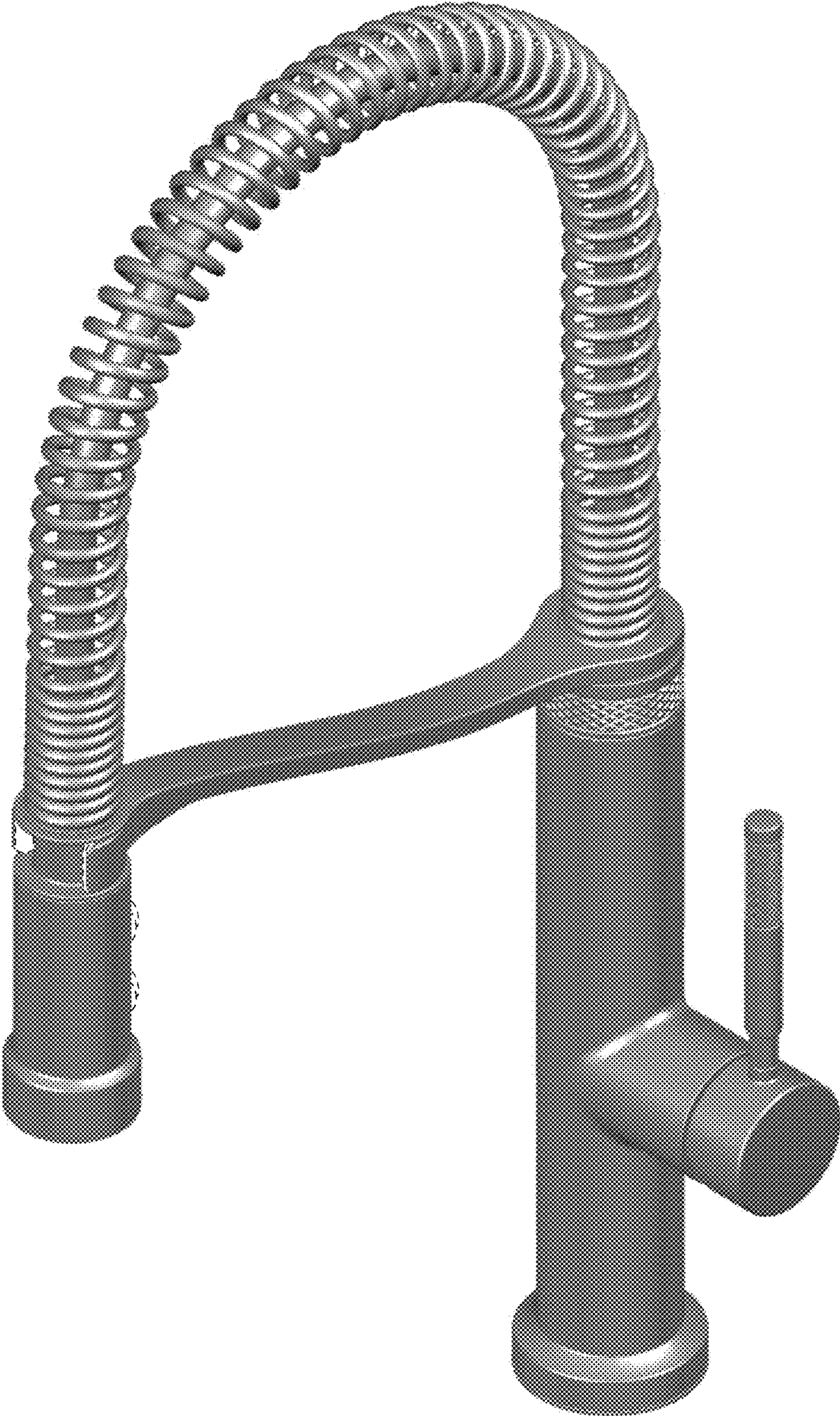


FIG. 1

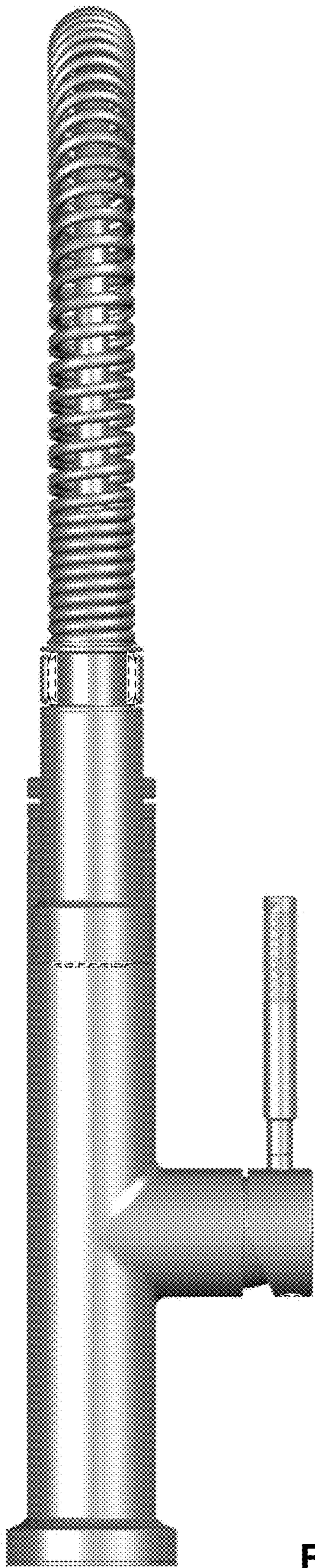


FIG. 2

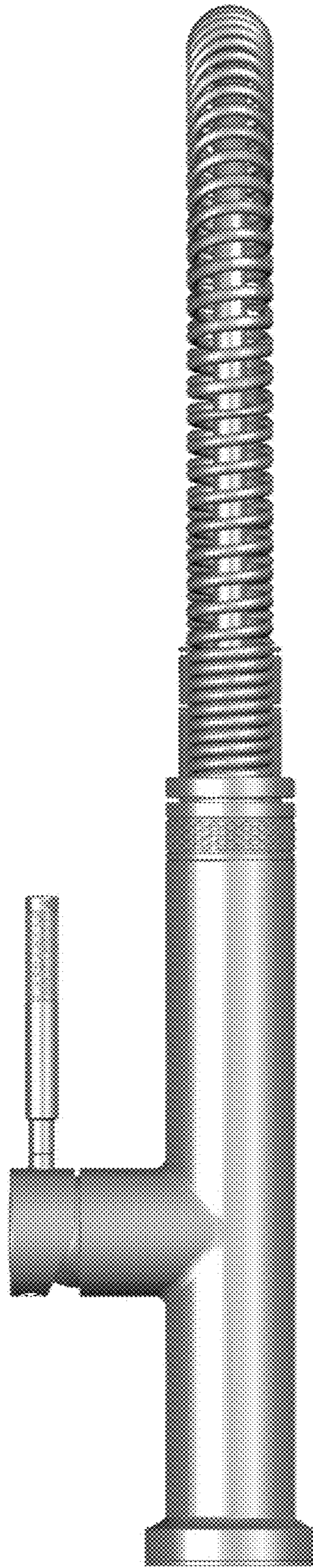


FIG. 3

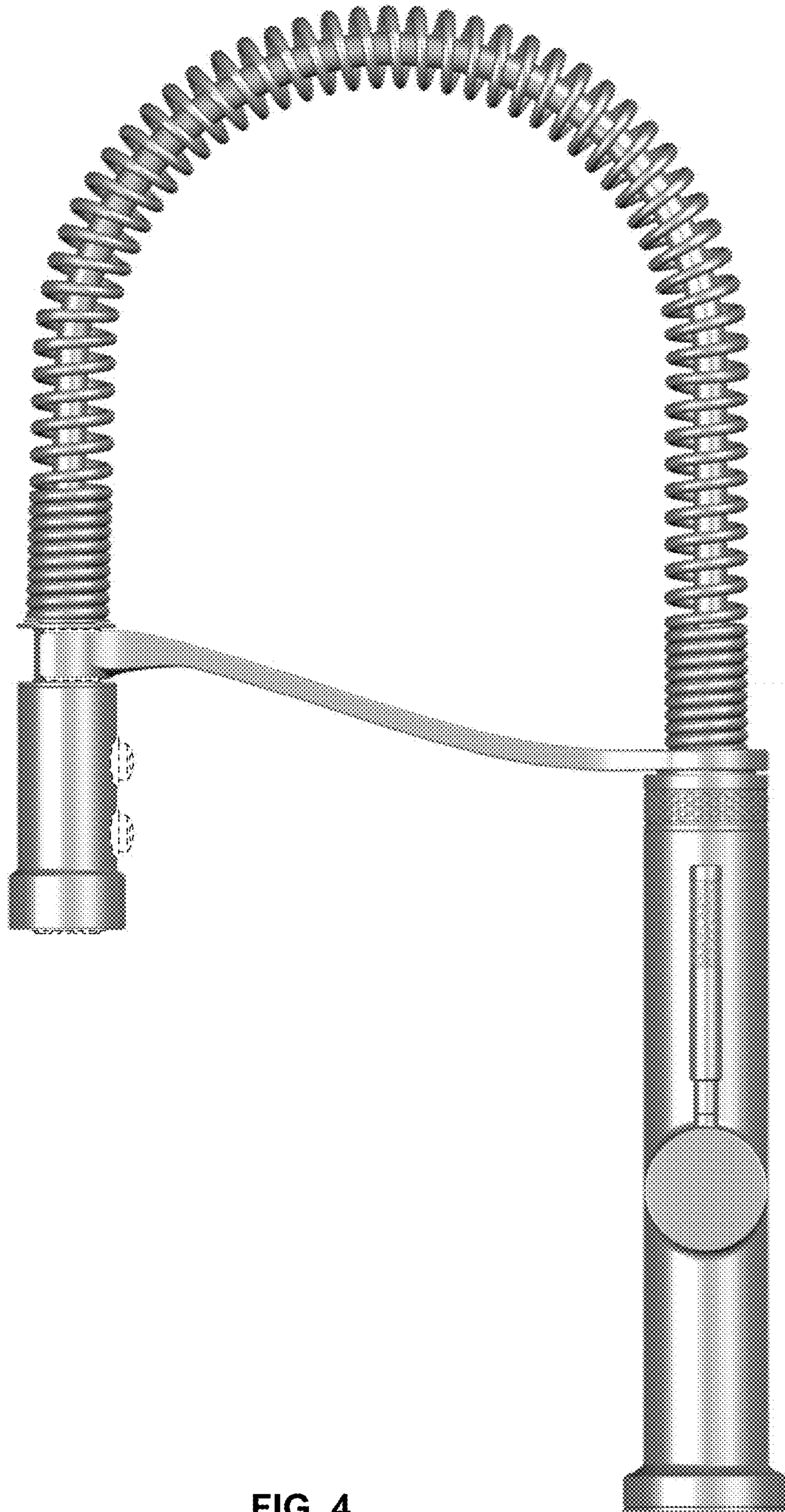


FIG. 4

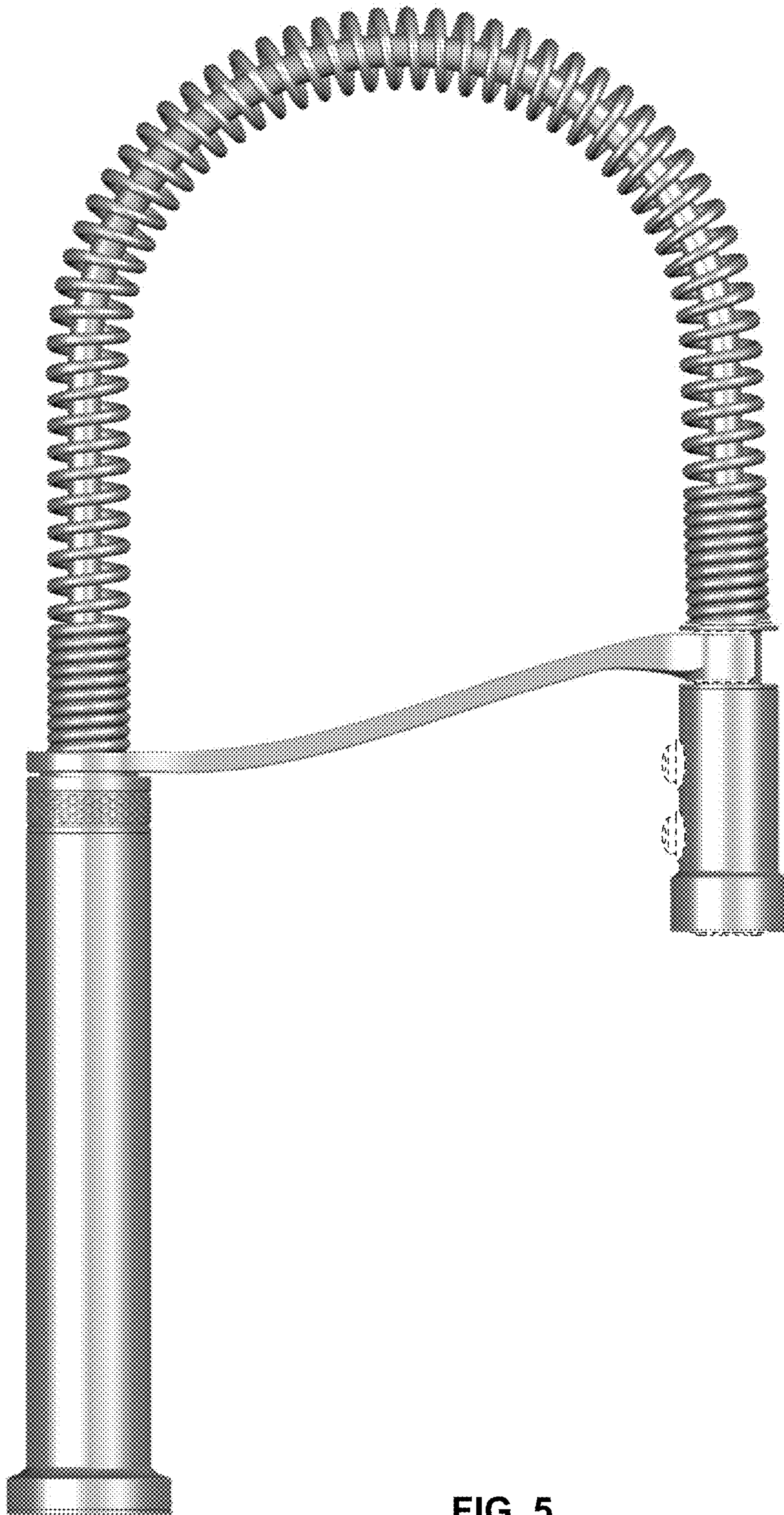


FIG. 5

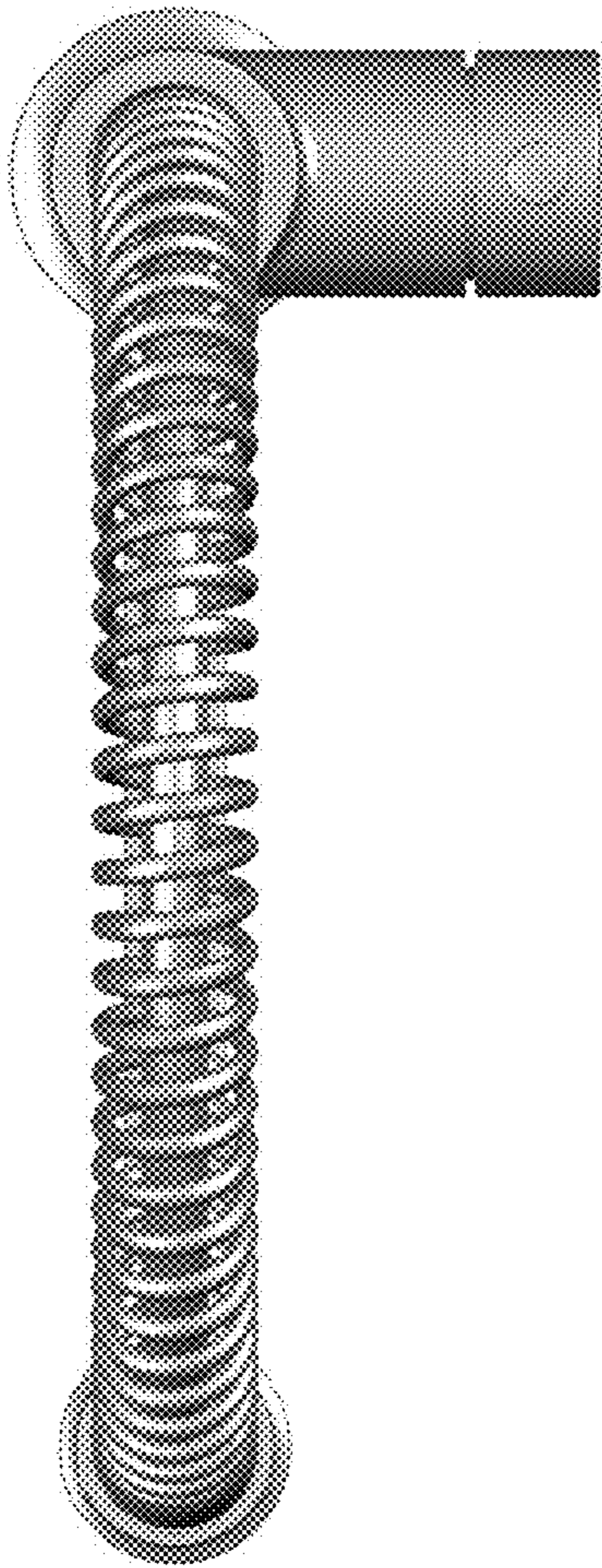


FIG. 6

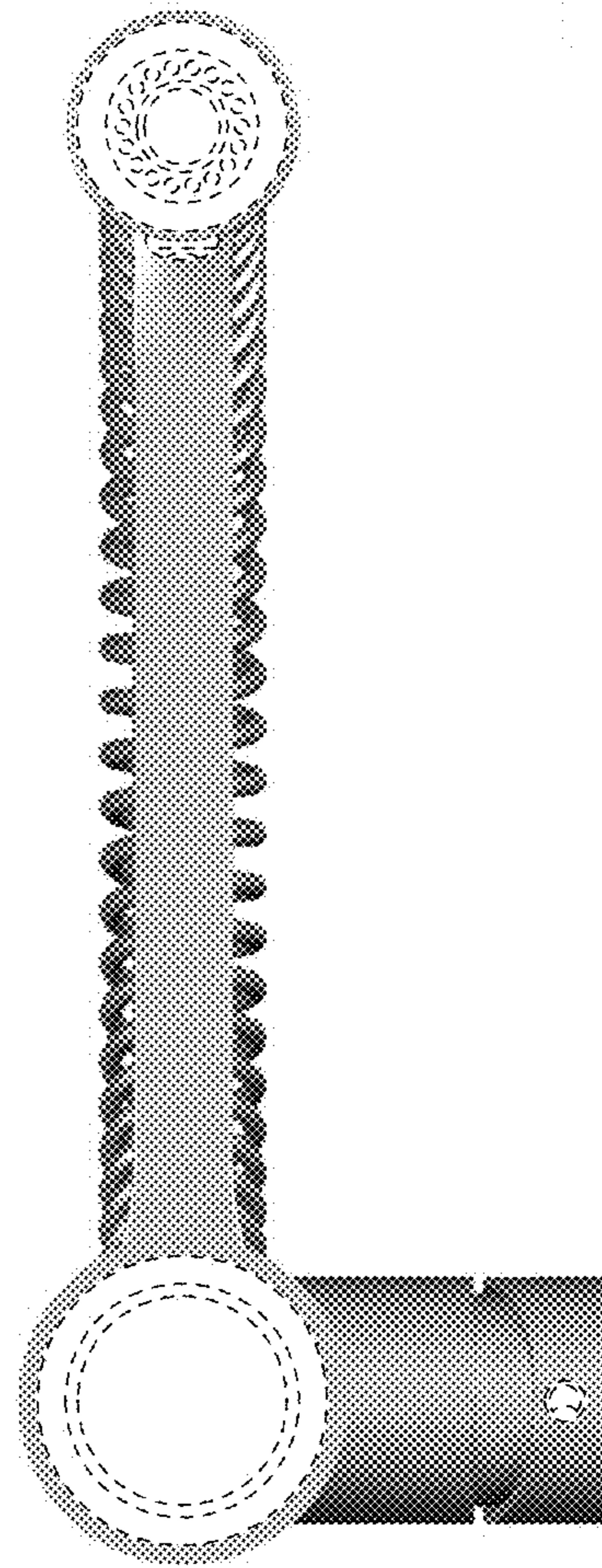


FIG. 7