



US00D954194S

(12) **United States Design Patent**  
**Fritz et al.**

(10) **Patent No.:** **US D954,194 S**

(45) **Date of Patent:** **\*\* Jun. 7, 2022**

(54) **FAUCET**

(71) Applicant: **DELTA FAUCET COMPANY,**  
Indianapolis, IN (US)

(72) Inventors: **Seth Fritz,** Carmel, IN (US); **Lauren Para,** Lisle, IL (US)

(73) Assignee: **DELTA FAUCET COMPANY,**  
Indianapolis, IN (US)

(\*\*) Term: **15 Years**

(21) Appl. No.: **29/738,437**

(22) Filed: **Jun. 17, 2020**

(51) **LOC (13) Cl.** ..... **23-01**

(52) **U.S. Cl.**  
USPC ..... **D23/238**

(58) **Field of Classification Search**  
USPC ..... D23/257, 249, 254, 259, 255, 233, 234,  
D23/235, 236, 237, 238, 240, 241, 242,  
D23/243, 244, 245, 246, 247, 248, 250,  
D23/251, 252, 253, 256  
CPC ..... E03C 1/01; E03C 1/0409; E03C 1/025;  
E03C 1/0408; E03C 1/04; E03C 1/0401;  
E03C 1/0402; E03C 1/0405; E03C  
1/0412; Y10T 137/5339; Y10T 137/6014;  
Y10T 137/6021

See application file for complete search history.

(56) **References Cited**

**U.S. PATENT DOCUMENTS**

D519,190 S	*	4/2006	Lord	.....	D23/238
D521,109 S	*	5/2006	Lord	.....	D23/238
D567,911 S	*	4/2008	Fritz	.....	D23/255
D620,558 S	*	7/2010	Krumpe	.....	D23/238
D709,166 S	*	7/2014	Yu	.....	D23/238
D709,167 S	*	7/2014	Flowers	.....	D23/238
D718,839 S	*	12/2014	Garland	.....	D23/252

D762,286 S	*	7/2016	Pony	.....	D23/238
D840,508 S	*	2/2019	Garland	.....	D23/238
D862,657 S	*	10/2019	Bahler	.....	D23/252
D868,211 S	*	11/2019	Garland	.....	D23/238
D871,547 S	*	12/2019	Eads	.....	D23/238

**FOREIGN PATENT DOCUMENTS**

CN 201830328810.9 \* 4/2019

**OTHER PUBLICATIONS**

Amazon, GEOATON Sensor touchless kitchen sink tap, posted Mar. 5, 2020, [online], [visited Sep. 23, 2021]. Internet, <URL: https://www.amazon.co.uk/GEOATON-touchless-Kitchen-Automatic-Pull-Down/dp/B085HGXXN8Q/ref?th=1> (Year: 2020).\*

\* cited by examiner

*Primary Examiner* — Samantha Wood

(74) *Attorney, Agent, or Firm* — Nirav D. Parikh; Edgar A. Zarins

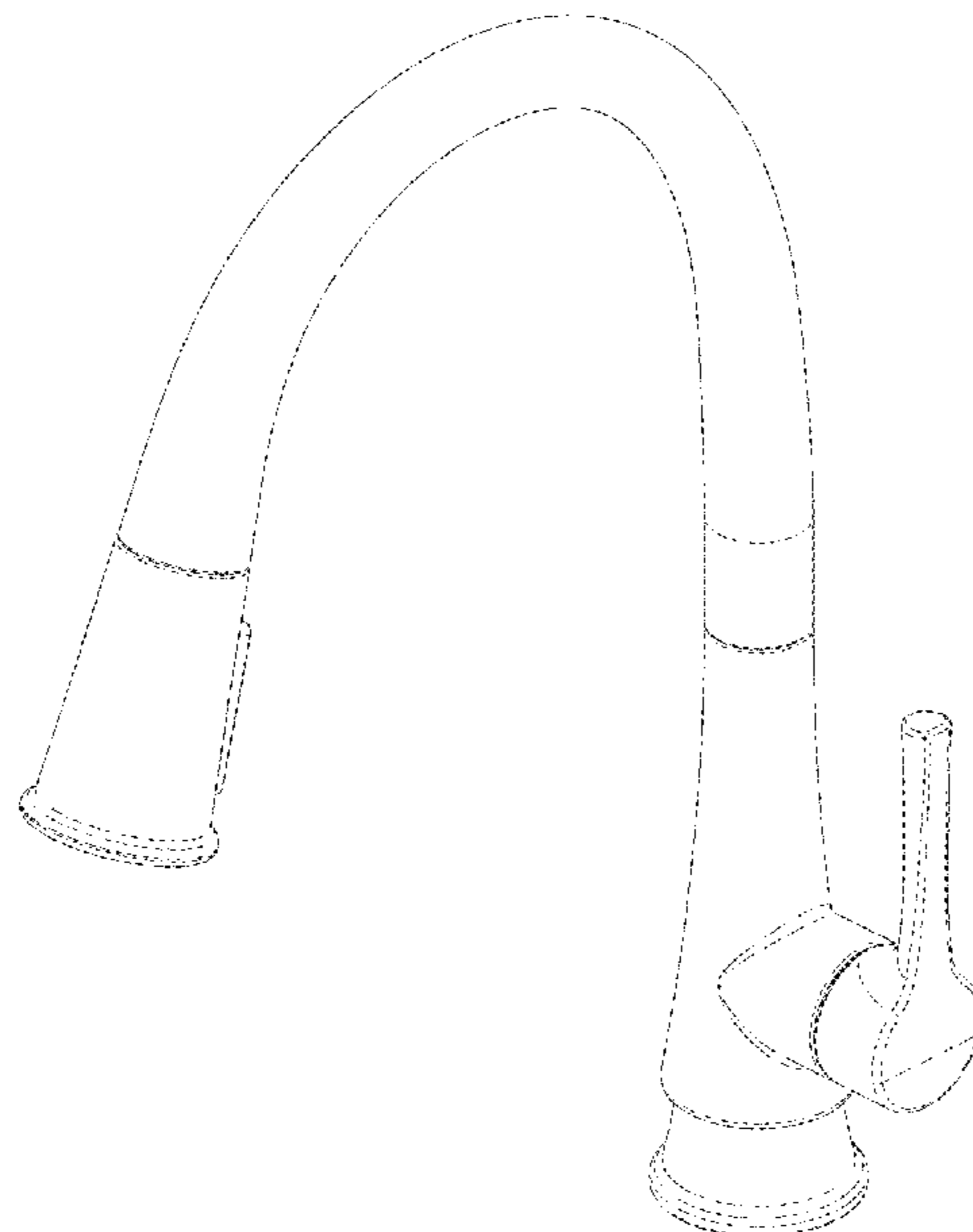
(57) **CLAIM**

The ornamental design for a faucet, as shown and described.

**DESCRIPTION**

FIG. 1 is a front perspective view of a faucet showing our new design;  
FIG. 2 is a rear perspective view thereof;  
FIG. 3 is a front elevational view thereof;  
FIG. 4 is a left side view thereof;  
FIG. 5 is a rear view thereof;  
FIG. 6 is a right side view thereof;  
FIG. 7 is a top plan view thereof; and,  
FIG. 8 is a bottom view thereof.

**1 Claim, 4 Drawing Sheets**



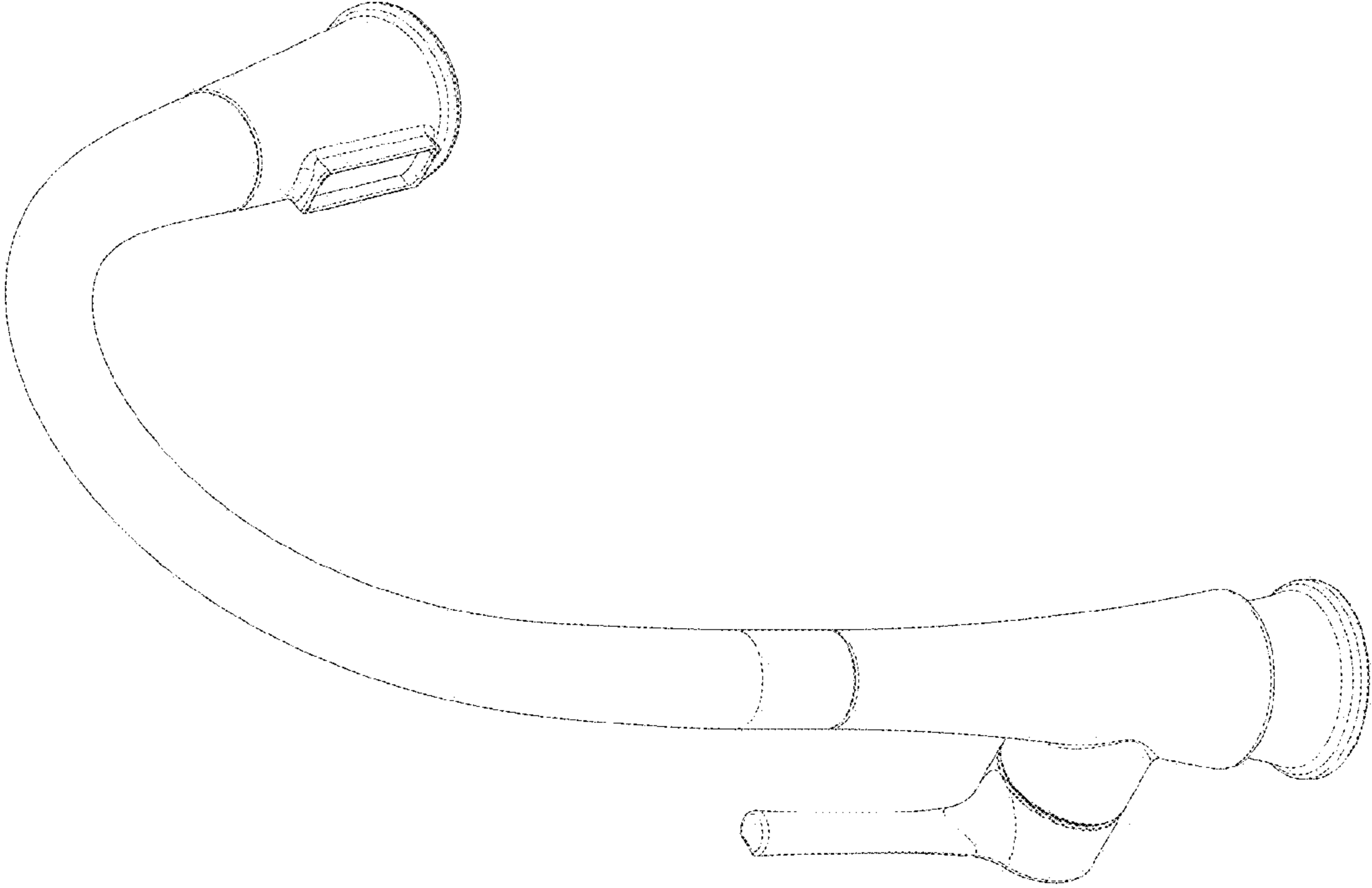


FIG - 2

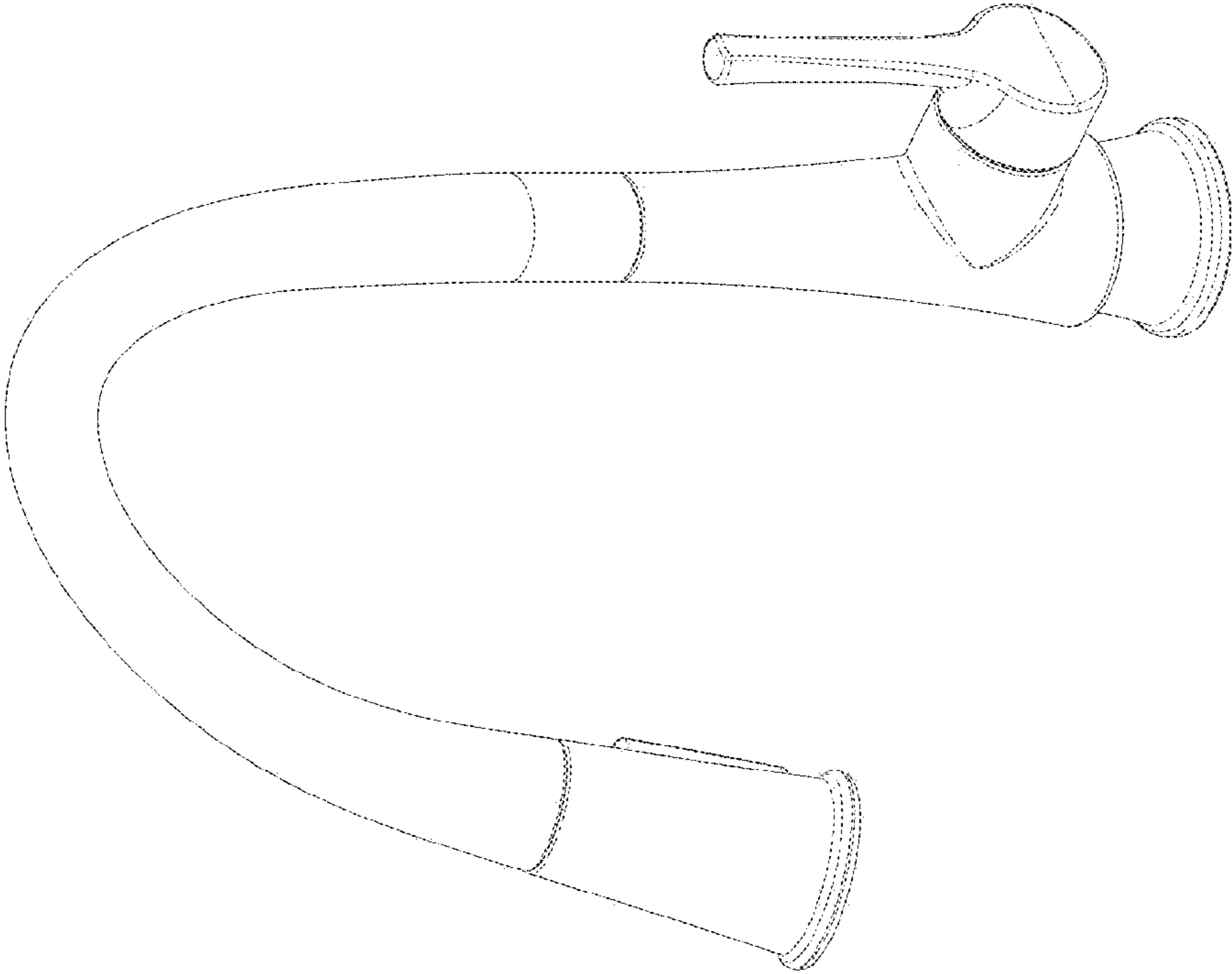


FIG - 1

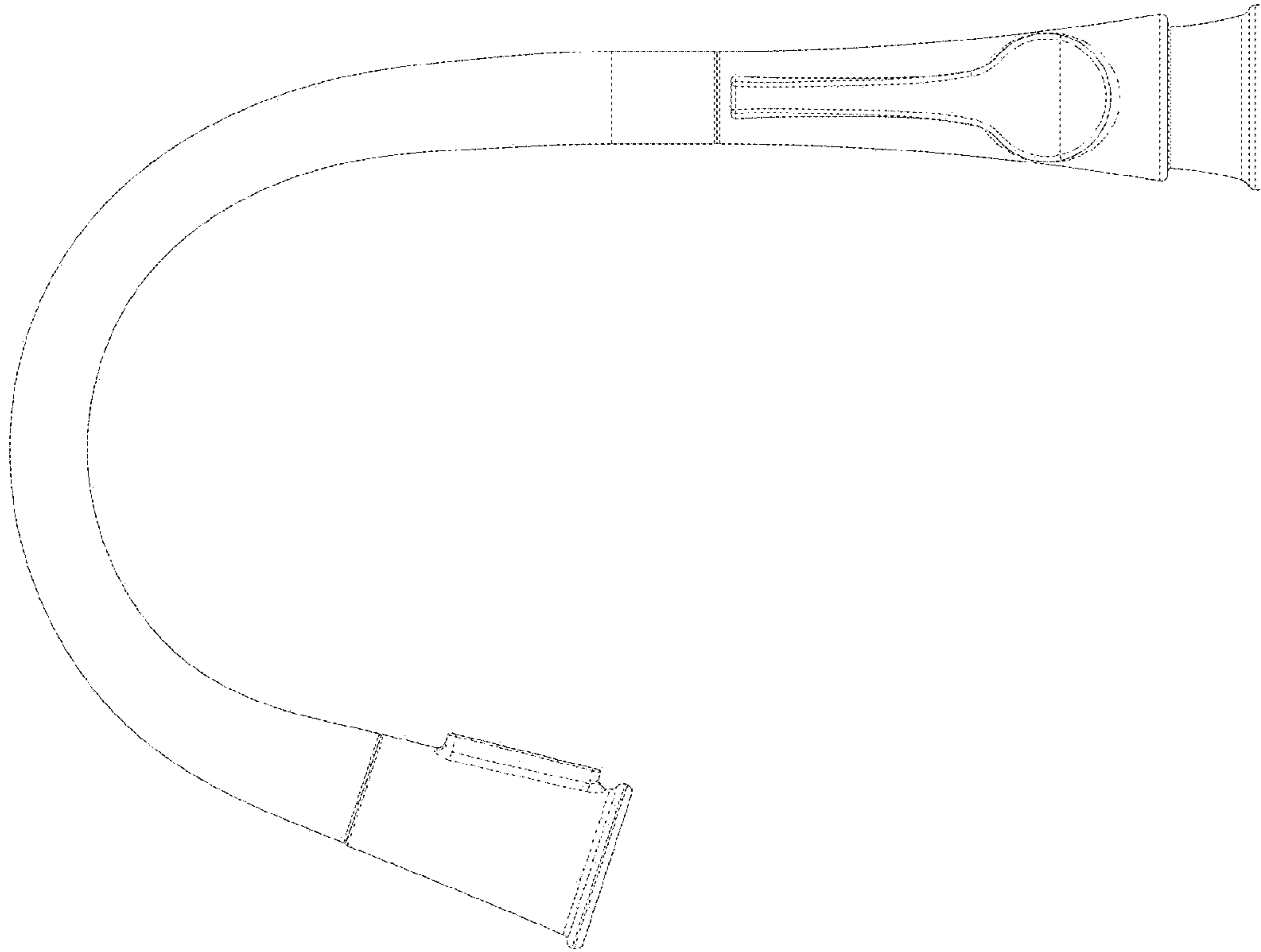


FIG - 4

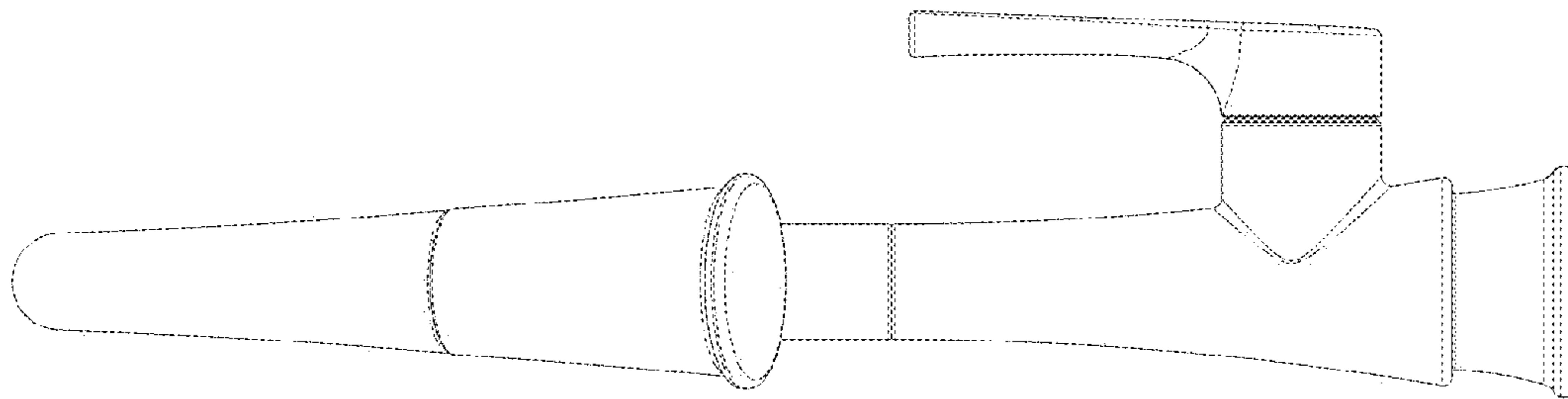


FIG - 3

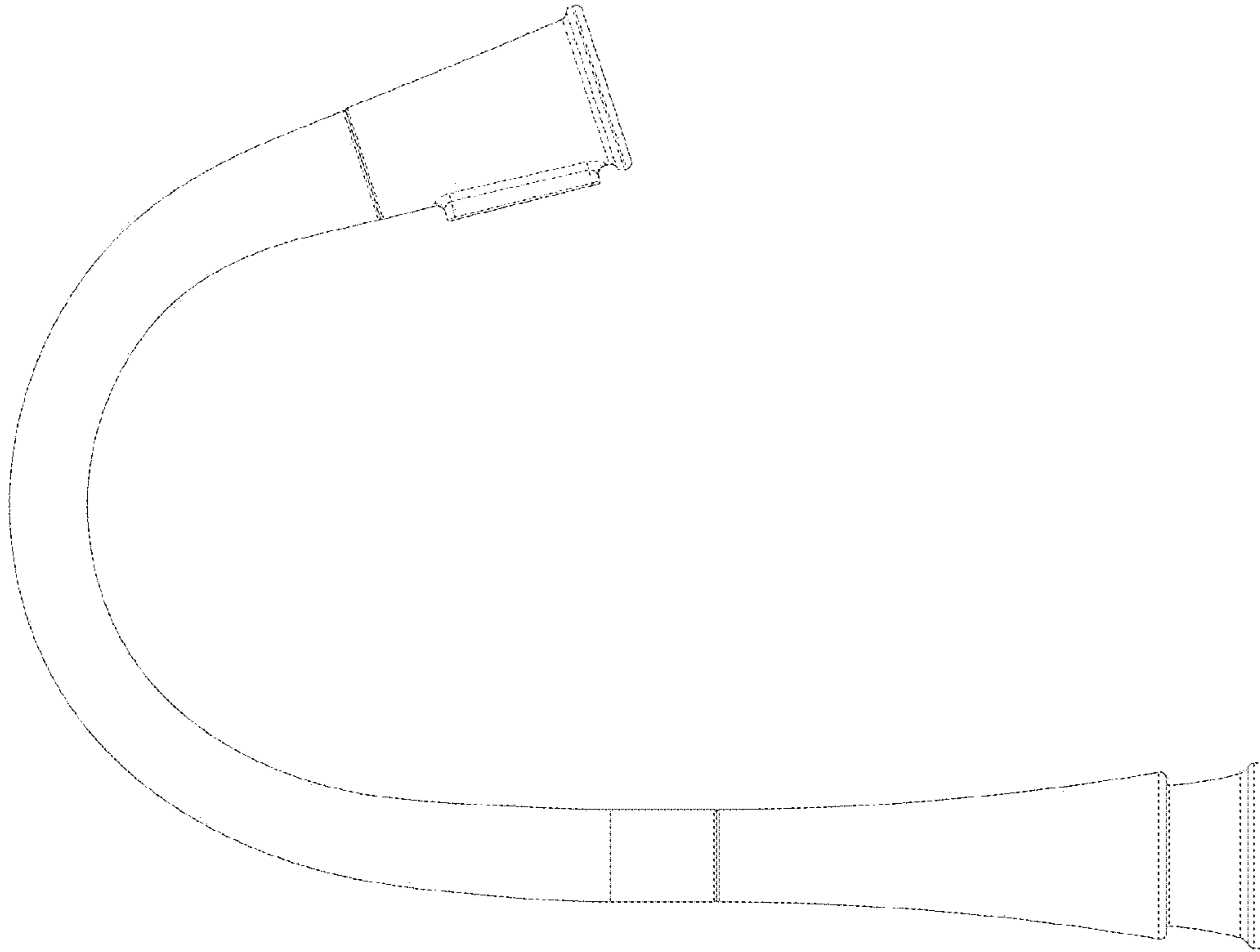


FIG - 6

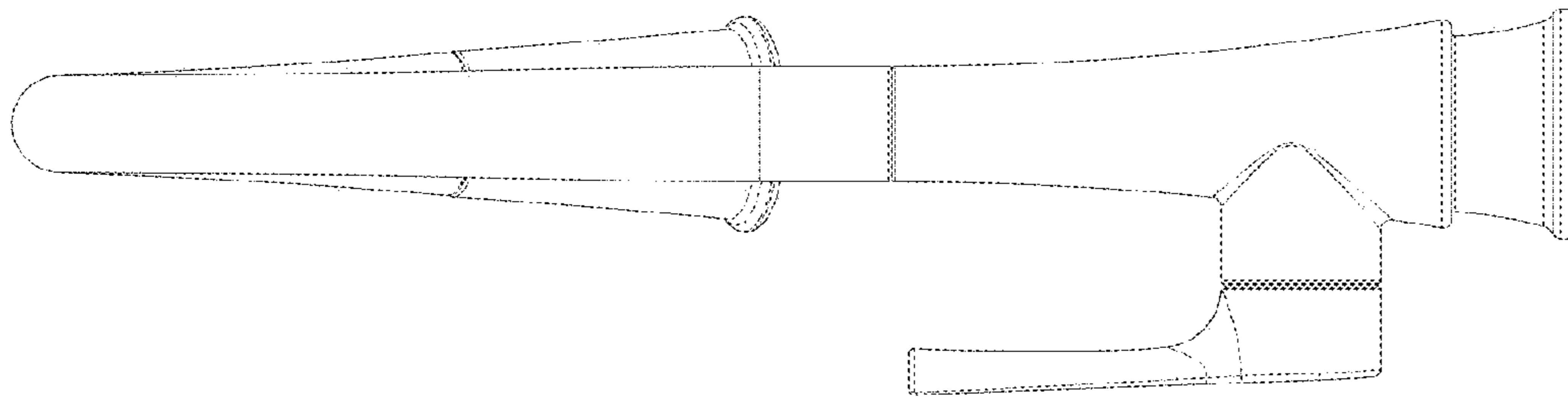


FIG - 5

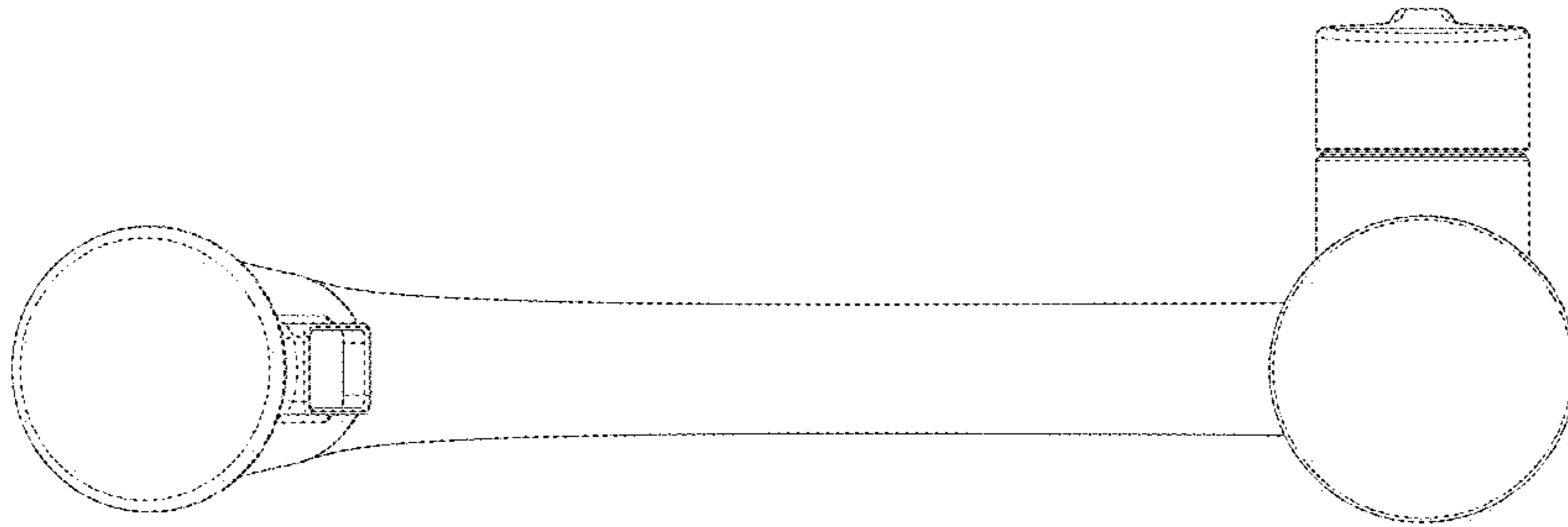


FIG - 8

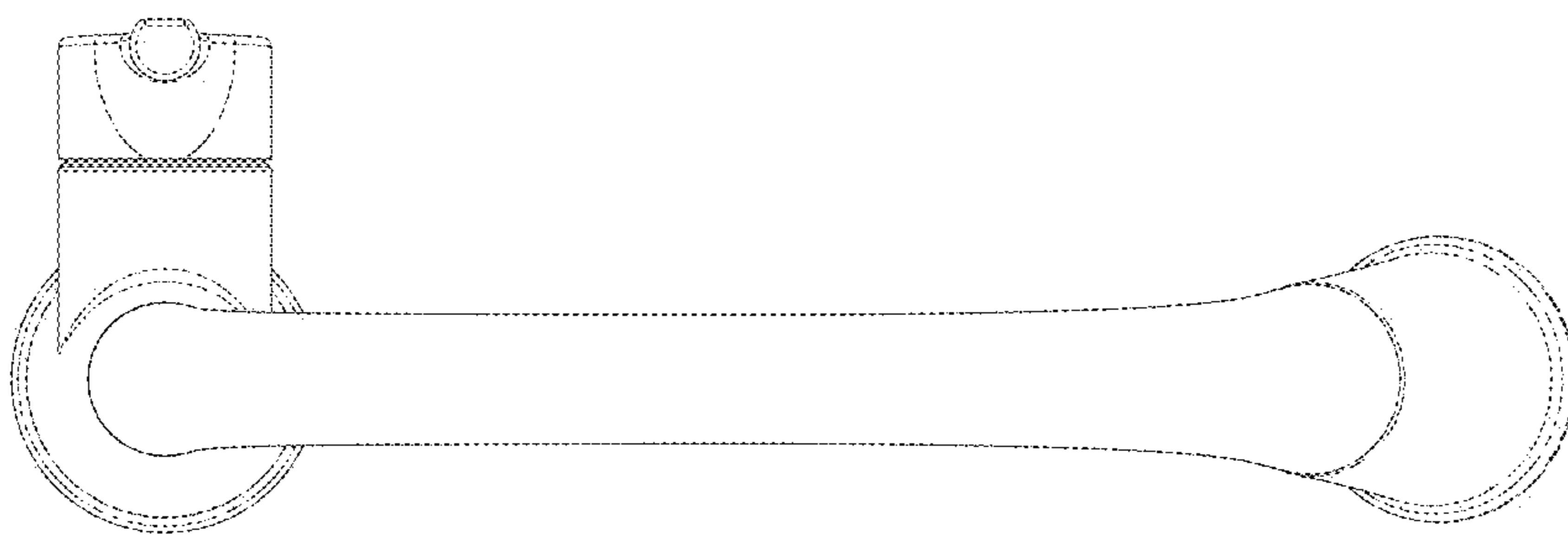


FIG - 7