



US00D954192S

(12) **United States Design Patent** (10) **Patent No.:** **US D954,192 S**
Park (45) **Date of Patent:** **** Jun. 7, 2022**

(54) **FAUCET**
(71) Applicant: **DELTA FAUCET COMPANY,**
Indianapolis, IN (US)
(72) Inventor: **Maris Park,** McCordsville, IN (US)
(73) Assignee: **DELTA FAUCET COMPANY,**
Indianapolis, IN (US)

D773,619 S * 12/2016 Potter D23/255
D779,639 S * 2/2017 Hong D23/255
D798,421 S * 9/2017 Eads D23/257
D811,540 S * 2/2018 Schoenherr D23/250
D813,989 S * 3/2018 Schoenherr D23/238
D817,462 S * 5/2018 L'Henaff D23/255
D831,164 S * 10/2018 Garuti D23/255
D837,941 S * 1/2019 L'Henaff D23/239
D846,699 S * 4/2019 L'Henaff D23/238

(**) Term: **15 Years**
(21) Appl. No.: **29/738,079**

FOREIGN PATENT DOCUMENTS

CN 201730246104 * 6/2017
CN 201930078631.9 * 2/2019

(22) Filed: **Jun. 15, 2020**
(51) **LOC (13) Cl.** **23-01**
(52) **U.S. Cl.**
USPC **D23/238**
(58) **Field of Classification Search**
USPC D23/257, 249, 254, 259, 255, 233, 234,
D23/235, 236, 237, 238, 240, 241, 242,
D23/243, 244, 245, 246, 247, 248, 250,
D23/251, 252, 253, 256
CPC E03C 1/01; E03C 1/0409; E03C 1/025;
E03C 1/0408; E03C 1/04; E03C 1/0401;
E03C 1/0402; E03C 1/0405; E03C
1/0412; Y10T 137/5339; Y10T 137/6014;
Y10T 137/6021
See application file for complete search history.

OTHER PUBLICATIONS

Amazon, Bristan DSC WMBF Bath filler, posted Feb. 14, 2018,
[online], [visited Sep. 20, 2021]. Internet, <URL: <https://www.amazon.co.uk/Bristan-DSC-WMBF-Descent-Mounted/dp/B079T2QJBD/ref>> (Year: 2018).*

* cited by examiner

Primary Examiner — Samantha Wood
(74) *Attorney, Agent, or Firm* — Nirav D. Parikh; Edgar
A. Zarins

(56) **References Cited**

U.S. PATENT DOCUMENTS

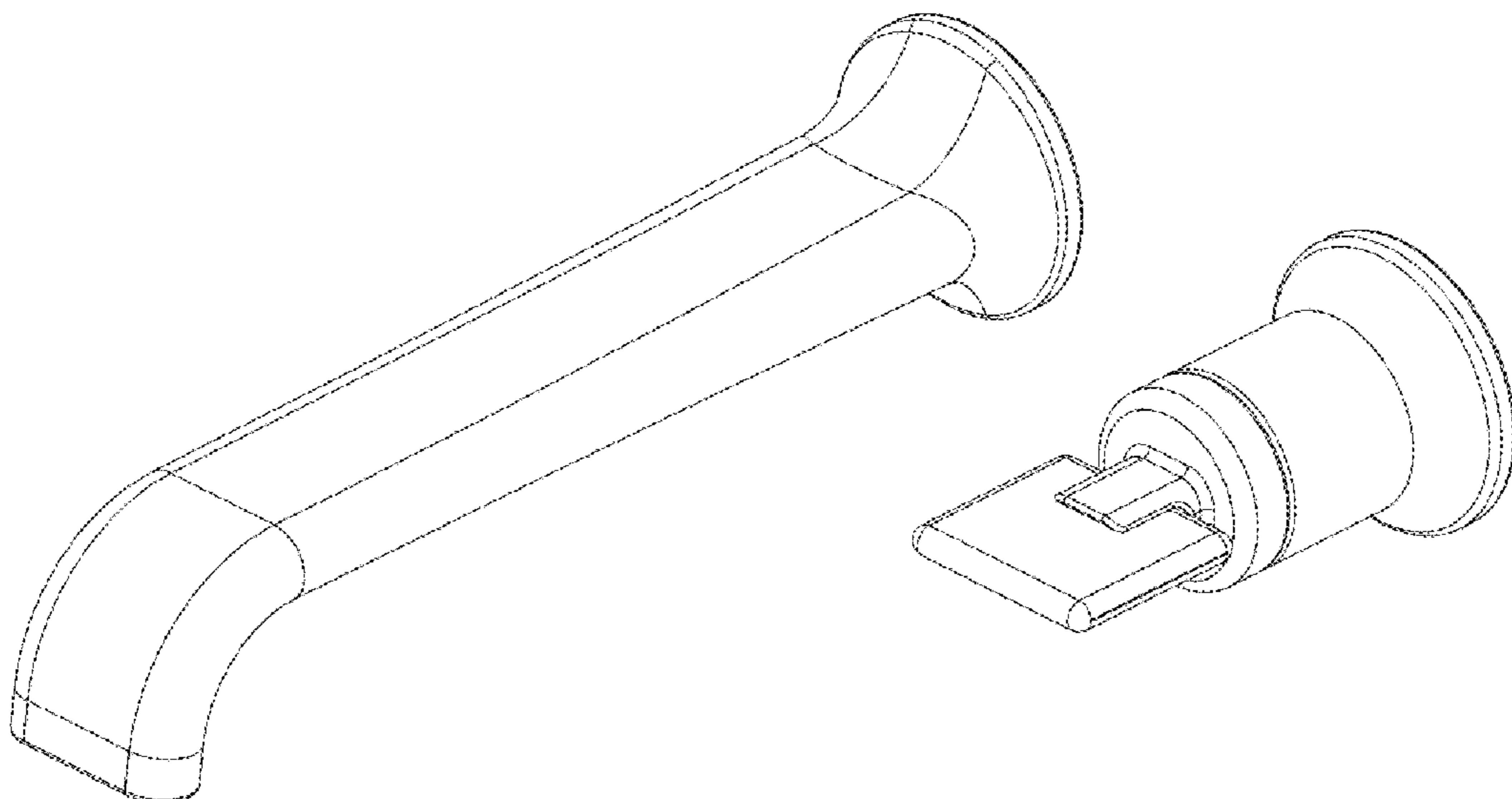
D529,995 S * 10/2006 Smith D23/238
D582,519 S * 12/2008 Lobermeier D23/242
D582,525 S * 12/2008 Downey D23/255
D643,515 S * 8/2011 Hanna D23/255
D657,441 S * 4/2012 Flowers D23/255
D712,520 S * 9/2014 Citterio D23/255
D713,016 S * 9/2014 Citterio D23/255
D720,436 S * 12/2014 Hundley D23/255
D734,837 S * 7/2015 Sieger D23/242
D759,202 S * 6/2016 Moerman D23/238

(57) **CLAIM**
The ornamental design for a faucet, as shown and described.

DESCRIPTION

FIG. 1 is a front perspective view of a faucet showing my new design;
FIG. 2 is a rear perspective view thereof;
FIG. 3 is a front elevational view thereof;
FIG. 4 is a left side view thereof;
FIG. 5 is a rear view thereof;
FIG. 6 is a right side view thereof;
FIG. 7 is a top plan view thereof; and,
FIG. 8 is a bottom view thereof.

1 Claim, 4 Drawing Sheets



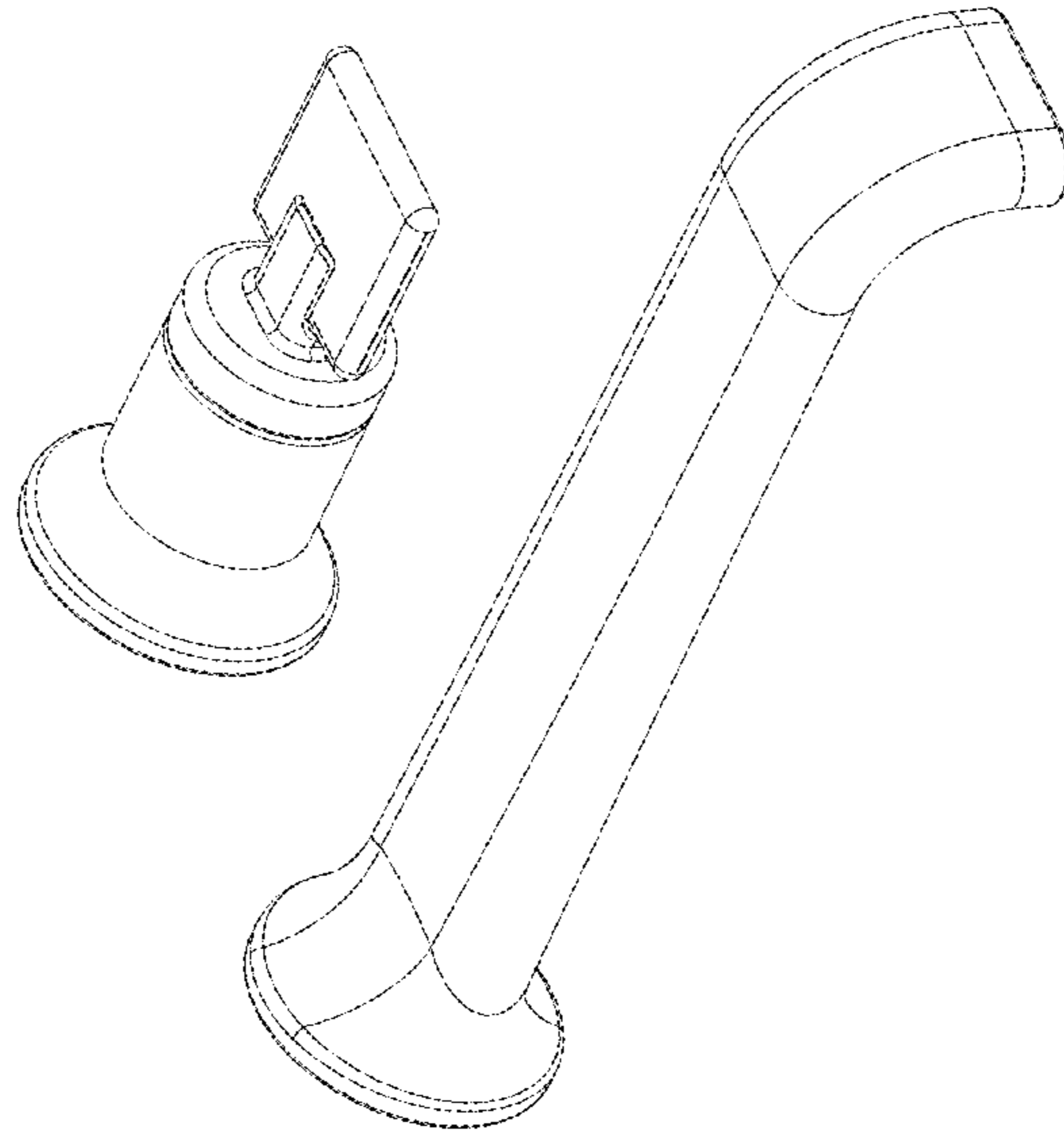


FIG-2

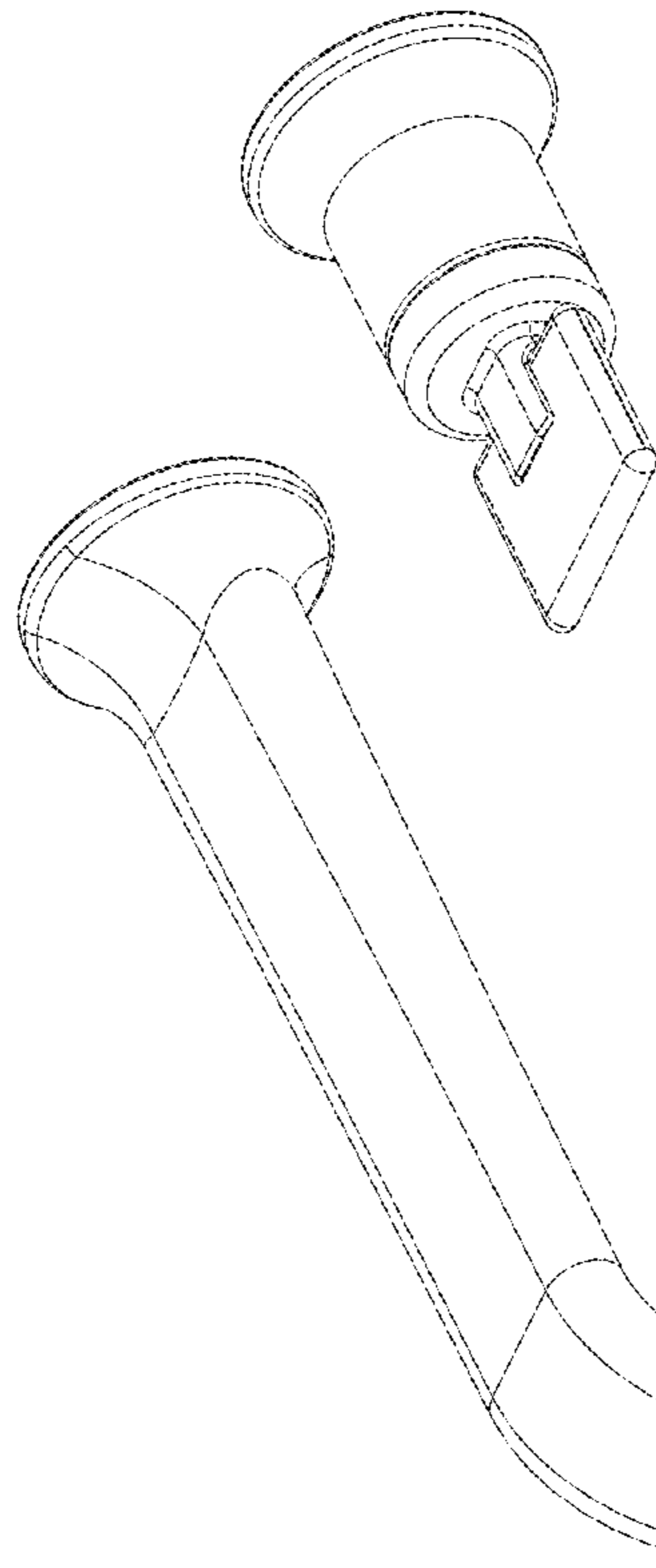


FIG-1

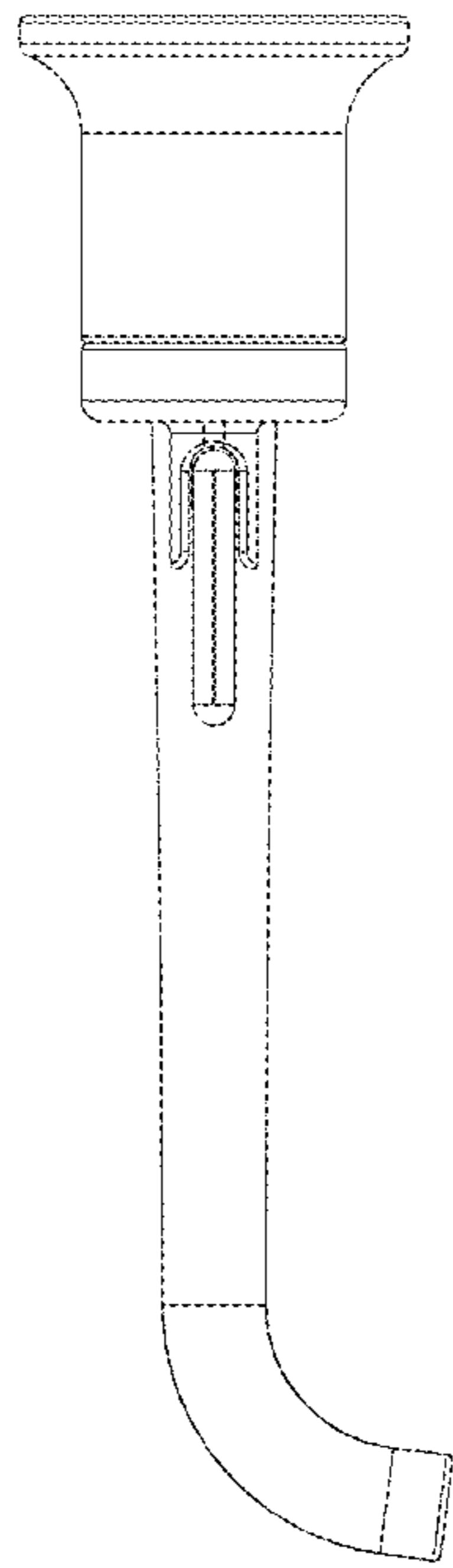


FIG-4

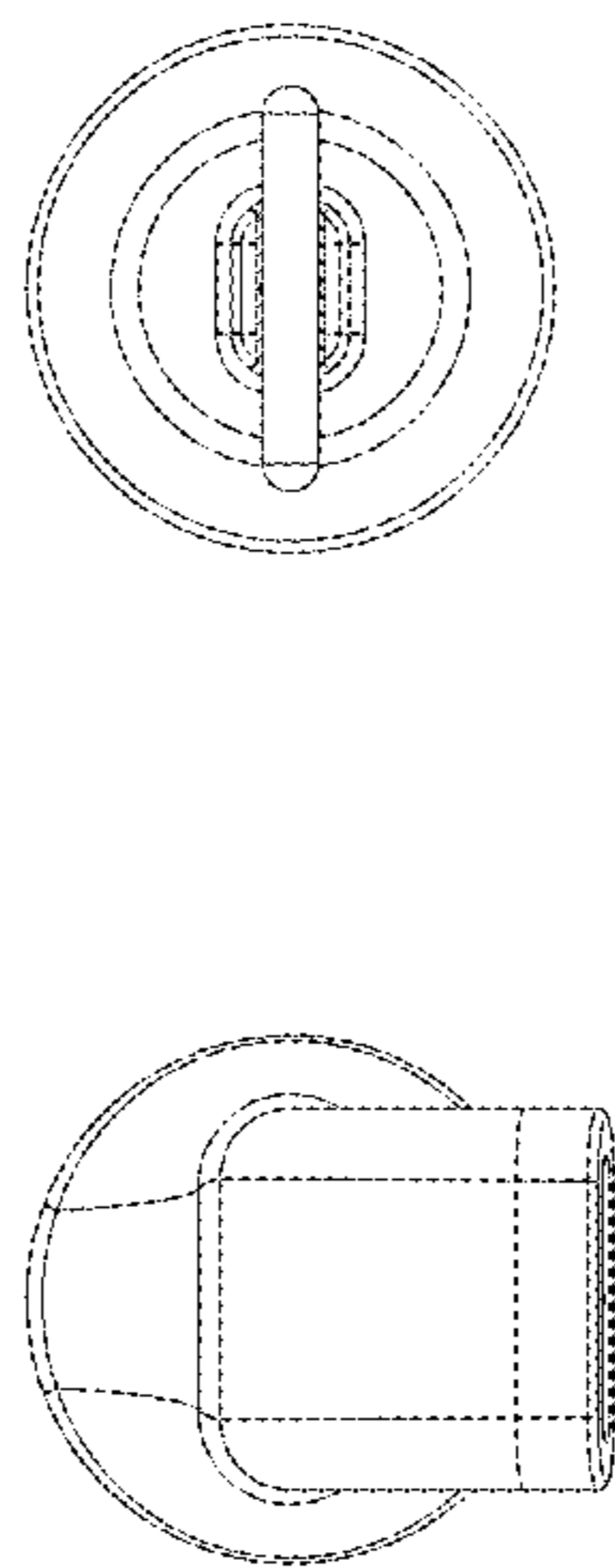


FIG-3

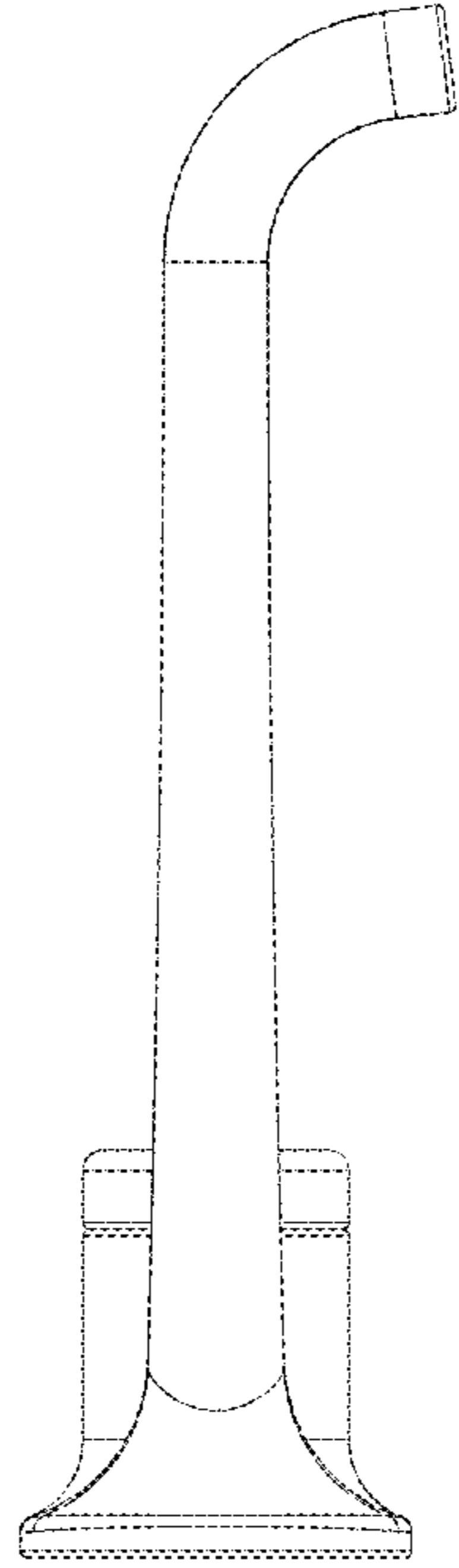


FIG-6

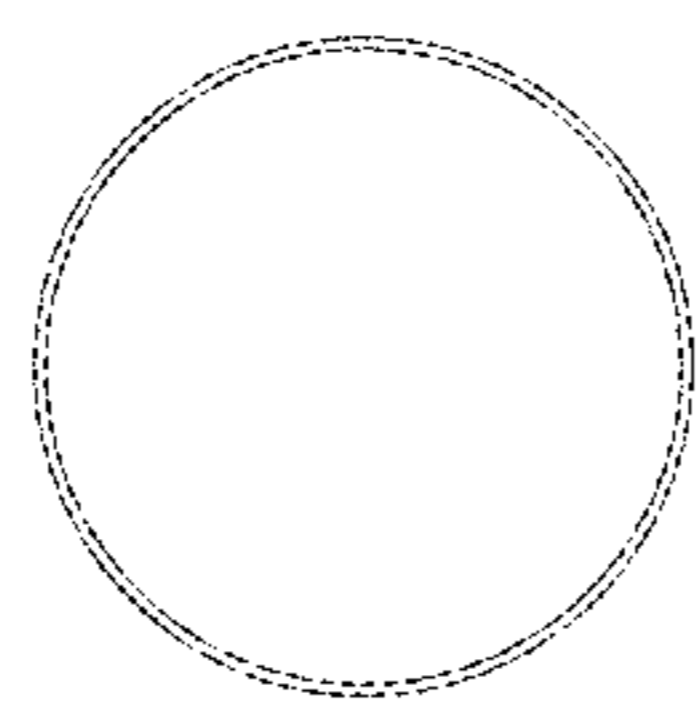
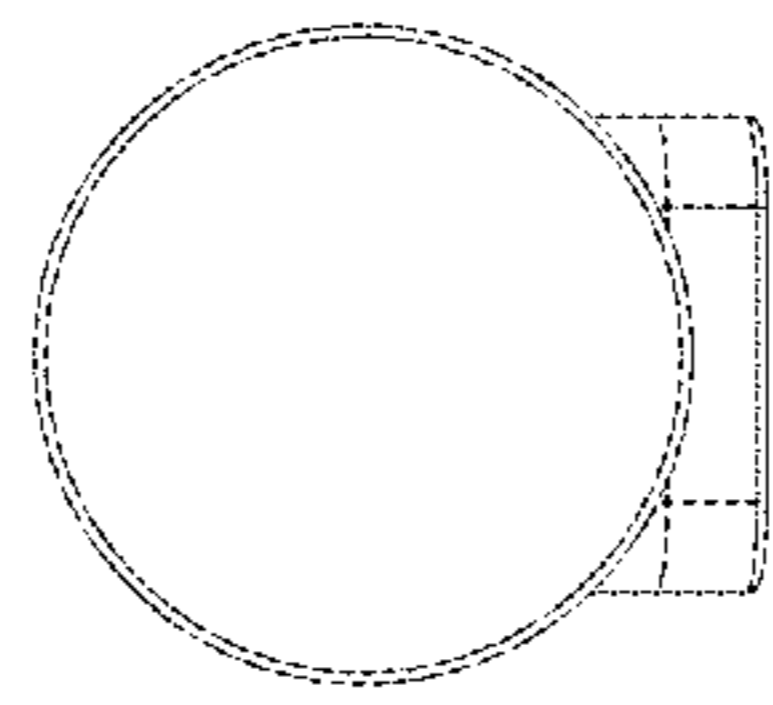


FIG-5

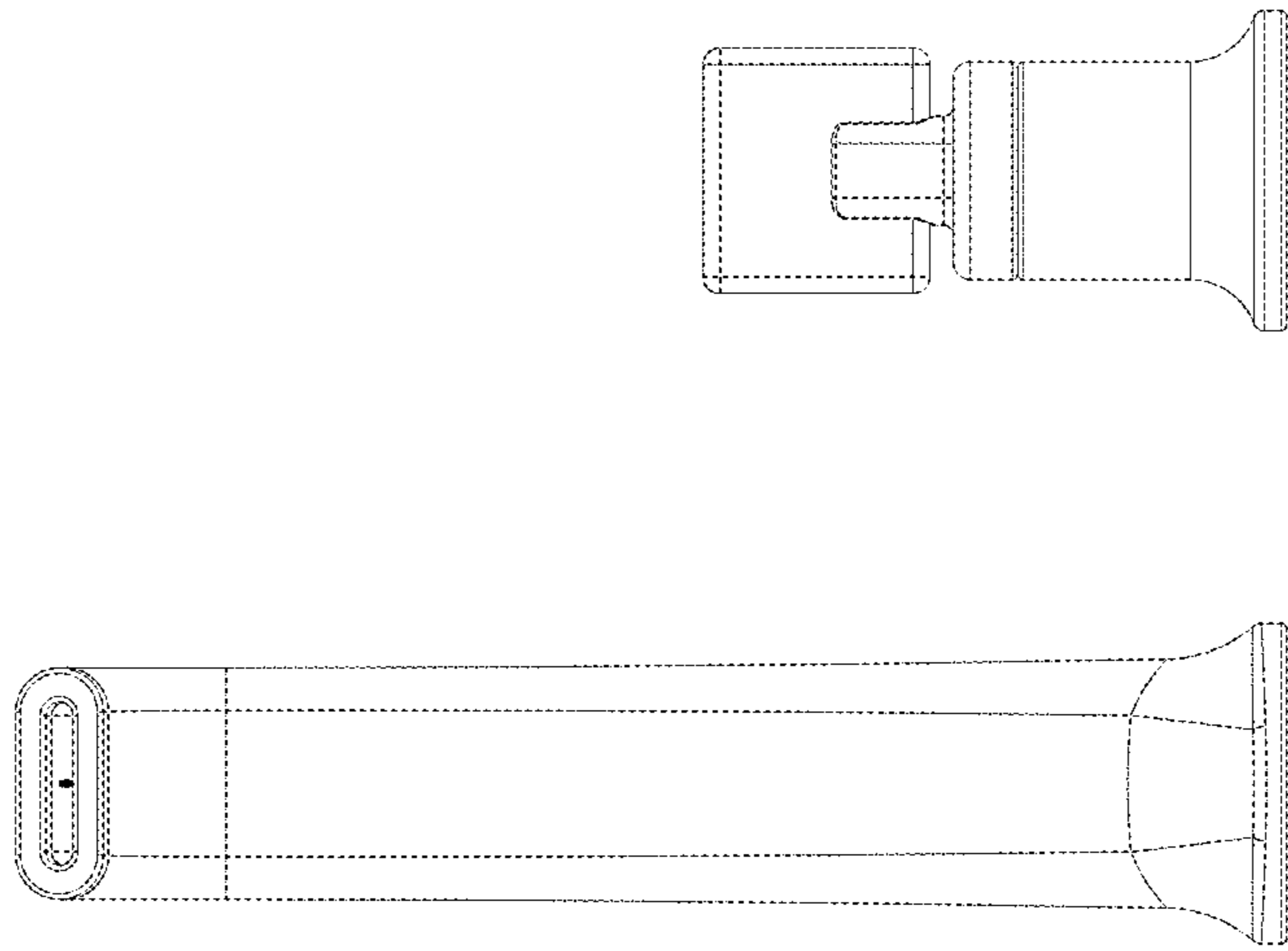


FIG-8

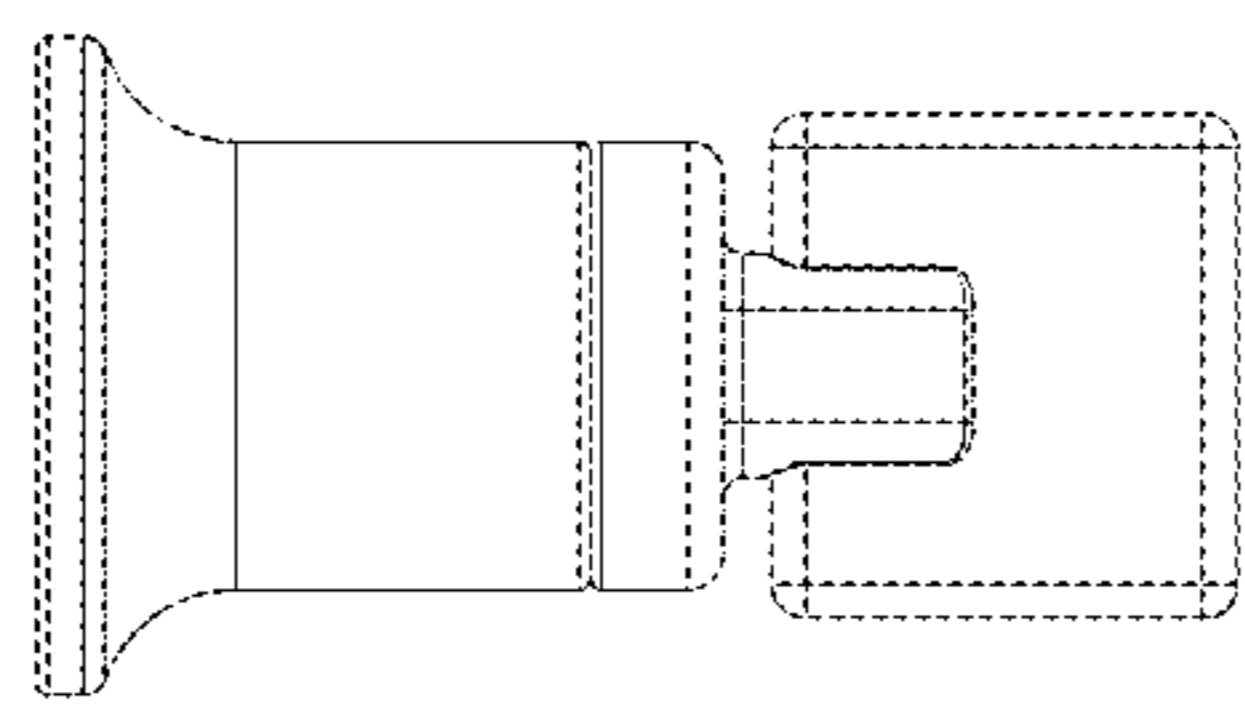


FIG-7