



US00D954191S

(12) **United States Design Patent** (10) **Patent No.:** **US D954,191 S**  
**Park** (45) **Date of Patent:** **\*\* Jun. 7, 2022**

(54) **FAUCET**  
(71) Applicant: **DELTA FAUCET COMPANY,**  
Indianapolis, IN (US)  
(72) Inventor: **Maris Park,** McCordsville, IN (US)  
(73) Assignee: **DELTA FAUCET COMPANY,**  
Indianapolis, IN (US)

D639,394 S \* 6/2011 Citterio ..... D23/238  
D685,878 S \* 7/2013 Fritz ..... D23/238  
D734,433 S \* 7/2015 Sieger ..... D23/238  
D740,396 S \* 10/2015 Bahler ..... D23/252  
D741,453 S \* 10/2015 Bahler ..... D23/238  
D754,825 S \* 4/2016 Lord ..... D23/255  
D755,933 S \* 5/2016 Lord ..... D23/255  
D800,262 S \* 10/2017 Andrew ..... D23/238  
D802,722 S \* 11/2017 Flowers ..... D23/252

(Continued)

(\*\*) Term: **15 Years**

**FOREIGN PATENT DOCUMENTS**

(21) Appl. No.: **29/737,850**

CN 201830280798.9 \* 6/2018

(22) Filed: **Jun. 12, 2020**

**OTHER PUBLICATIONS**

(51) **LOC (13) Cl.** ..... **23-01**

(52) **U.S. Cl.**

USPC ..... **D23/238**

(58) **Field of Classification Search**

USPC ..... D23/257, 249, 254, 259, 255, 233, 234,  
D23/235, 236, 237, 238, 240, 241, 242,  
D23/243, 244, 245, 246, 247, 248, 250,  
D23/251, 252, 253, 256

CPC ..... E03C 1/01; E03C 1/0409; E03C 1/025;  
E03C 1/0408; E03C 1/04; E03C 1/0401;  
E03C 1/0402; E03C 1/0405; E03C  
1/0412; Y10T 137/5339; Y10T 137/6014;  
Y10T 137/6021

See application file for complete search history.

Amazon, Grohe Minta—Kitchen faucet, posted Dec. 18, 2018,  
[online], [visited Aug. 28, 2021]. Internet, <URL: <https://www.amazon.co.uk/Grohe-Minta-Single-Lever-Supersteel-32321-DC2/dp/B07J4VBMXR/ref>> (Year: 2018).\*

(Continued)

*Primary Examiner* — Samantha Wood

(74) *Attorney, Agent, or Firm* — Nirav D. Parikh; Edgar  
A. Zarins

(57) **CLAIM**

The ornamental design for a faucet, as shown and described.

**DESCRIPTION**

FIG. 1 is a front perspective view of a faucet showing my  
new design;

FIG. 2 is a rear perspective view thereof;

FIG. 3 is a front elevational view thereof;

FIG. 4 is a left side view thereof;

FIG. 5 is a rear view thereof;

FIG. 6 is a right side view thereof;

FIG. 7 is a top plan view thereof; and,

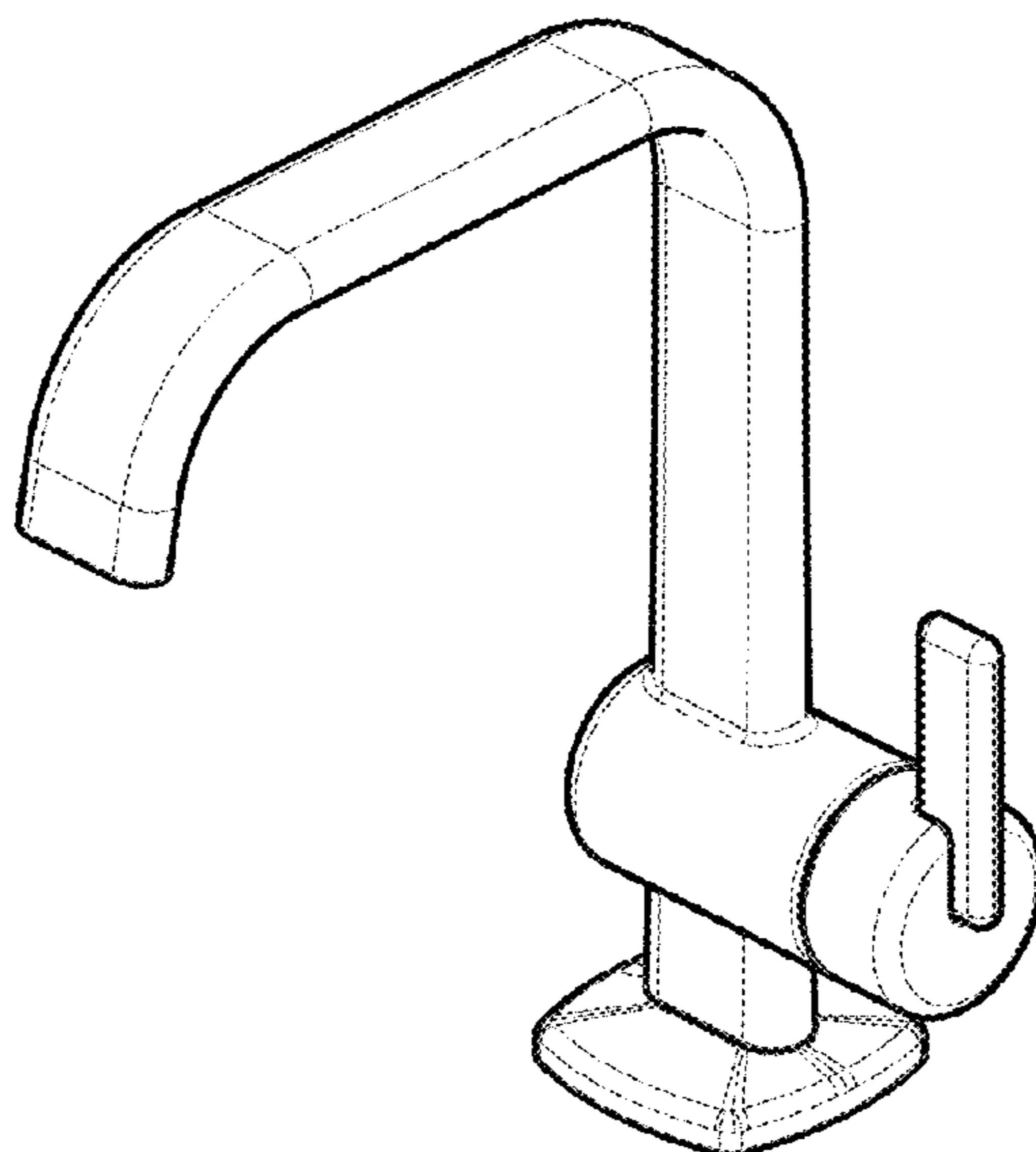
FIG. 8 is a bottom view thereof.

**1 Claim, 4 Drawing Sheets**

(56) **References Cited**

**U.S. PATENT DOCUMENTS**

D281,095 S \* 10/1985 Arnold ..... D23/238  
D297,758 S \* 9/1988 Paul ..... D23/252  
D320,645 S \* 10/1991 Knapp ..... D23/238  
D469,157 S \* 1/2003 Lobermeier ..... D23/238  
D536,065 S \* 1/2007 Wang ..... D23/238  
D546,922 S \* 7/2007 Demmer ..... D23/238  
D569,948 S \* 5/2008 Noth ..... D23/235  
D582,525 S \* 12/2008 Downey ..... D23/255  
D589,120 S \* 3/2009 Tsai ..... D23/238  
D635,648 S \* 4/2011 Schoenherr ..... D23/255



(56)

**References Cited**

U.S. PATENT DOCUMENTS

D810,874 S *	2/2018	Bahler .....	D23/238
D811,527 S *	2/2018	Fritz .....	D23/238
D820,399 S *	6/2018	Garland .....	D23/238
D822,170 S *	7/2018	Haug .....	D23/238
D853,527 S *	7/2019	Eads .....	D23/238
D865,122 S *	10/2019	Eads .....	D23/238
2015/0113767 A1 *	4/2015	Yuan .....	E03C 1/04 16/400

OTHER PUBLICATIONS

Amazon, Grohe 32455001 Sink Mixer Tap Chrome, posted Dec. 13, 2018, [online], [visited Aug. 28, 2021]. Internet, <URL: <https://www.amazon.co.uk/GROHE-32455001-Sink-Mixer-Chrome/dp/B07K96NH6Q/ref>> (Year: 2018).\*

Amazon, Litleduckling Kitchen Sink Mixer Tap, posted Jan. 12, 2017, [online], [visited Aug. 28, 2021]. Internet, <URL: <https://www.amazon.co.uk/Kitchen-Single-Swivel-Waterfall-Monobloc/dp/B01MZ9682Y/ref>> (Year: 2017).\*

\* cited by examiner

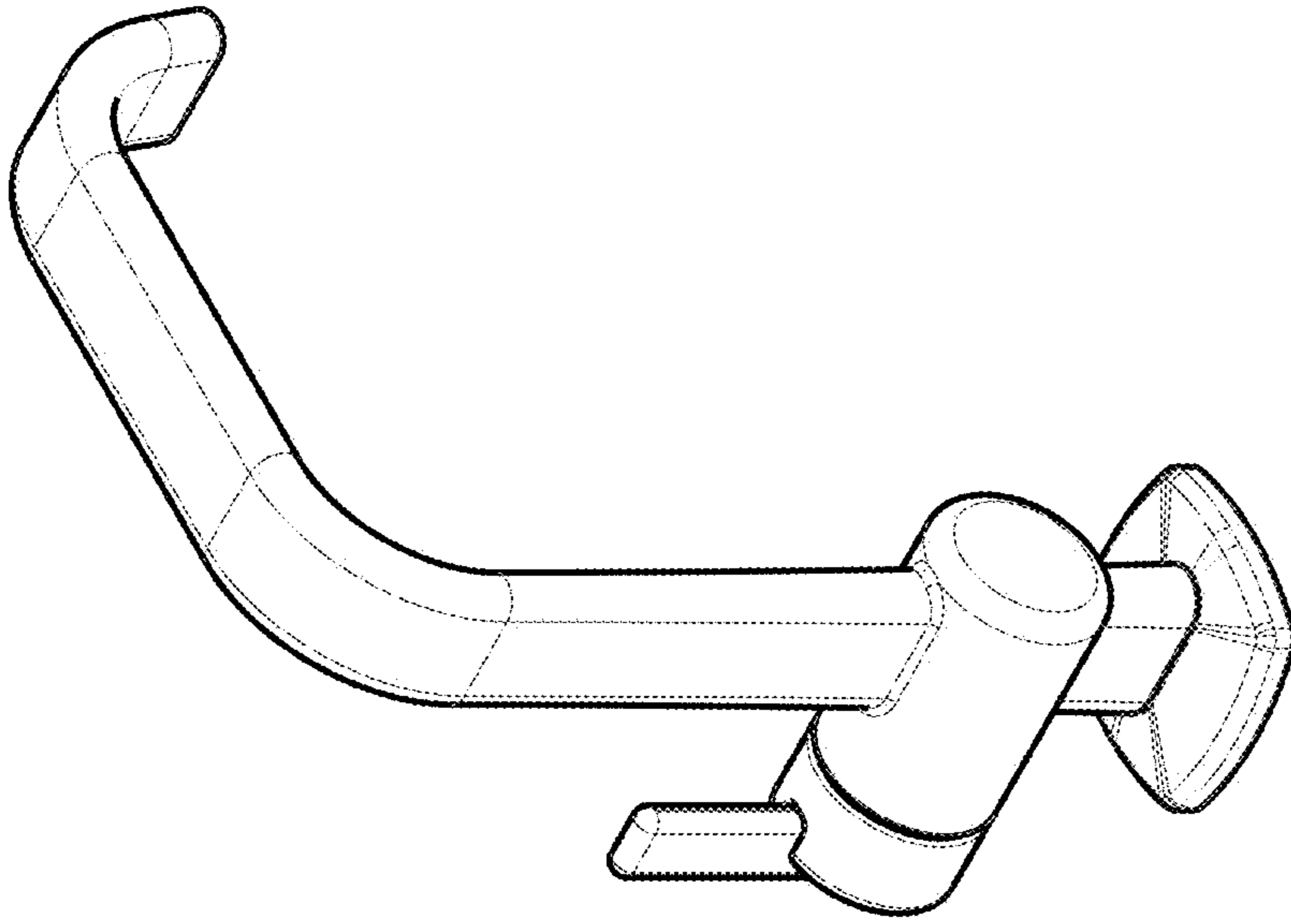


FIG - 2

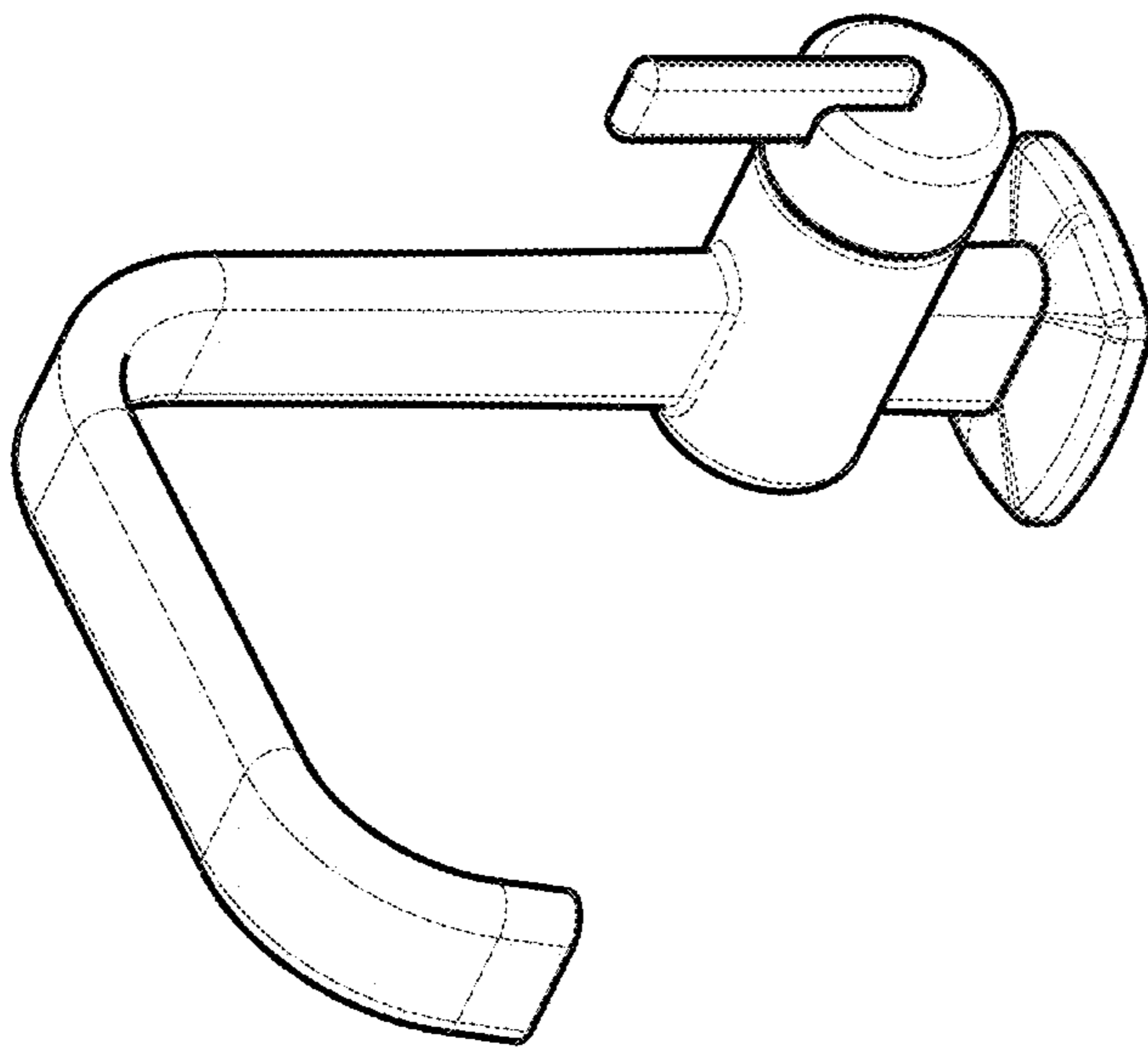


FIG - 1

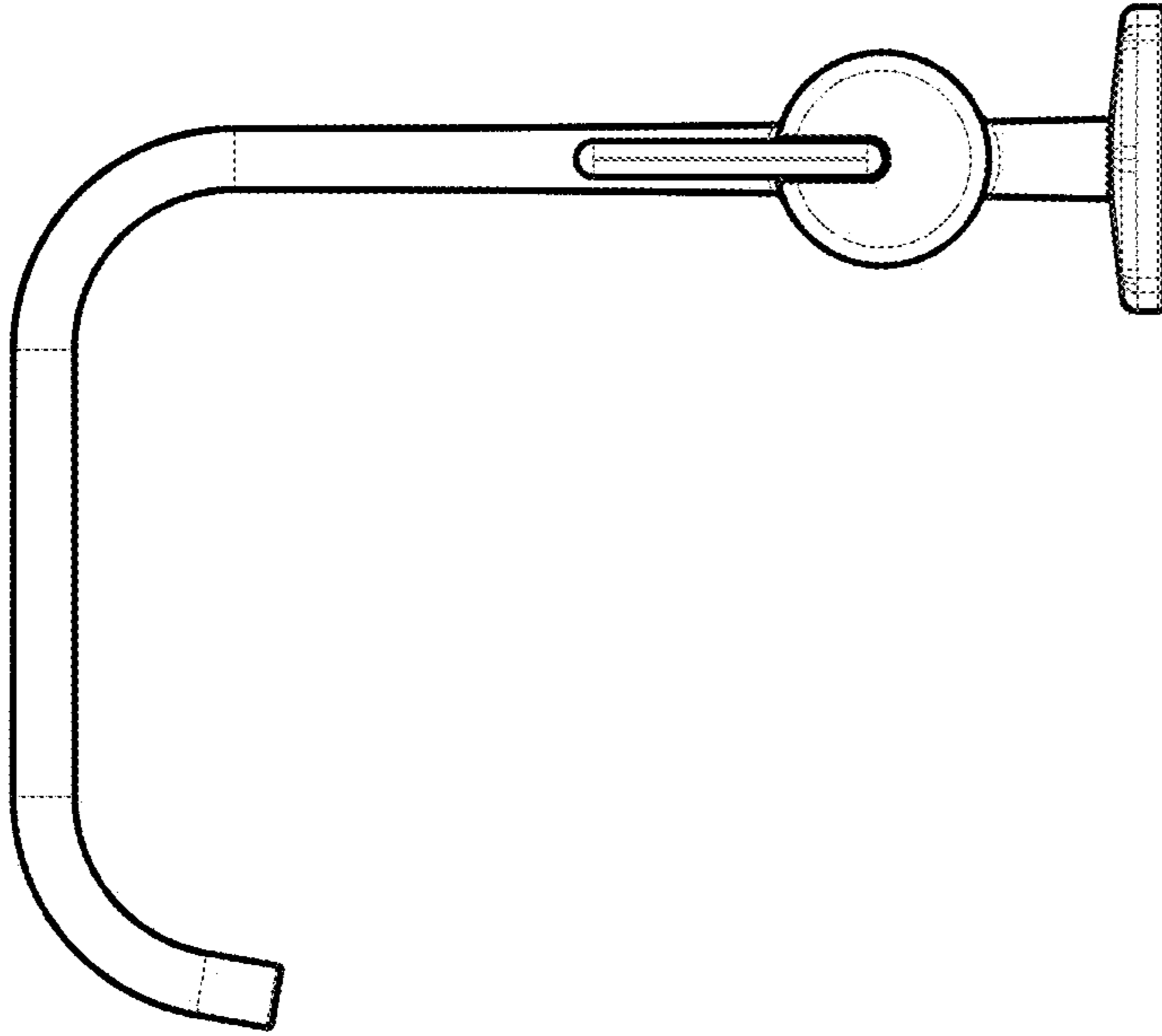


FIG - 4

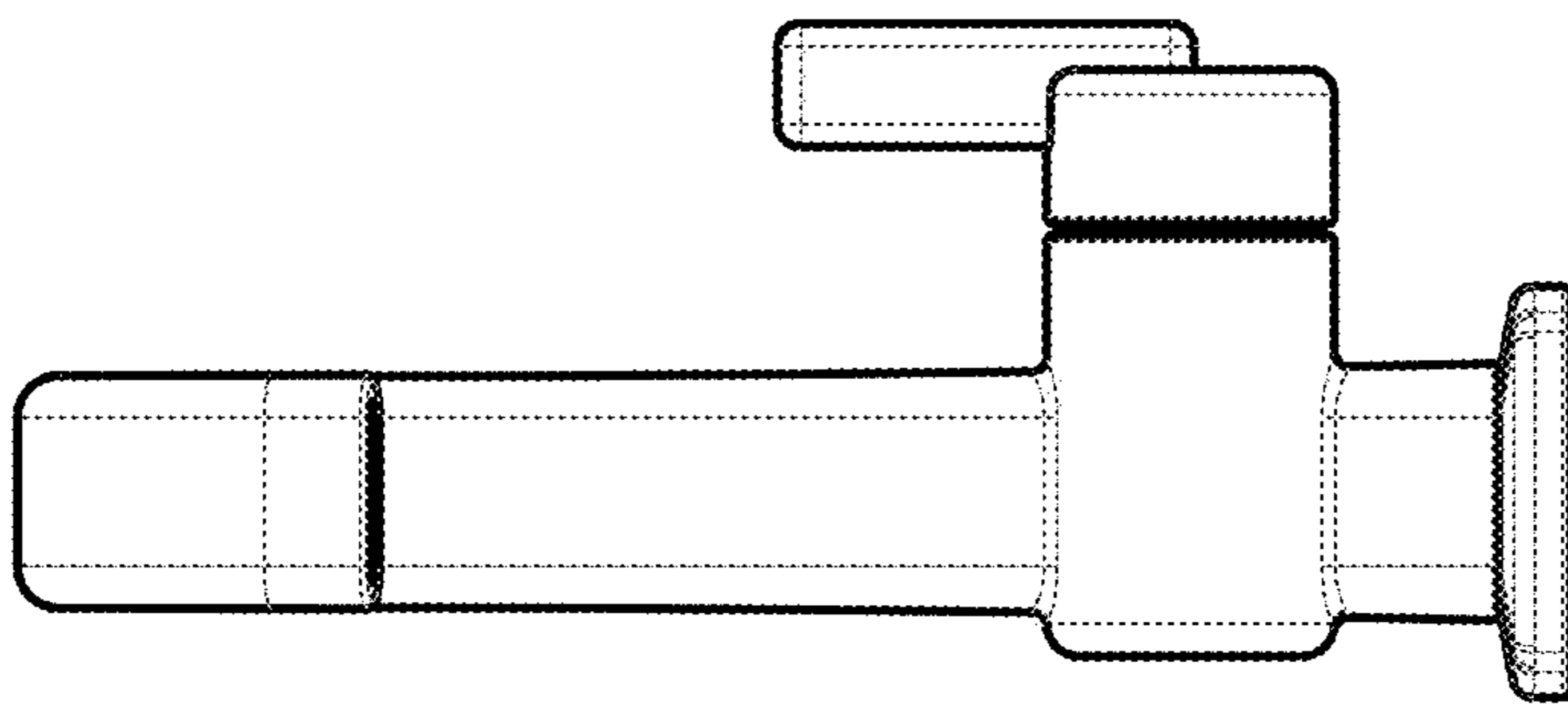


FIG - 3

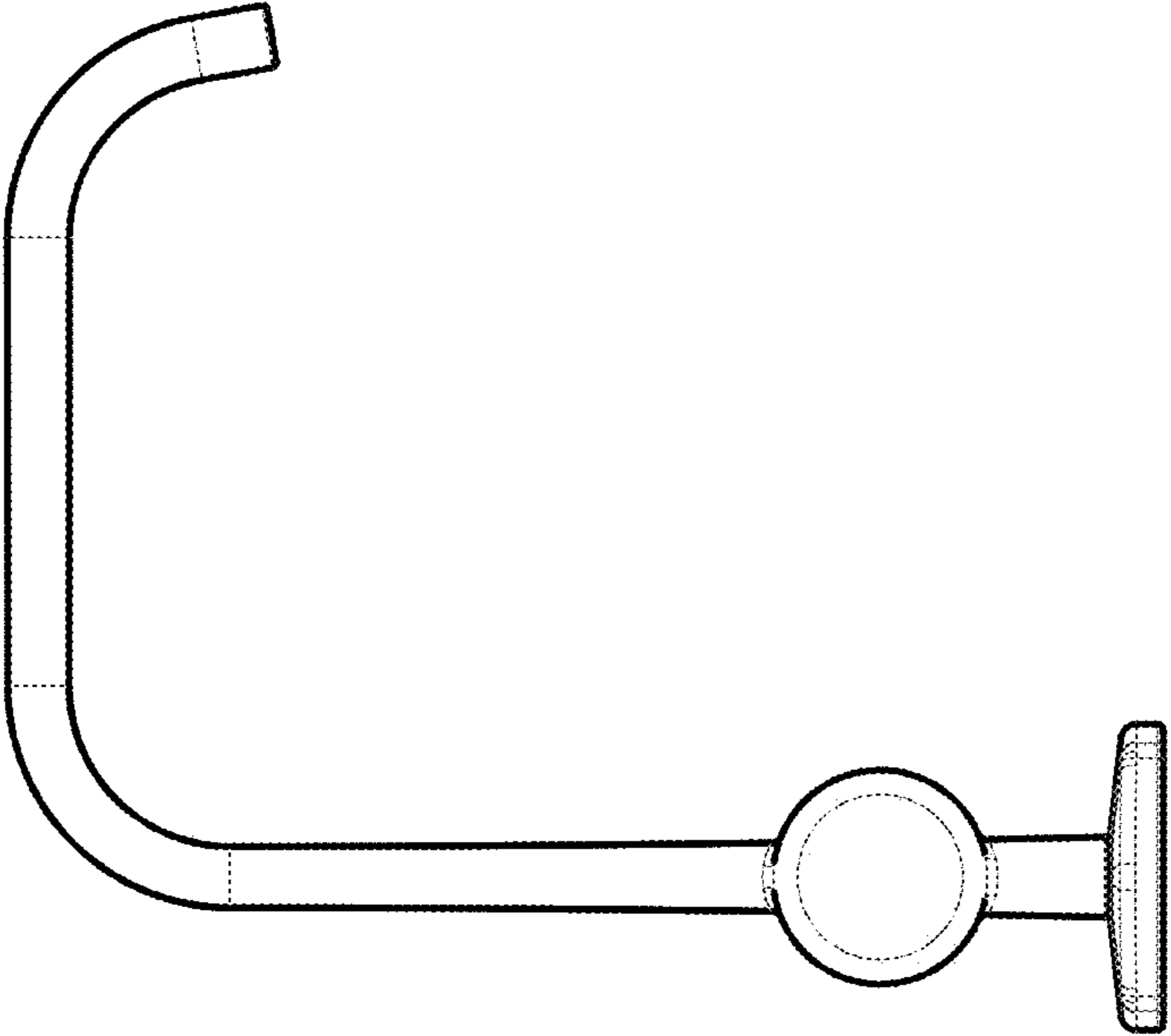


FIG - 6

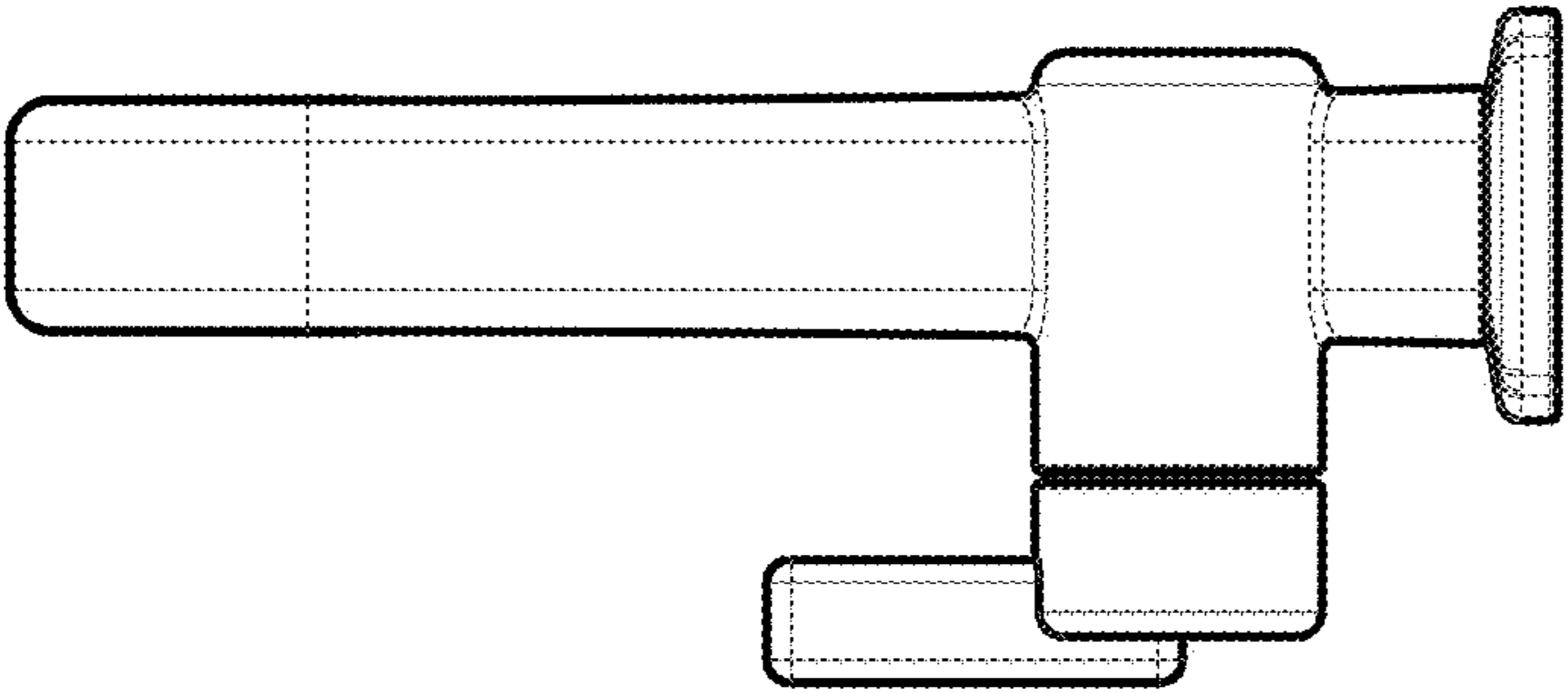


FIG - 5

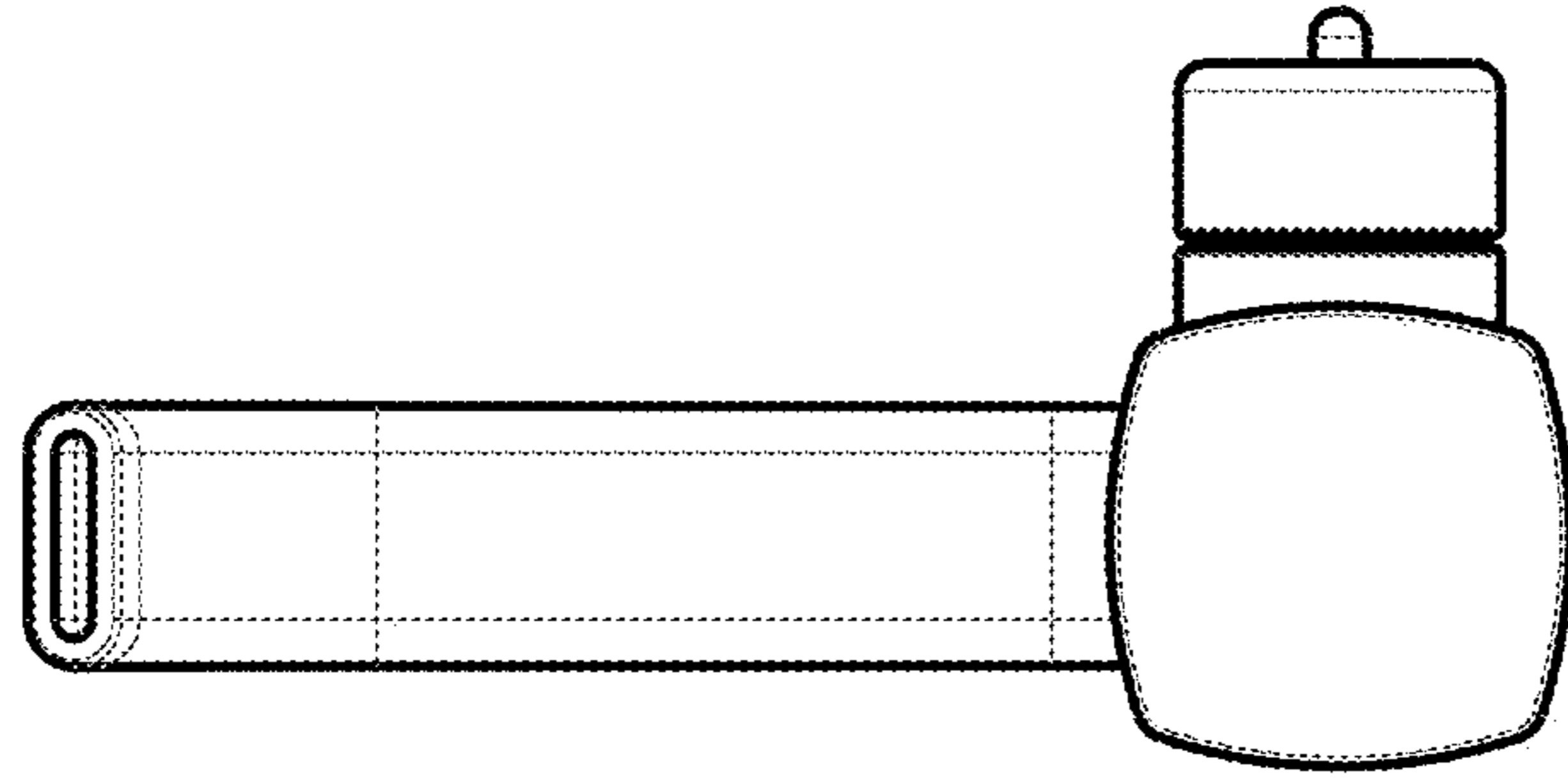


FIG - 8

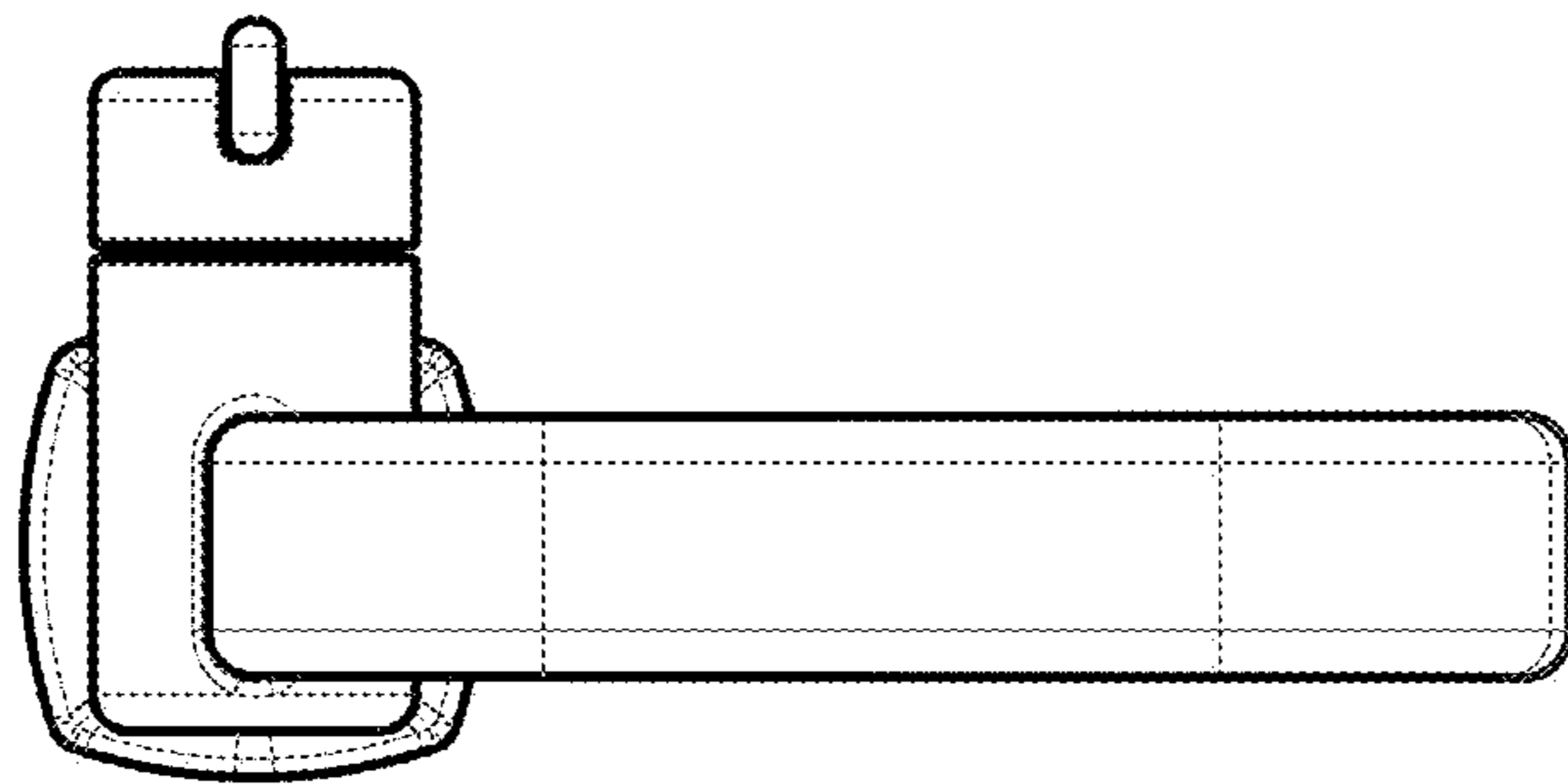


FIG - 7