

US00D954190S

(12) **United States Design Patent**
Kim et al.

(10) **Patent No.:** **US D954,190 S**
(45) **Date of Patent:** **** Jun. 7, 2022**

(54) **FAUCET**
(71) Applicant: **Spectrum Brands, Inc.**, Middleton, WI (US)

D687,126 S 7/2013 Romero et al.
D705,903 S * 5/2014 Flowers D23/238
D713,507 S * 9/2014 Potter D23/238
D720,432 S 12/2014 Hundley et al.
(Continued)

(72) Inventors: **Andy Kim**, Lake Forest, CA (US);
Tony Zhang, Xiamen (CN)

FOREIGN PATENT DOCUMENTS

(73) Assignee: **Spectrum Brands, Inc.**, Middleton, WI (US)

CA 82593 12/1997
CA 117583 2/2008
(Continued)

(**) Term: **15 Years**

OTHER PUBLICATIONS

(21) Appl. No.: **29/736,941**

Amazon, Moen One Handled Single Bathroom faucet, posted May 31, 2012, [online], [visited Nov. 16, 2021]. Internet, <URL: <https://www.amazon.com/Moen-One-Handle-High-Arc-Bathroom-Assembly/dp/B0087AQ3TC/ref>> (Year: 2012).*

(22) Filed: **Jun. 4, 2020**

(Continued)

(51) **LOC (13) Cl.** **23-01**
(52) **U.S. Cl.**
USPC **D23/238**

(58) **Field of Classification Search**
USPC D23/238, 239, 240, 241, 242, 243, 244, D23/245, 246, 247, 248, 249, 250, 251, D23/252, 253, 254, 255, 256, 257, 259
CPC Y10T 137/9464; E03C 1/00; E03C 1/02; E03C 1/04; E03C 1/042; E03C 1/044; E03C 1/0402; E03C 1/0403; E03C 1/0405; E03C 1/0412

Primary Examiner — Samantha Wood

(74) *Attorney, Agent, or Firm* — Banner & Witcoff, Ltd.

See application file for complete search history.

(57) **CLAIM**

The ornamental design for a faucet, as shown and described.

DESCRIPTION

(56) **References Cited**

U.S. PATENT DOCUMENTS

D432,635 S 10/2000 Spangler
D442,264 S 5/2001 Mullenmeister
D465,717 S 11/2002 Daams
D491,641 S 6/2004 Lin
D521,354 S 5/2006 Gilbert et al.
D566,818 S * 4/2008 Kohler, Jr. D23/255
D582,514 S 12/2008 Painter
D602,122 S 10/2009 Corbett
D607,975 S * 1/2010 Schoenherr D23/238
D618,764 S * 6/2010 Gao D23/238
D656,584 S 3/2012 Ko

FIG. 1 is a front perspective view of a faucet showing our new design;

FIG. 2 is a left side view thereof;

FIG. 3 is a right side view thereof;

FIG. 4 is a front view thereof;

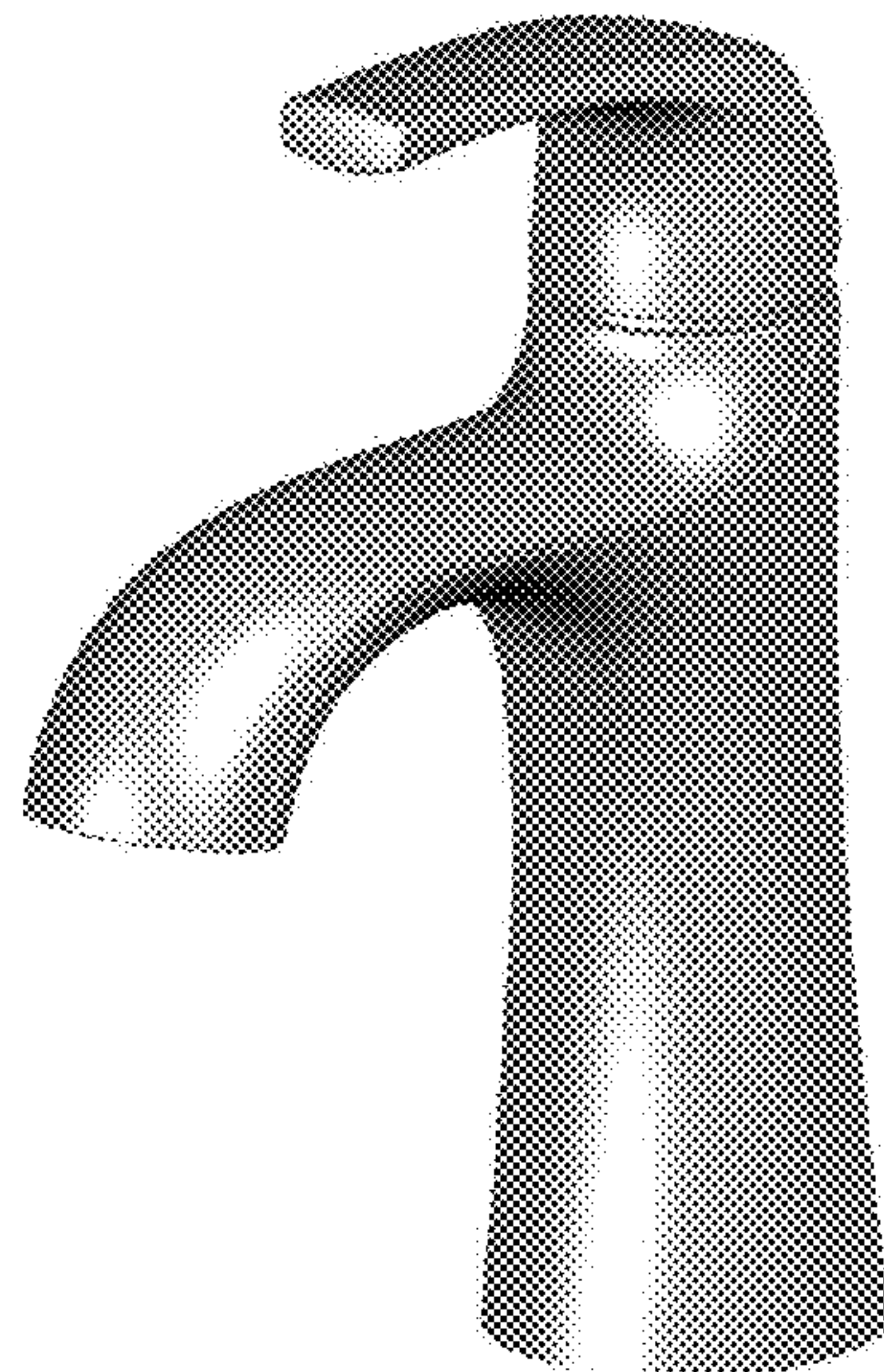
FIG. 5 is a rear view thereof;

FIG. 6 is a top view thereof; and,

FIG. 7 is a bottom view thereof.

The broken lines immediately adjacent to the photographic area define the bounds of the claimed design and form no part thereof. The unshaded areas within the broken lines form no part of the claimed design.

1 Claim, 7 Drawing Sheets



(56)

References Cited

U.S. PATENT DOCUMENTS

D746,414 S	*	12/2015	Georgeson	D23/257
D760,354 S	*	6/2016	Citterio	D23/238
D797,238 S	*	9/2017	Zhang	D23/238
D816,802 S		5/2018	Tsai	
D817,453 S	*	5/2018	Wang	D23/238
D820,957 S	*	6/2018	Schaubach	D23/238
D822,176 S		7/2018	Thun et al.	
D823,987 S	*	7/2018	Downey	D23/238
D829,867 S	*	10/2018	McKeone	D23/255
D842,434 S		3/2019	Jiang	
D842,437 S	*	3/2019	McKeone	D23/257
D854,663 S		7/2019	Chen	
D854,664 S	*	7/2019	Chen	D23/255
D877,300 S		3/2020	Tentler	
D879,916 S		3/2020	Stoler	

FOREIGN PATENT DOCUMENTS

CA	121143	2/2008
CA	158366	3/2015
CA	180419	1/2019
CN	3383828	8/2004
CN	301660936	8/2011
CN	301902724	5/2012
CN	301999569	7/2012
CN	302351923	3/2013
CN	302519357	7/2013
CN	302782151	4/2014
CN	302804347	4/2014
CN	303075943	1/2015
CN	303152092	4/2015

CN	303170196	4/2015
CN	303740714	7/2016
CN	303997864	1/2017
CN	304123510	5/2017
CN	304258105	8/2017
CN	304262038	8/2017
CN	304280877	9/2017
CN	304359949	11/2017
CN	304500232	2/2018
CN	304666076	6/2018
CN	305054961	3/2019
CN	305093780	4/2019
CN	305142674	5/2019
CN	305333247	9/2019
CN	305656060	3/2020
WO	D039939003	4/1997
WO	D046640001	4/1997
WO	D066346001	10/2004

OTHER PUBLICATIONS

“Delta Faucet-556T-CZ-DST-Delta Dorval: Single Handle Touch20. xt Bathroom Faucet”; Rampart Supply; retrieved Apr. 1, 2020; disclosure date unknown but prior to the filing date of the present application; URL: <[https://showroom.rampartsupply.com/colorado-springs-denver-pueblo/delta-faucet-556T-CZ-DST-Delta Dorval](https://showroom.rampartsupply.com/colorado-springs-denver-pueblo/delta-faucet-556T-CZ-DST-Delta-Dorval)>. “Moen-9125C-Chrome one-handle pullout kitchen faucet”; Hajoca Corporation; retrieved Apr. 1, 2020; disclosure date unknown but prior to the filing date of the present application; URL: <https://www.hajocasaltlakecityshowroom.com/Moen-9125C-Chrome-Single-Hole-Kitchen-Faucets>.

* cited by examiner



FIG. 1



FIG. 2



FIG. 3

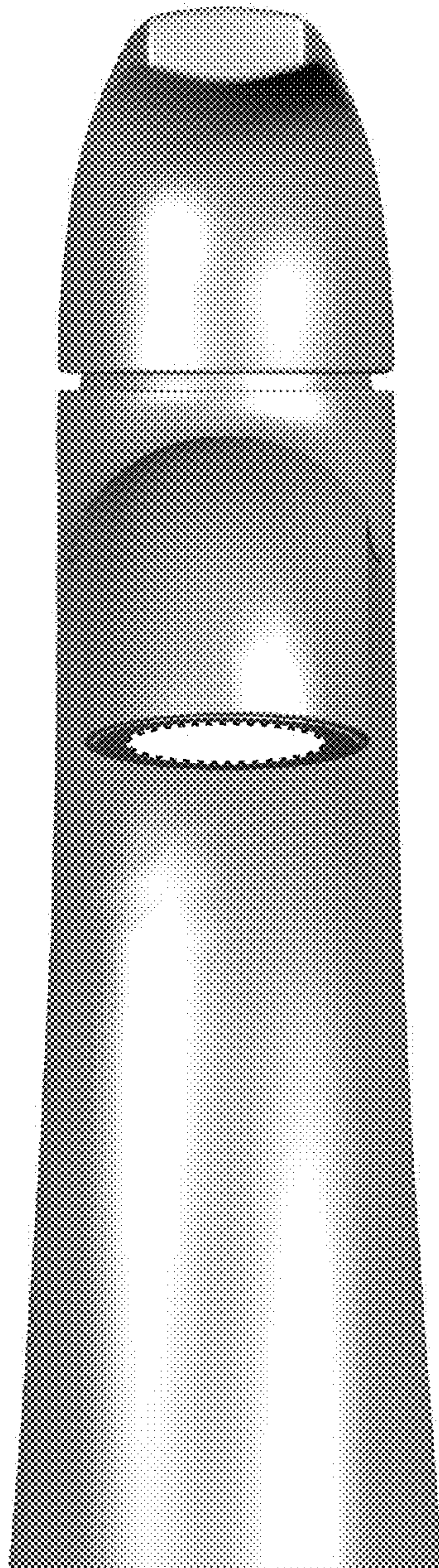


FIG. 4

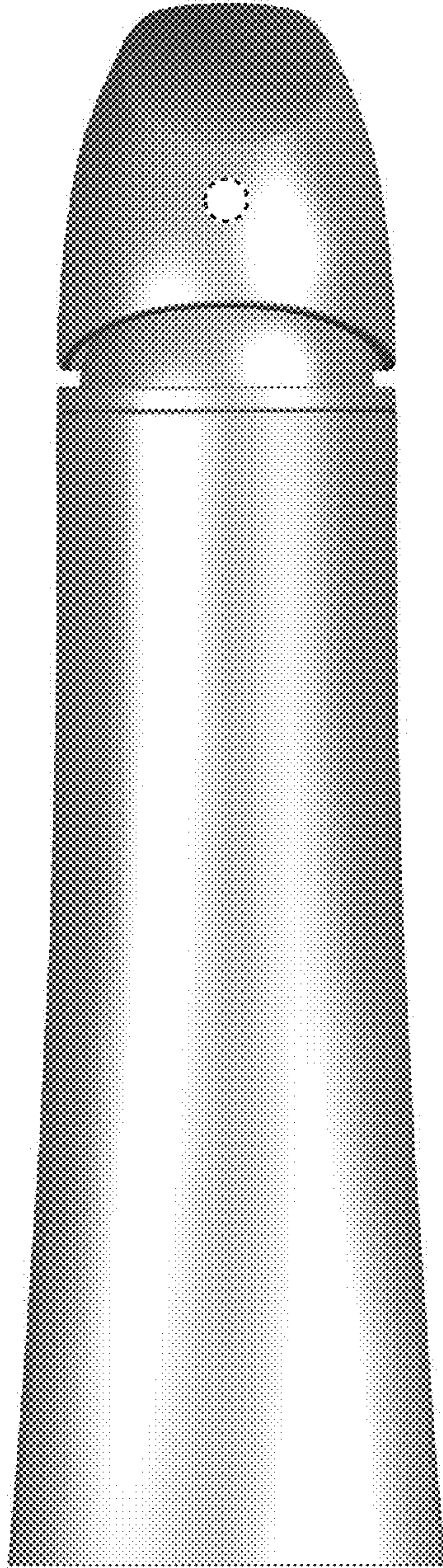


FIG. 5

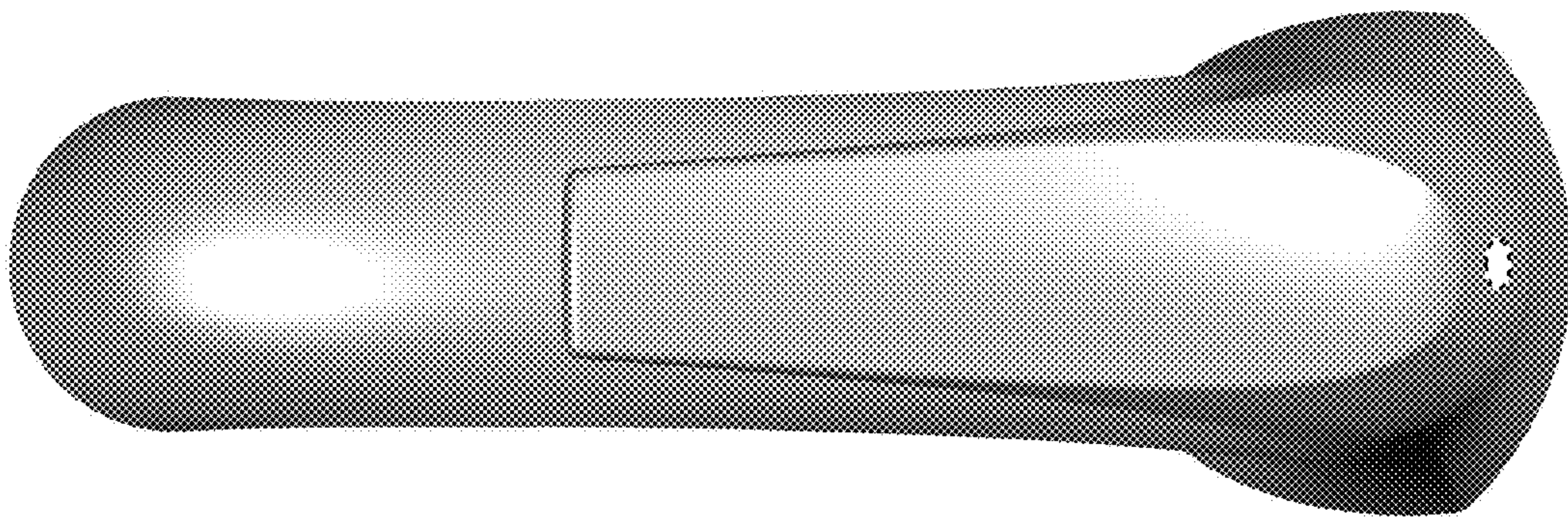


FIG. 6

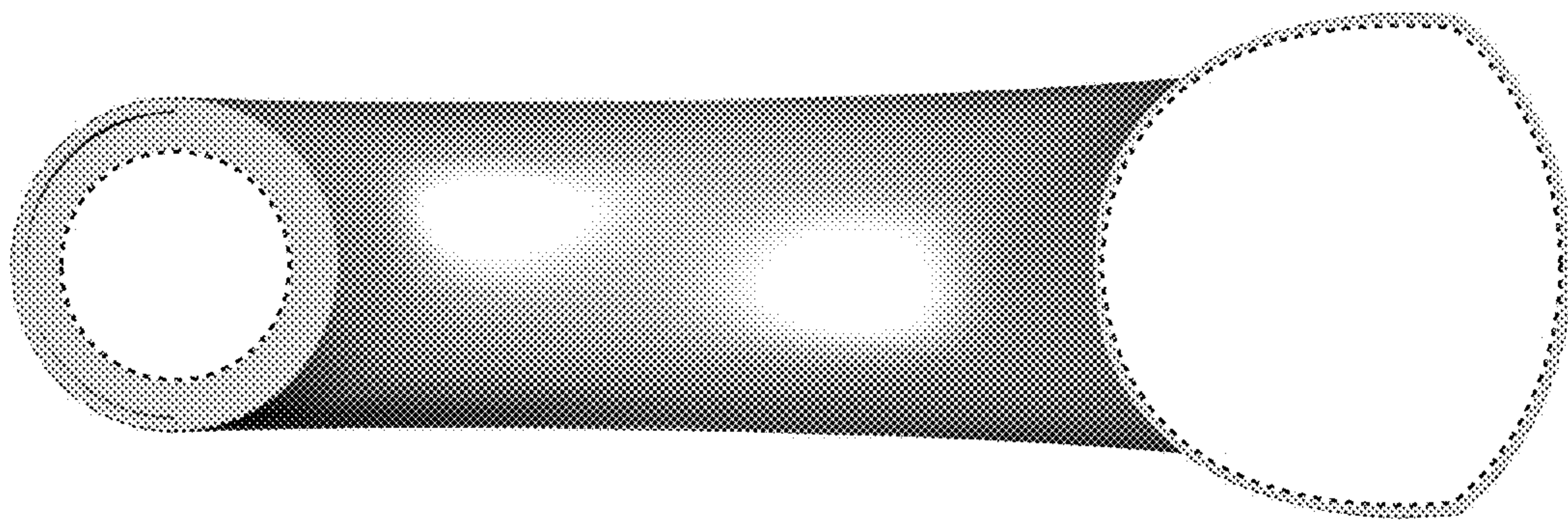


FIG. 7