

US00D954189S

(12) **United States Design Patent**
Upadhyaya

(10) **Patent No.:** **US D954,189 S**
(45) **Date of Patent:** **** Jun. 7, 2022**

- (54) **FAUCET**
- (71) Applicant: **DELTA FAUCET COMPANY,**
Indianapolis, IN (US)
- (72) Inventor: **Alexandra Upadhyaya,** Midlothian, VA
(US)
- (73) Assignee: **DELTA FAUCET COMPANY,**
Indianapolis, IN (US)
- (**) Term: **15 Years**
- (21) Appl. No.: **29/736,925**
- (22) Filed: **Jun. 4, 2020**
- (51) **LOC (13) Cl.** **23-01**
- (52) **U.S. Cl.**
USPC **D23/238**
- (58) **Field of Classification Search**
USPC D23/257, 259, 249, 234–238, 240–248,
D23/250–256
CPC E03C 1/01; E03C 1/0409; E03C 1/025;
E03C 1/0408; E03C 1/04; E03C 1/0401;
E03C 1/0402; E03C 1/0405; E03C
1/0412; Y10T 137/5339; Y10T 137/6014;
Y10T 137/6021
See application file for complete search history.

| | | | | |
|--------------|---------|------------|-------|---------|
| D764,631 S * | 8/2016 | Schoenherr | | D23/238 |
| D867,522 S * | 11/2019 | Tentler | | D23/213 |
| D867,532 S * | 11/2019 | Liao | | D23/238 |
| D868,211 S * | 11/2019 | Garland | | D23/238 |
| D868,938 S * | 12/2019 | Tentler | | D23/238 |
| D876,588 S * | 2/2020 | Garland | | D23/238 |

FOREIGN PATENT DOCUMENTS

IN 219765 * 11/2008

OTHER PUBLICATIONS

Architonic, Zedra Single-lever sink mixer ½" by GROHE, launched 2013, [online], [visited Oct. 20, 2021]. Internet, <URL: https://www.architonic.com/en/product/grohe-zedra-single-lever-sink-mixer-1-2/1434062> (Year: 2013).*

* cited by examiner

Primary Examiner — Samantha Wood

(74) *Attorney, Agent, or Firm* — Nirav D. Parikh; Edgar A. Zarins

(57) **CLAIM**

The ornamental design for a faucet, as shown and described.

DESCRIPTION

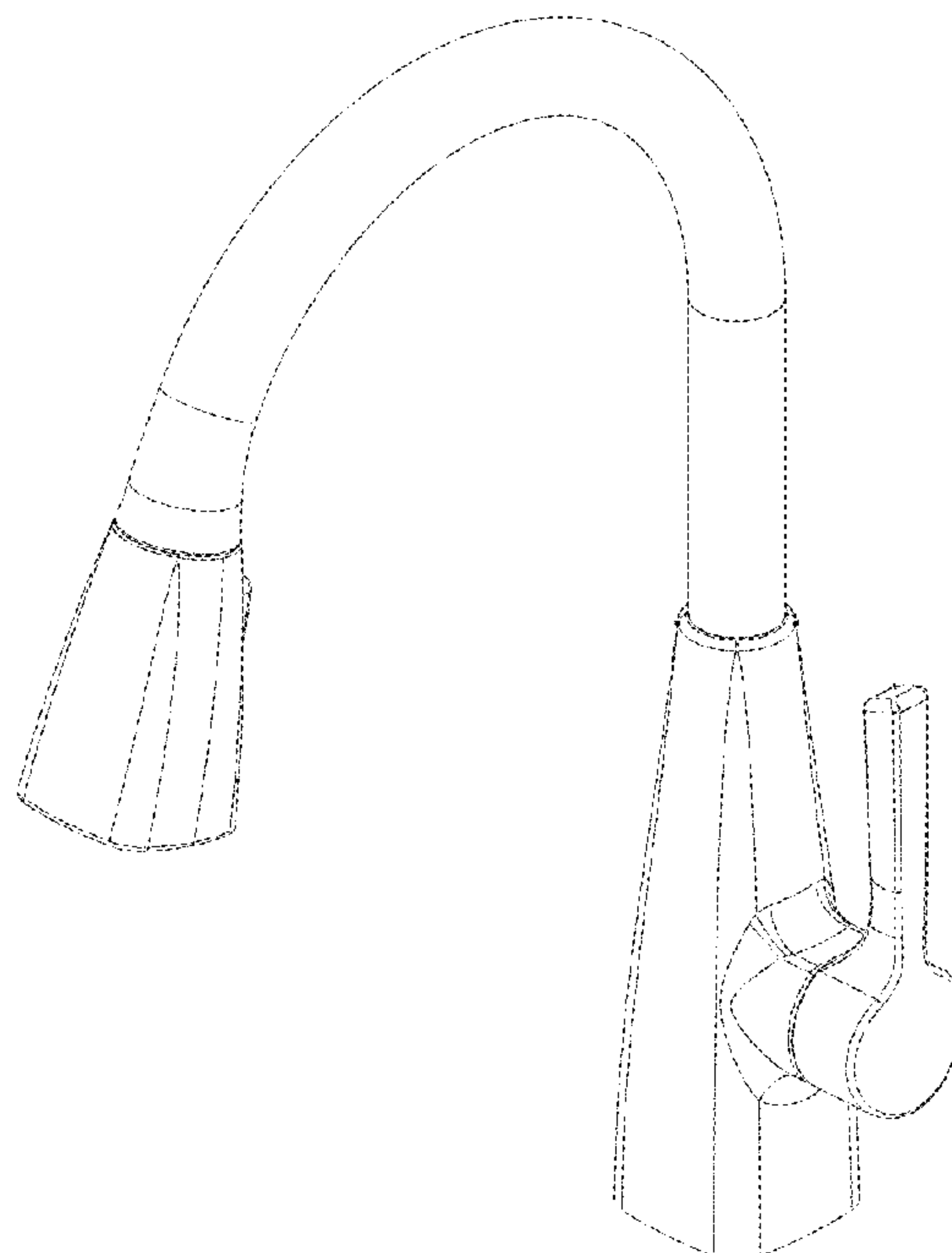
FIG. 1 is a front perspective view of a faucet showing my new design;
FIG. 2 is a rear perspective view thereof;
FIG. 3 is a front elevational view thereof;
FIG. 4 is a left side view thereof;
FIG. 5 is a rear view thereof;
FIG. 6 is a right side view thereof;
FIG. 7 is a top plan view thereof; and,
FIG. 8 is a bottom view thereof.

1 Claim, 4 Drawing Sheets

(56) **References Cited**

U.S. PATENT DOCUMENTS

| | | | | |
|--------------|---------|------------|-------|---------|
| D693,906 S * | 11/2013 | Zhang | | D23/238 |
| D696,386 S * | 12/2013 | Schoenherr | | D23/238 |
| D709,166 S * | 7/2014 | Yu | | D23/238 |
| D723,664 S * | 3/2015 | Pony | | D23/238 |
| D754,820 S * | 4/2016 | Bahler | | D23/238 |
| D762,286 S * | 7/2016 | Pony | | D23/238 |



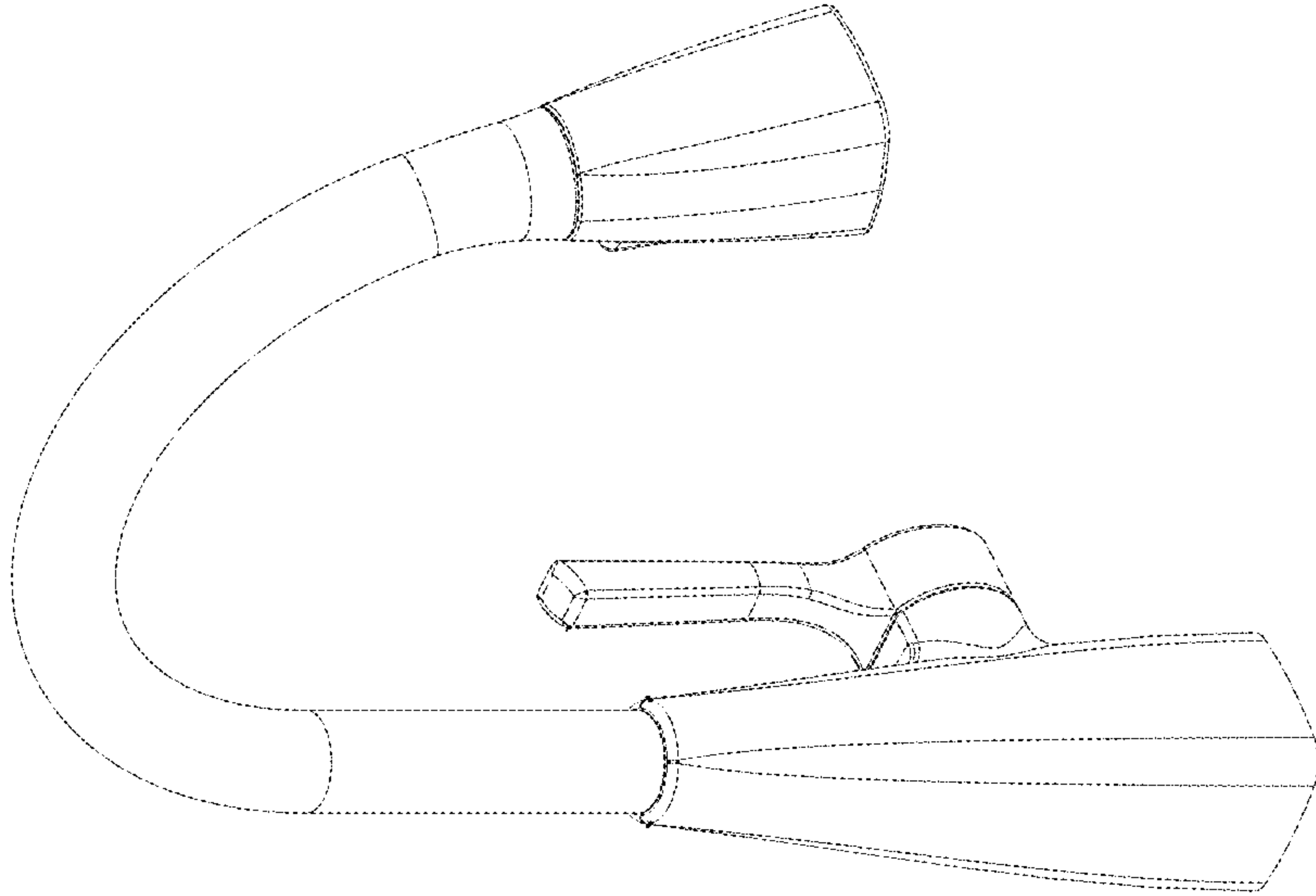


FIG-2

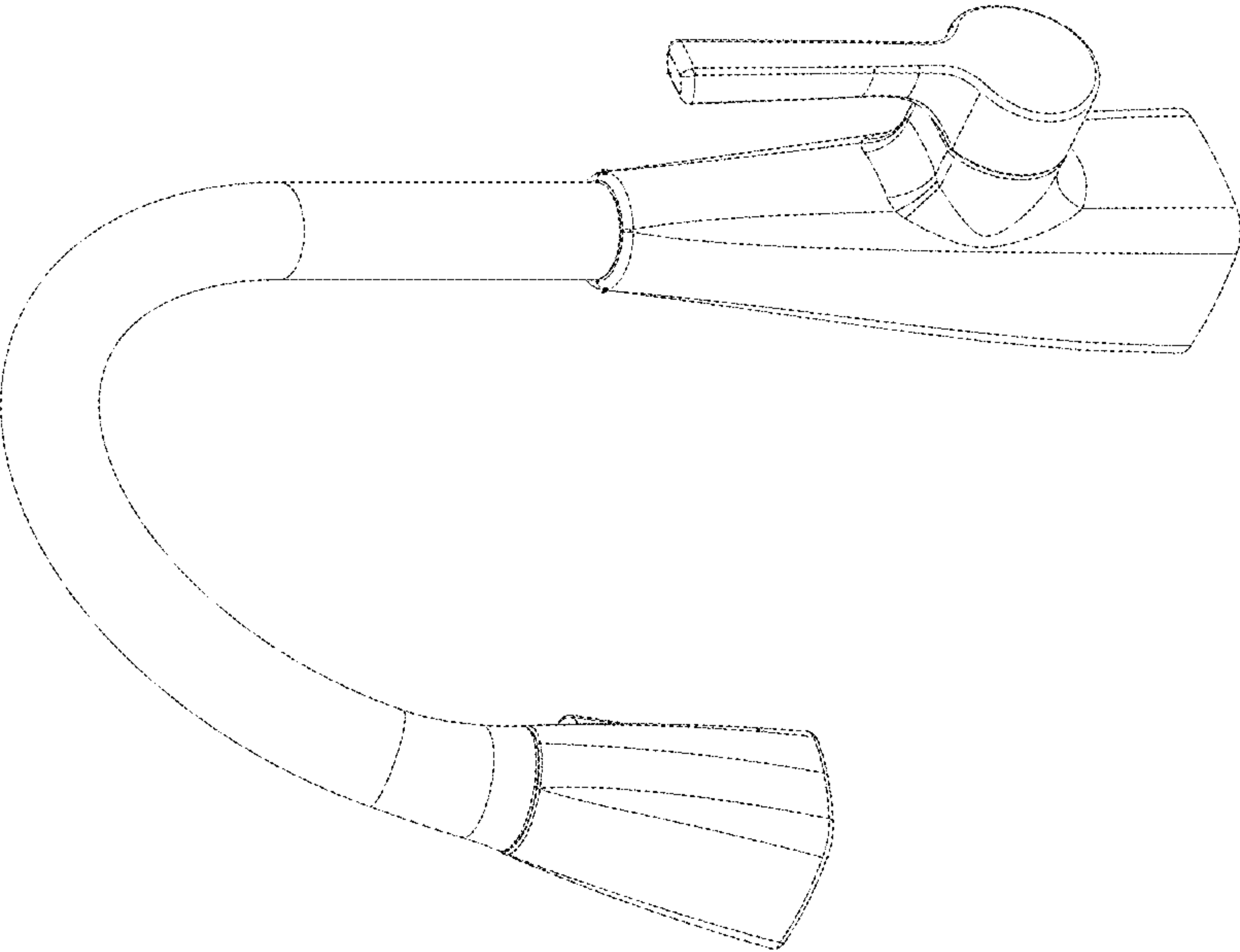


FIG-1

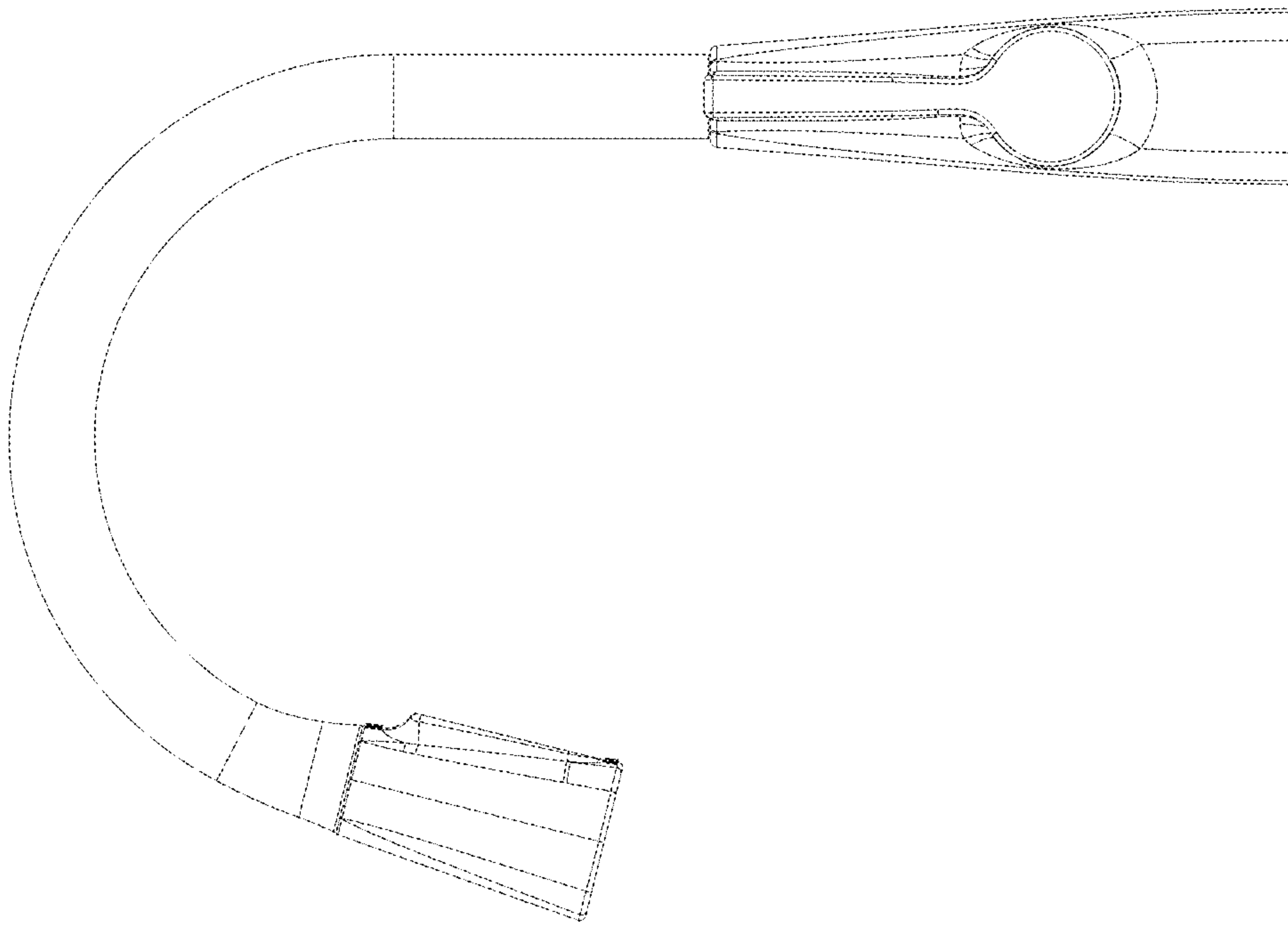


FIG-4

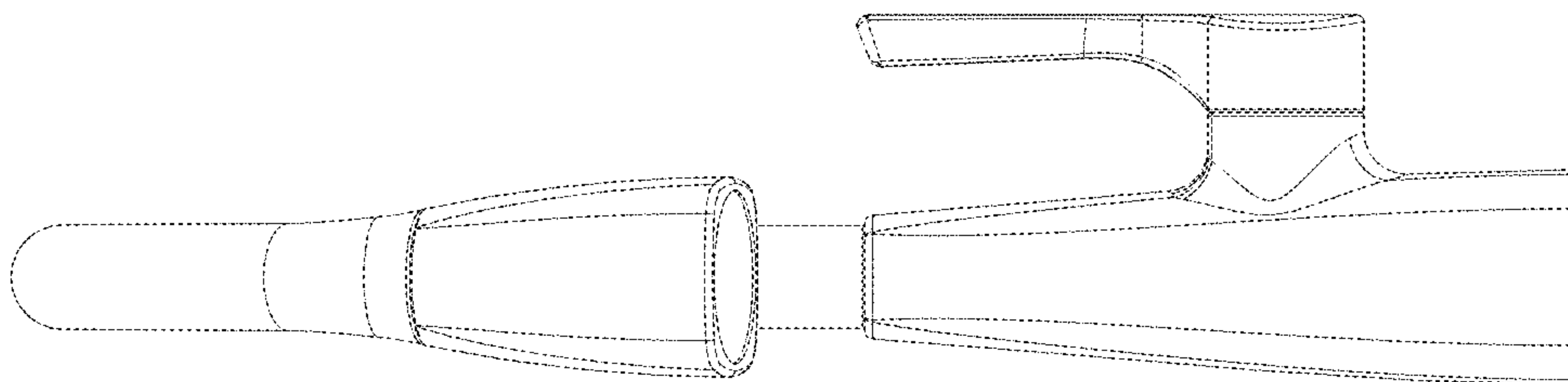


FIG-3

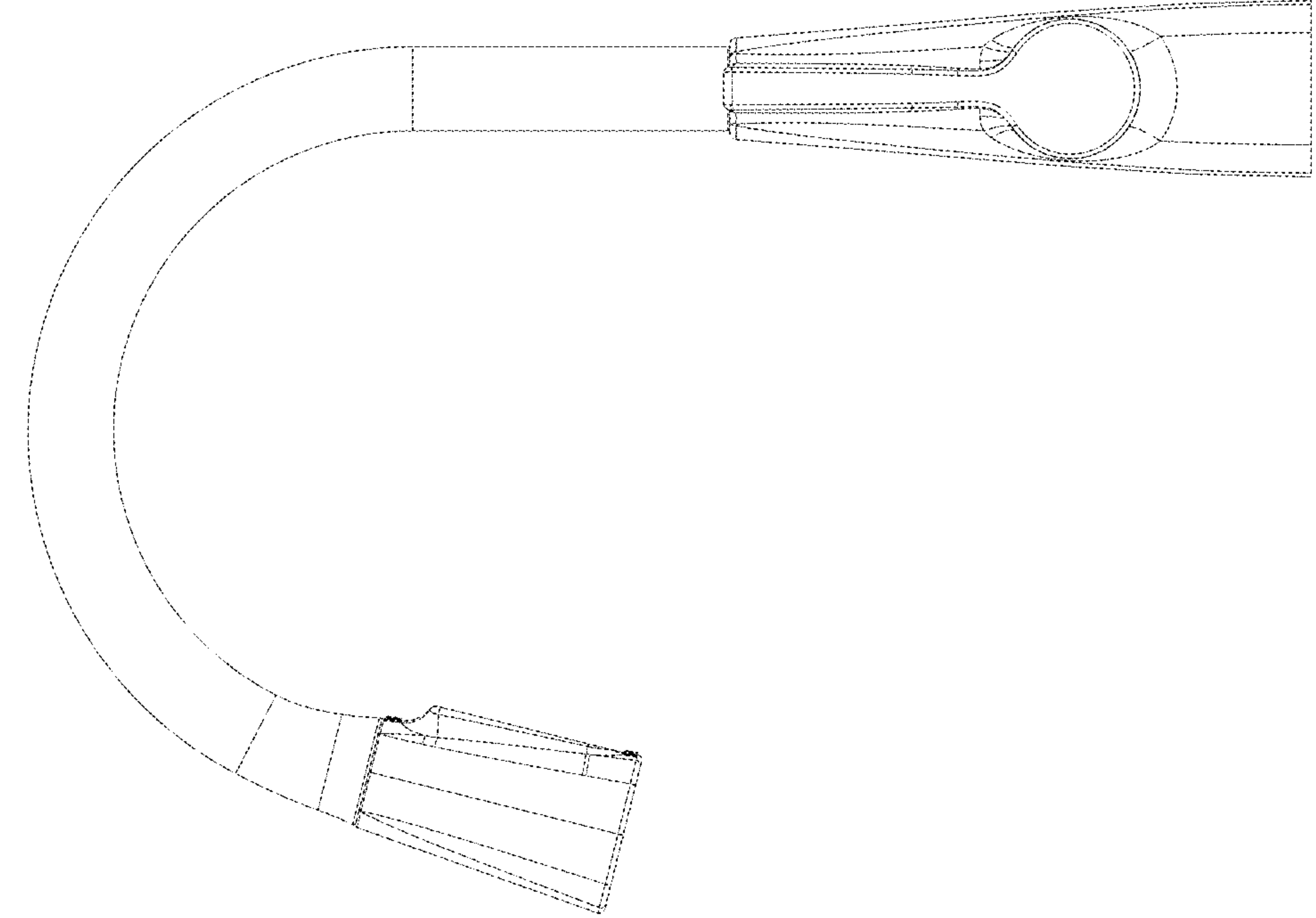


FIG-6

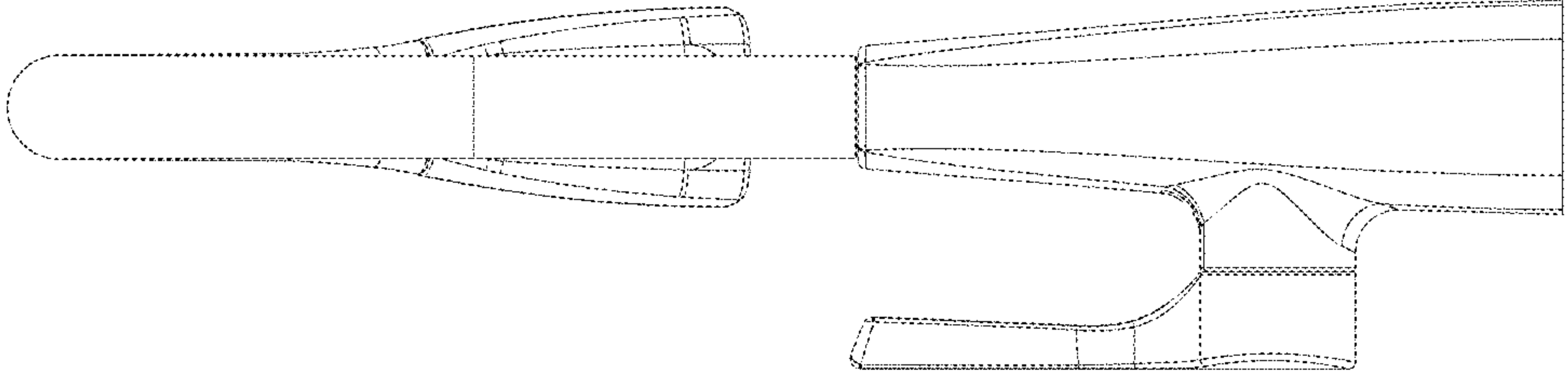


FIG-5

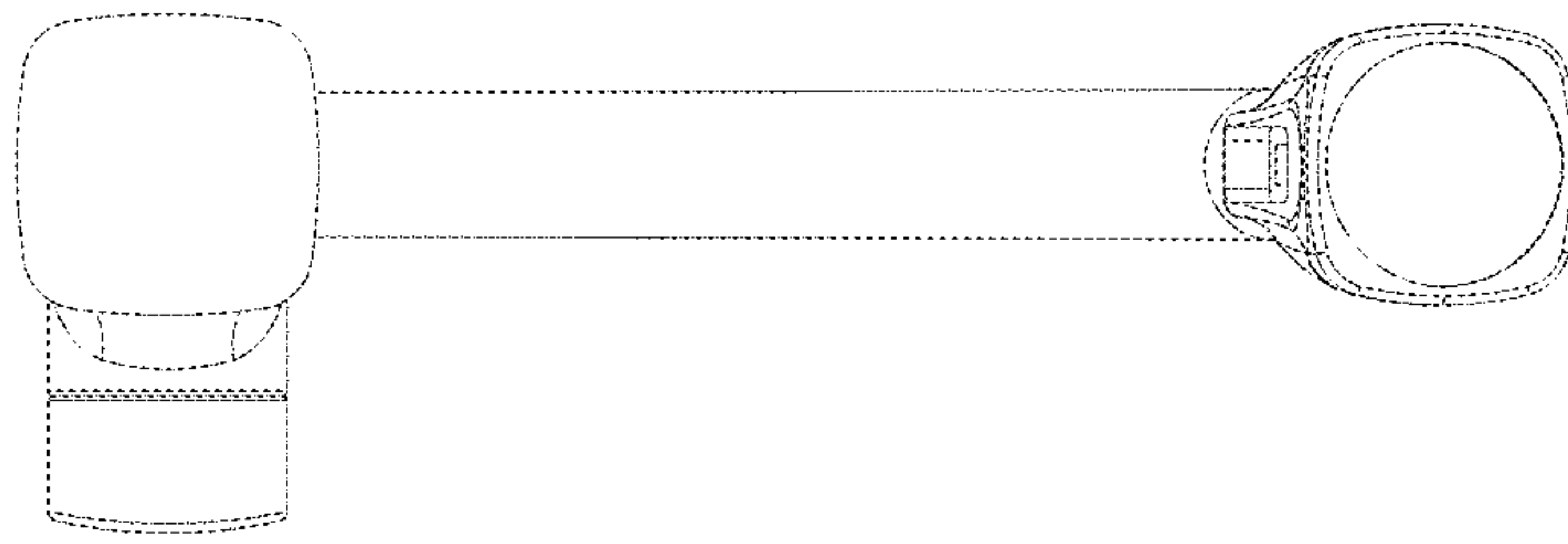


FIG-8

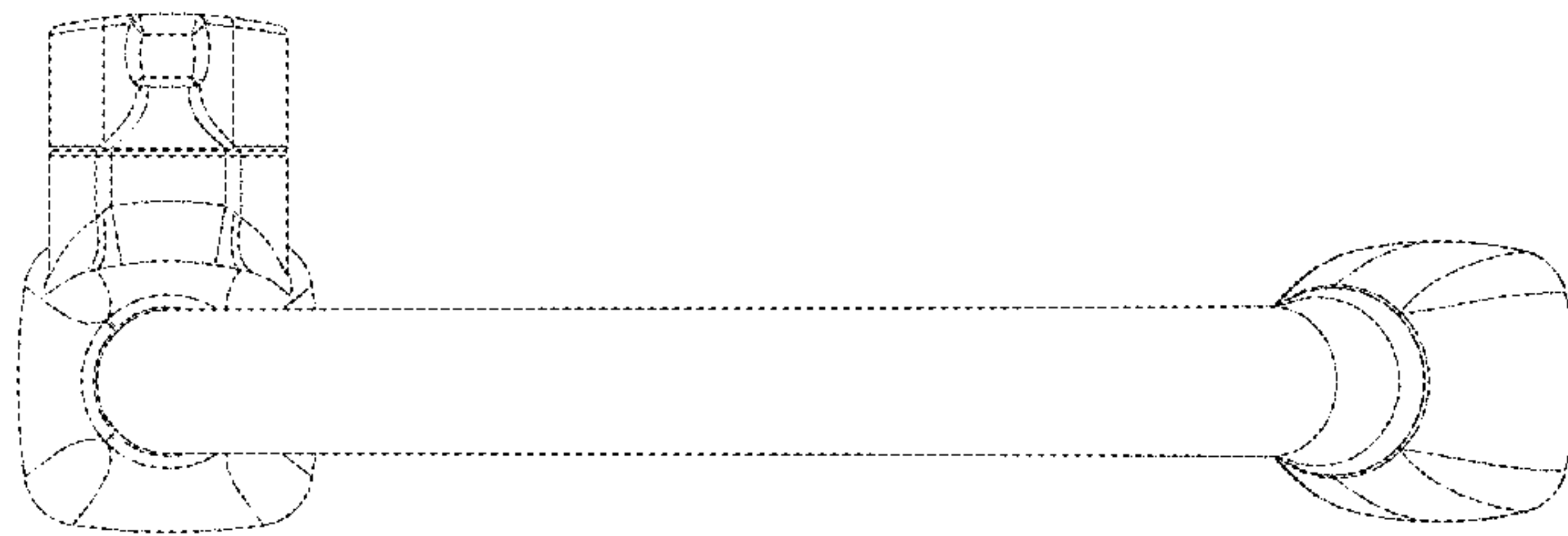


FIG-7