



US00D954188S

(12) **United States Design Patent** (10) **Patent No.:** **US D954,188 S**  
**Fritz** (45) **Date of Patent:** **\*\* Jun. 7, 2022**

(54) **FAUCET**  
(71) Applicant: **DELTA FAUCET COMPANY,**  
Indianapolis, IN (US)  
(72) Inventor: **Seth Fritz,** Carmel, IN (US)  
(73) Assignee: **DELTA FAUCET COMPANY,**  
Indianapolis, IN (US)

D530,795 S \* 10/2006 Sutopo ..... D23/255  
D533,632 S \* 12/2006 Kennard ..... D23/238  
D534,243 S \* 12/2006 Kennard ..... D23/238  
D705,398 S \* 5/2014 Flowers ..... D23/238  
D714,916 S \* 10/2014 Flowers ..... D23/255  
D800,259 S \* 10/2017 Fritz ..... D23/238  
D809,109 S \* 1/2018 Kirar ..... D23/255  
D840,508 S \* 2/2019 Garland ..... D23/238  
D847,951 S \* 5/2019 Zhang ..... D23/238  
D859,599 S \* 9/2019 Bahler ..... D23/253  
D865,915 S \* 11/2019 Soulier ..... D23/250  
D868,939 S \* 12/2019 Bahler ..... D23/238

(\*\*) Term: **15 Years**

(21) Appl. No.: **29/734,429**

(22) Filed: **May 12, 2020**

(51) **LOC (13) Cl.** ..... **23-01**

(52) **U.S. Cl.**  
USPC ..... **D23/238**

(58) **Field of Classification Search**  
USPC ..... D23/257, 249, 254, 259, 255, 233, 234,  
D23/235, 236, 237, 238, 240, 241, 242,  
D23/243, 244, 245, 246, 247, 248, 250,  
D23/251, 252, 253, 256  
CPC ..... E03C 1/01; E03C 1/0409; E03C 1/025;  
E03C 1/0408; E03C 1/04; E03C 1/0401;  
E03C 1/0402; E03C 1/0405; E03C  
1/0412; Y10T 137/5339; Y10T 137/6014;  
Y10T 137/6021

See application file for complete search history.

(56) **References Cited**

**U.S. PATENT DOCUMENTS**

D263,989 S \* 4/1982 Fleischmann ..... D23/252  
D441,434 S \* 5/2001 Dretzka ..... D23/255  
D490,504 S \* 5/2004 Lin ..... D23/238  
D491,633 S \* 6/2004 Ouyoung ..... D23/238  
D508,554 S \* 8/2005 Kennard ..... D23/252  
D511,200 S \* 11/2005 Kulig ..... D23/238  
D515,179 S \* 2/2006 Kennard ..... D23/238  
D518,558 S \* 4/2006 Soriano ..... D23/255  
D520,609 S \* 5/2006 Spangler ..... D23/255

**OTHER PUBLICATIONS**

Amazon, Solepearl Antique Brass Bathroom, posted Jun. 24, 2019, [online], [visited Sep. 3, 2021]. Internet, <URL: https://www.amazon.co.uk/dp/B07RXQCSB8/ref> (Year: 2018).\*  
Amazon, Funime Black Kitchen Sink Taps, posted Aug. 23, 2017, [online], [visited Sep. 3, 2021]. Internet, <URL: https://www.amazon.co.uk/dp/B0753624TR/ref> (Year: 2017).\*

\* cited by examiner

*Primary Examiner* — Samantha Wood

(74) *Attorney, Agent, or Firm* — Nirav D. Parikh; Edgar A. Zarins

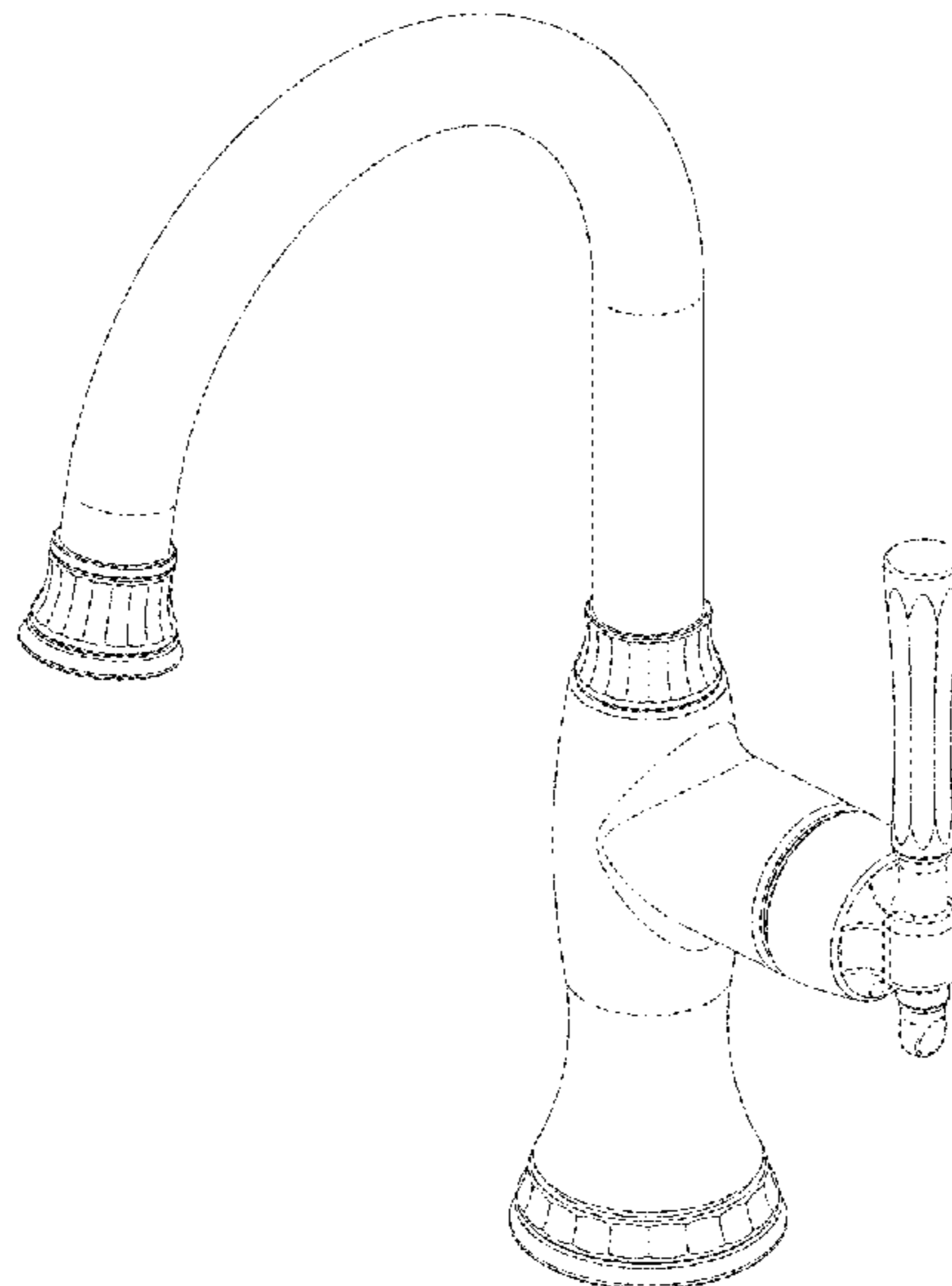
(57) **CLAIM**

The ornamental design for a faucet, as shown and described.

**DESCRIPTION**

FIG. 1 is a front perspective view of a faucet showing my new design;  
FIG. 2 is a rear perspective view thereof;  
FIG. 3 is a front elevational view thereof;  
FIG. 4 is a left side view thereof;  
FIG. 5 is a rear view thereof;  
FIG. 6 is a right side view thereof;  
FIG. 7 is a top plan view thereof; and,  
FIG. 8 is a bottom view thereof.

**1 Claim, 4 Drawing Sheets**



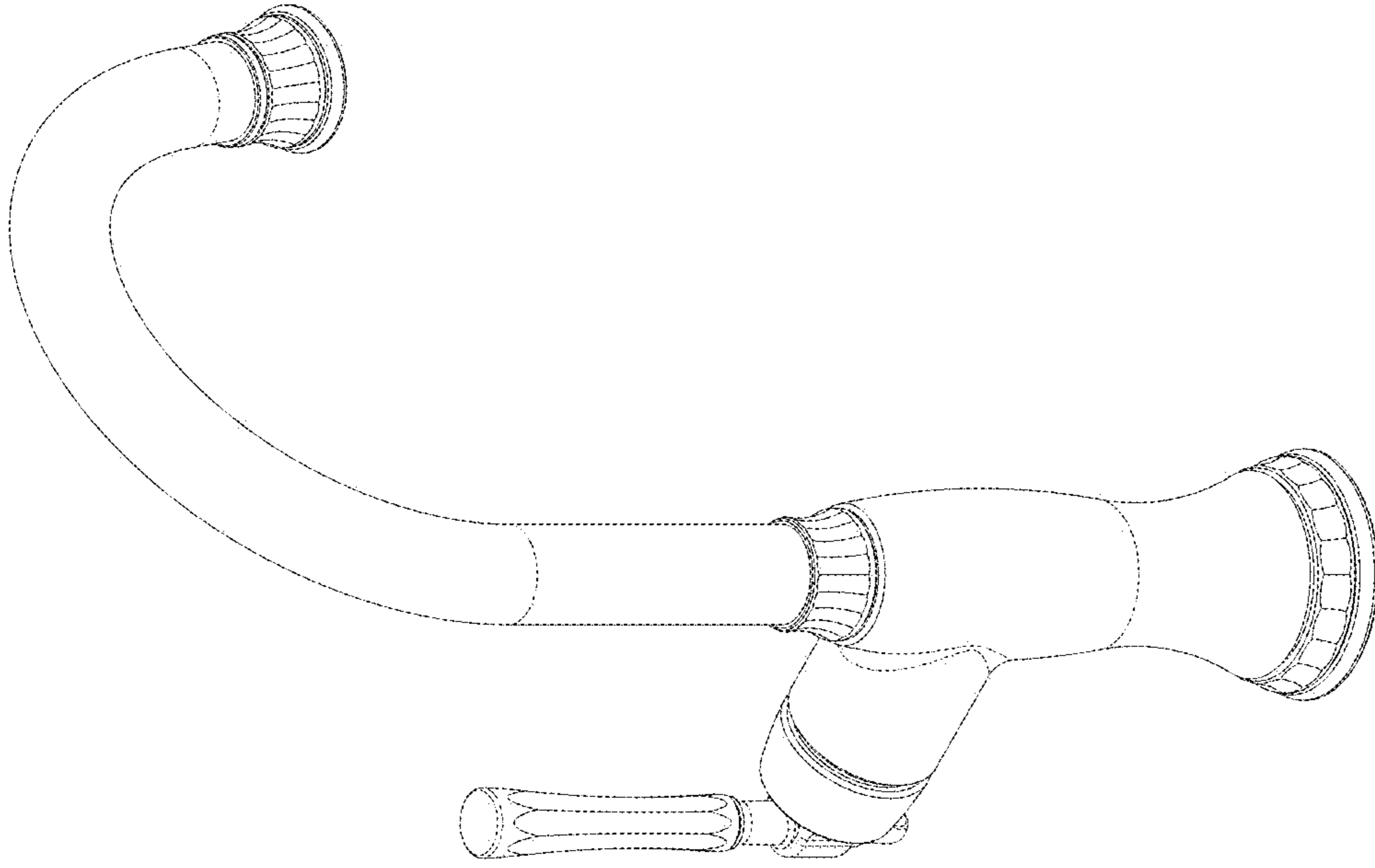


FIG - 2

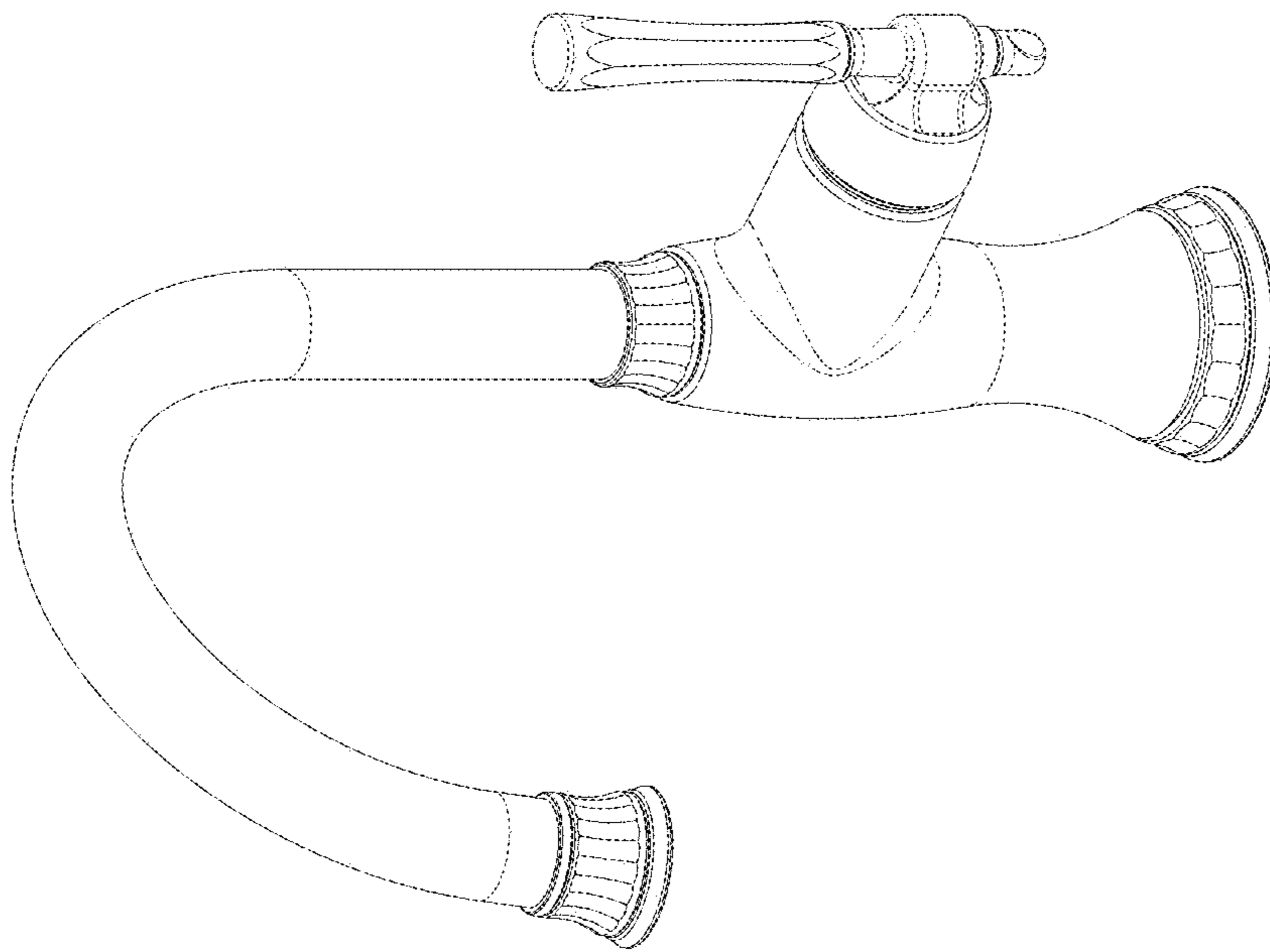


FIG - 1

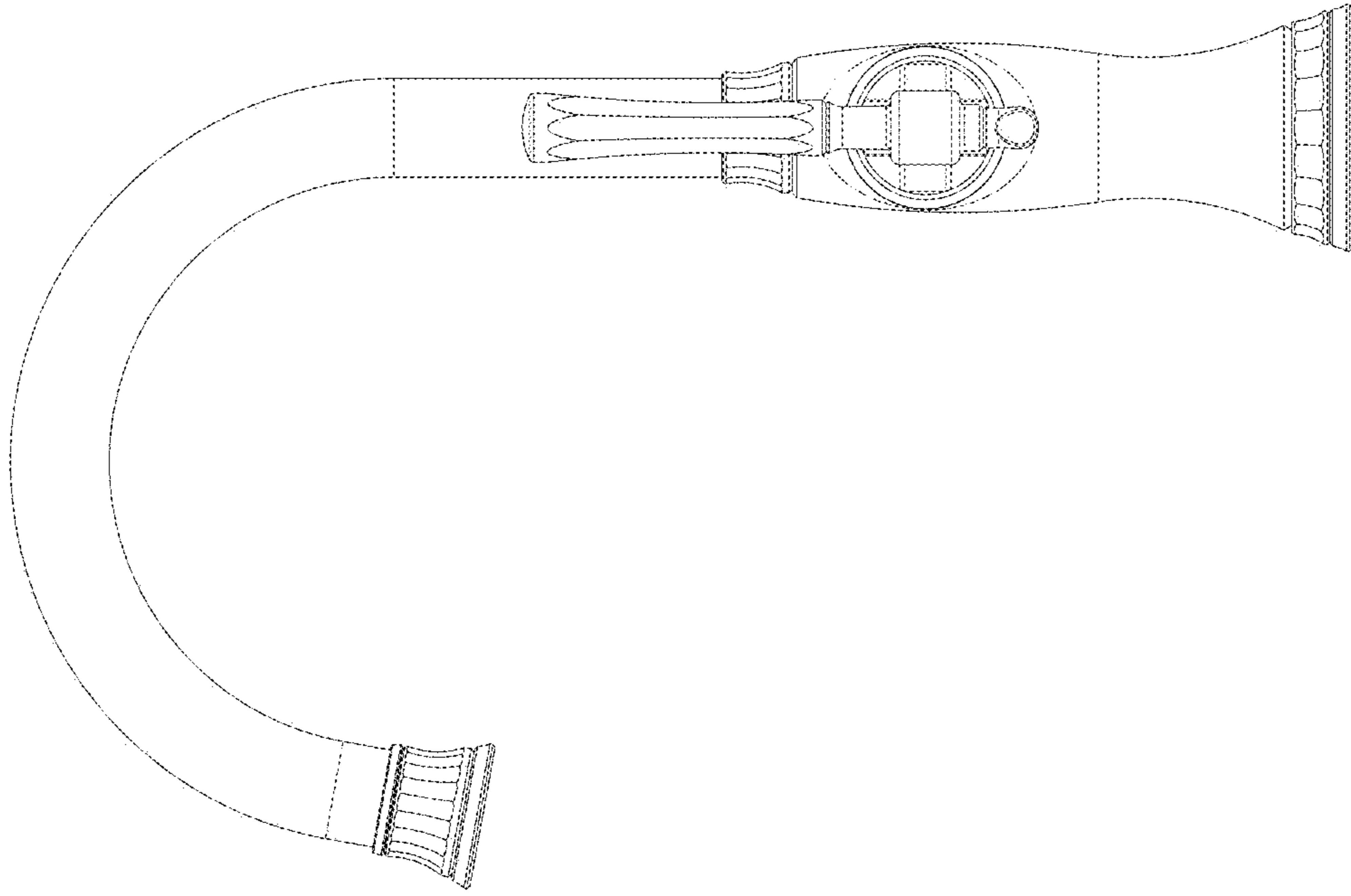


FIG - 4

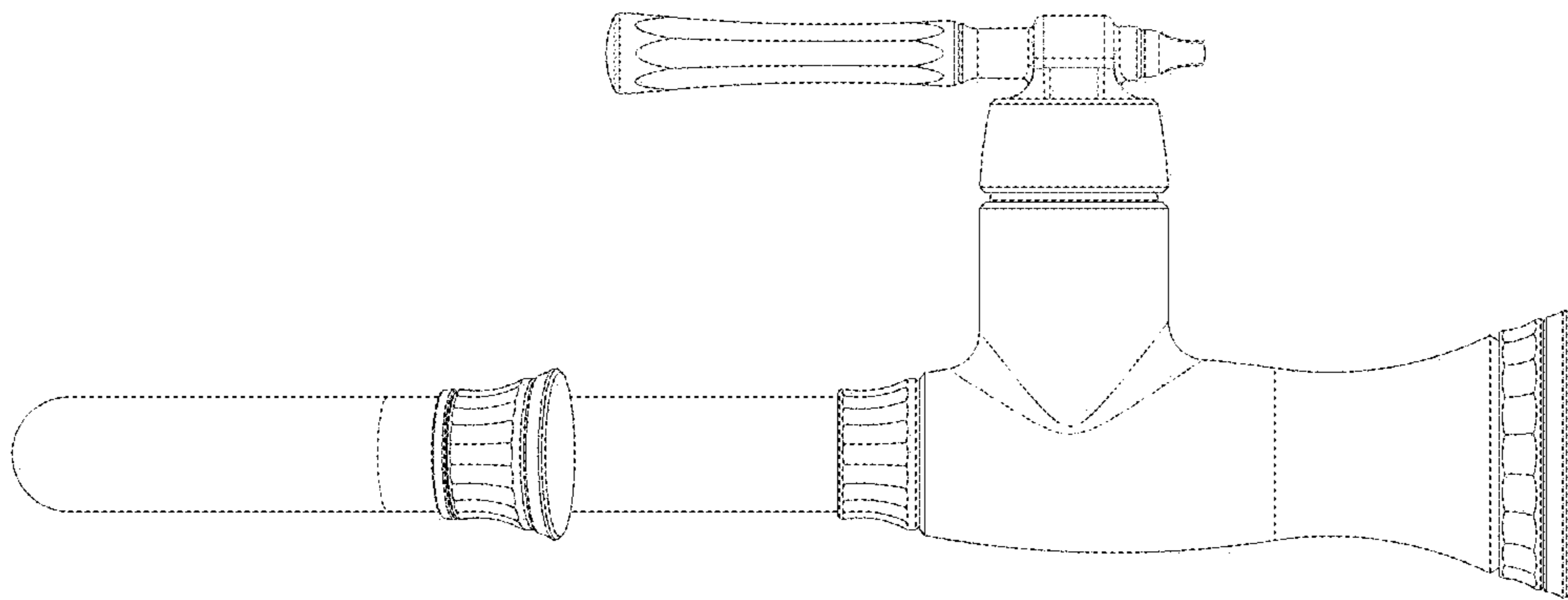


FIG - 3

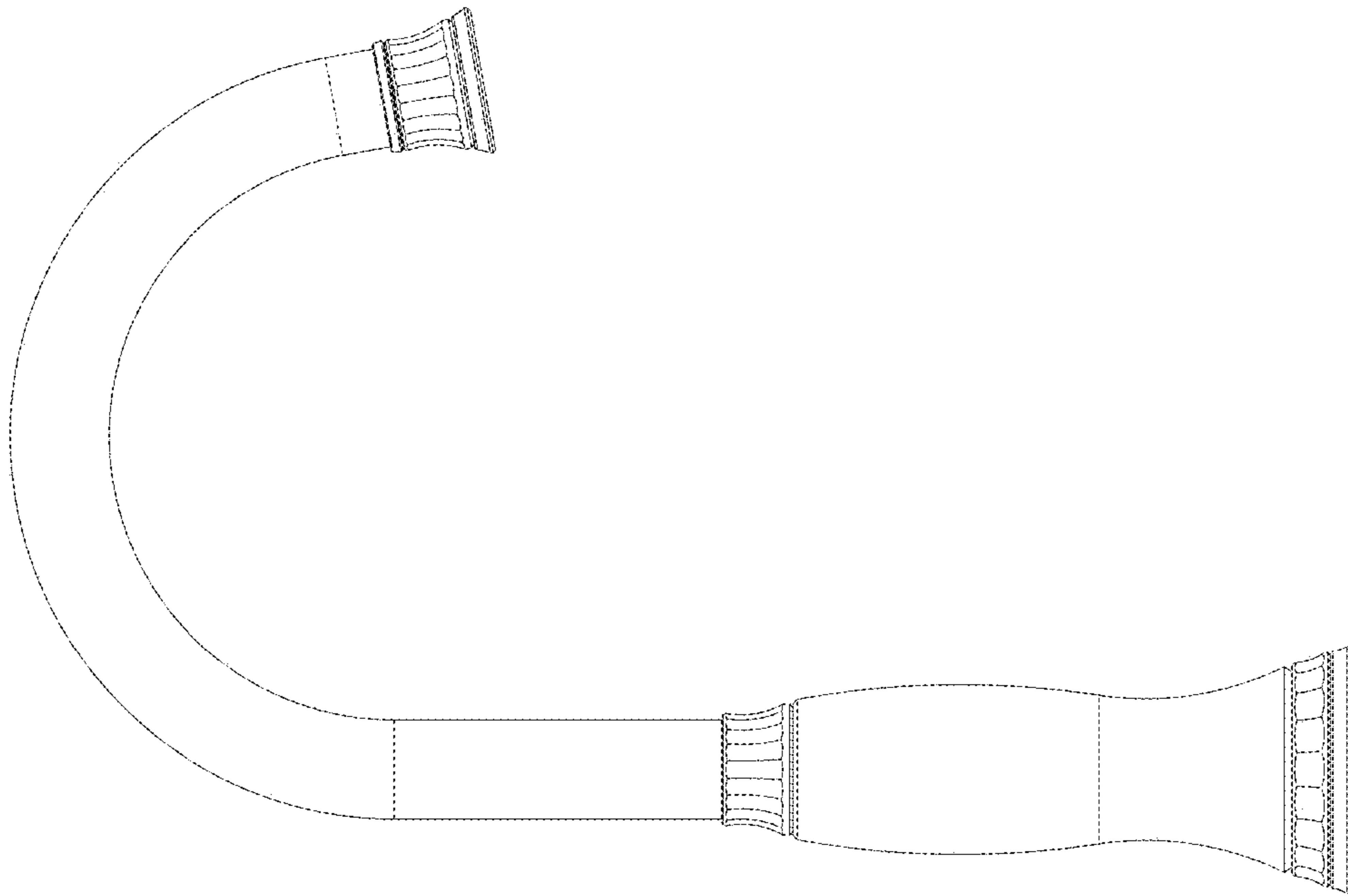


FIG - 6

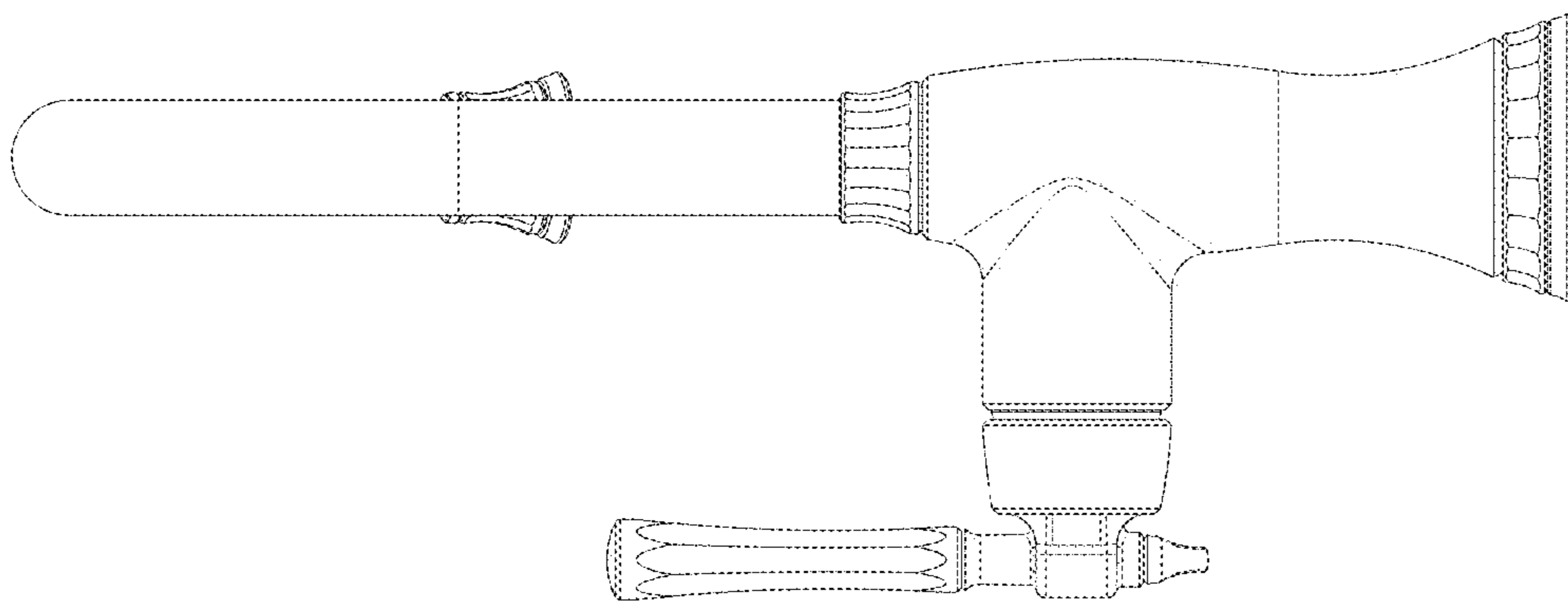


FIG - 5

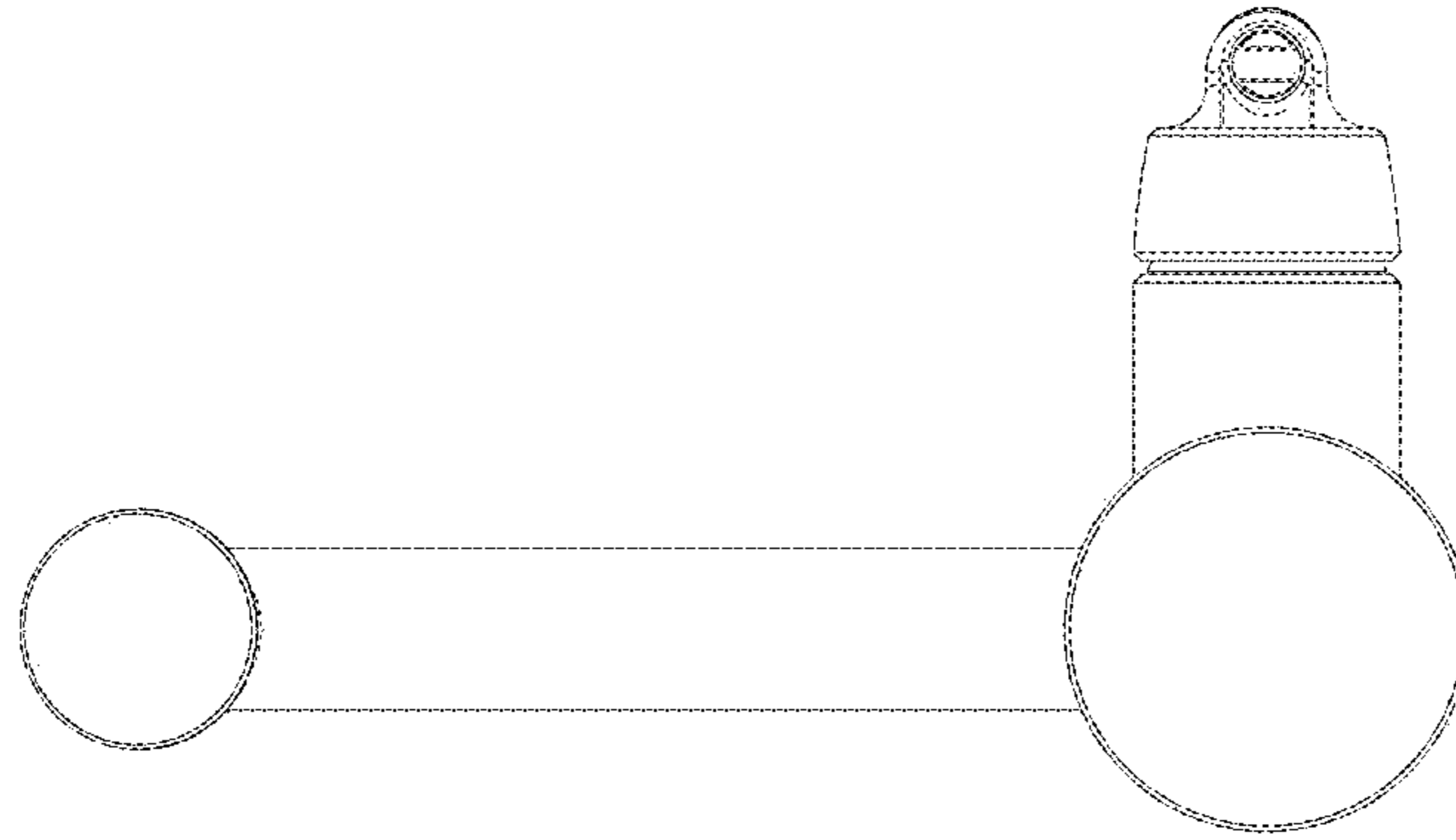


FIG - 8

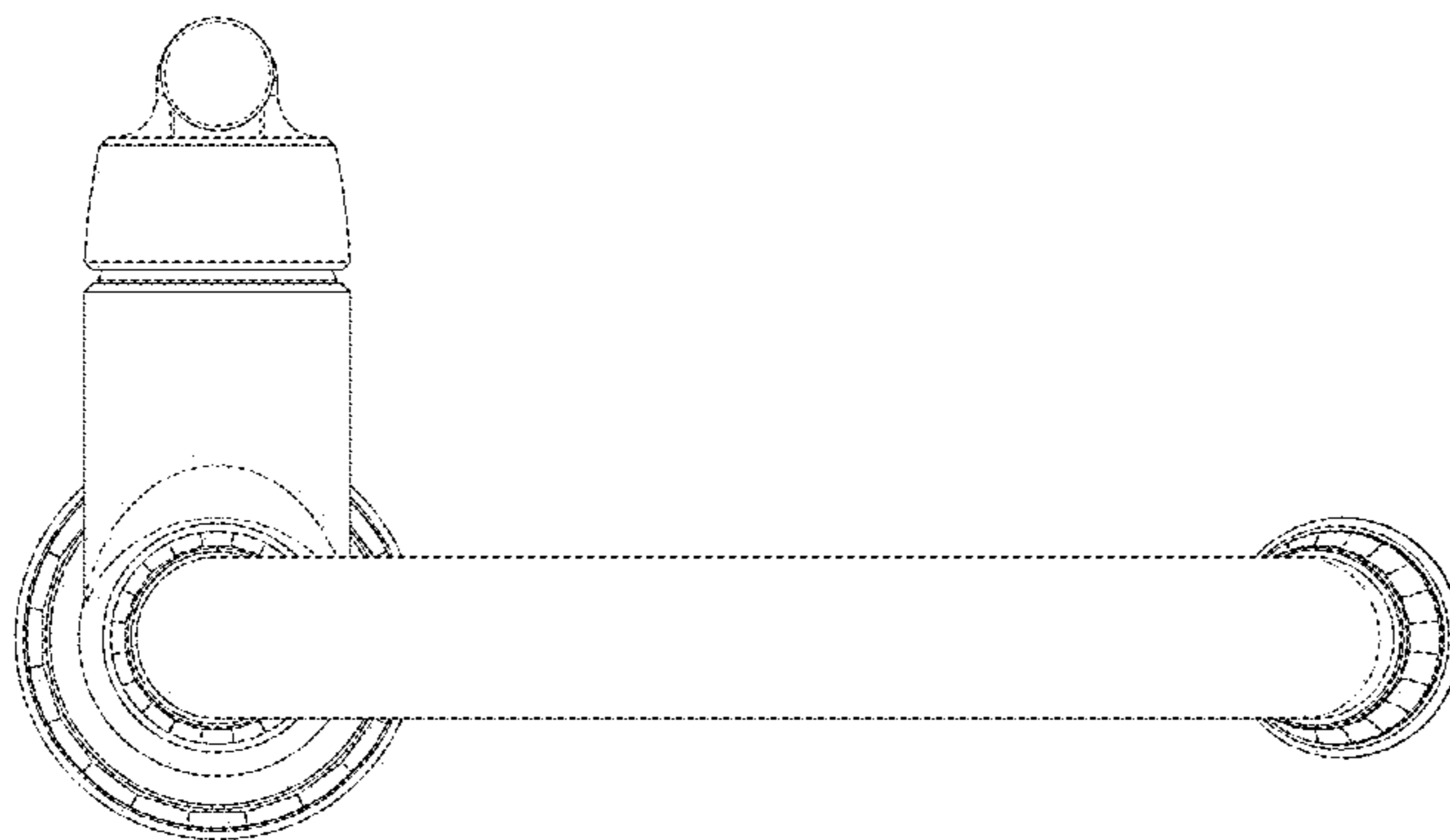


FIG - 7