

US00D954186S

(12) **United States Design Patent**
Para

(10) **Patent No.:** **US D954,186 S**
(45) **Date of Patent:** **** Jun. 7, 2022**

- (54) **FAUCET**
- (71) Applicant: **DELTA FAUCET COMPANY**,
Indianapolis, IN (US)
- (72) Inventor: **Lauren Para**, Lisle, IL (US)
- (73) Assignee: **DELTA FAUCET COMPANY**,
Indianapolis, IN (US)
- (**) Term: **15 Years**
- (21) Appl. No.: **29/733,169**
- (22) Filed: **Apr. 30, 2020**
- (51) **LOC (13) Cl.** **23-01**
- (52) **U.S. Cl.**
USPC **D23/238**
- (58) **Field of Classification Search**
USPC D23/257, 249, 254, 259, 255, 233, 234,
D23/235, 236, 237, 238, 240, 241, 242,
D23/243, 244, 245, 246, 247, 248, 250,
D23/251, 252, 253, 256
CPC E03C 1/01; E03C 1/0409; E03C 1/025;
E03C 1/0408; E03C 1/04; E03C 1/0401;
E03C 1/0402; E03C 1/0405; E03C
1/0412; Y10T 137/5339; Y10T 137/6014;
Y10T 137/6021
See application file for complete search history.

(56) **References Cited**

U.S. PATENT DOCUMENTS

- D468,398 S * 1/2003 Ziemann D23/238
- D519,190 S * 4/2006 Lord D23/238

- D534,246 S * 12/2006 Chu D23/238
- D534,622 S * 1/2007 Chu D23/238
- D534,990 S * 1/2007 Zhou D23/238
- D535,357 S * 1/2007 Zhou D23/238
- D539,870 S * 4/2007 Lammel D23/238
- D690,394 S * 9/2013 Flowers D23/242
- D846,709 S * 4/2019 Chen D23/226
- D862,654 S * 10/2019 Zeng D23/240
- 2018/0127960 A1 * 5/2018 Yuan E03C 1/0404

OTHER PUBLICATIONS

Architonic, Adams by Newport Brass, launched 2018, [online], [visited Sep. 9, 2021]. Internet, <URL: <https://www.architonic.com/en/product/newport-brass-adams/20060449>> (Year: 2018).*

* cited by examiner

Primary Examiner — Samantha Wood

(74) *Attorney, Agent, or Firm* — Nirav D. Parikh; Edgar A. Zarins

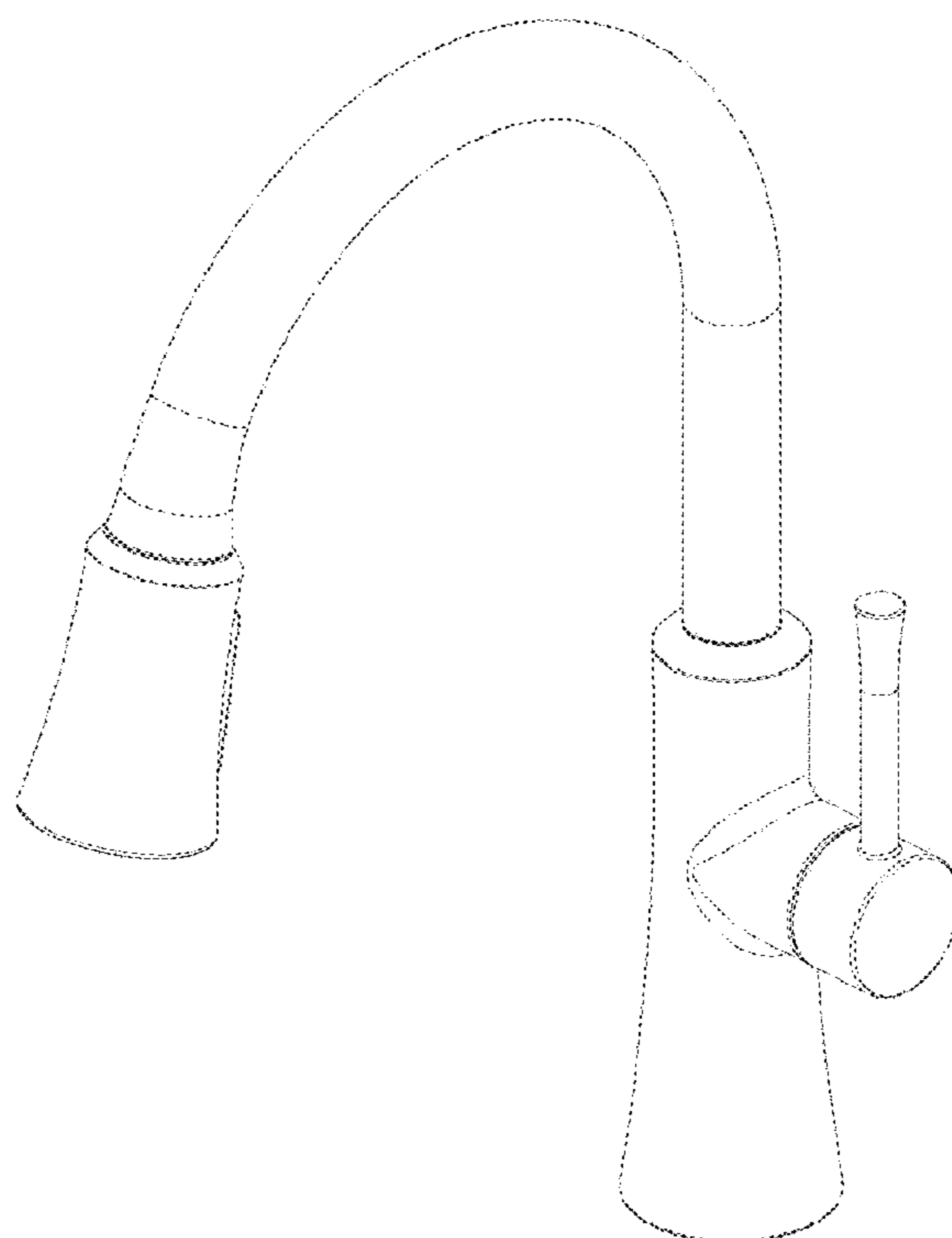
(57) **CLAIM**

The ornamental design for a faucet, as shown and described.

DESCRIPTION

FIG. 1 is a front perspective view of a faucet showing my new design;
 FIG. 2 is a rear perspective view thereof;
 FIG. 3 is a front elevational view thereof;
 FIG. 4 is a left side view thereof;
 FIG. 5 is a rear view thereof;
 FIG. 6 is a right side view thereof;
 FIG. 7 is a top plan view thereof; and,
 FIG. 8 is a bottom view thereof.

1 Claim, 4 Drawing Sheets



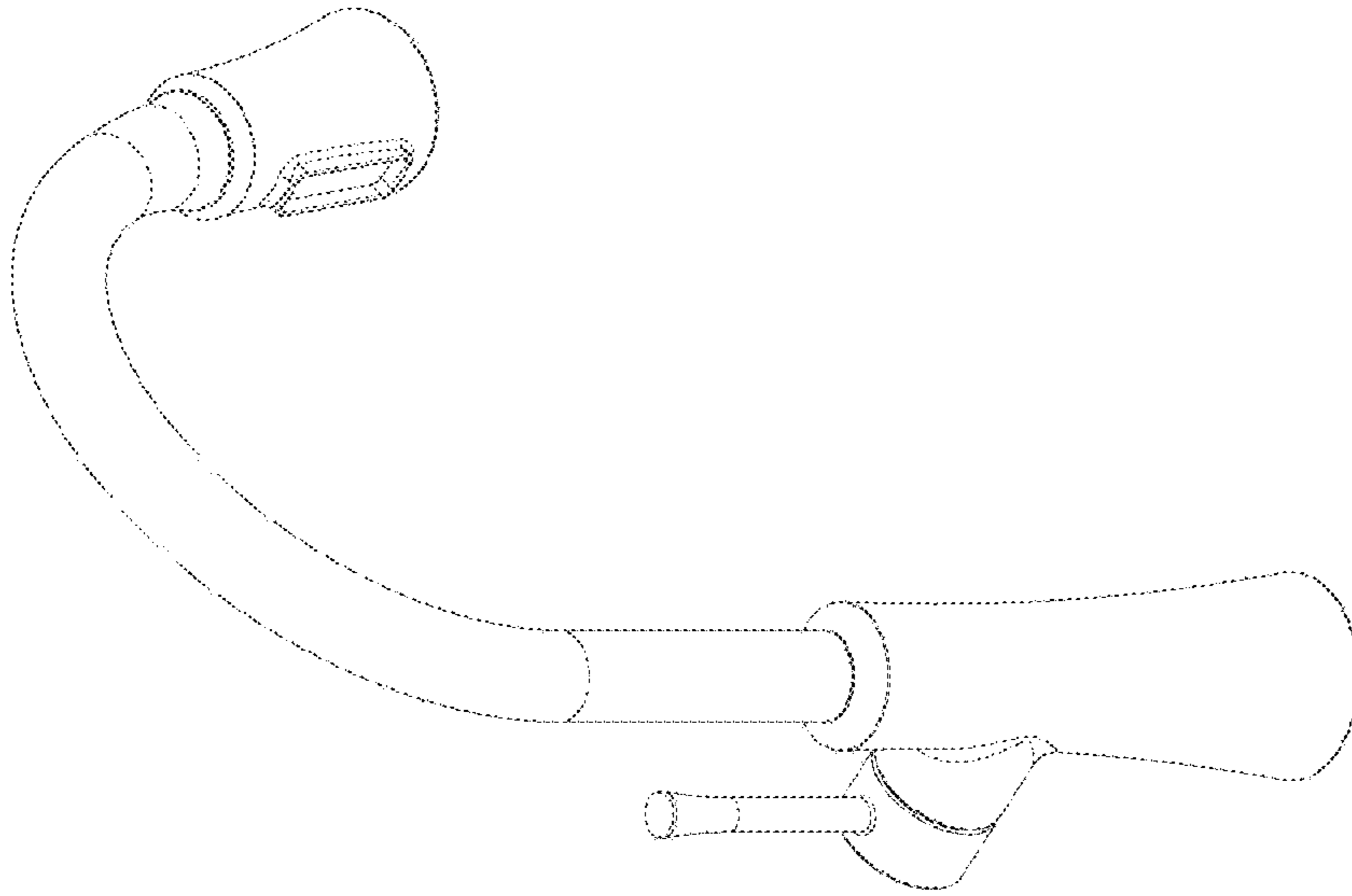


FIG. - 2

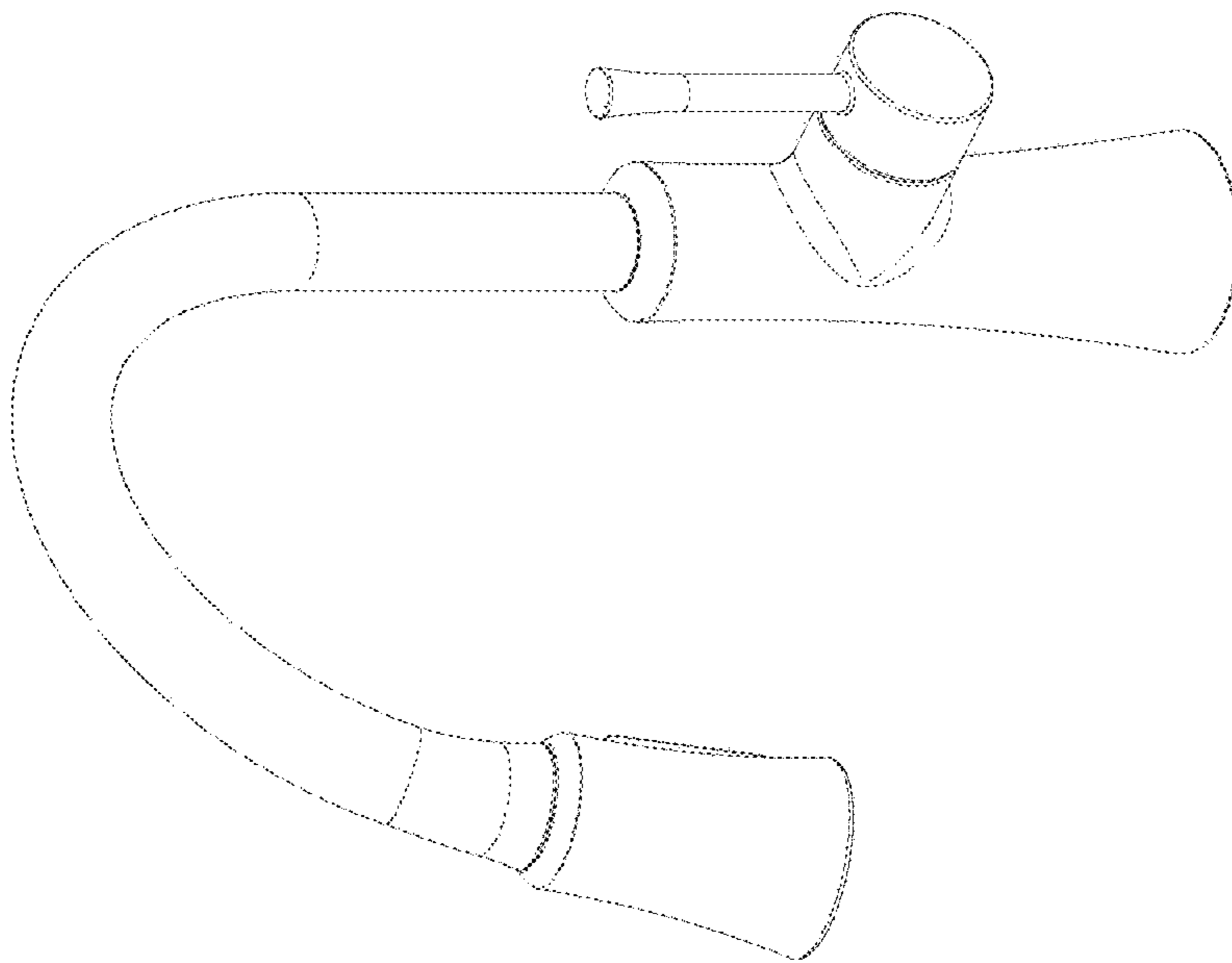


FIG. - 1

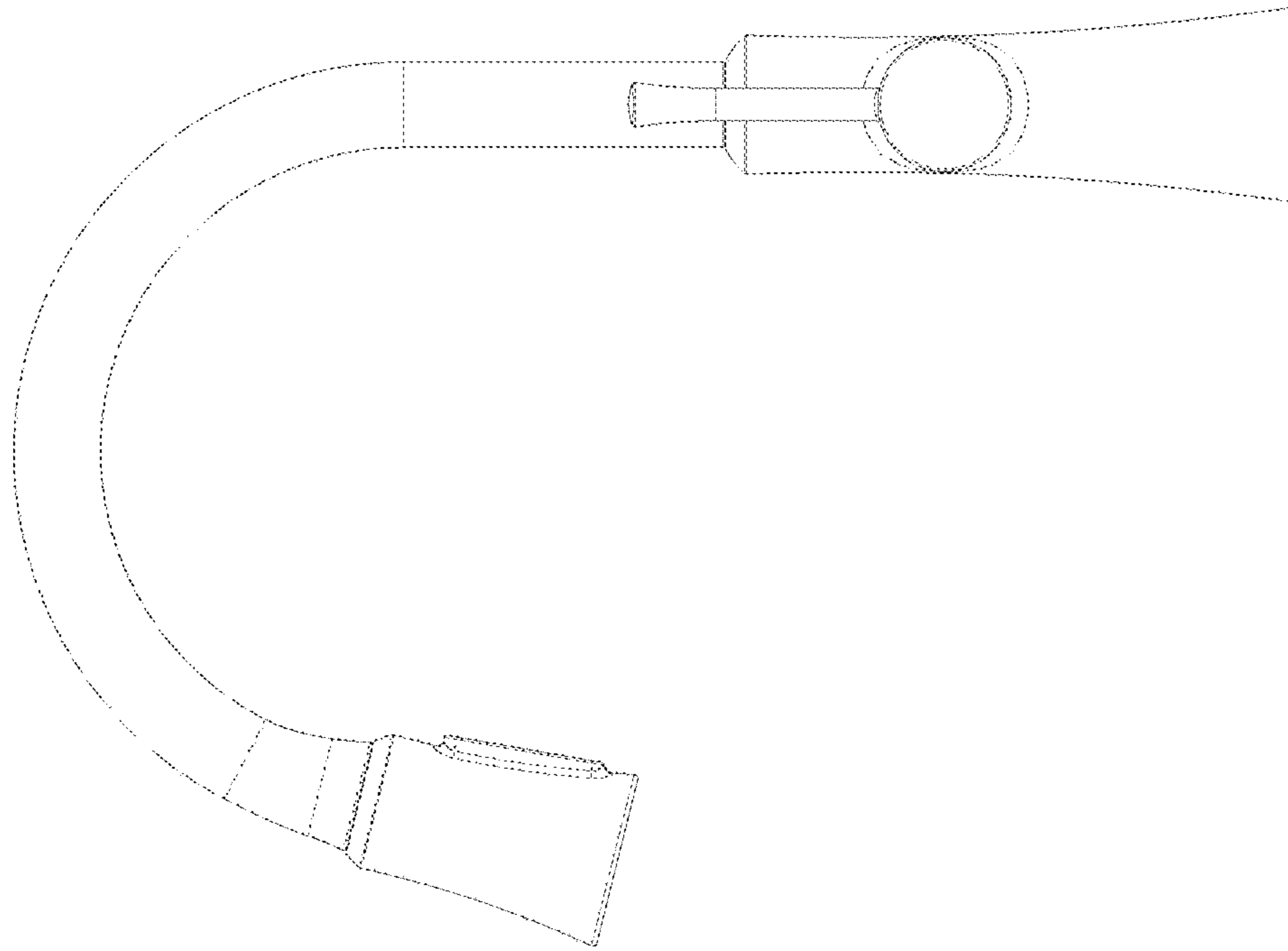


FIG. 4

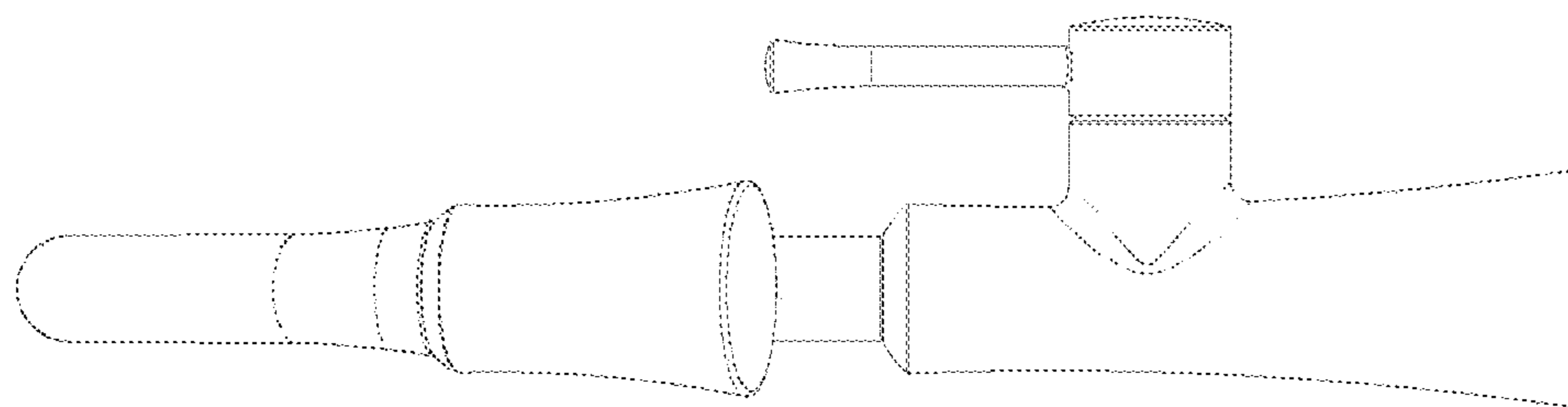


FIG. 3

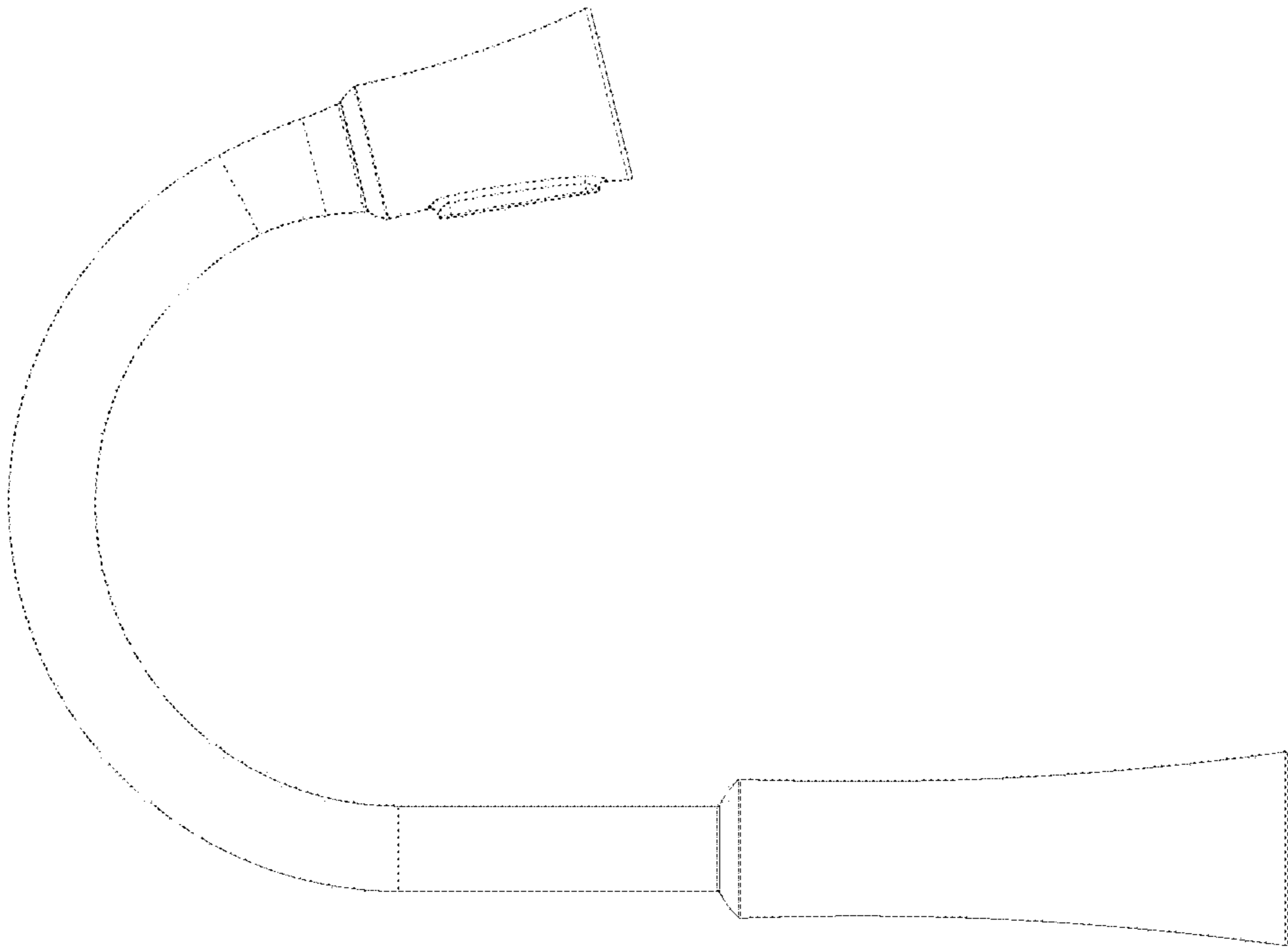


FIG. - 6

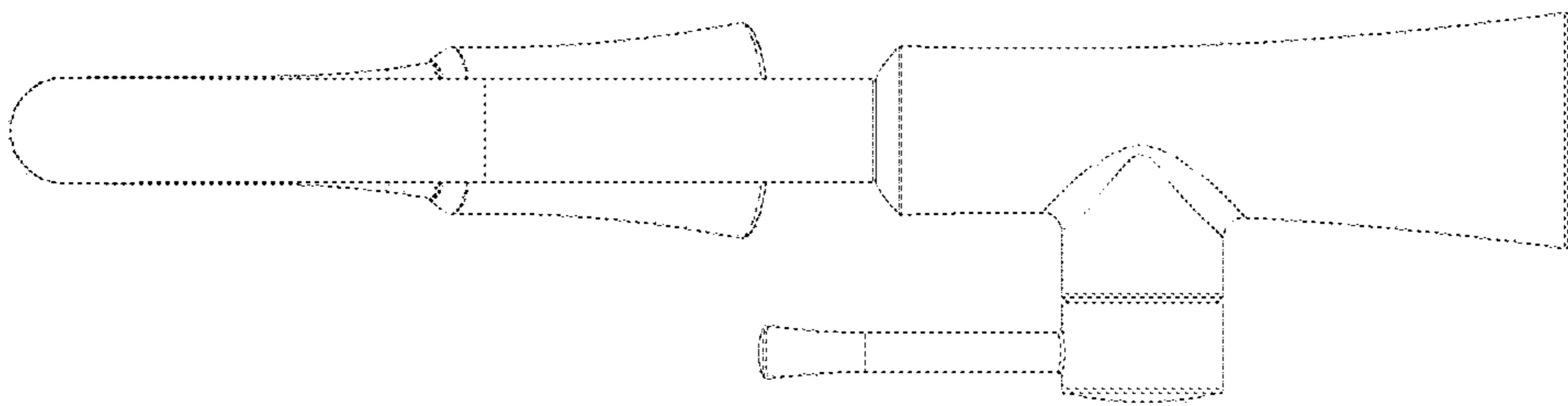


FIG. - 5

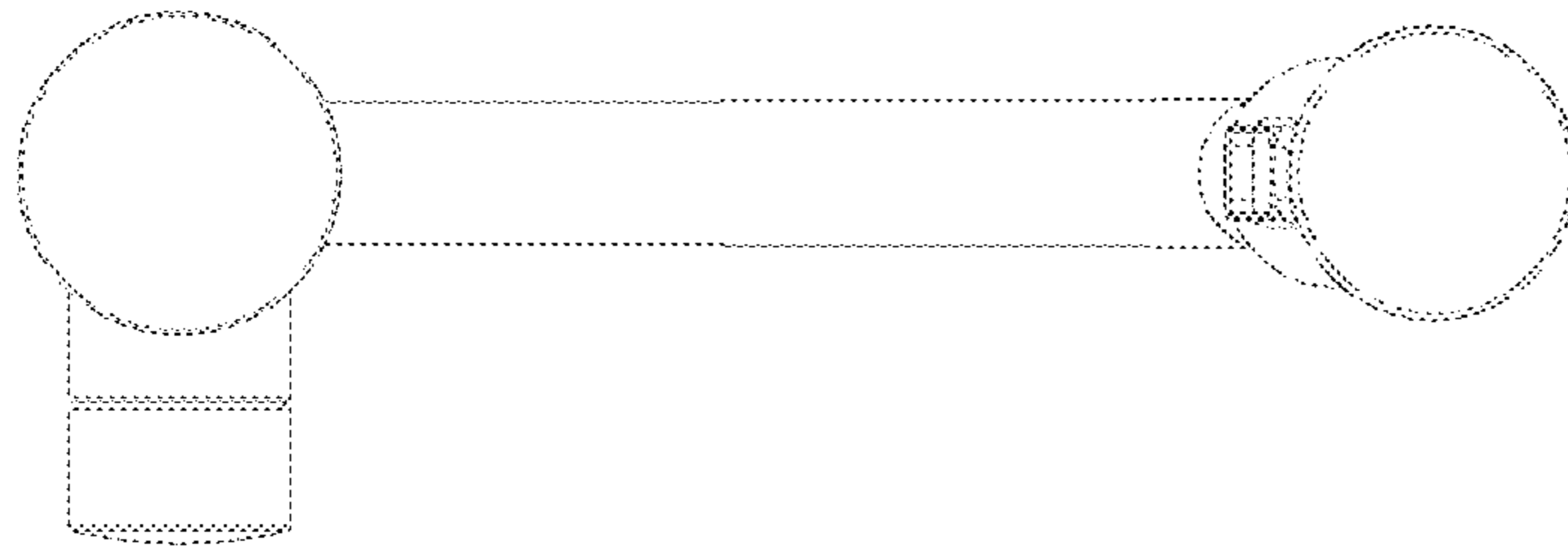


FIG. - 8



FIG. - 7