



US00D954185S

(12) **United States Design Patent** (10) **Patent No.:** **US D954,185 S**  
**Lazarini** (45) **Date of Patent:** **\*\* Jun. 7, 2022**

(54) **FAUCET**  
(71) Applicant: **DELTA FAUCET COMPANY,**  
Indianapolis, IN (US)  
(72) Inventor: **Alejandra Lazarini,** Carmel, IN (US)  
(73) Assignee: **DELTA FAUCET COMPANY,**  
Indianapolis, IN (US)  
(\*\*) Term: **15 Years**  
(21) Appl. No.: **29/732,827**  
(22) Filed: **Apr. 28, 2020**  
(51) **LOC (13) Cl.** ..... **23-01**  
(52) **U.S. Cl.**  
USPC ..... **D23/238**  
(58) **Field of Classification Search**  
USPC ..... D23/257, 249, 254, 259, 255, 233, 234,  
D23/235, 236, 237, 238, 240, 241, 242,  
D23/243, 244, 245, 246, 247, 248, 250,  
D23/251, 252, 253, 256  
CPC ..... E03C 1/01; E03C 1/0409; E03C 1/025;  
E03C 1/0408; E03C 1/04; E03C 1/0401;  
E03C 1/0402; E03C 1/0405; E03C  
1/0412; Y10T 137/5339; Y10T 137/6014;  
Y10T 137/6021  
See application file for complete search history.

(56) **References Cited**  
U.S. PATENT DOCUMENTS  
D466,977 S \* 12/2002 Cummings ..... D23/238  
D513,791 S \* 1/2006 Kosasih ..... D23/252  
D522,102 S \* 5/2006 Fritz ..... D23/252  
D572,798 S \* 7/2008 Bickler ..... D23/238  
D644,301 S \* 8/2011 Flowers ..... D23/238  
D654,568 S \* 2/2012 Yu ..... D23/238  
D666,277 S \* 8/2012 Schaefer ..... D23/252  
D684,666 S \* 6/2013 Lord ..... D23/238  
D694,366 S \* 11/2013 Hahn ..... D23/238  
D767,724 S \* 9/2016 Flowers ..... D23/238

D787,645 S \* 5/2017 Kirar ..... D23/257  
D800,269 S \* 10/2017 Garland ..... D23/252  
D802,101 S \* 11/2017 Kirar ..... D23/257  
D803,359 S \* 11/2017 Schoenherr ..... D23/242  
D823,987 S \* 7/2018 Downey ..... D23/238  
D828,908 S \* 9/2018 Merki ..... D23/238  
D832,404 S \* 10/2018 Thakur ..... D23/255  
D840,506 S \* 2/2019 Garland ..... D23/238  
(Continued)

**FOREIGN PATENT DOCUMENTS**

CN 201030254749 \* 7/2010  
CN 201030296799 \* 8/2010

**OTHER PUBLICATIONS**

Amazon, Gappo Monobloc Basin Mixer Tap, posted May 19, 2019, [online], [visited Aug. 28, 2021]. Internet, <URL: https://www.amazon.co.uk/GAPPO-Monobloc-Stainless-Single-Bathroom/dp/B07S3RY8FB/ref> (Year: 2019).\*  
(Continued)

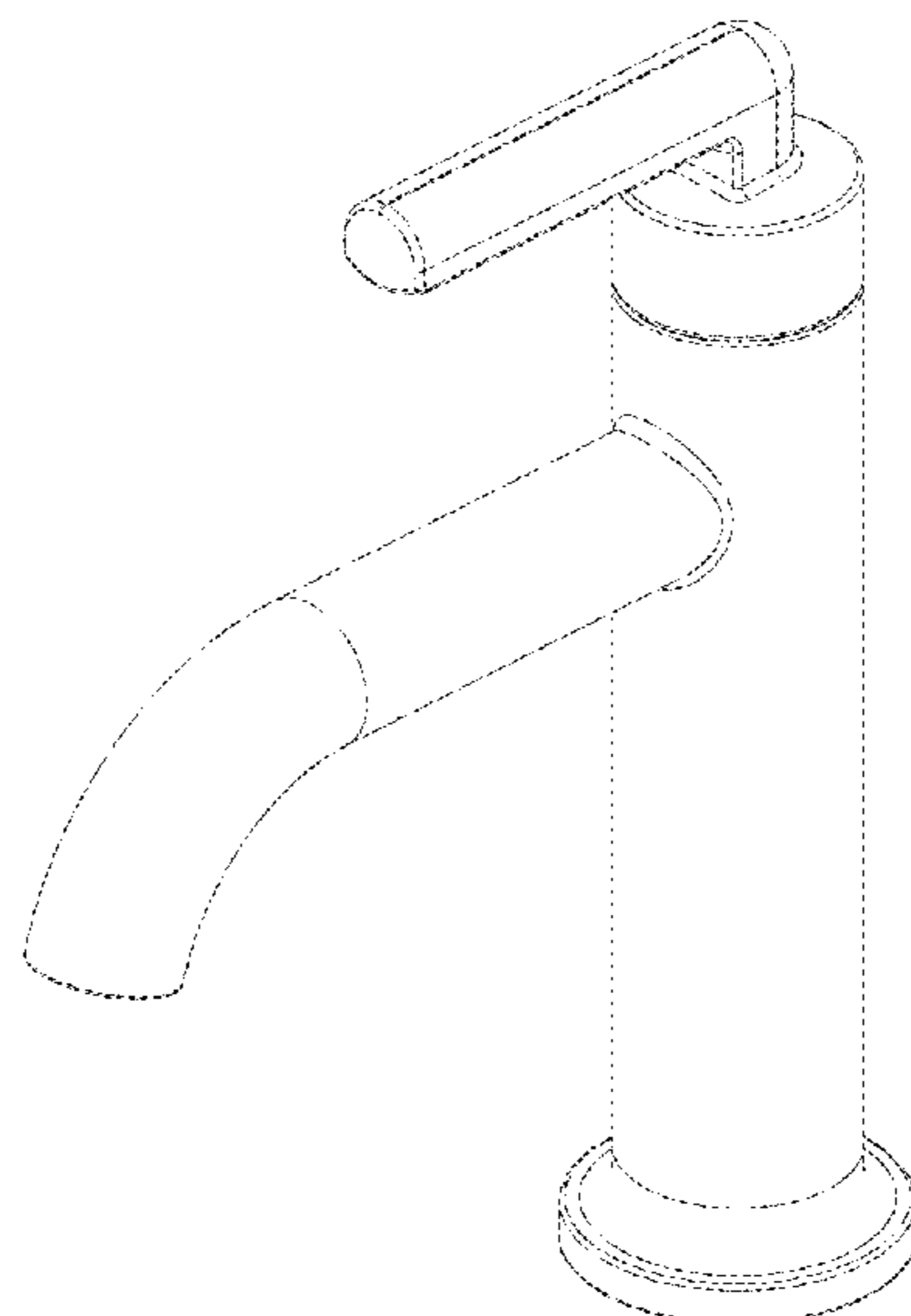
*Primary Examiner* — Samantha Wood  
(74) *Attorney, Agent, or Firm* — Nirav D. Parikh; Edgar A. Zarins

(57) **CLAIM**  
The ornamental design for a faucet, as shown and described.

**DESCRIPTION**

FIG. 1 is a front perspective view of a faucet showing my new design;  
FIG. 2 is a rear perspective view thereof;  
FIG. 3 is a front elevational view thereof;  
FIG. 4 is a left side view thereof;  
FIG. 5 is a rear view thereof;  
FIG. 6 is a right side view thereof;  
FIG. 7 is a top plan view thereof; and  
FIG. 8 is a bottom view thereof.

**1 Claim, 4 Drawing Sheets**



(56)

**References Cited**

U.S. PATENT DOCUMENTS

D855,762 S \* 8/2019 Stuart ..... D23/238  
D862,649 S \* 10/2019 Meyers ..... D23/238  
D869,613 S \* 12/2019 Garland ..... D23/242  
2014/0224362 A1 \* 8/2014 Shih ..... E03C 1/0404  
137/625.4

OTHER PUBLICATIONS

Amazon, Hapilife Bathroom Sink Single Lever, posted Sep. 18, 2013, [online], [visited Aug. 28, 2021]. Internet, <URL: <https://www.amazon.co.uk/Hapilife-Bathroom-Washroom-Single-Chrome/dp/B00F9Q7DU0/ref>> (Year: 2013).\*

Amazon, Funime Basin Taps Single Lever, posted Sep. 16, 2017, [online], [visited Aug. 28, 2021]. Internet, <URL: <https://www.amazon.co.uk/Funime-Single-Bathroom-Standard-Fittings/dp/B075YRVMVZ/ref>> (Year: 2017).\*

\* cited by examiner

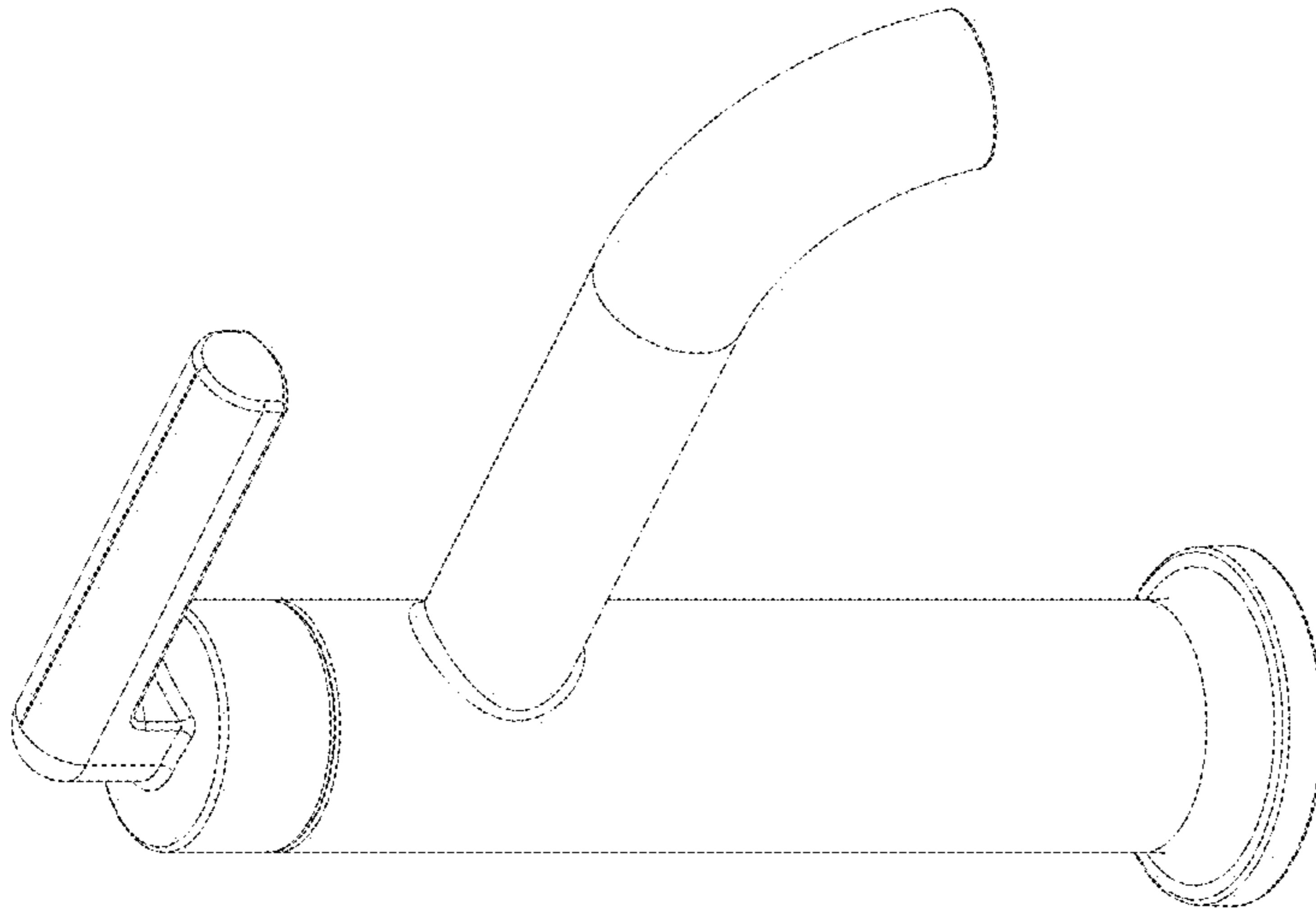


FIG-2

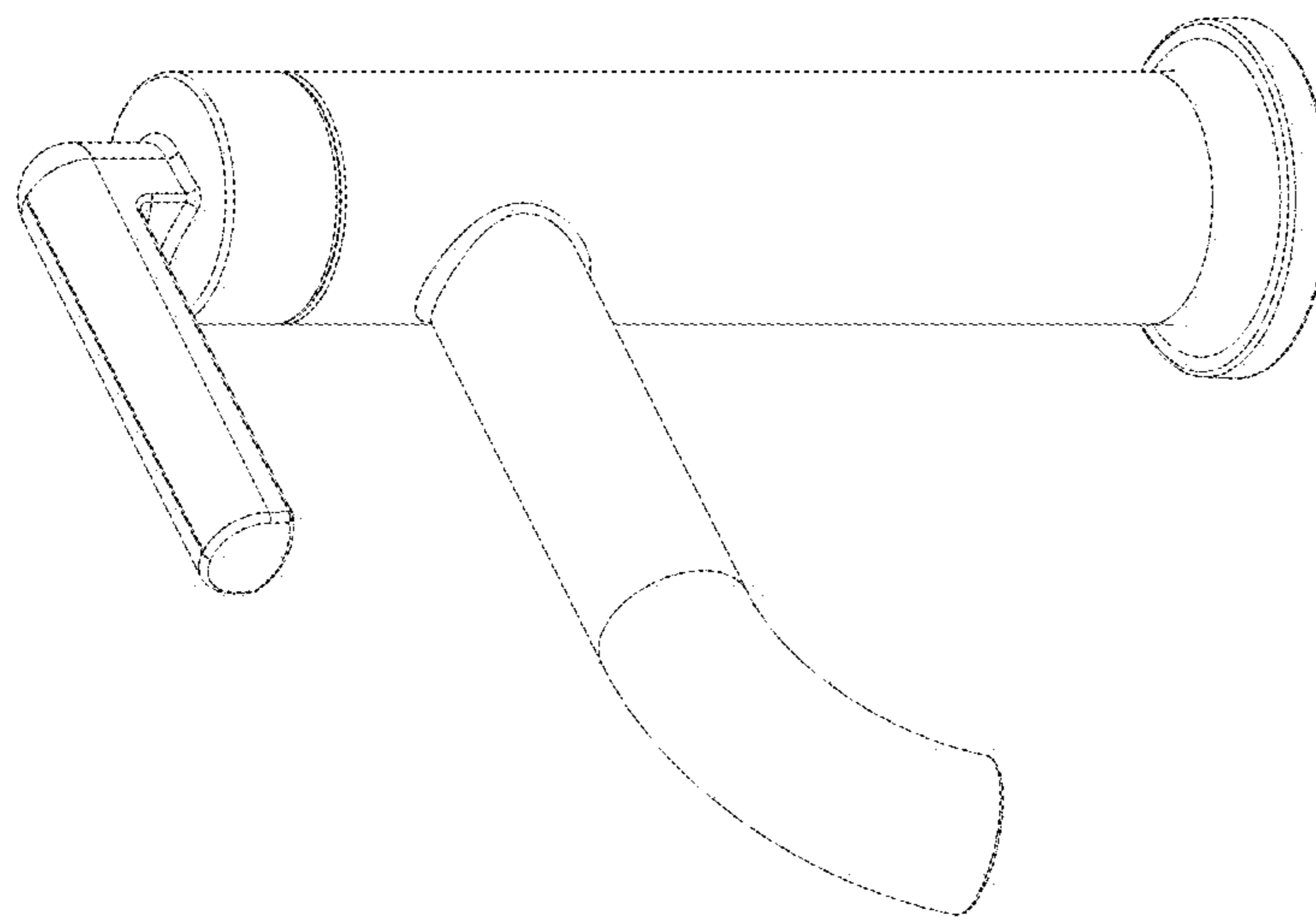


FIG-1

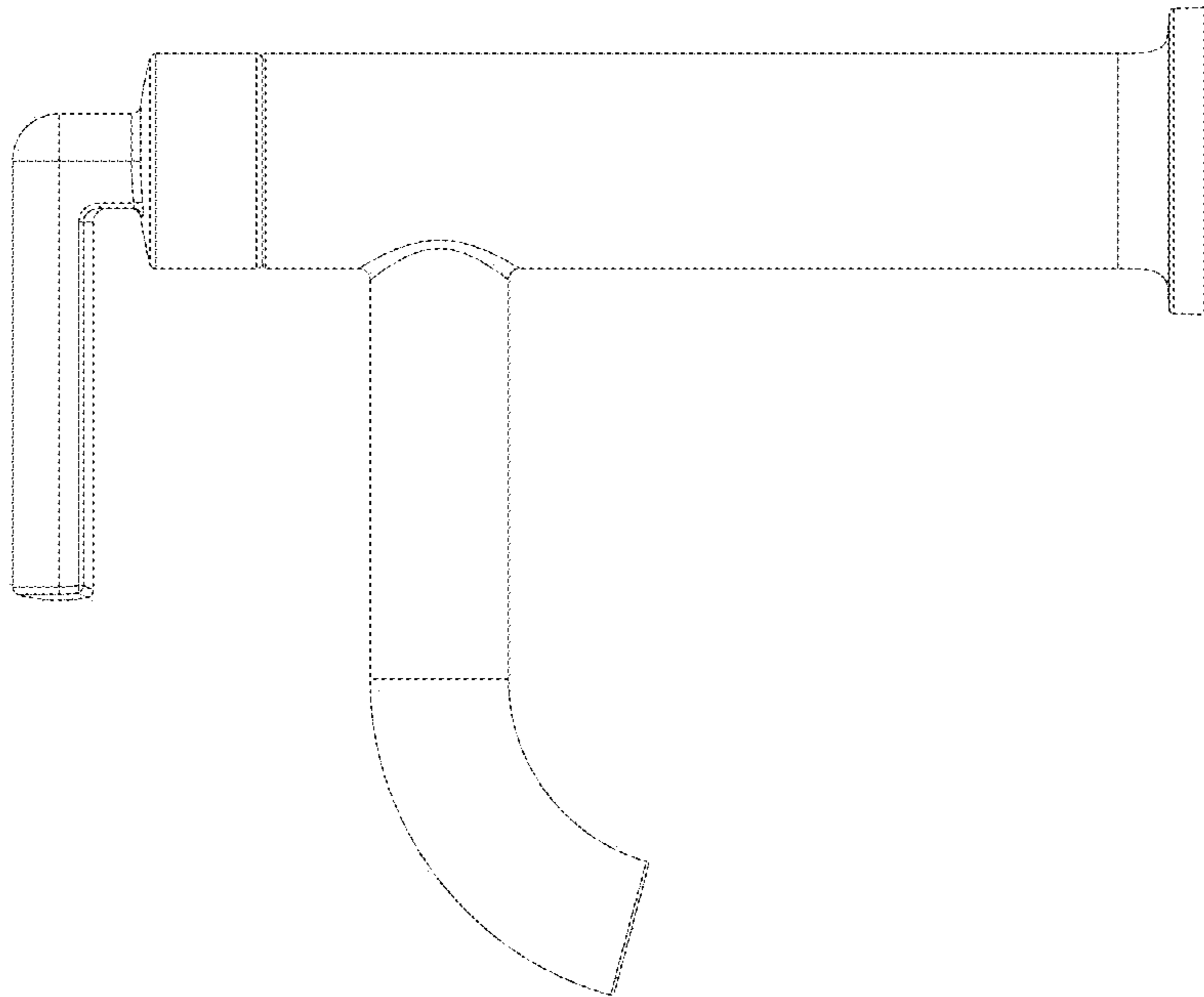


FIG-4

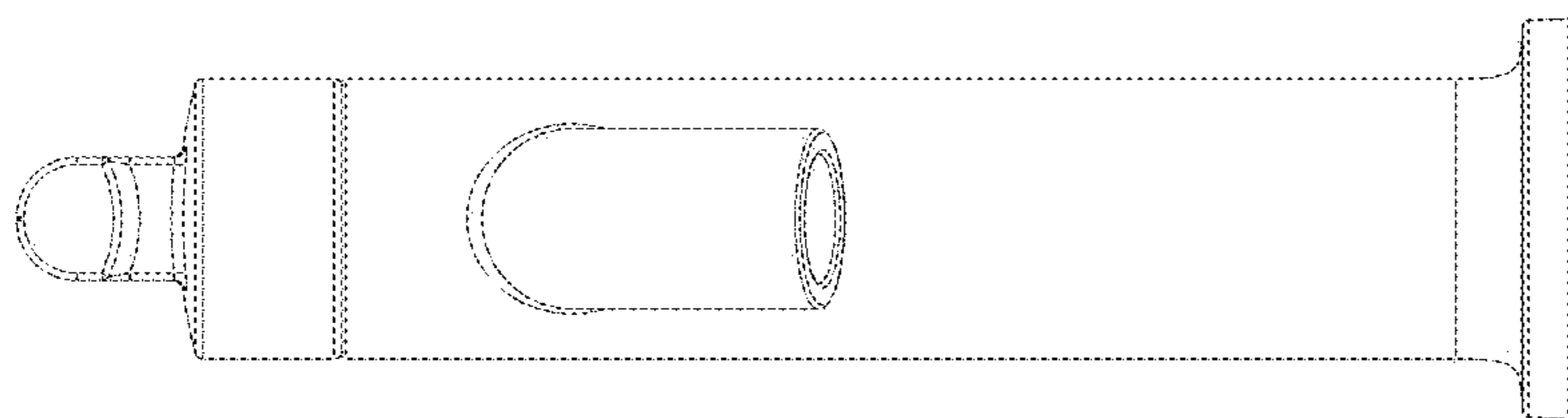


FIG-3

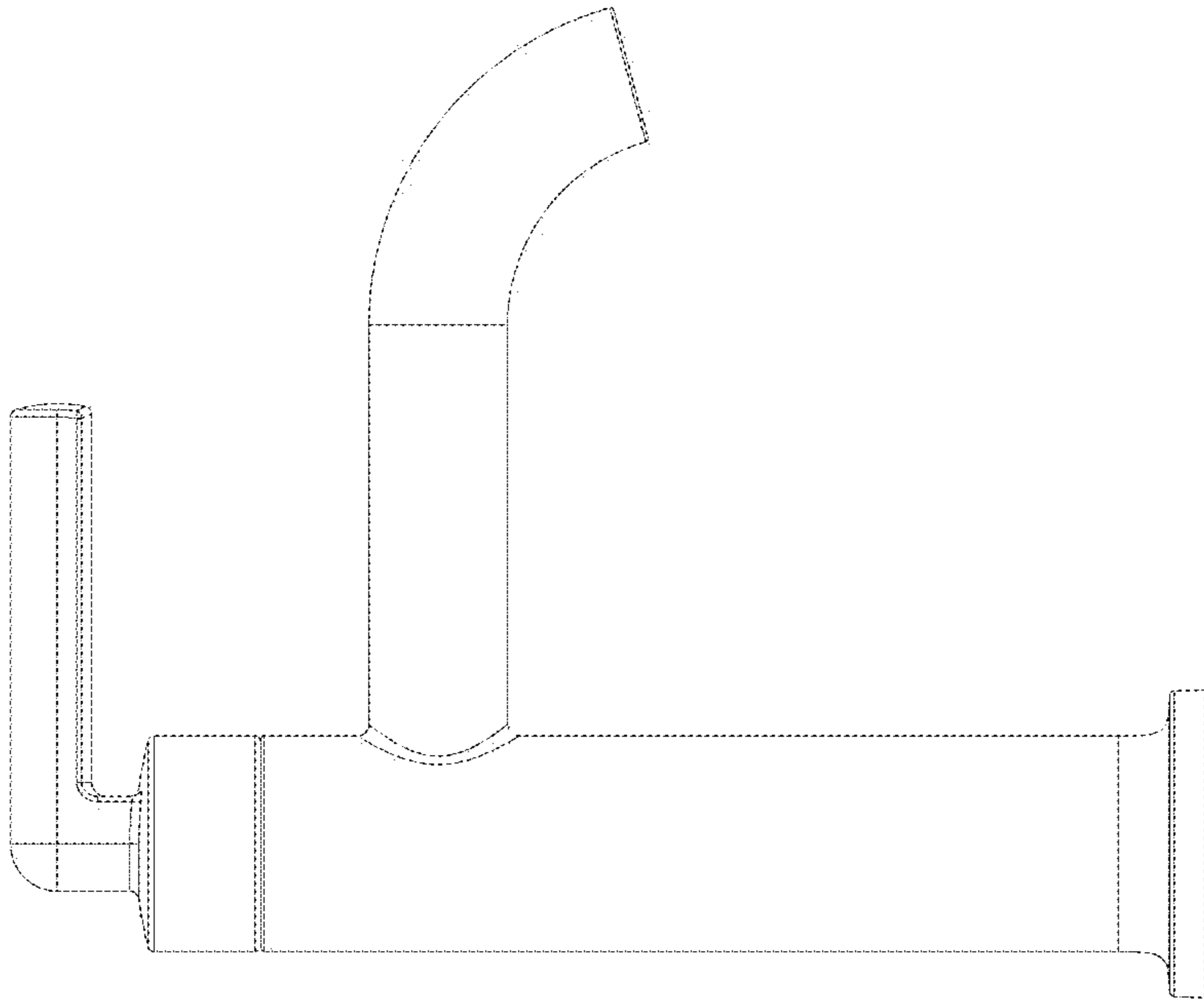


FIG-6

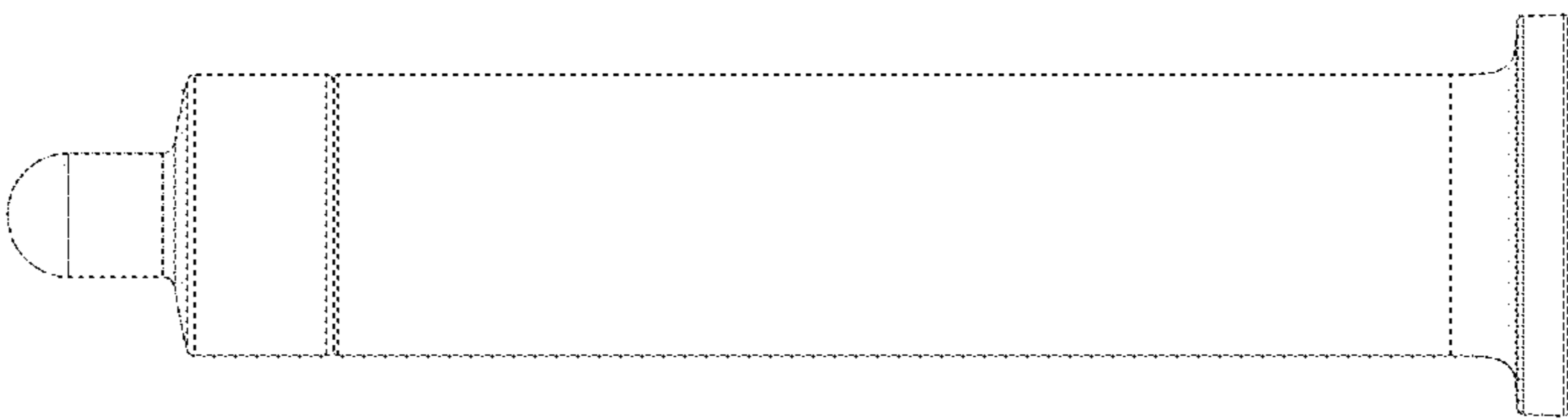


FIG-5



FIG-8

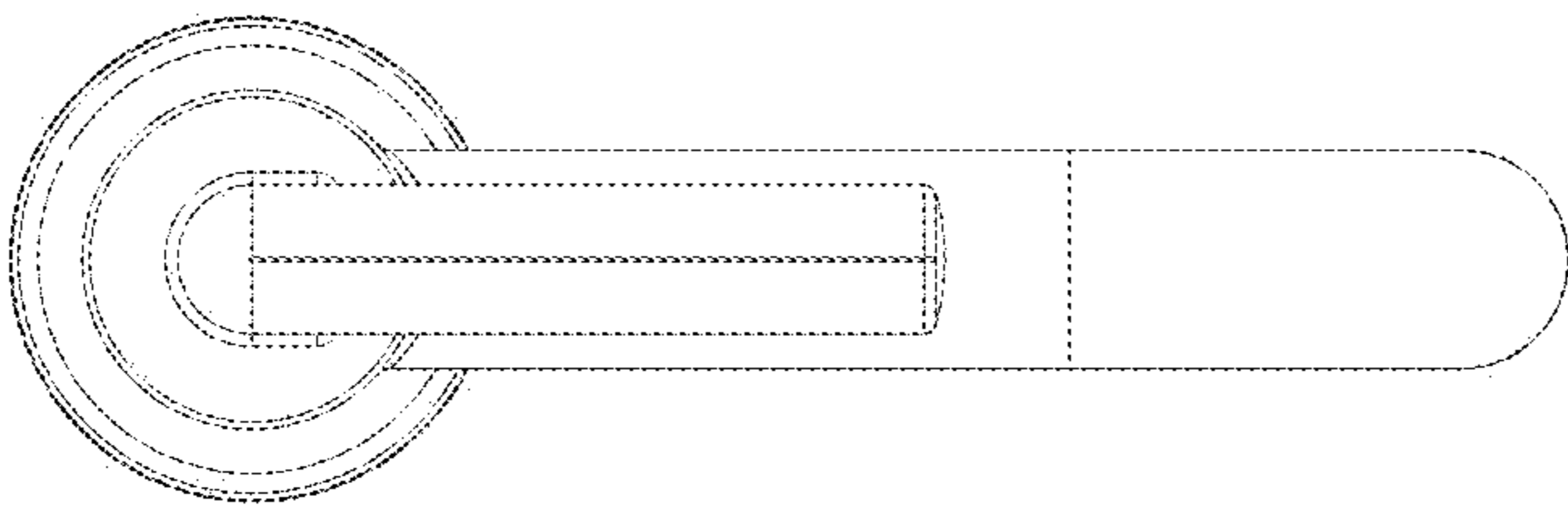


FIG-7