



US00D954182S

(12) **United States Design Patent** (10) **Patent No.:** **US D954,182 S**
Xu (45) **Date of Patent:** **** Jun. 7, 2022**

(54) **FAUCET**
(71) Applicant: **Foshan Aidi Furniture Co., Ltd.,**
Foshan (CN)
(72) Inventor: **Wenjie Xu, Foshan (CN)**
(**) Term: **15 Years**
(21) Appl. No.: **29/731,040**

D683,822 S * 6/2013 Kwok D23/238
D842,429 S * 3/2019 Huang D23/213
D865,131 S * 10/2019 Eads D23/252
D870,851 S * 12/2019 Tentler D23/238
D921,843 S * 6/2021 Eads D23/238

FOREIGN PATENT DOCUMENTS

CN 201430020462 * 1/2014
CN 201730231351 * 6/2017
CN 201830329603.5 * 6/2018

(22) Filed: **Apr. 10, 2020**
(51) **LOC (13) Cl.** **23-01**
(52) **U.S. Cl.**
USPC **D23/238**
(58) **Field of Classification Search**
USPC D23/257, 249, 254, 259, 255, 233, 234,
D23/235, 236, 237, 238, 240, 241, 242,
D23/243, 244, 245, 246, 247, 248, 250,
D23/251, 252, 253, 256
CPC E03C 1/01; E03C 1/0409; E03C 1/025;
E03C 1/0408; E03C 1/04; E03C 1/0401;
E03C 1/0402; E03C 1/0405; E03C
1/0412; Y10T 137/5339; Y10T 137/6014;
Y10T 137/6021
See application file for complete search history.

OTHER PUBLICATIONS

Amazon, Sarlai Kitchen Mixer Tap, posted May 4, 2019, [online],
[visited Sep. 20, 2021]. Internet, <URL: <https://www.amazon.co.uk/Sarlai-Single-Kitchen-Brushed-Mounted/dp/B07RGF9R38/ref>>
(Year: 2019).*
Amazon, Garosa Store Mixer Tap Antique Retro Solid, posted Dec.
29, 2018, [online], [visited Sep. 20, 2018]. Internet, <URL: <https://www.amazon.co.uk/Antique-Faucet-Washbasin-Kitchen-Bathroom/dp/B07MP38X16/ref>> (Year: 2018).*

* cited by examiner

Primary Examiner — Samantha Wood
(74) *Attorney, Agent, or Firm* — RC Trademark Company

(57) **CLAIM**

The ornamental design for a faucet, as shown and described.

(56) **References Cited**

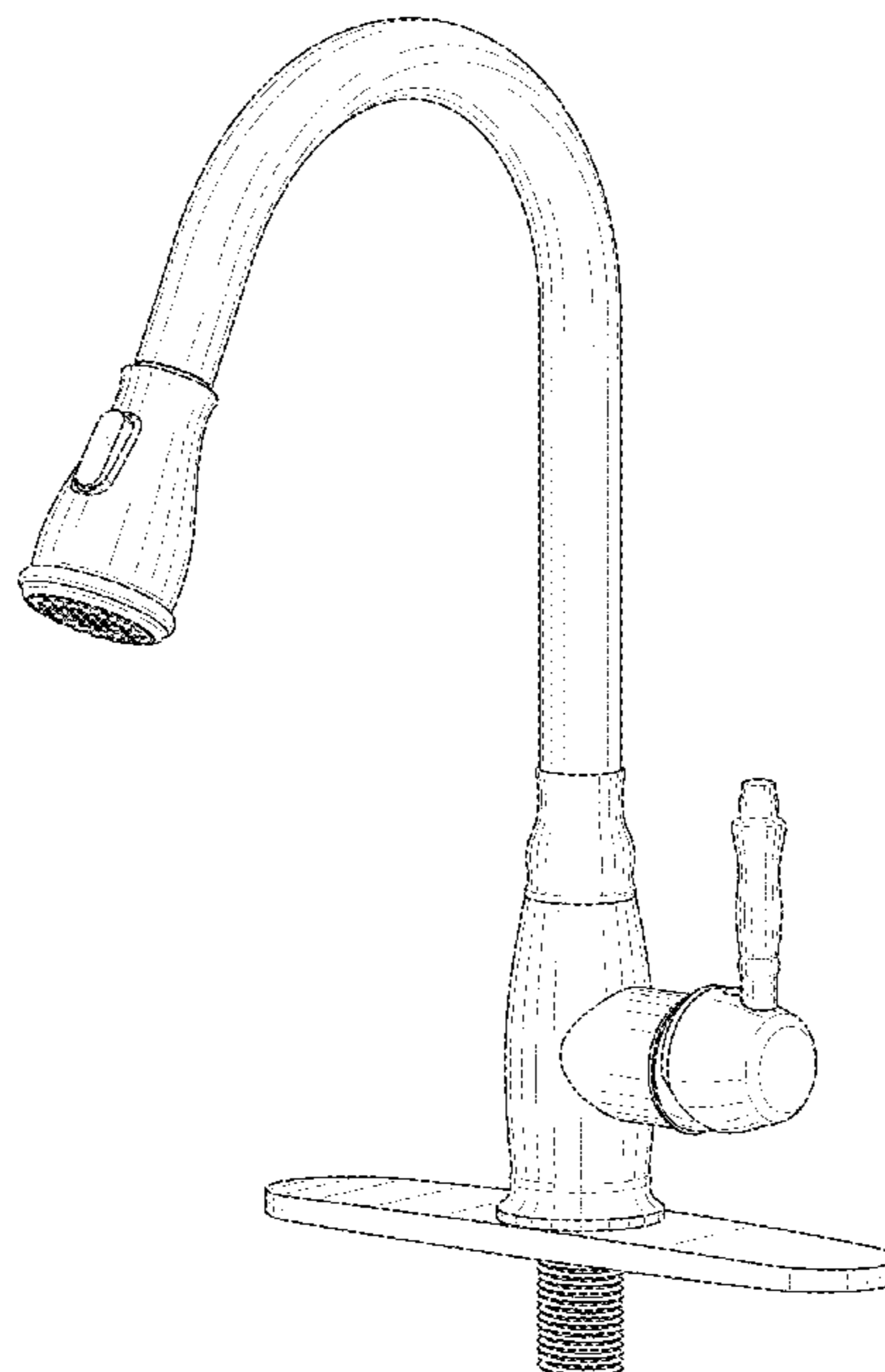
U.S. PATENT DOCUMENTS

D390,921 S * 2/1998 Steffes D23/250
D412,025 S * 7/1999 Mark D23/238
D534,246 S * 12/2006 Chu D23/238
D544,945 S * 6/2007 Wood D23/238
D550,330 S * 9/2007 Mullenmeister D23/238
D611,124 S * 3/2010 Schoenherr D23/238
D632,365 S * 2/2011 Choi D23/238
D664,244 S * 7/2012 Flowers D23/257
D674,053 S * 1/2013 Kwok D23/252
D674,882 S * 1/2013 Kwok D23/252

DESCRIPTION

FIG. 1 is a perspective view of a faucet.
FIG. 2 is a front view of the faucet of FIG. 1.
FIG. 3 is a rear view of the faucet of FIG. 1.
FIG. 4. is right side view of the faucet of FIG. 1.
FIG. 5 is a left side view of the faucet of FIG. 1.
FIG. 6 is a top view of the faucet of FIG. 1; and,
FIG. 7 is a bottom view of the faucet of FIG. 1.

1 Claim, 7 Drawing Sheets



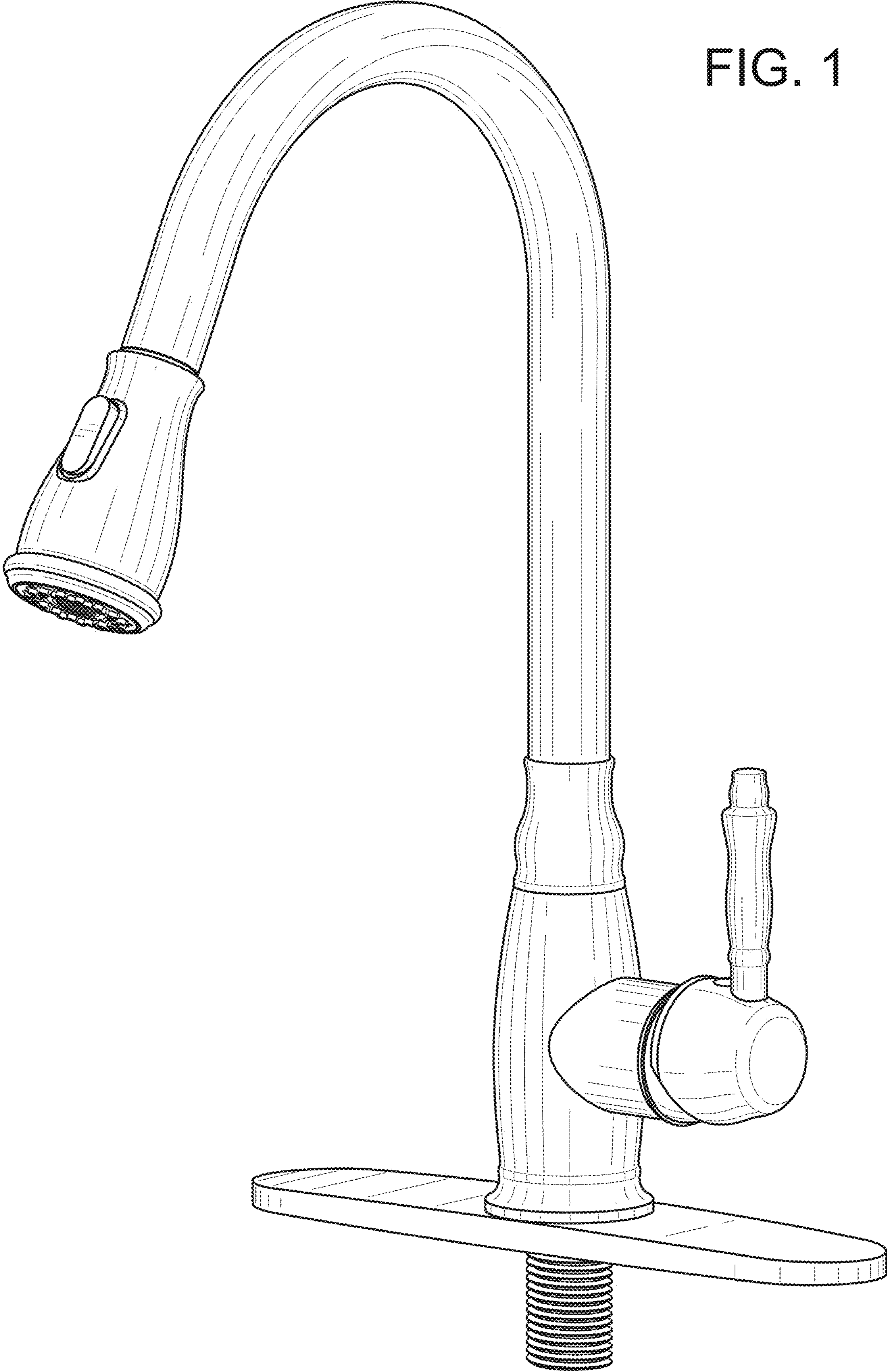


FIG. 1

FIG. 2

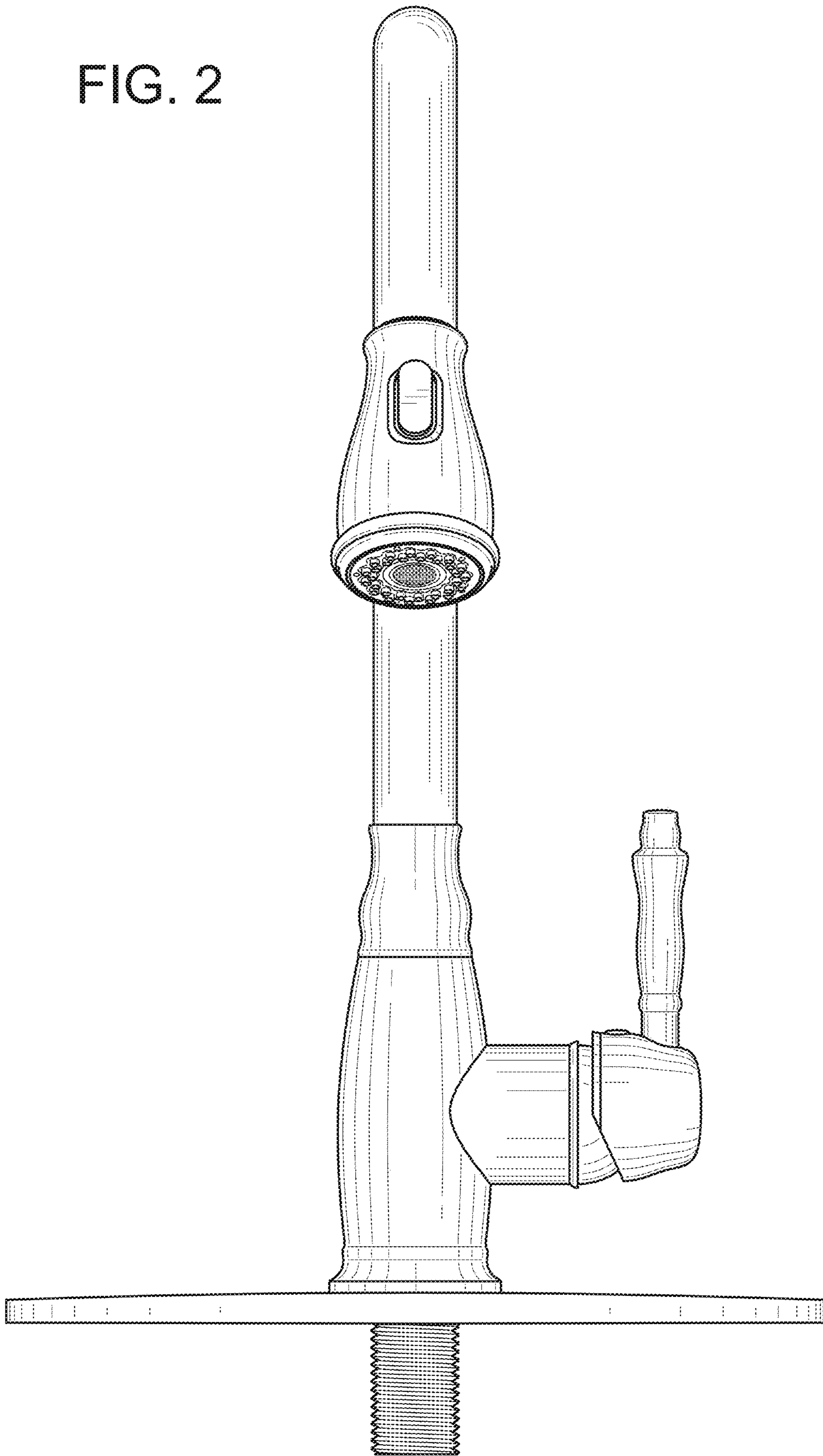
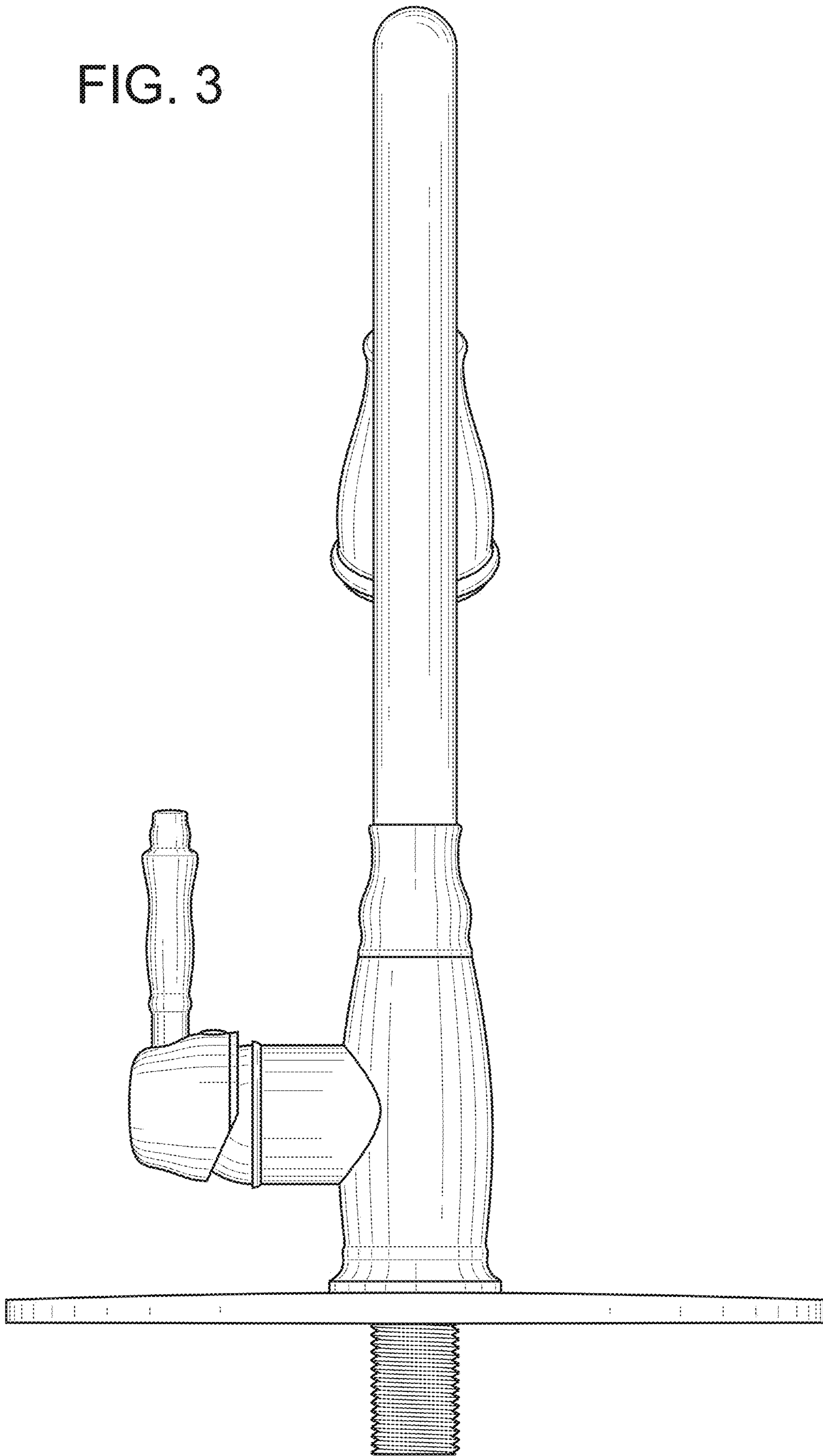


FIG. 3



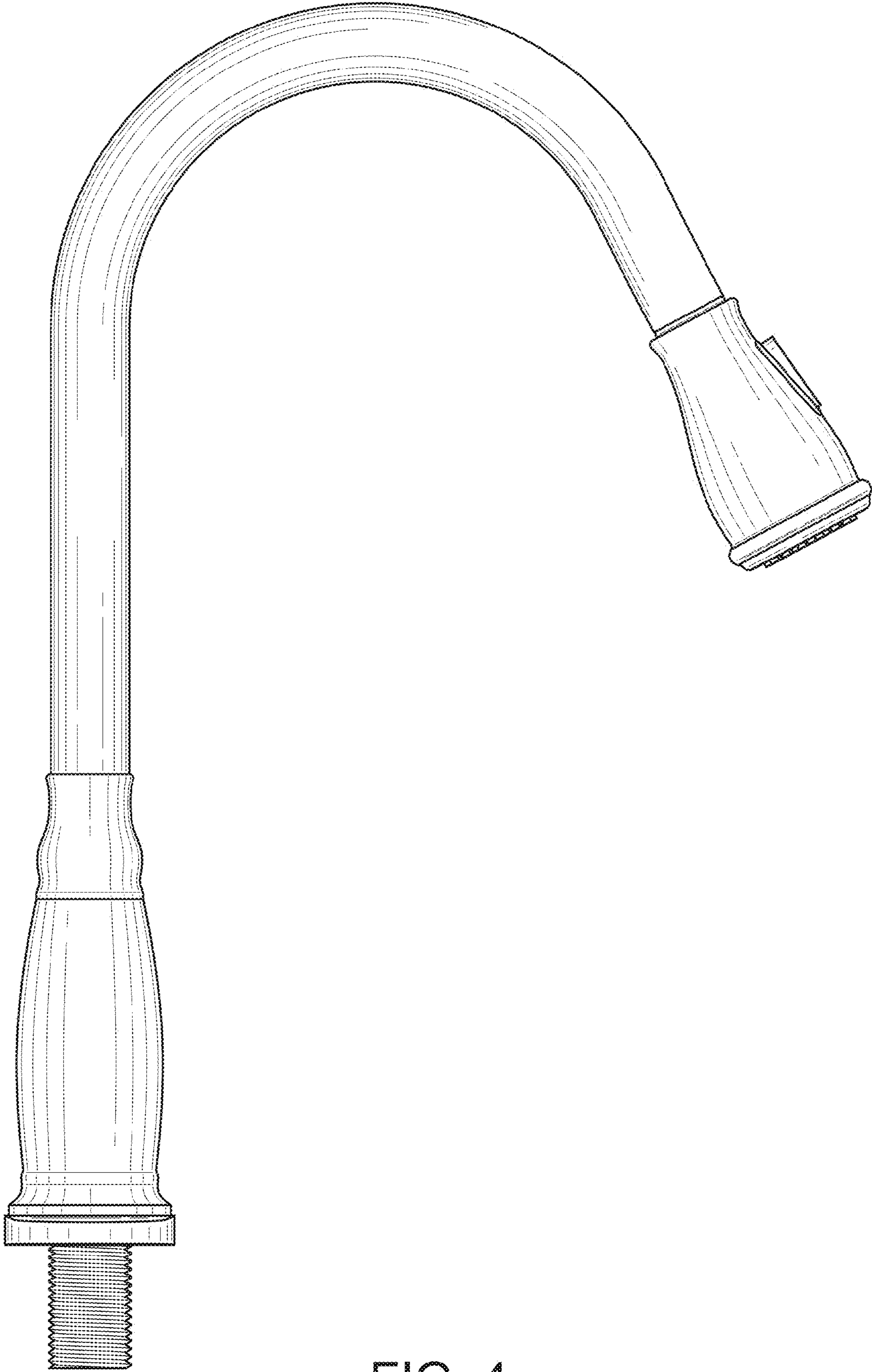


FIG. 4

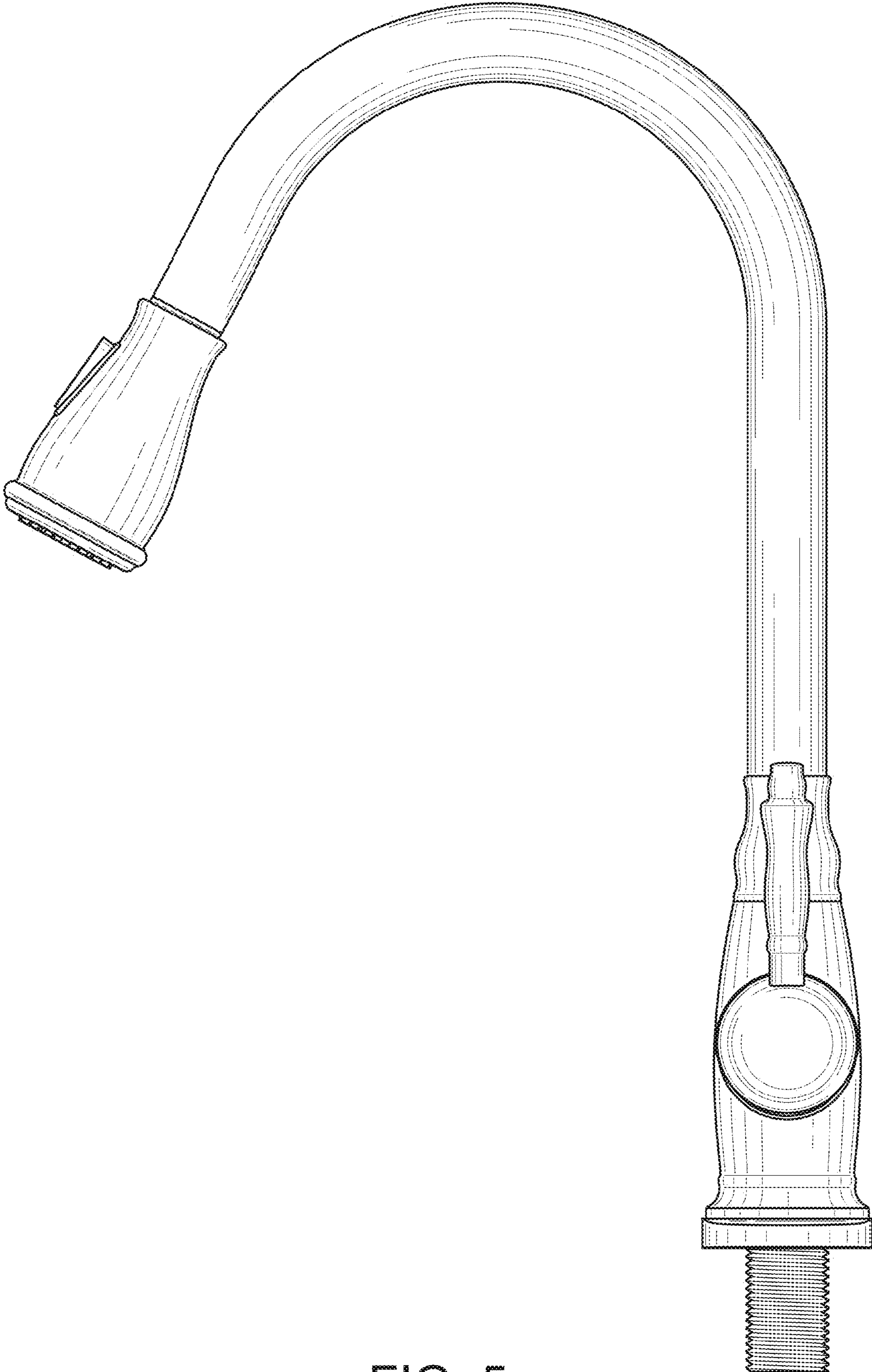


FIG. 5

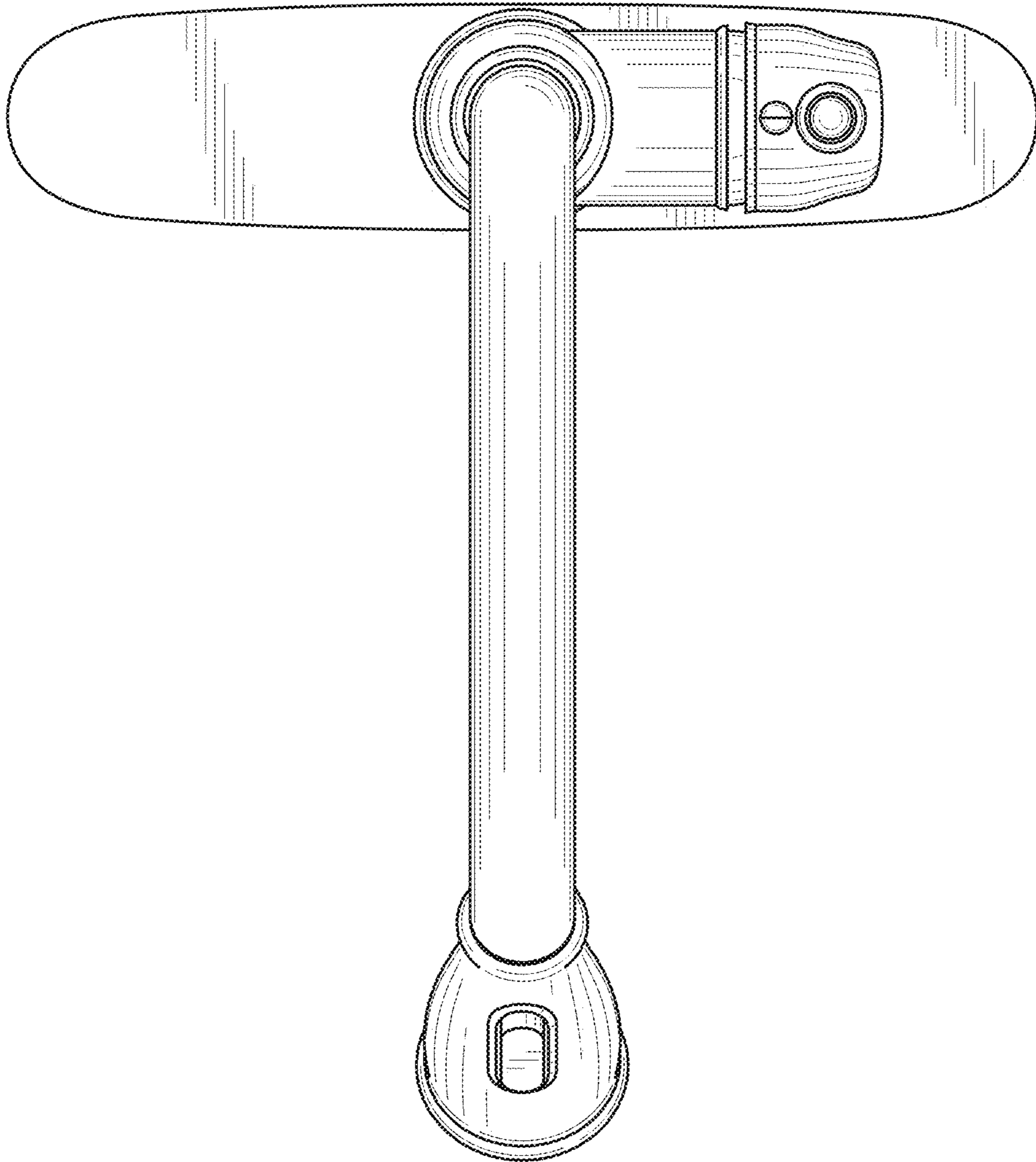


FIG. 6

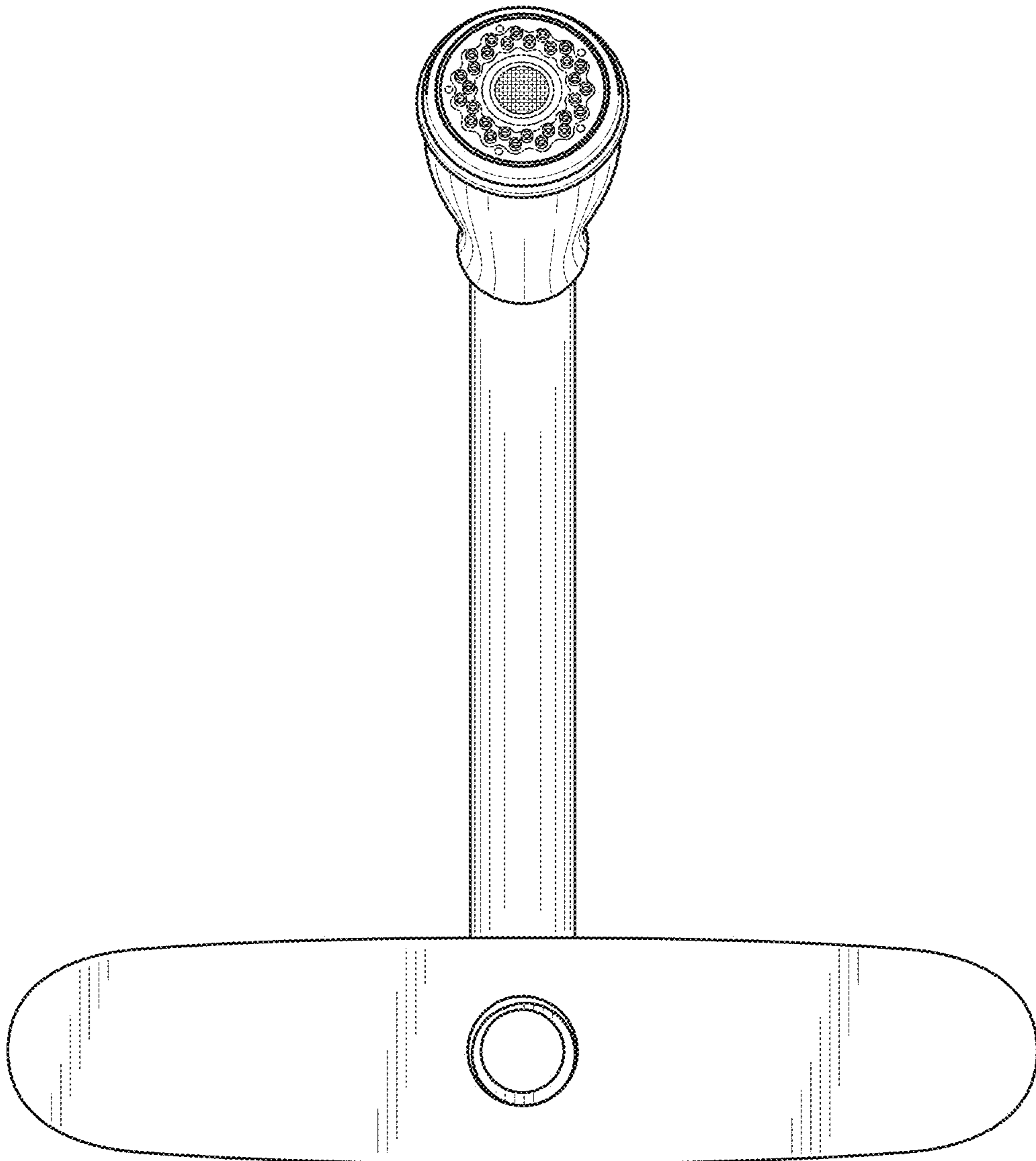


FIG. 7