



US00D954180S

(12) **United States Design Patent** (10) **Patent No.:** **US D954,180 S**
Diefenbach et al. (45) **Date of Patent:** **** Jun. 7, 2022**

(54) **WALL MOUNTED FAUCET**
(71) Applicant: **HANSGROHE SE**, Schiltach (DE)
(72) Inventors: **Andreas Diefenbach**,
Ludwigsburg-Ossweil (DE); **Alvaro Witt**,
Stuttgart (DE)
(73) Assignee: **Hansgrohe SE**, Schiltach (DE)

D647,177 S * 10/2011 Liao D23/238
D758,551 S * 6/2016 Flowers D23/255
D819,184 S * 5/2018 Seum D23/254

FOREIGN PATENT DOCUMENTS

DE 402012000392-0001 3/2012
EM 001202501-0048 7/2010
EM 002816918-0004 10/2015

OTHER PUBLICATIONS

Amazon, Funime Wall Mounted Mixer Tap, posted Sep. 18, 2015, [online], [visited Jun. 16, 2021]. Internet, <URL: https://www.amazon.co.uk/Mounted-Hapilife-Waterfall-Bathroom-Handheld/dp/B015IZZVFU/ref> (Year: 2015).*
Amazon, WasserRhythm Basin Tap Square, posted Dec. 6, 2019, [online], [visited Jun. 16, 2021]. Internet, <URL: https://www.amazon.co.uk/WasserRhythm-Square-Bathroom-Mixers-Monobloc/dp/B082F3VP1K/ref> (Year: 2019).*

* cited by examiner

Primary Examiner — Samantha Wood
(74) *Attorney, Agent, or Firm* — Lora J. Graentzdoerffer

(**) Term: **15 Years**
(21) Appl. No.: **29/727,492**
(22) Filed: **Mar. 11, 2020**
(30) **Foreign Application Priority Data**
Sep. 12, 2019 (EM) 006862116
(51) **LOC (13) Cl.** **23-01**
(52) **U.S. Cl.**
USPC **D23/238**
(58) **Field of Classification Search**
USPC D23/257, 249, 254, 259, 255, 233, 234,
D23/235, 236, 237, 238, 240, 241, 242,
D23/243, 244, 245, 246, 247, 248, 250,
D23/251, 252, 253, 256
CPC E03C 1/01; E03C 1/0409; E03C 1/025;
E03C 1/0408; Y10T 137/5339; Y10T
137/6014; Y10T 137/6021
See application file for complete search history.

(57) **CLAIM**

The ornamental design for a wall mounted faucet, as shown and described.

DESCRIPTION

FIG. 1 is a perspective view of a wall mounted faucet showing our design;
FIG. 2 is a front elevational view thereof;
FIG. 3 is a rear elevational view thereof;
FIG. 4 is a side elevational view thereof;
FIG. 5 is a top plan view thereof; and,
FIG. 6 is a bottom plan view thereof.
The broken lines are included for the purpose of illustrating portions of the wall mounted faucet that form no part of the claimed design.

1 Claim, 6 Drawing Sheets

(56) **References Cited**
U.S. PATENT DOCUMENTS
D293,816 S * 1/1988 Bergmann D23/238
5,813,436 A * 9/1998 Chen F16K 11/0445
137/360
D443,916 S * 6/2001 Mullenmeister D23/238
D500,841 S * 1/2005 Citterio D23/238
D573,230 S * 7/2008 Sieger D23/238
D581,023 S * 11/2008 Citterio D23/252
D636,466 S * 4/2011 Schoenherr D23/255

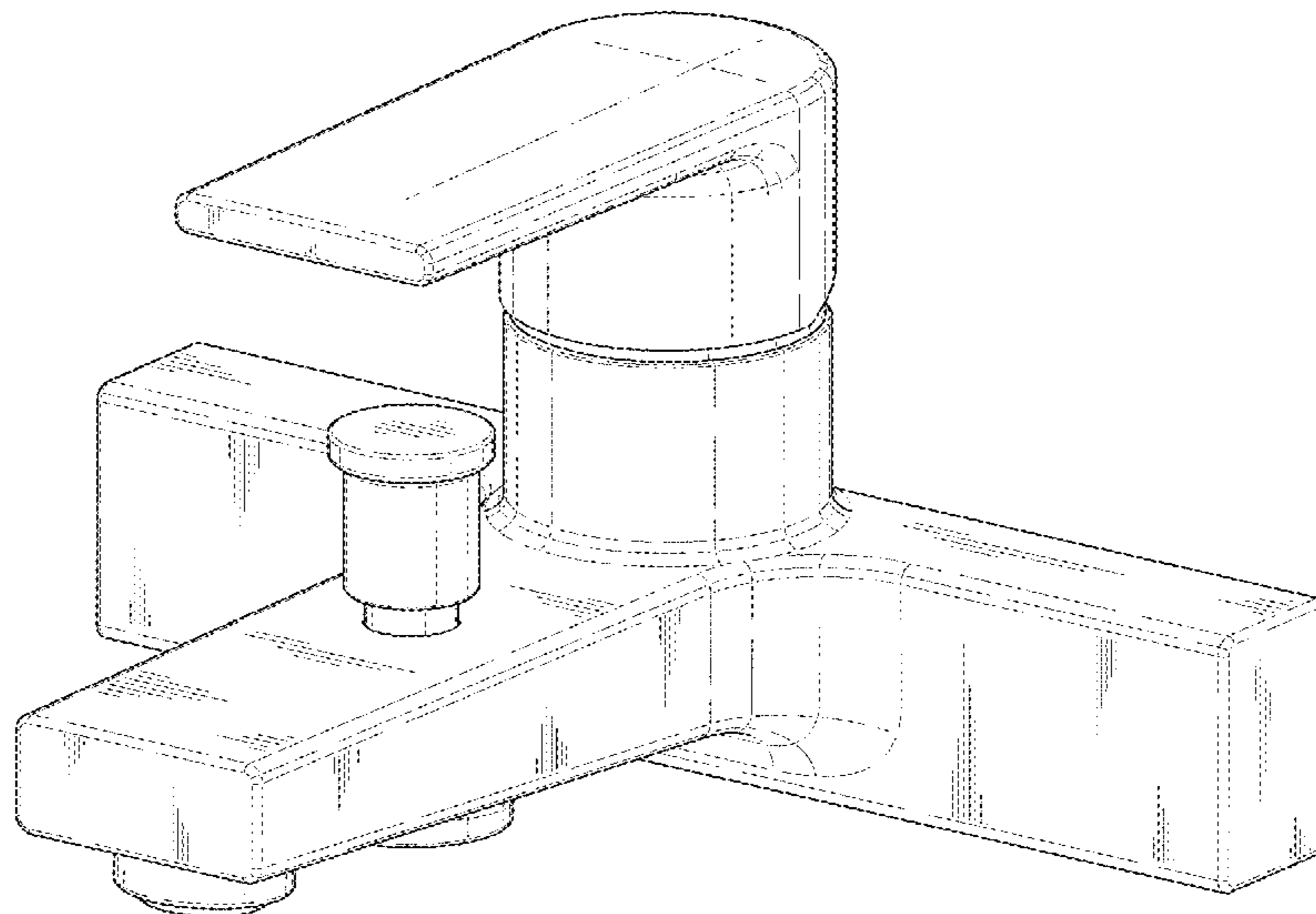


FIG. 1

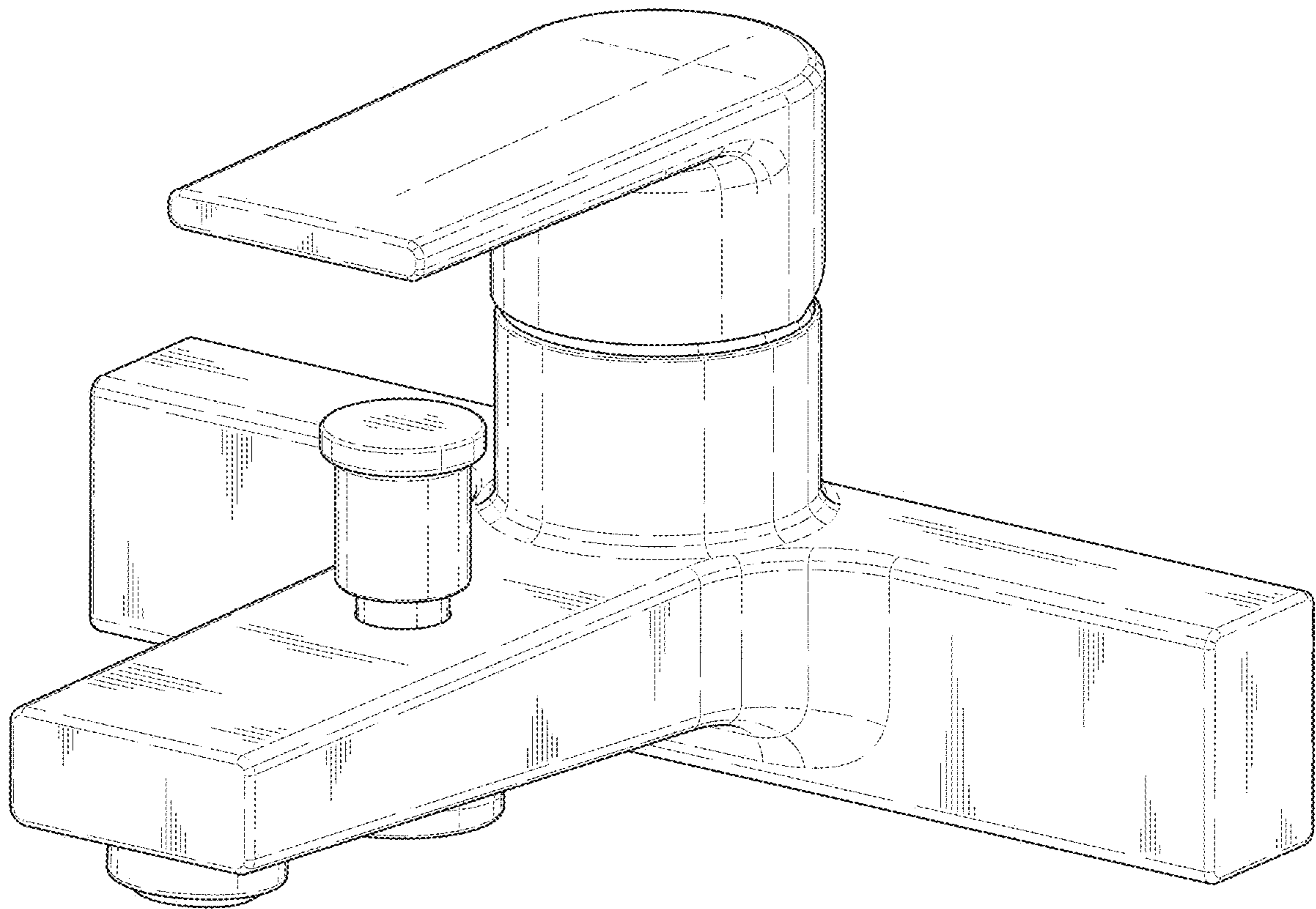


FIG. 2

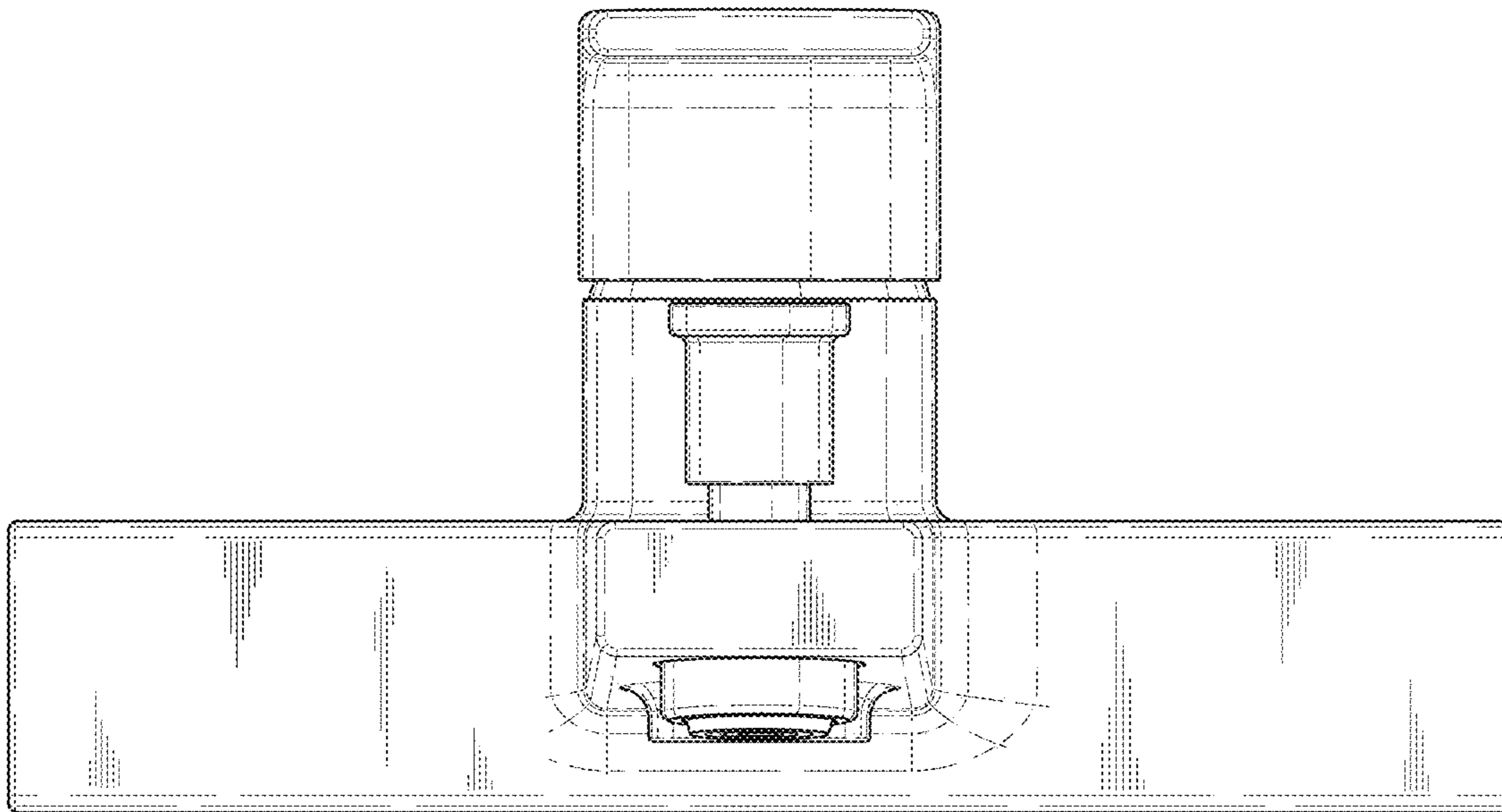


FIG. 3

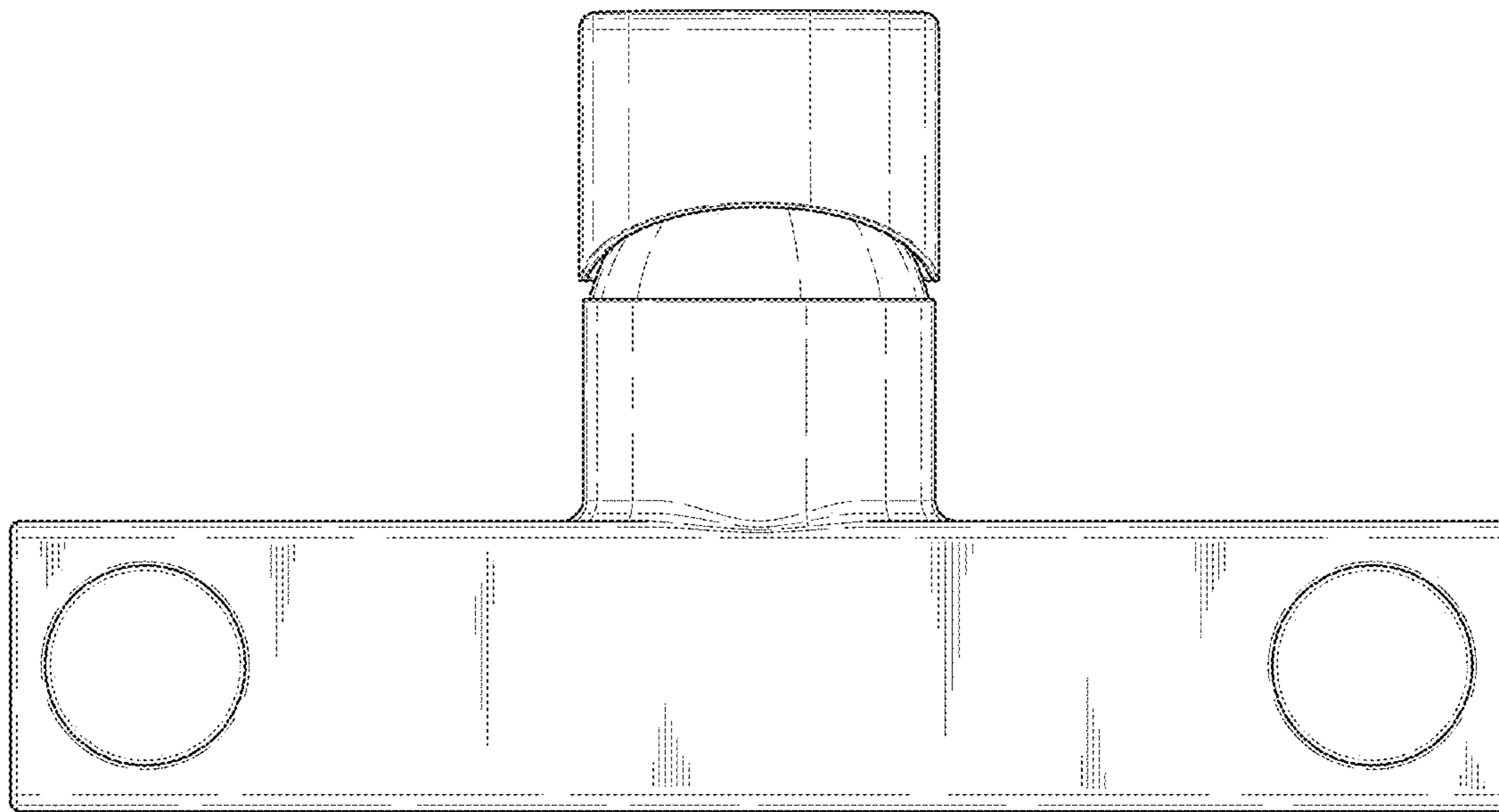


FIG. 4

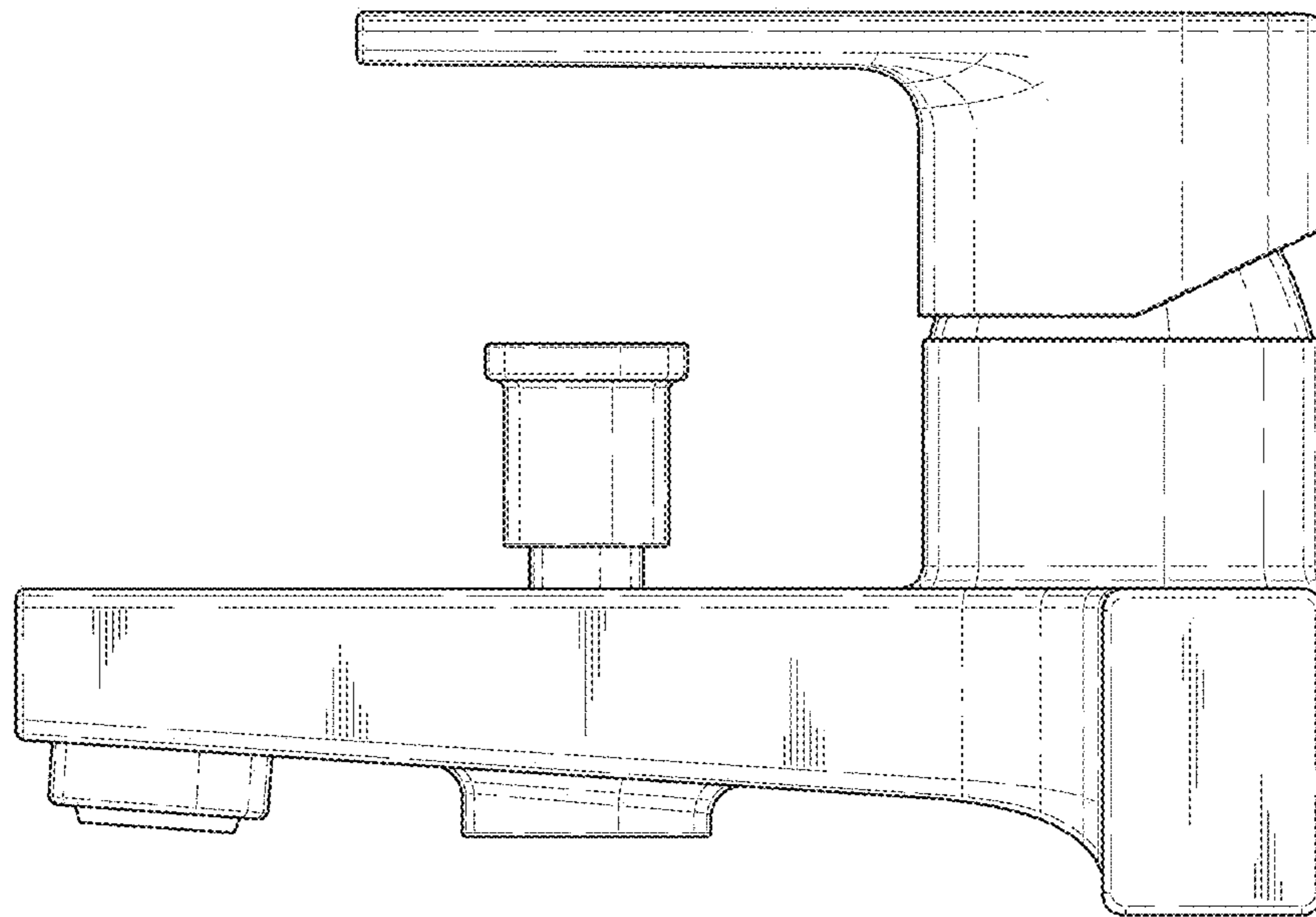


FIG. 5

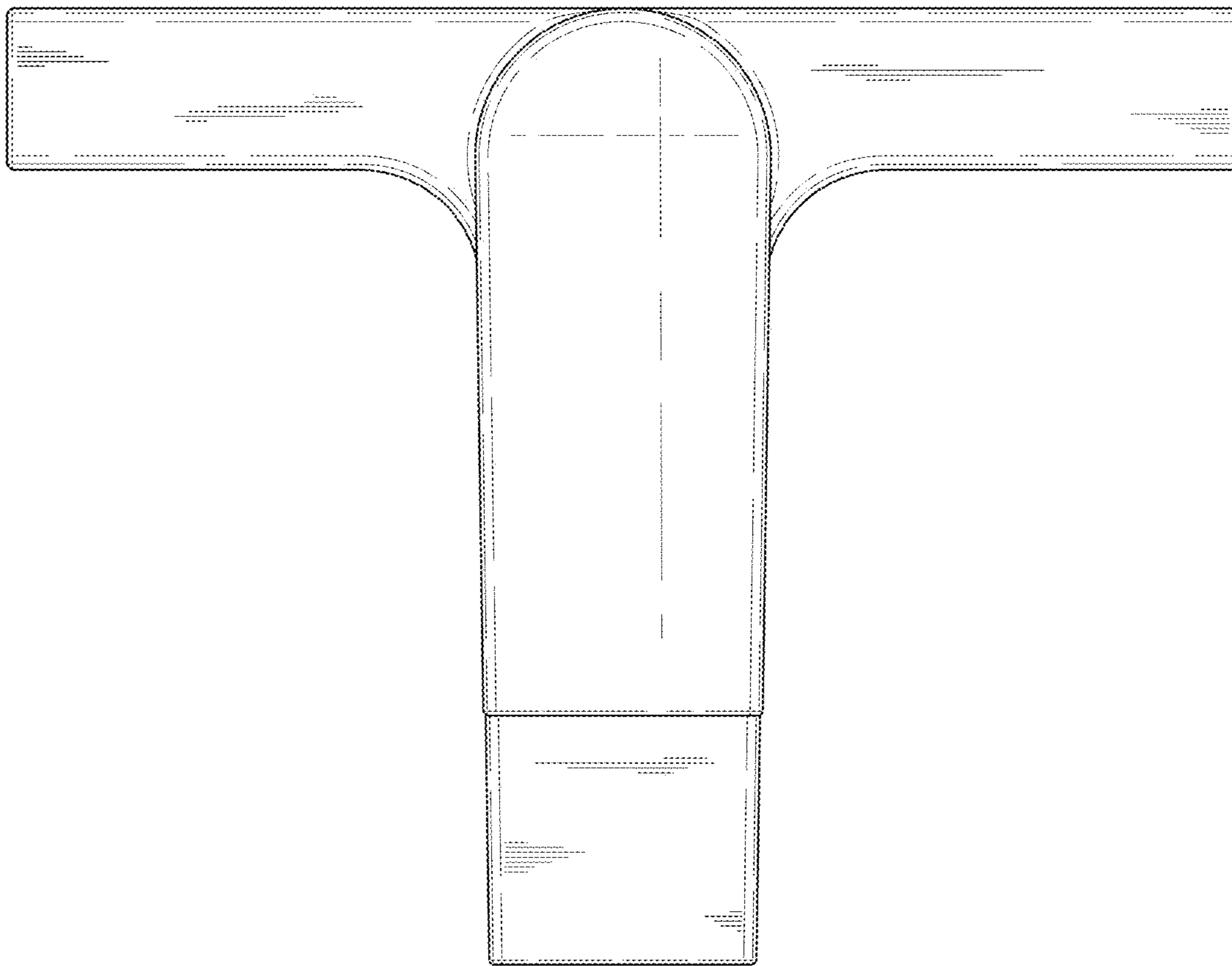


FIG. 6

