



US00D954178S

(12) **United States Design Patent**
Mikesch et al.

(10) **Patent No.: US D954,178 S**
(45) **Date of Patent: ** Jun. 7, 2022**

(54) **VALVE**

OTHER PUBLICATIONS

(71) Applicant: **BITZER Kuehlmaschinenbau GmbH**,
Sindelfingen (DE)

U.S. Appl. No. 29/539,144, filed Sep. 11, 2015, Christensen.

(Continued)

(72) Inventors: **Lucas Mikesch**, Schmoelln (DE);
Frank Buettner, Leipzig (DE)

Primary Examiner — Gino Colan

(74) *Attorney, Agent, or Firm* — Reinhart Boerner Van
Deuren P.C.

(73) Assignee: **BITZER Kuehlmaschinenbau GmbH**,
Sindelfingen (DE)

(57) **CLAIM**

(**) Term: **15 Years**

We claim the ornamental design for a valve, as shown and
described.

(21) Appl. No.: **29/699,005**

DESCRIPTION

(22) Filed: **Jul. 22, 2019**

Related U.S. Application Data

(62) Division of application No. 29/616,611, filed on Sep.
7, 2017, now Pat. No. Des. 892,978.

The design application contains at least one drawing
executed in color. Copies of this design application publi-
cation with color drawings will be provided by the Office
upon request and payment of the necessary fee.

FIG. 1 is a perspective view from the bottom and left hand
side of a valve in accordance with a first embodiment of the
present invention;

FIG. 2 is a front view of the valve shown in FIG. 1, with the
valve being illustrated in the closed position;

FIG. 3 is a rear view of the valve shown in FIG. 1;

FIG. 4 is a left hand side view of the valve shown in FIG.
1;

FIG. 5 is a right hand side view of the valve shown in FIG.
1;

FIG. 6 is a top view of the valve shown in FIG. 1;

FIG. 7 is a bottom view of the valve shown in FIG. 1;

FIG. 8 is the same front view of the valve as shown in FIG.
2, except with the valve being illustrated in the open
position;

FIG. 9 is a perspective view from the bottom and left hand
side of a valve in accordance with a second embodiment of
the present invention, but with the second embodiment
depicting ornamentally the same valve design of the first
embodiment but with additional color detail and markings in
the drawings;

FIG. 10 is a front view of the valve shown in FIG. 9, with
the valve being illustrated in the closed position;

FIG. 11 is a rear view of the valve shown in FIG. 9;

(Continued)

Foreign Application Priority Data

Mar. 10, 2017 (EM) 003792878

Mar. 10, 2017 (EM) 003792878-0001

(Continued)

(51) **LOC (13) Cl.** **23-01**

(52) **U.S. Cl.**
USPC **D23/233**

(58) **Field of Classification Search**
USPC D23/233-249; 137/505, 613, 614, 15.18,
137/505.37; D15/9; 62/115, 498, 401,
62/508

(Continued)

(56) **References Cited**

U.S. PATENT DOCUMENTS

1,331,535 A 2/1920 Smith
D198,428 S 6/1964 Cordis

(Continued)

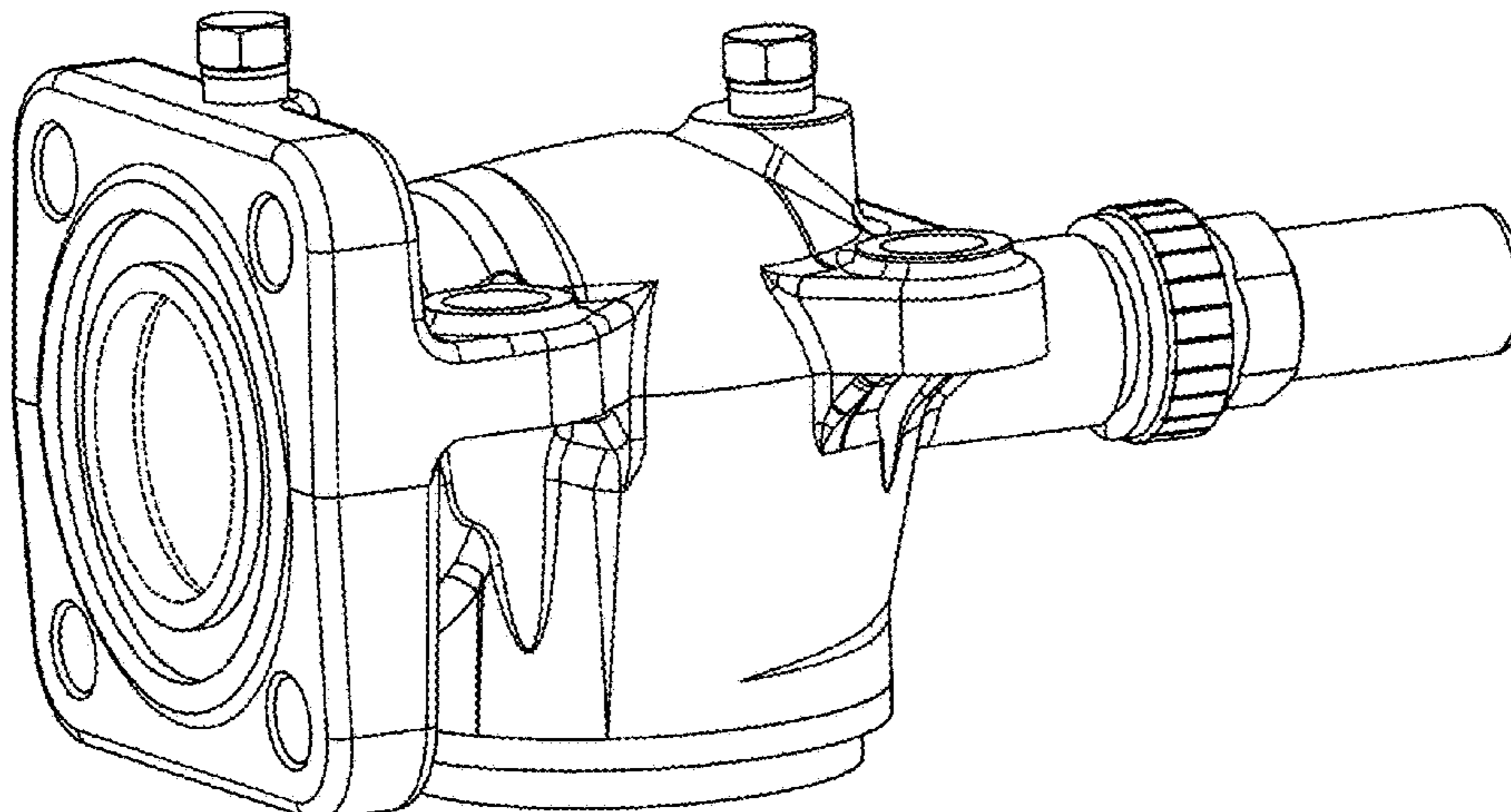


FIG. 12 is a left hand side view of the valve shown in FIG. 9;
FIG. 13 is a right hand side view of the valve shown in FIG. 9;
FIG. 14 is a top view of the valve shown in FIG. 9;
FIG. 15 is a bottom view of the valve shown in FIG. 9; and,
FIG. 16 is the same front view of the valve as shown in FIG. 10, except with the valve being illustrated in the open position.
The broken lines shown in the figures are included for the purpose of illustrating portions of the valve which form no part of the claimed design.

**1 Claim, 16 Drawing Sheets
(8 of 16 Drawing Sheet(s) Filed in Color)**

(30) **Foreign Application Priority Data**

Mar. 10, 2017	(EM)	003792878-0002
Mar. 10, 2017	(EM)	003792878-0003
Mar. 10, 2017	(EM)	003792878-0004
Mar. 10, 2017	(EM)	003792878-0005
Mar. 10, 2017	(EM)	003792878-0006
Mar. 10, 2017	(EM)	003792878-0007
Mar. 10, 2017	(EM)	003792878-0008

(58) **Field of Classification Search**
CPC F16K 31/0675; F16K 27/048
See application file for complete search history.

(56) **References Cited**

U.S. PATENT DOCUMENTS

D394,068 S	5/1998	Pollich et al.
D467,254 S	12/2002	Ullrich
D531,194 S	10/2006	Hertenstein et al.
D538,826 S	3/2007	Kienzle
D595,748 S	7/2009	Kratschmer
D684,197 S	6/2013	Kienzle et al.
D690,324 S	9/2013	Kienzle et al.
D709,524 S	7/2014	Ohser et al.
D717,344 S	11/2014	Ohser et al.
D732,641 S	6/2015	Hermann
D733,764 S	7/2015	Ohser
D745,896 S	12/2015	Ohser et al.
D761,326 S	7/2016	Kienzle et al.
D763,323 S	8/2016	Mikulic
D770,538 S	11/2016	Li
D777,213 S	1/2017	Ohser
D777,794 S	1/2017	Wipper et al.
D829,771 S	10/2018	Loerch et al.
D840,438 S	2/2019	Mikulic et al.

OTHER PUBLICATIONS

U.S. Appl. No. 29/599,787, filed Apr. 6, 2017, Loerch et al.
U.S. Appl. No. 29/616,611, filed Sep. 7, 2017, Mikesch et al.
U.S. Appl. No. 29/618,442, filed Sep. 21, 2017, Mikulic et al.

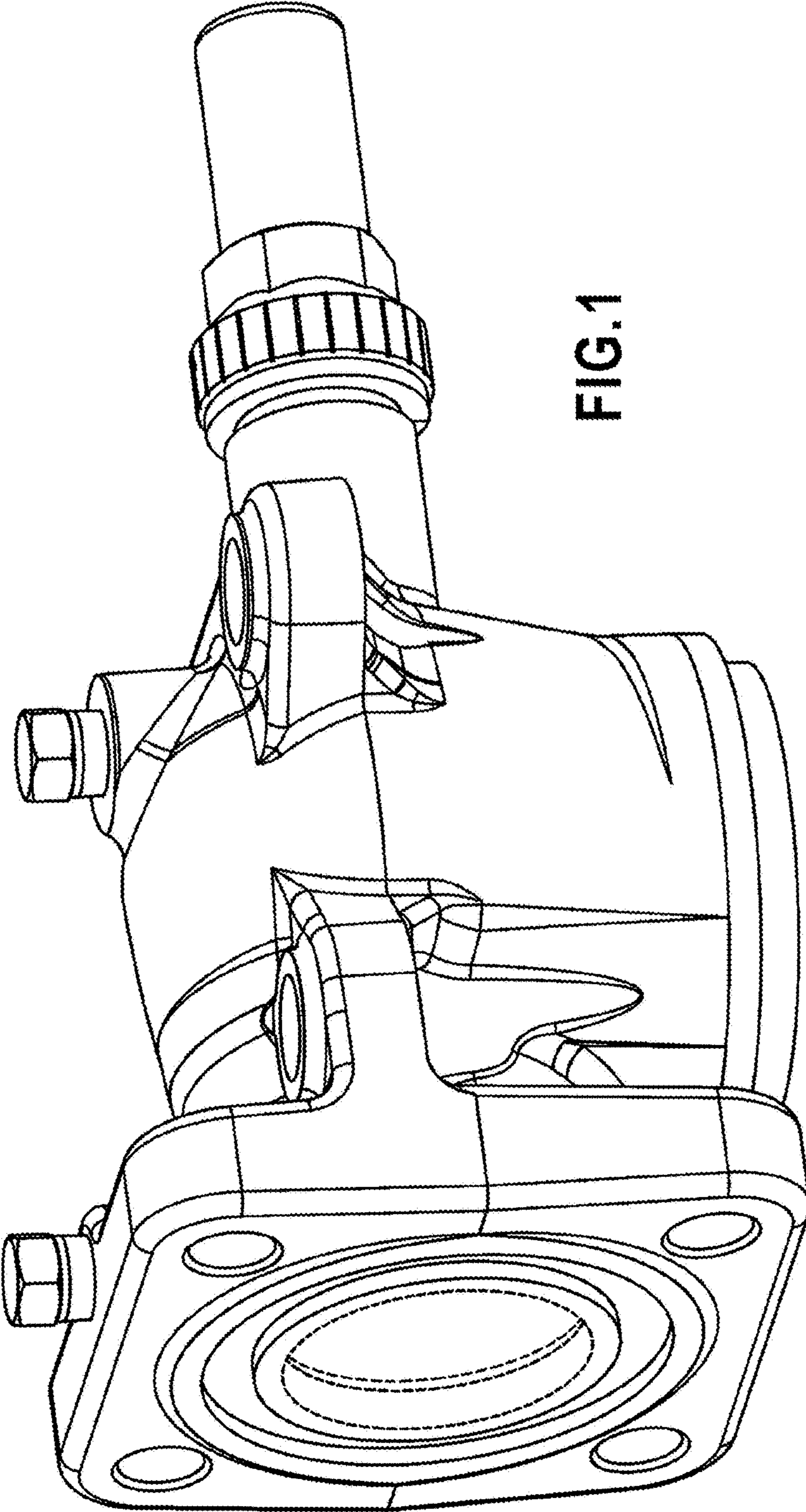


FIG.1

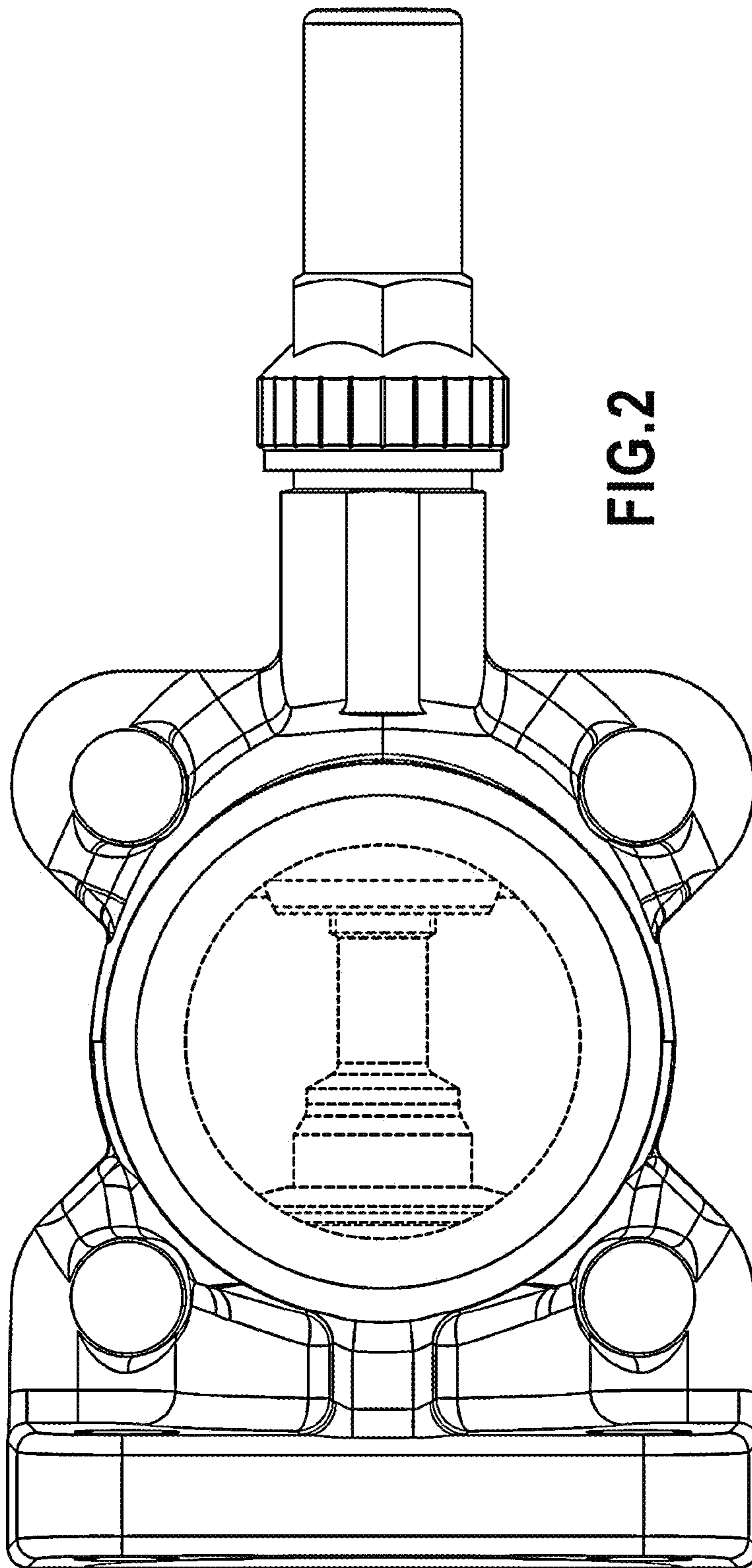


FIG. 2

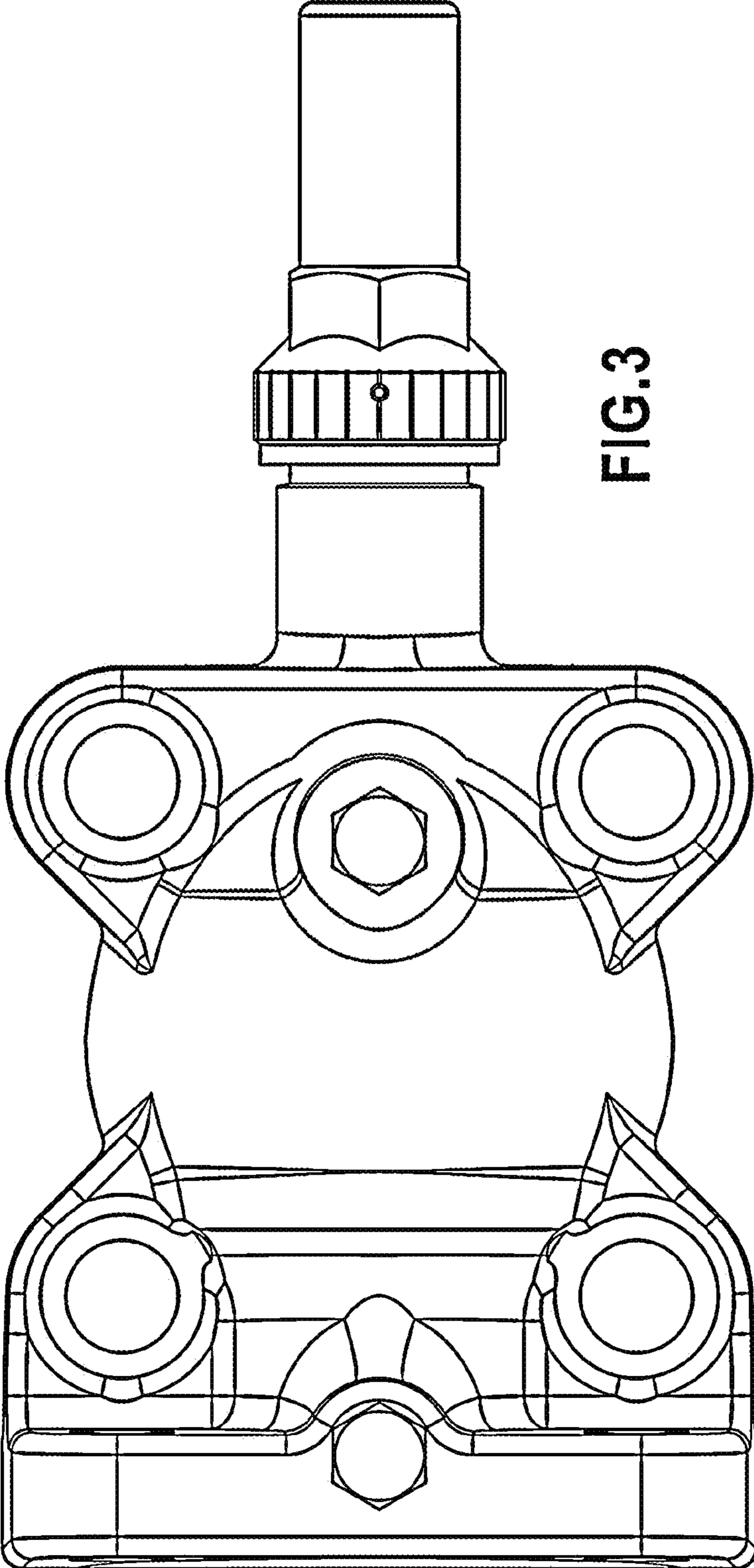


FIG.3

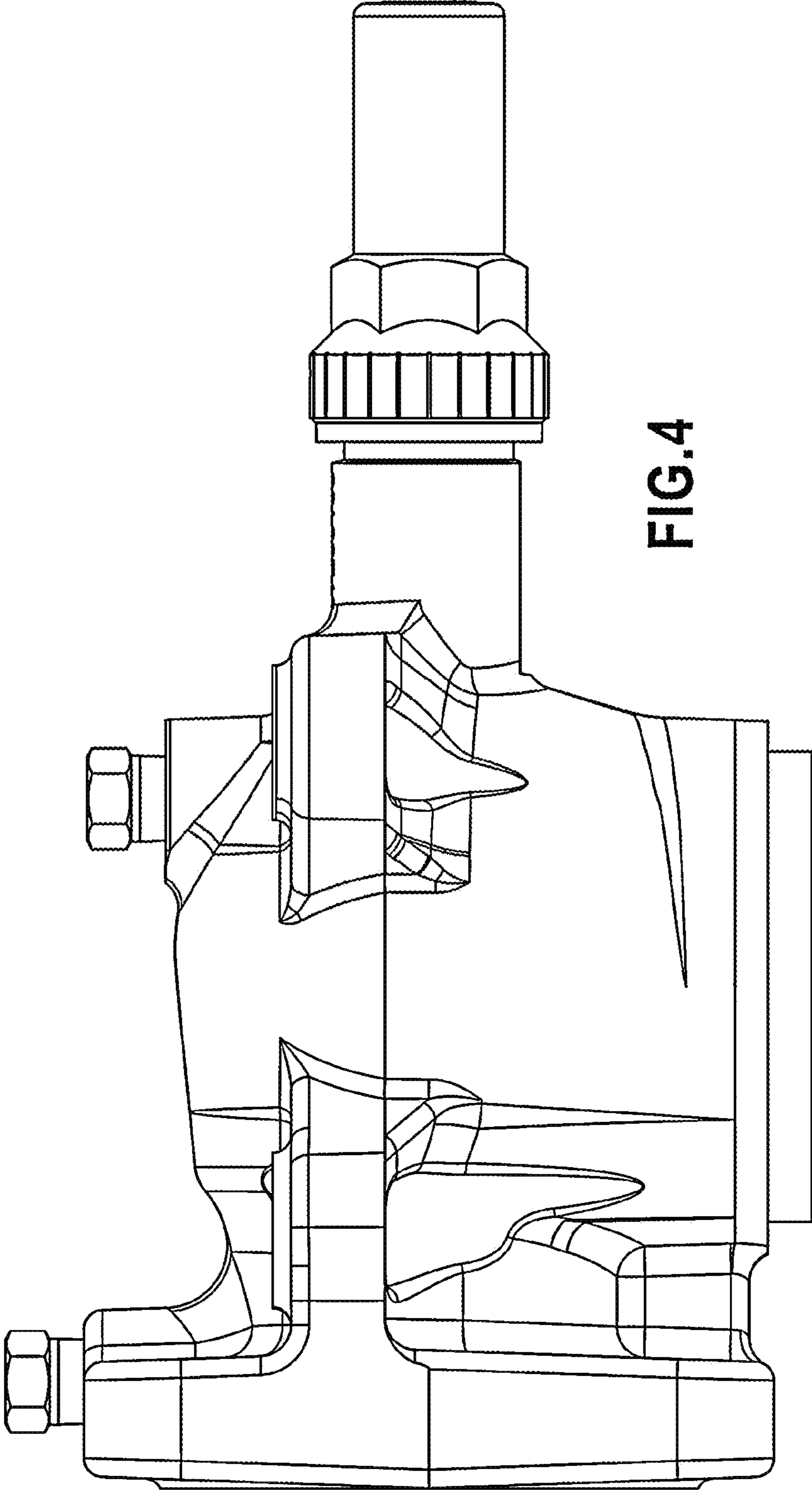


FIG.4

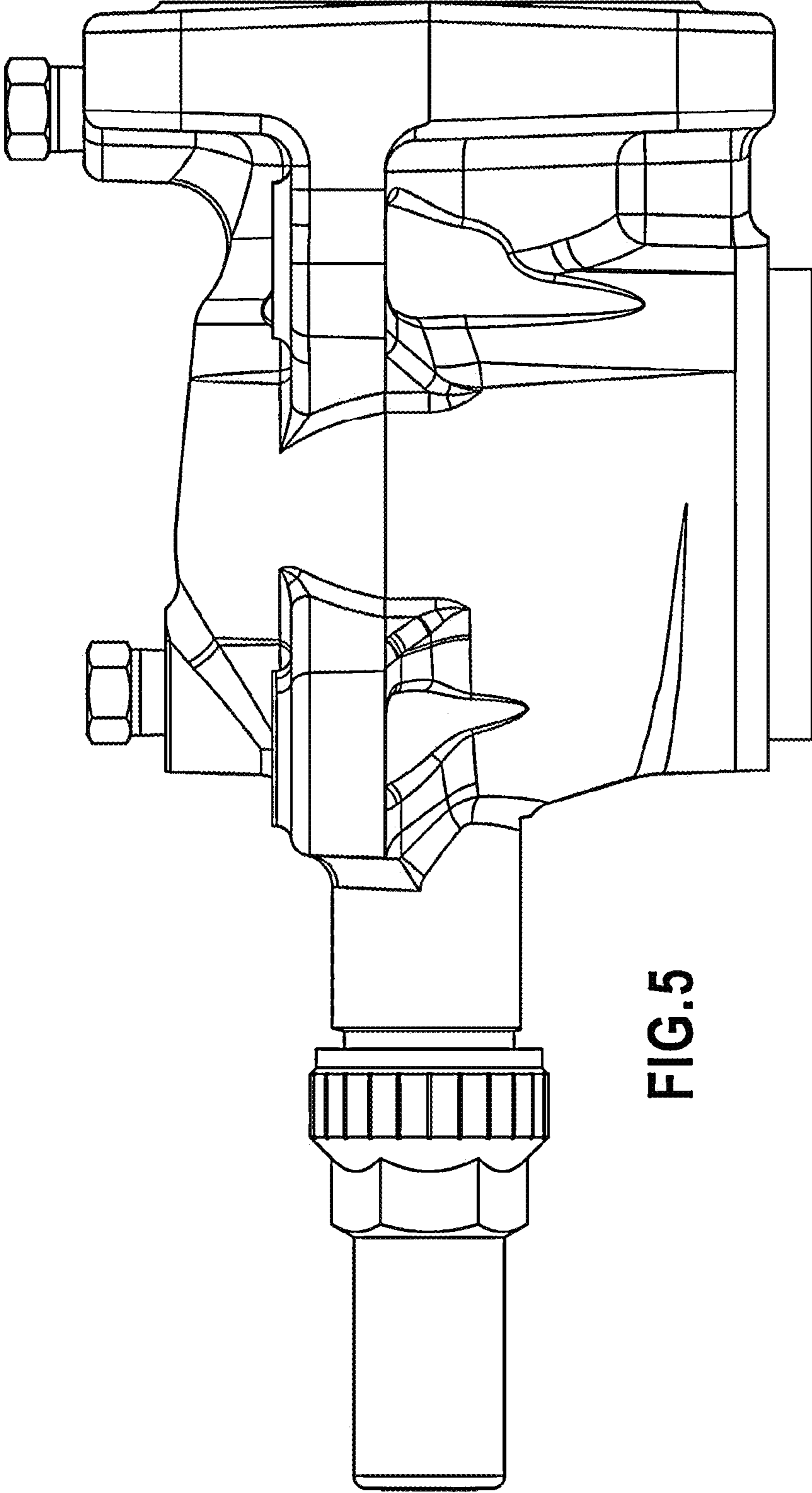


FIG. 5

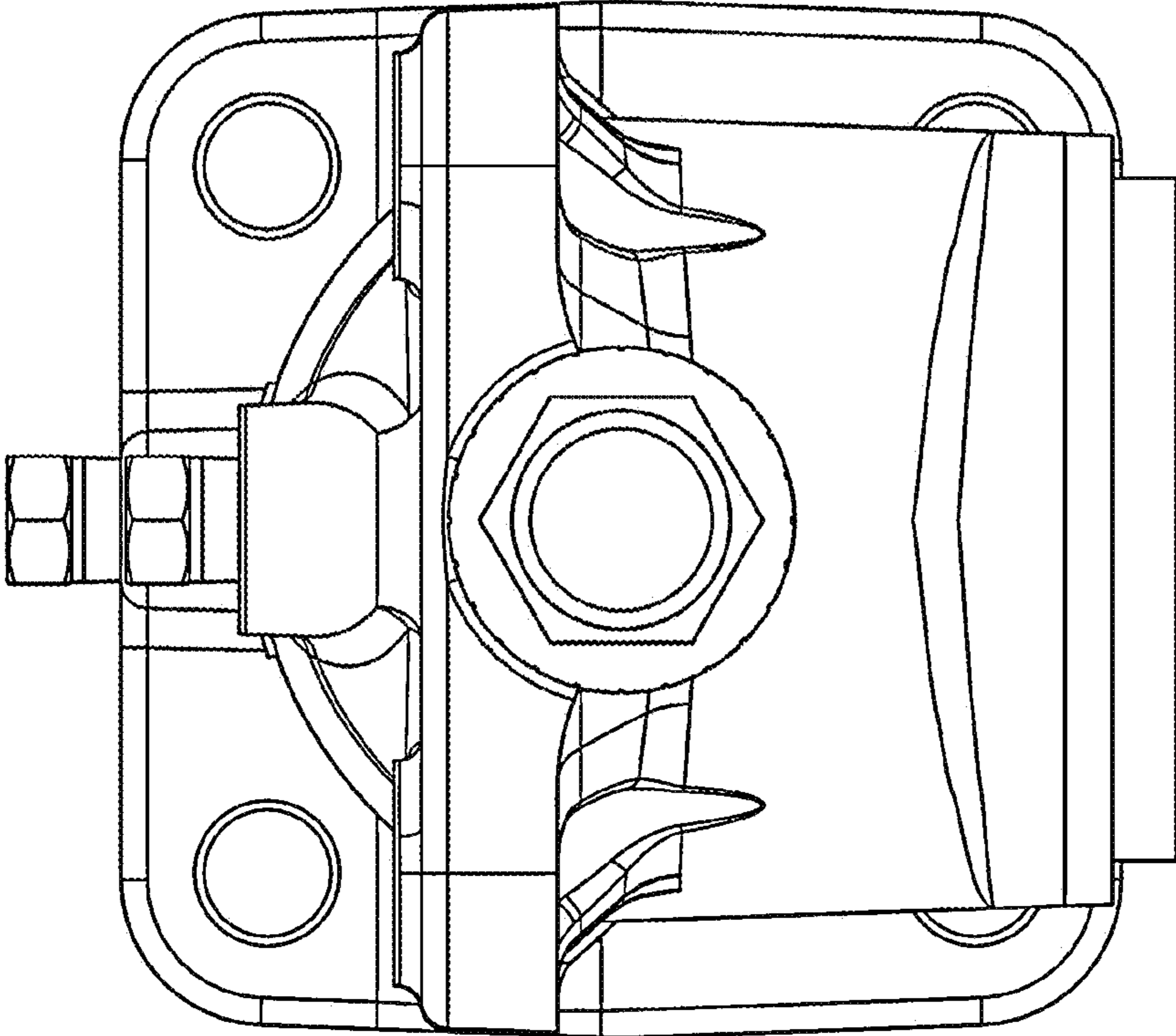


FIG. 6

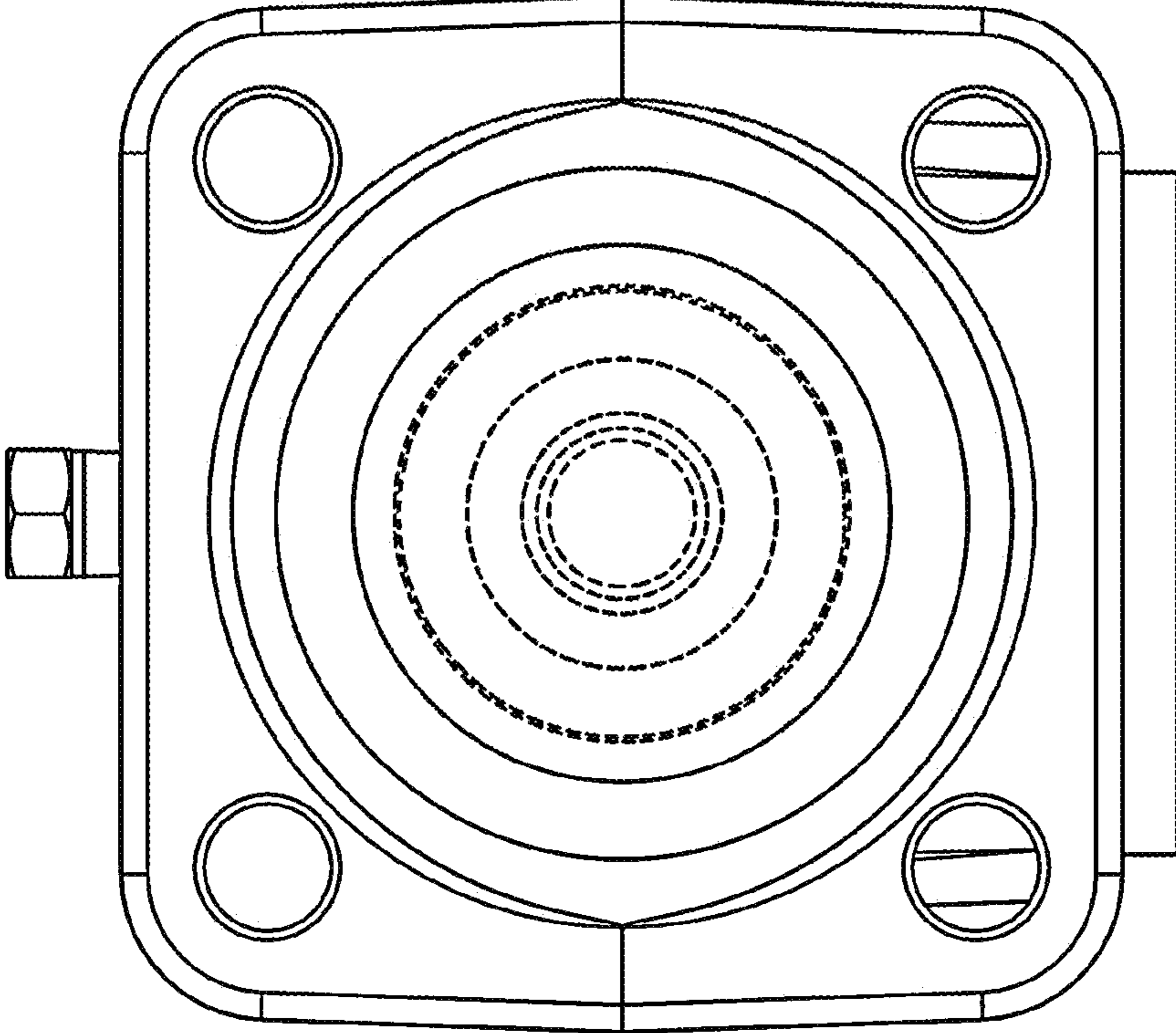


FIG. 7

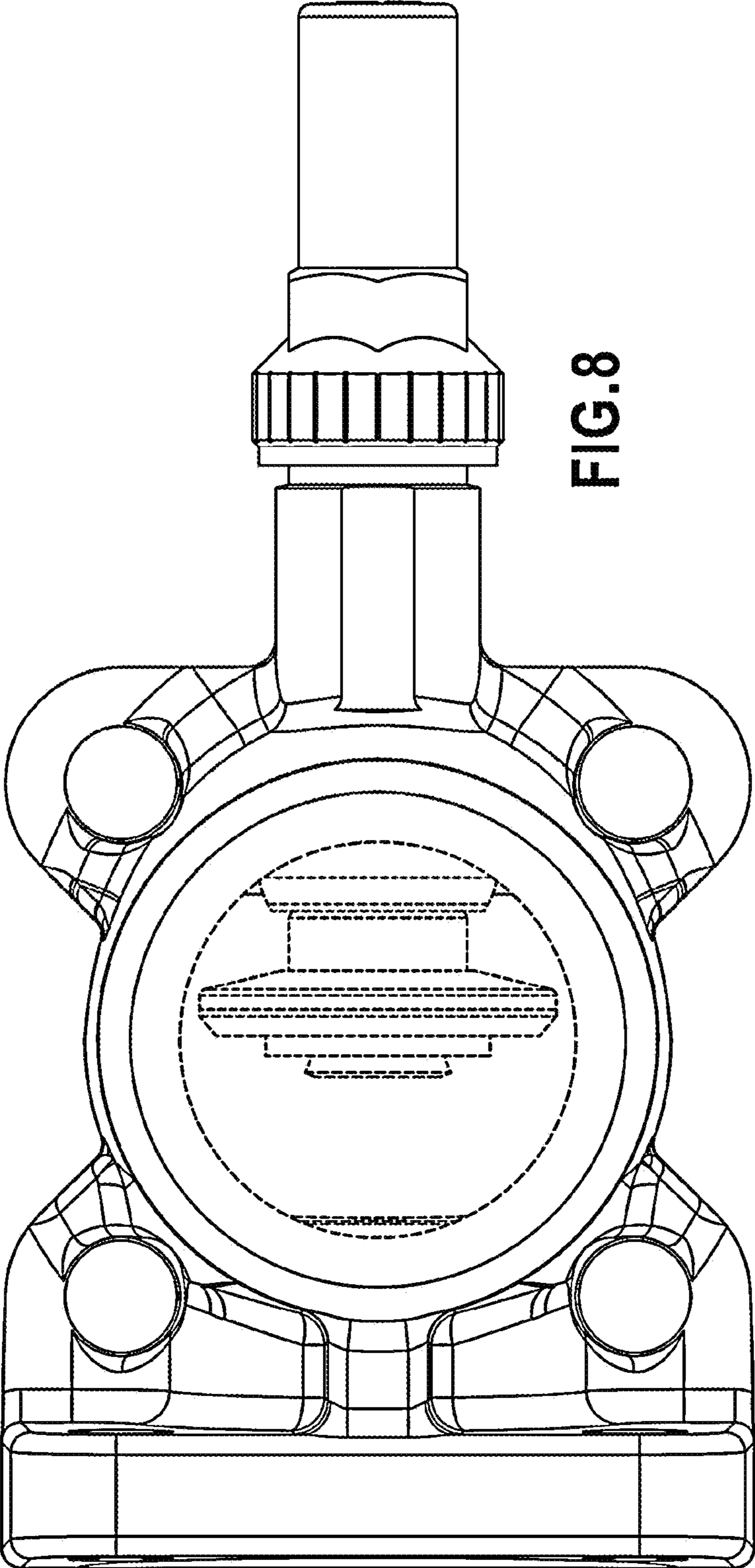


FIG. 8

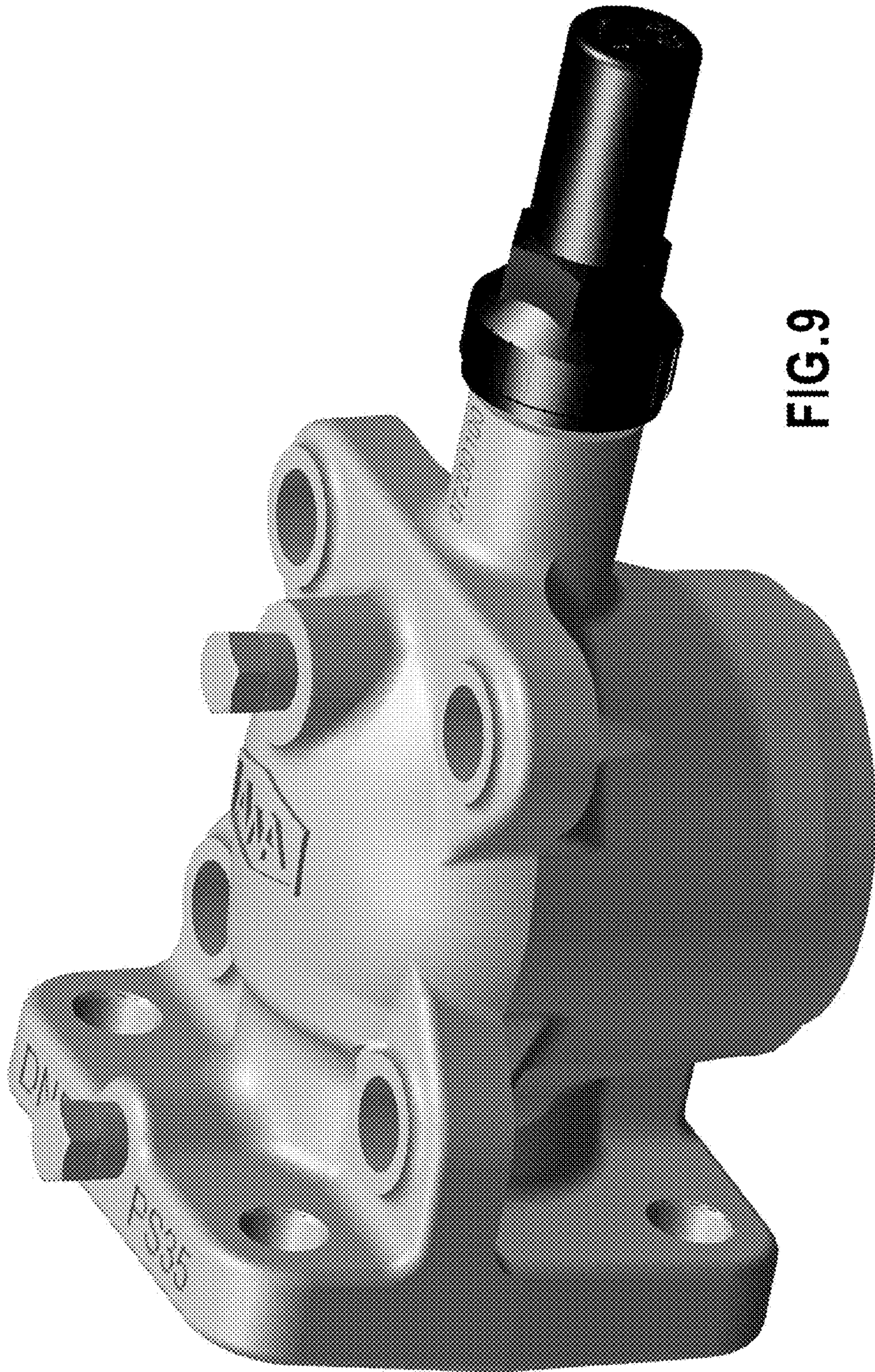


FIG.9

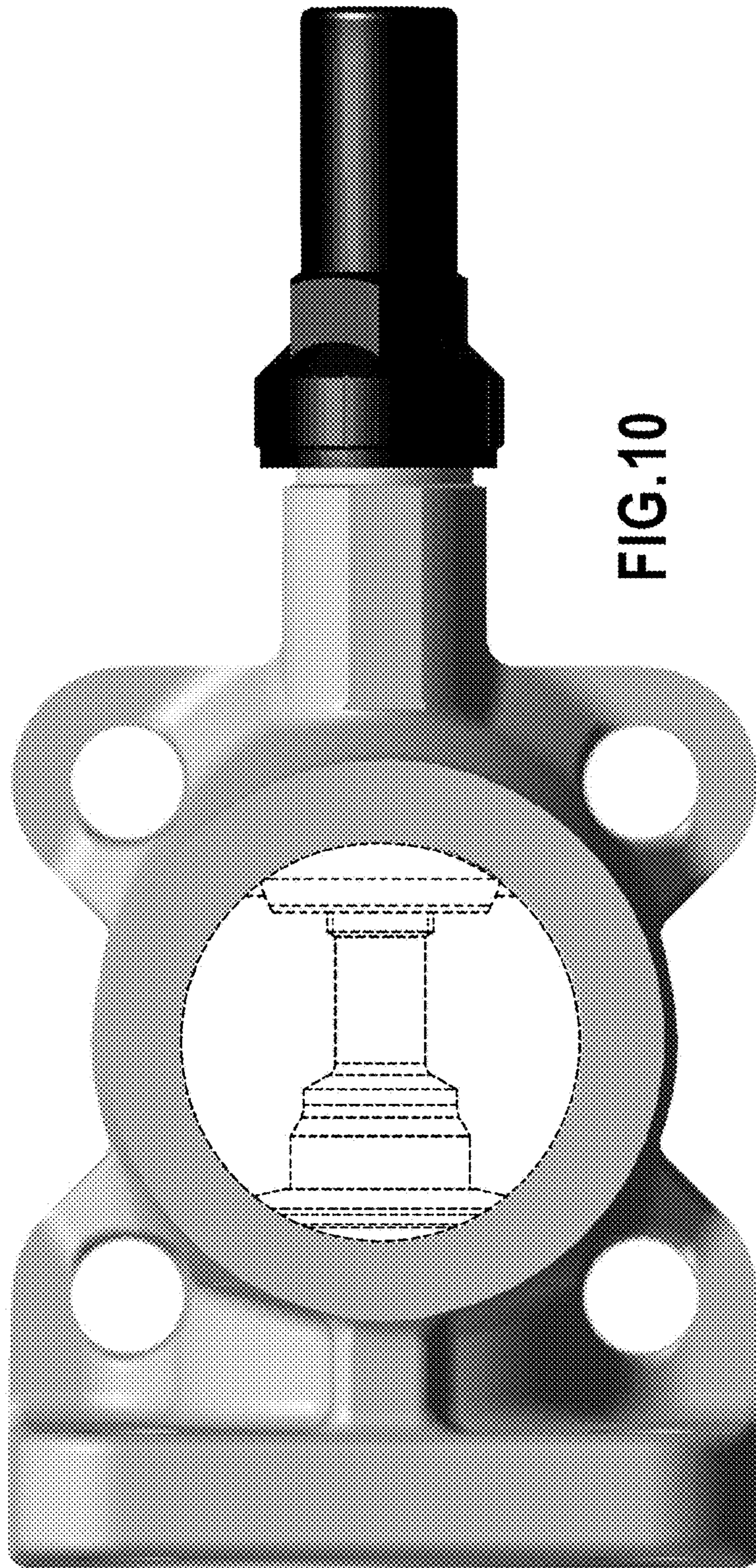


FIG. 10



FIG.11

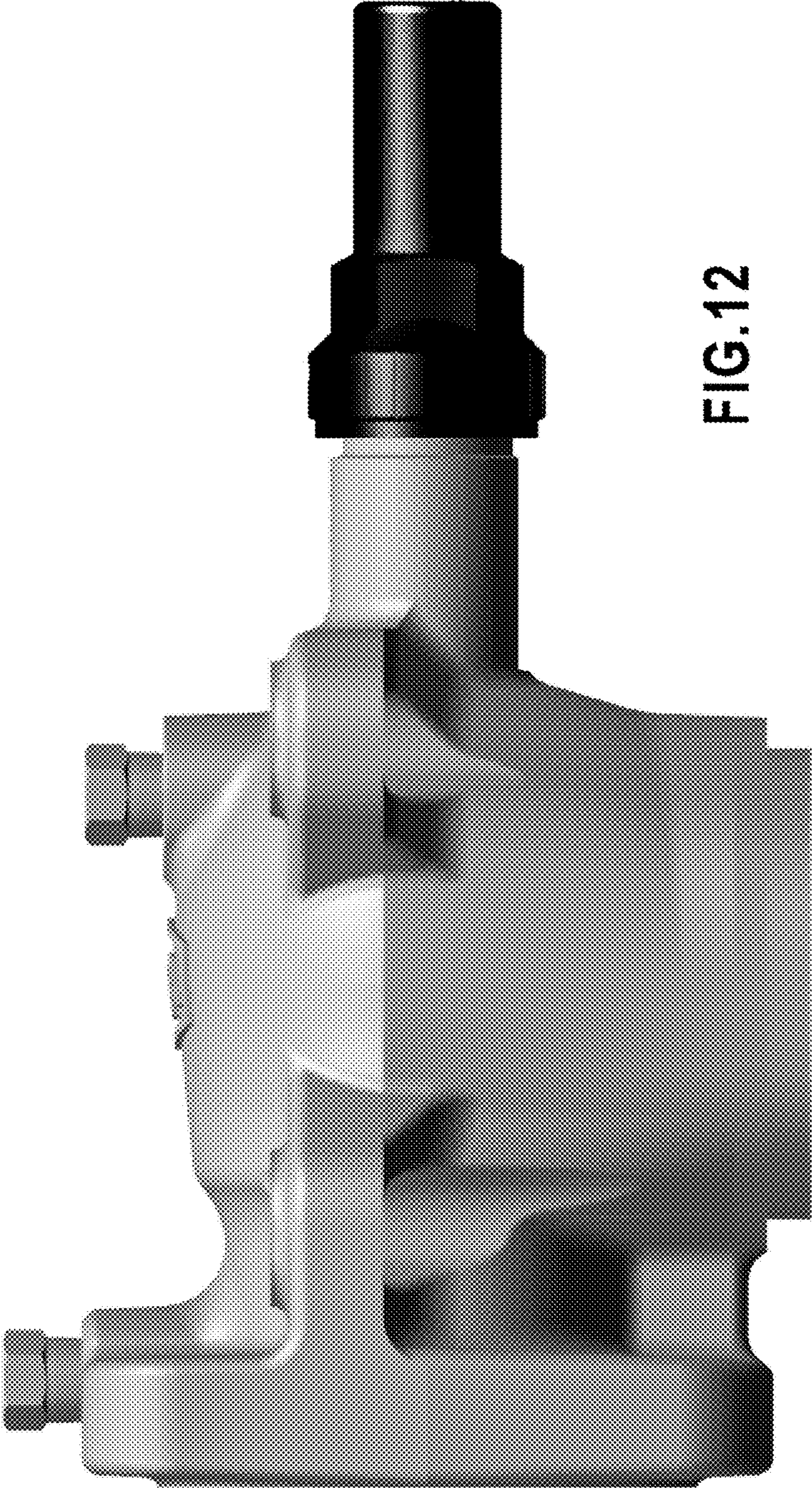


FIG.12

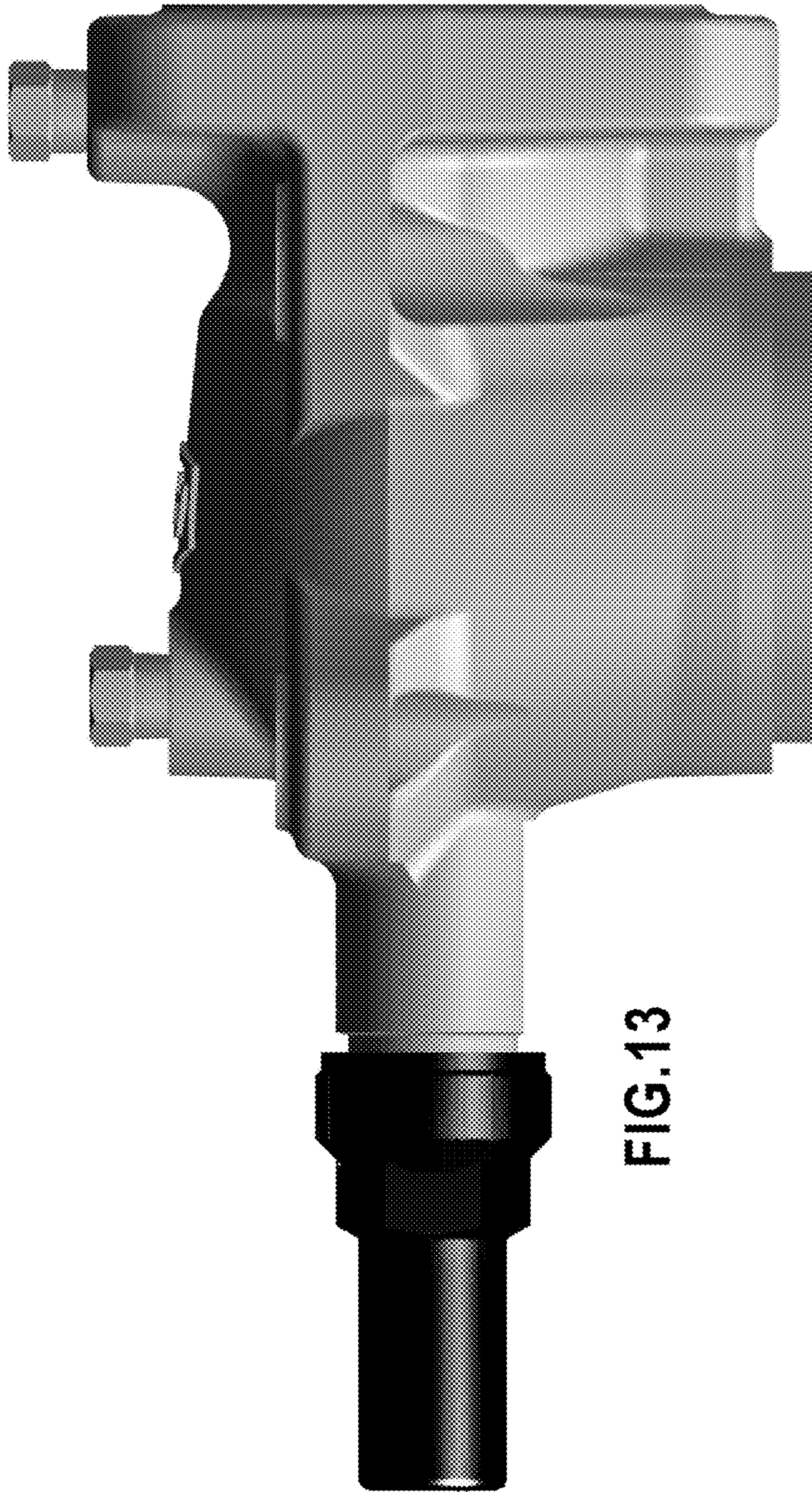


FIG. 13

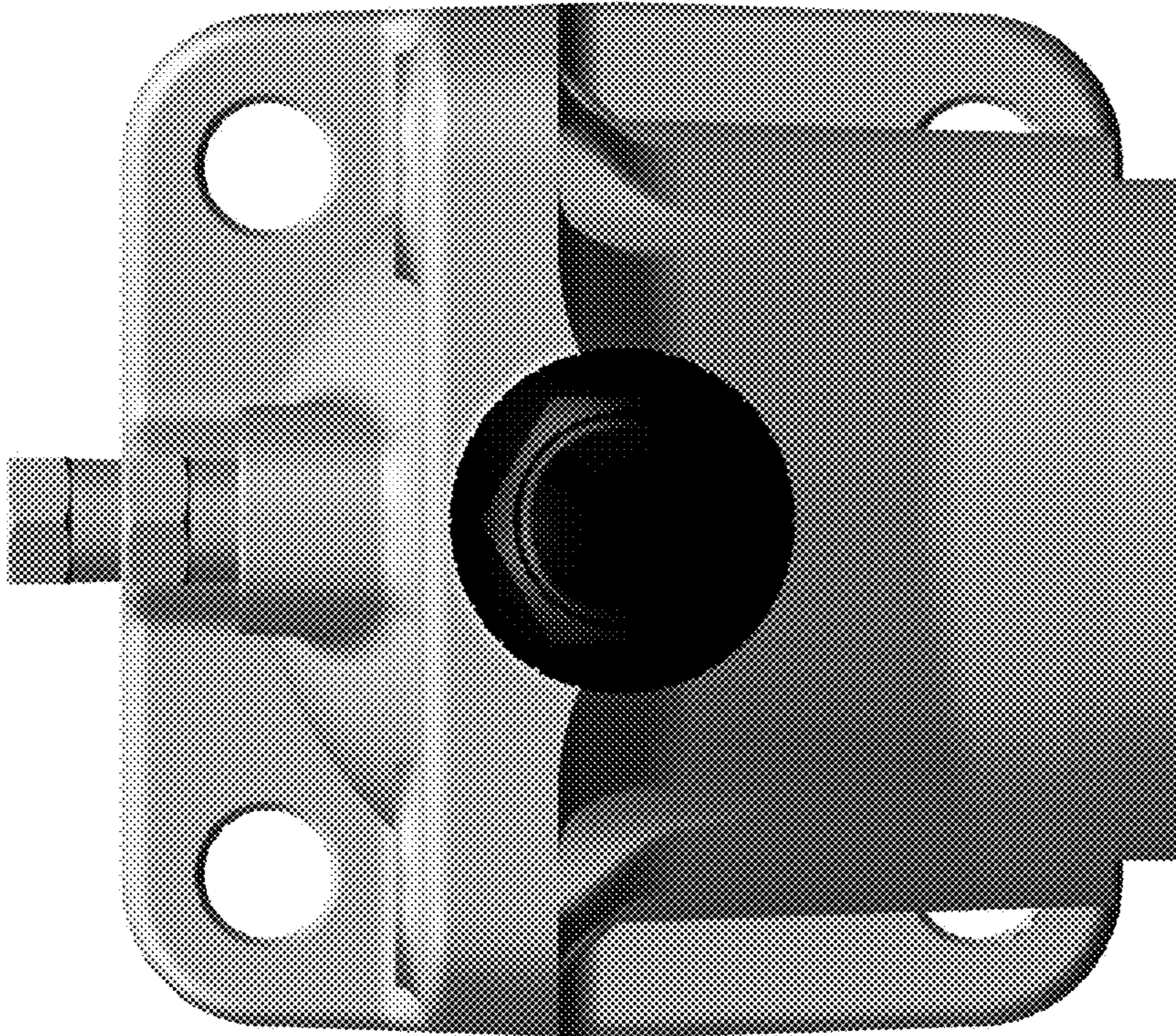


FIG.14

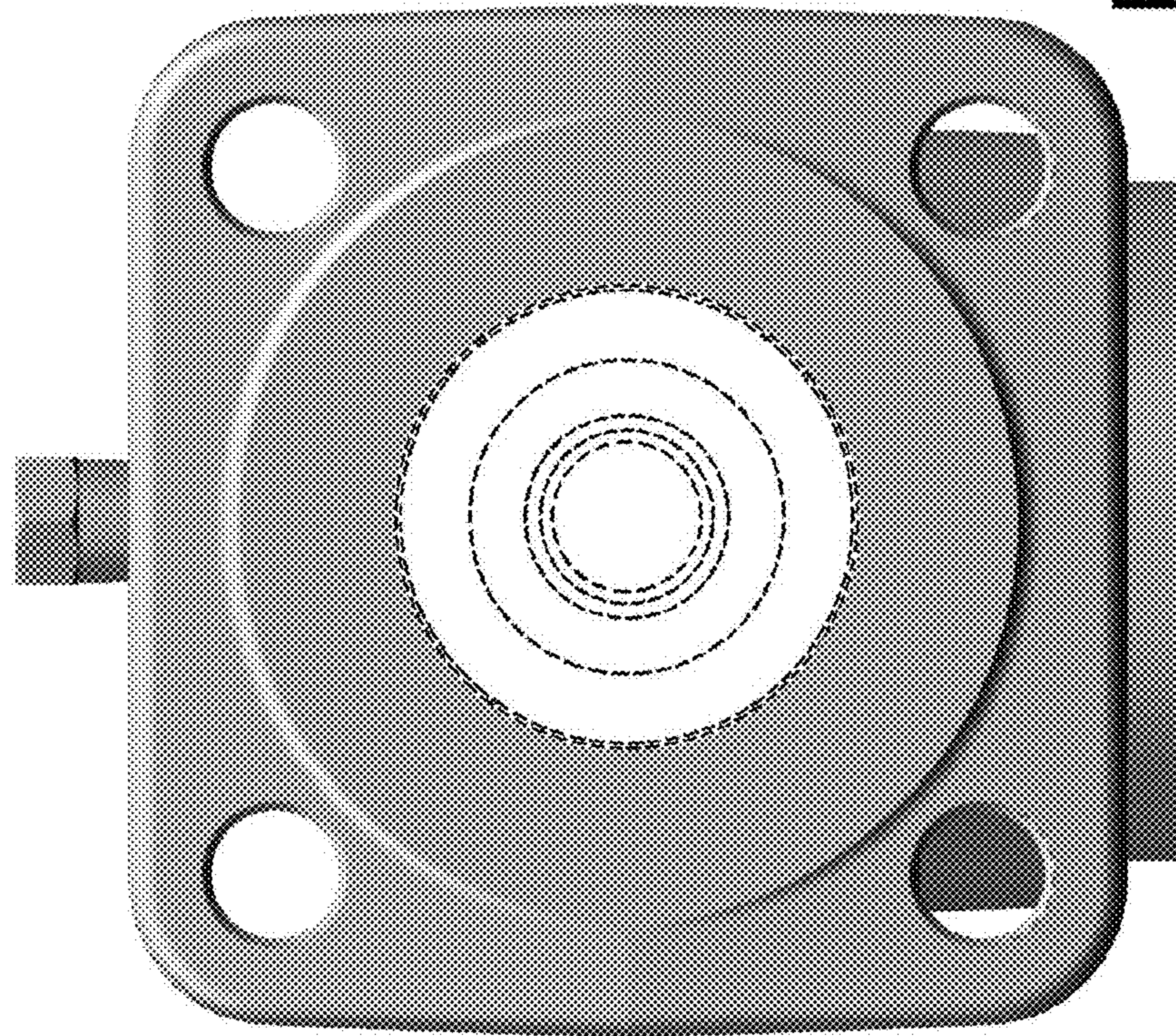


FIG.15

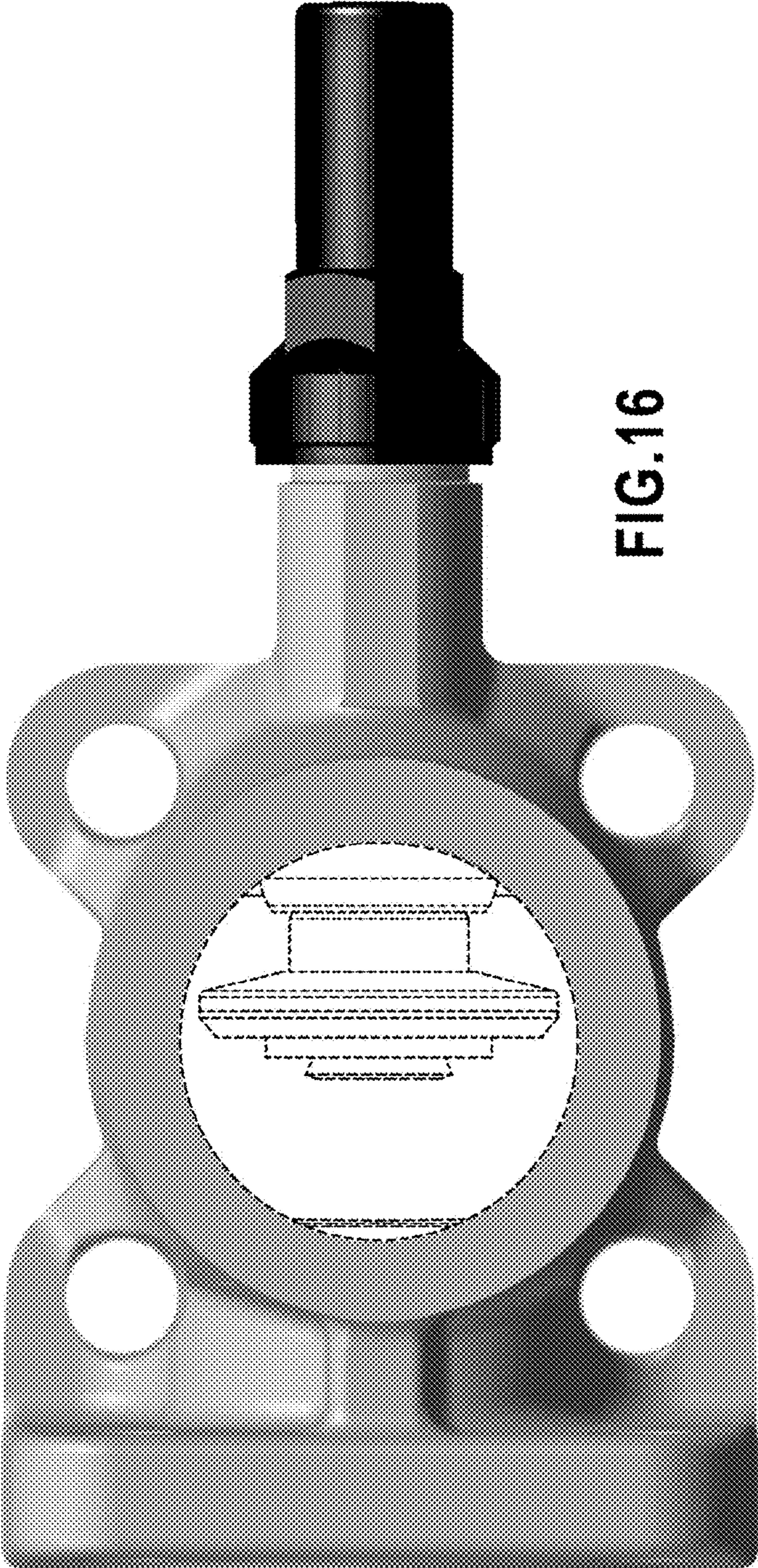


FIG. 16