



US00D954176S

(12) **United States Design Patent**
Shang

(10) **Patent No.:** **US D954,176 S**
(45) **Date of Patent:** **** Jun. 7, 2022**

(54) **FAUCET HEAD**

(71) Applicant: **Li Shang**, Nanyang (CN)

(72) Inventor: **Li Shang**, Nanyang (CN)

(**) Term: **15 Years**

(21) Appl. No.: **29/784,306**

(22) Filed: **May 19, 2021**

(51) **LOC (13) Cl.** **23-01**

(52) **U.S. Cl.**
USPC **D23/213**

(58) **Field of Classification Search**
USPC D23/213, 214, 215, 223, 224, 226, 229,
D23/230
CPC A61H 9/0021; A61H 33/00; B05B 1/00;
B05B 1/14; B05B 1/185; B05B 1/08;
B05B 1/02; B05B 1/26; B05B 12/002;
B05B 1/18; B05B 9/01

See application file for complete search history.

(56) **References Cited**

U.S. PATENT DOCUMENTS

3,358,934	A	*	12/1967	Moen	E03C 1/084
						239/443
D293,708	S	*	1/1988	Shames	D23/230
D674,877	S	*	1/2013	Jones	D23/213
D676,525	S	*	2/2013	Jones	D23/213
D853,524	S		7/2019	Song et al.		
D868,936	S	*	12/2019	Schurle	D23/213
D905,820	S	*	12/2020	Wei	D23/213
D914,843	S		3/2021	Zhang		
D933,776	S	*	10/2021	Blum	D23/213
D944,920	S	*	3/2022	Lai	D23/213
D944,921	S	*	3/2022	Lai	D23/213
D944,922	S	*	3/2022	Lai	D23/213

OTHER PUBLICATIONS

Faucet Aerator|720°Universal Rotate Splash Filter Faucet, Nov. 4, 2020 <https://www.amazon.ca/Aerator-720%C2%B0Universal-Rotatable-Sprayer-Attachment/dp/B08MF2VCFJ/> (Year: 2020).*

720-degree Universal Faucet Filter Aerator Solid Brass, Feb. 7, 2021, amazon.ca, Jan. 27, 2022, URL: <https://www.amazon.ca/dp/B08W3VLJ5F/> (Year: 2021).*

Waternymph Hibbent Dual-Function 2-Flow Faucet Aerator, 360-Degree Swivel Aerator, Oct. 21, 2016, amazon.ca, Apr. 20, 2022, URL: <https://www.amazon.ca/dp/B01LCPXAKS/> (Year: 2016).*

SAMODRA Kitchen Faucet Aerator Angle Adjustable 2 Spray Function, May 22, 2020, amazon.ca, Apr. 20, 2022, URL: <https://www.amazon.ca/dp/B0888PD1JV/> (Year: 2020).*

360°Swivel Faucet Aerator, Waternymph Kitchen Sink Faucet Aerator, Oct. 31, 2019, amazon.ca, Apr. 20, 2022, URL: <https://www.amazon.ca/360%C2%B0Swivel-Waternymph-Brass-Dual-Function-Attachment/dp/B07YZ5WG21/> (Year: 2019).*

* cited by examiner

Primary Examiner — Jack Reickel

Assistant Examiner — Keith J Wilson

(57) **CLAIM**

The ornamental design for a faucet head, as shown and described.

DESCRIPTION

FIG. 1 is a perspective view of a faucet head showing my new design;

FIG. 2 is another perspective view thereof;

FIG. 3 is a front elevational view thereof;

FIG. 4 is a rear elevational view thereof;

FIG. 5 is a left side elevational view thereof;

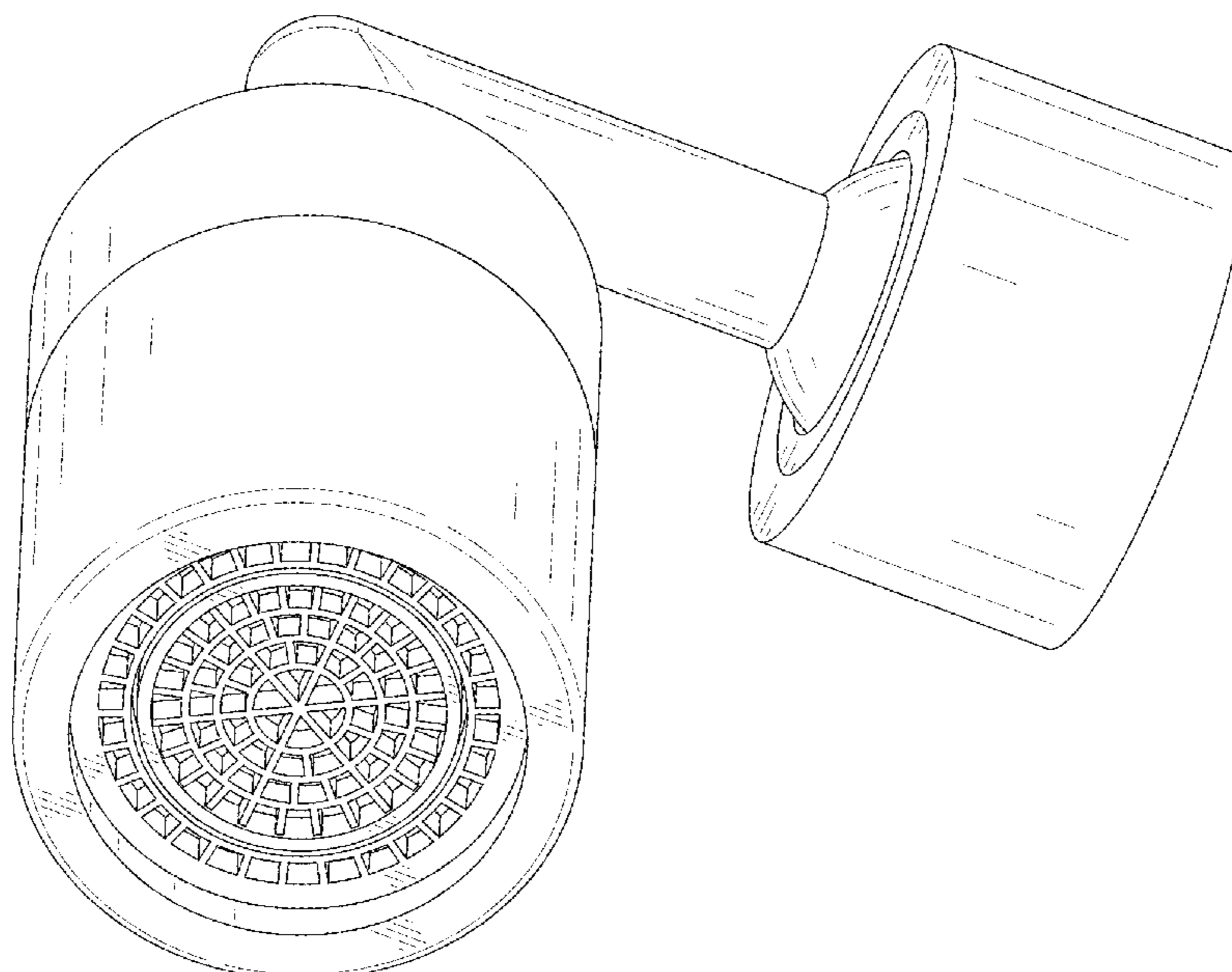
FIG. 6 is a right side elevational view thereof;

FIG. 7 is a top plan view thereof; and,

FIG. 8 is a bottom plan view thereof.

The broken lines in the drawings depict portions of the faucet head that form no part of the claimed design.

1 Claim, 8 Drawing Sheets



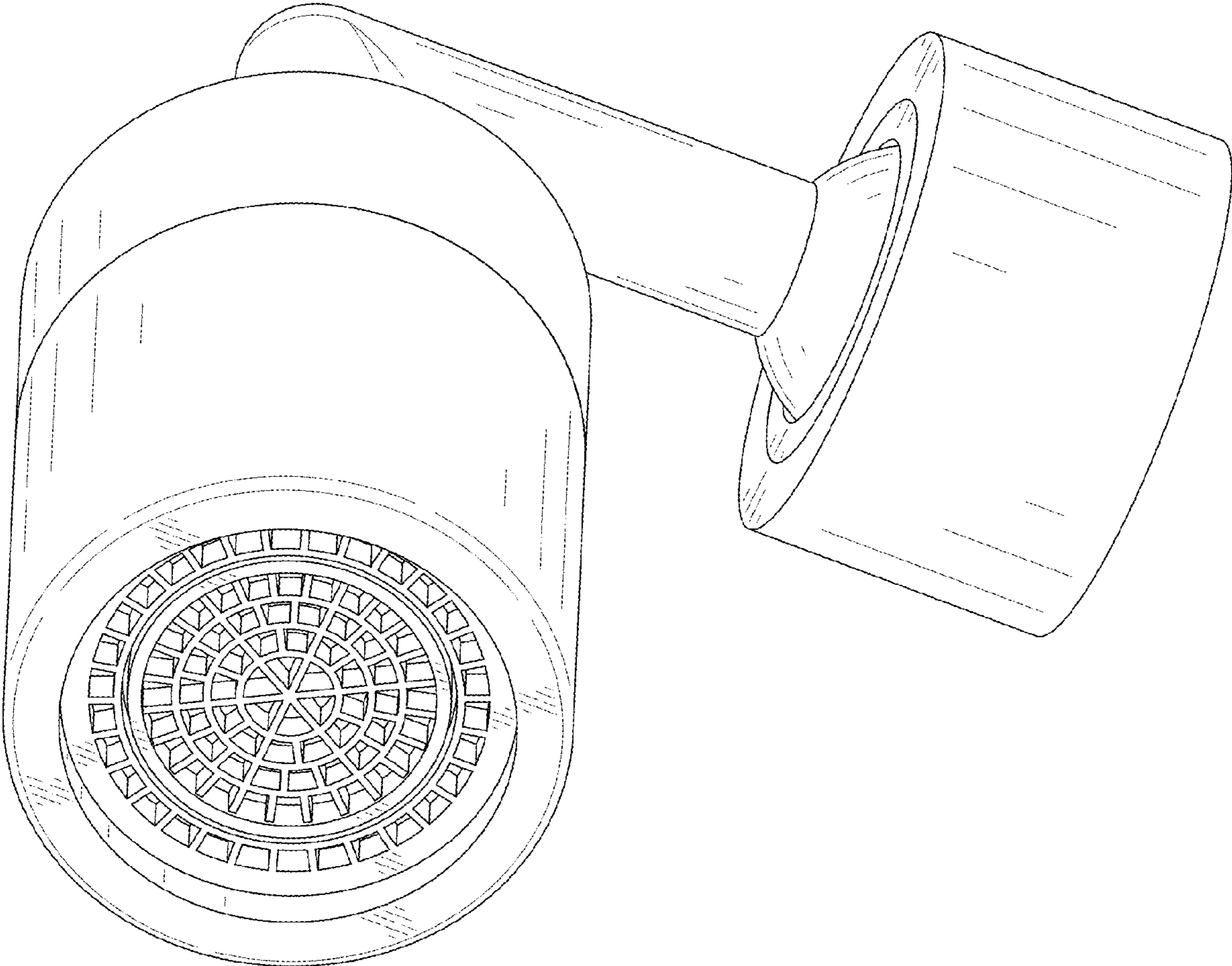


FIG. 1

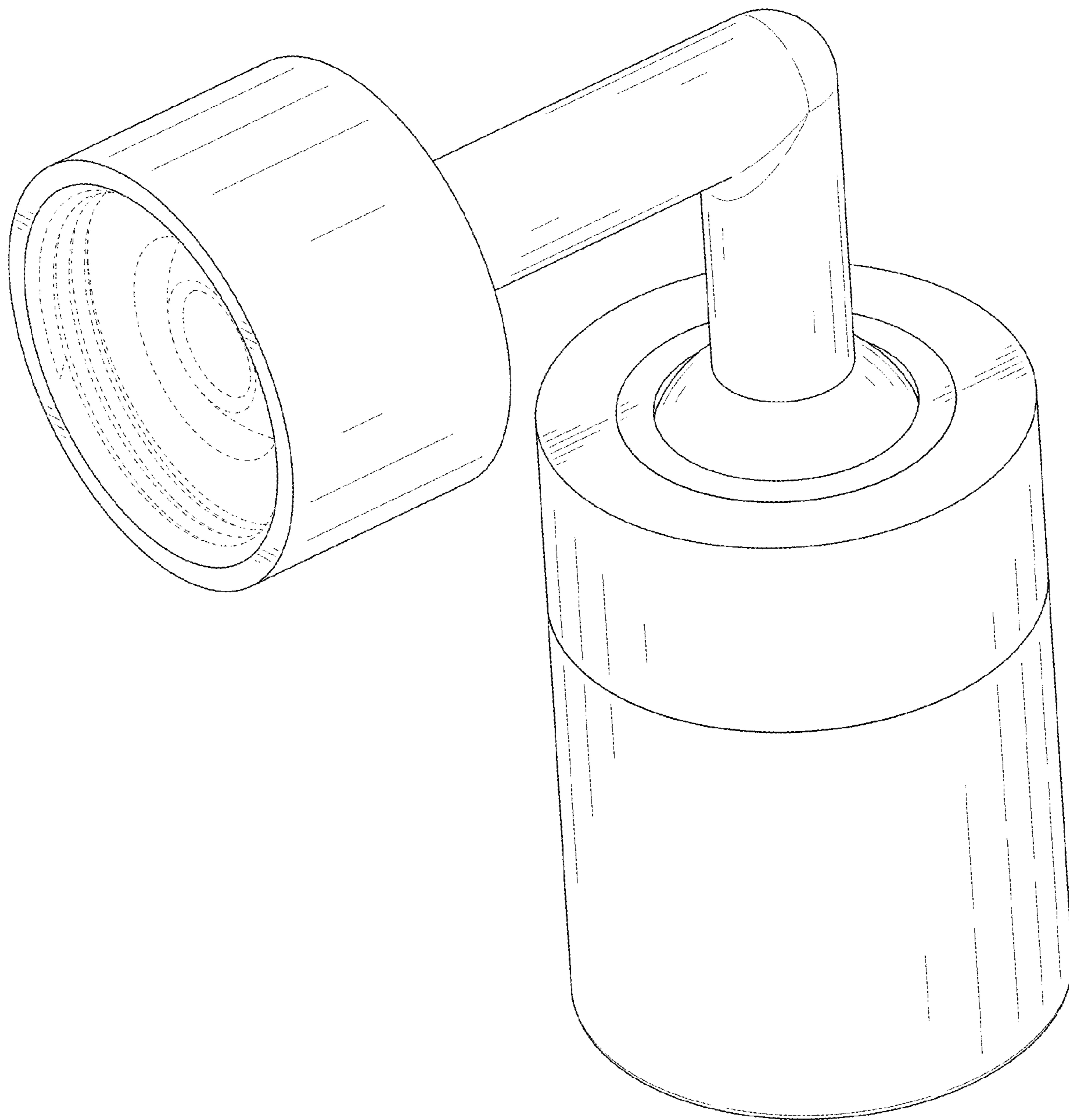


FIG. 2

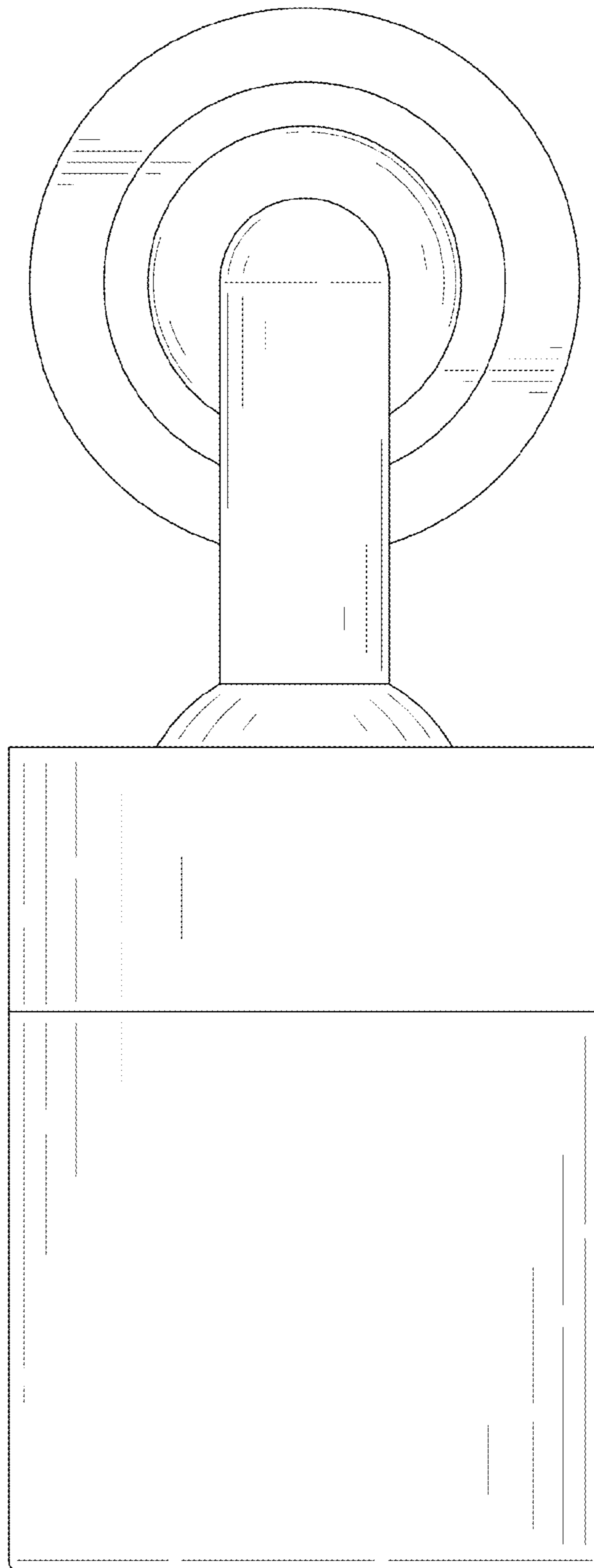


FIG. 3

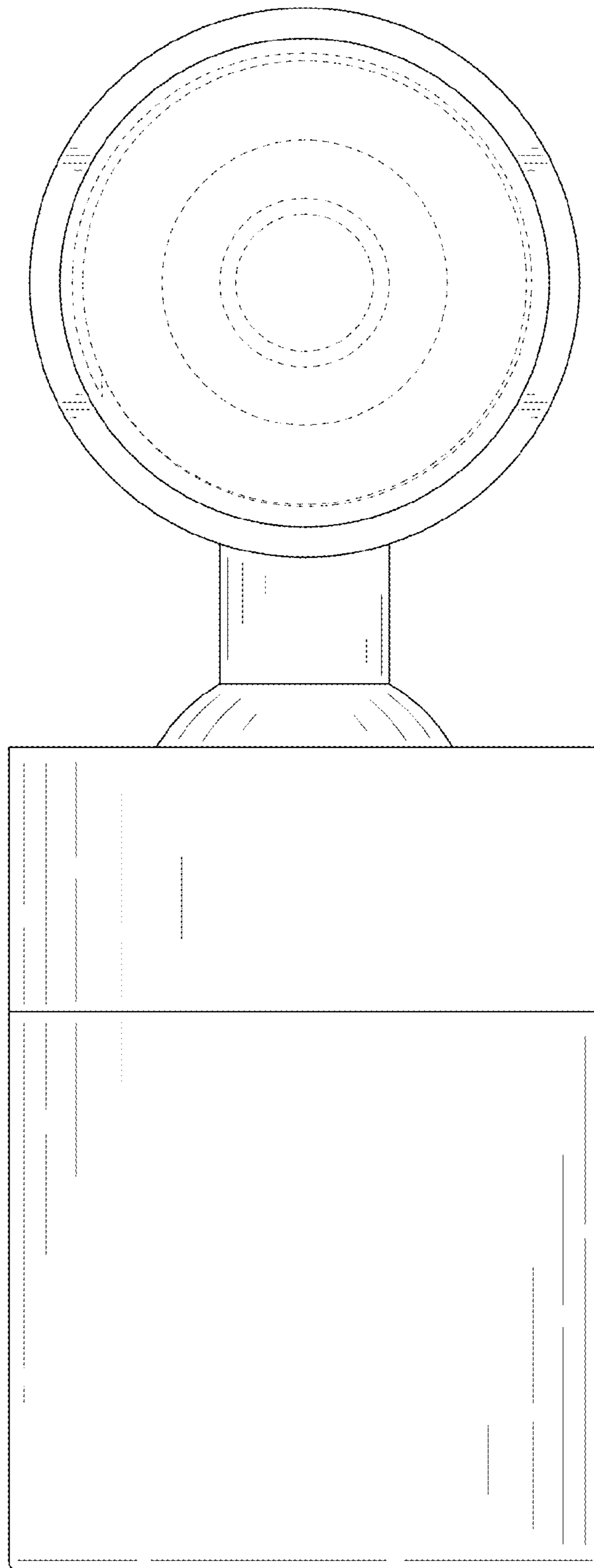


FIG. 4

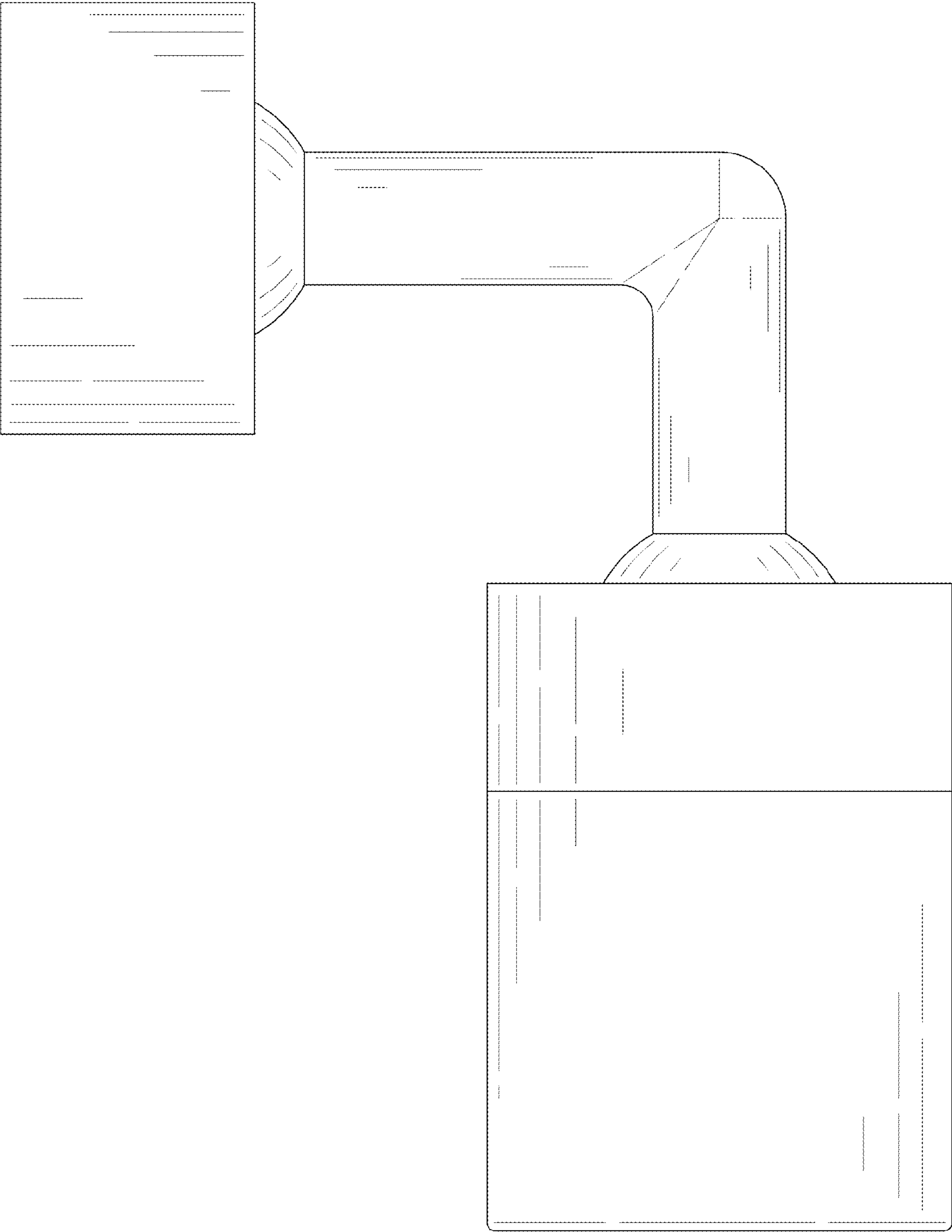


FIG. 5

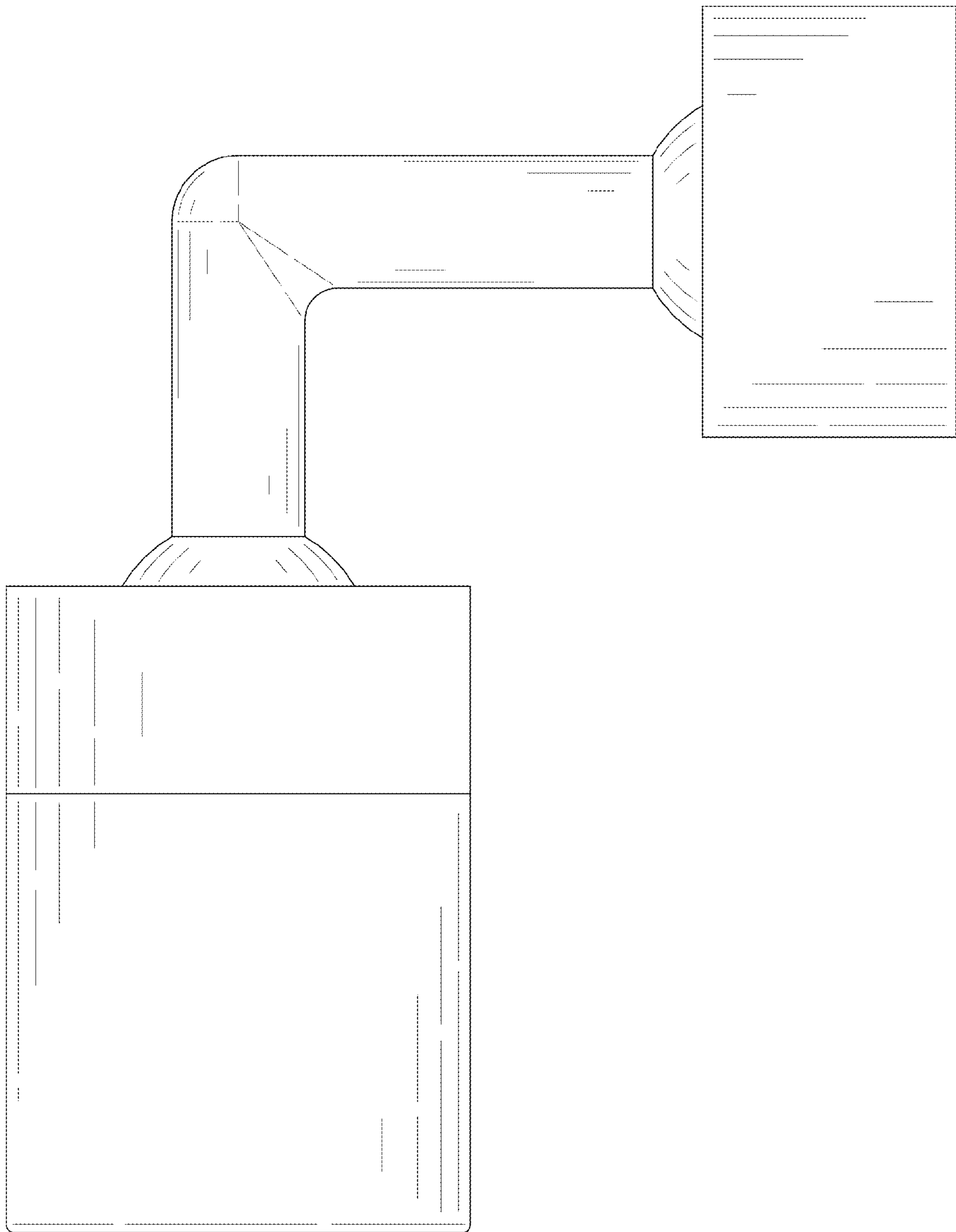


FIG. 6

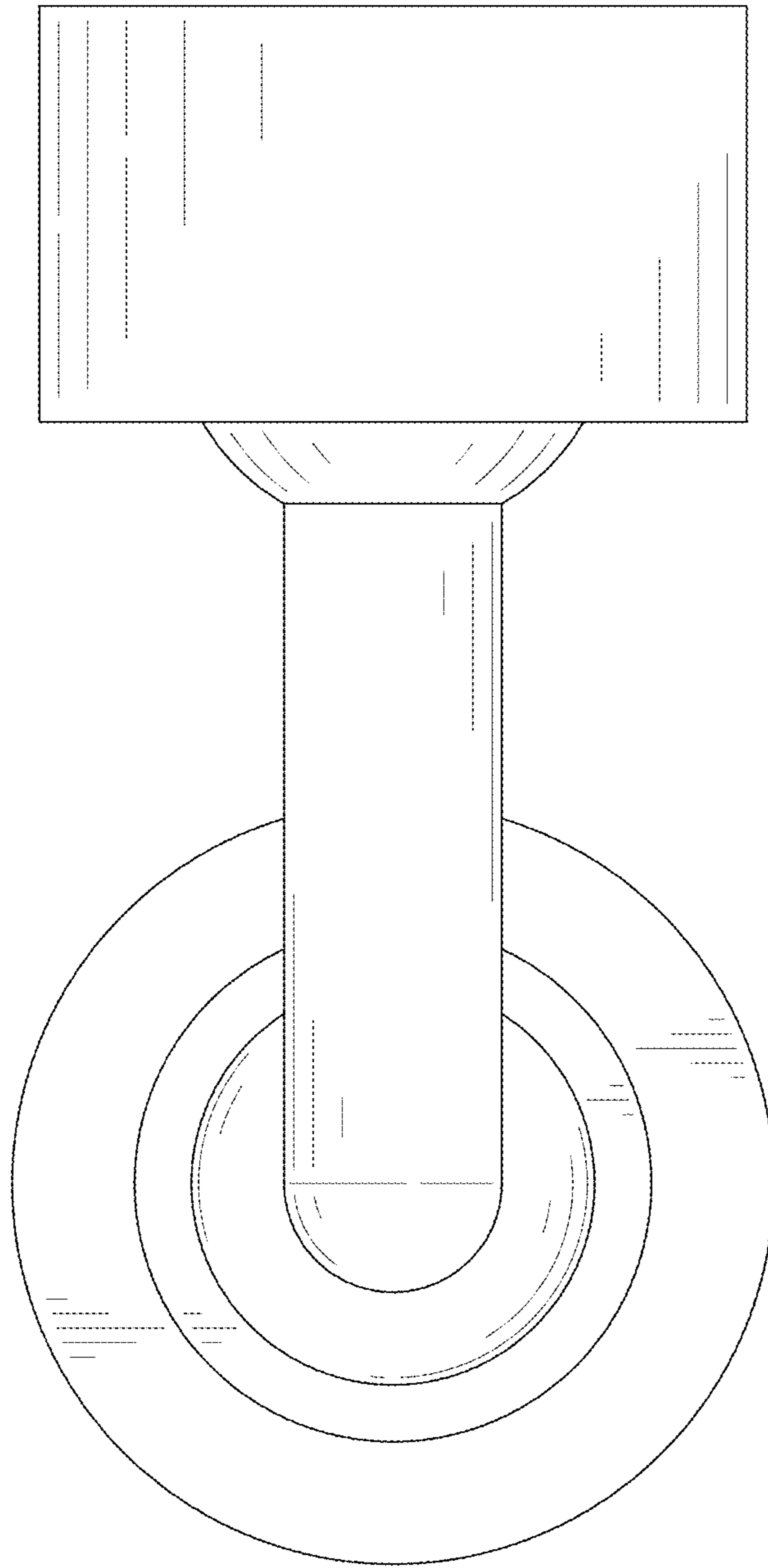


FIG. 7

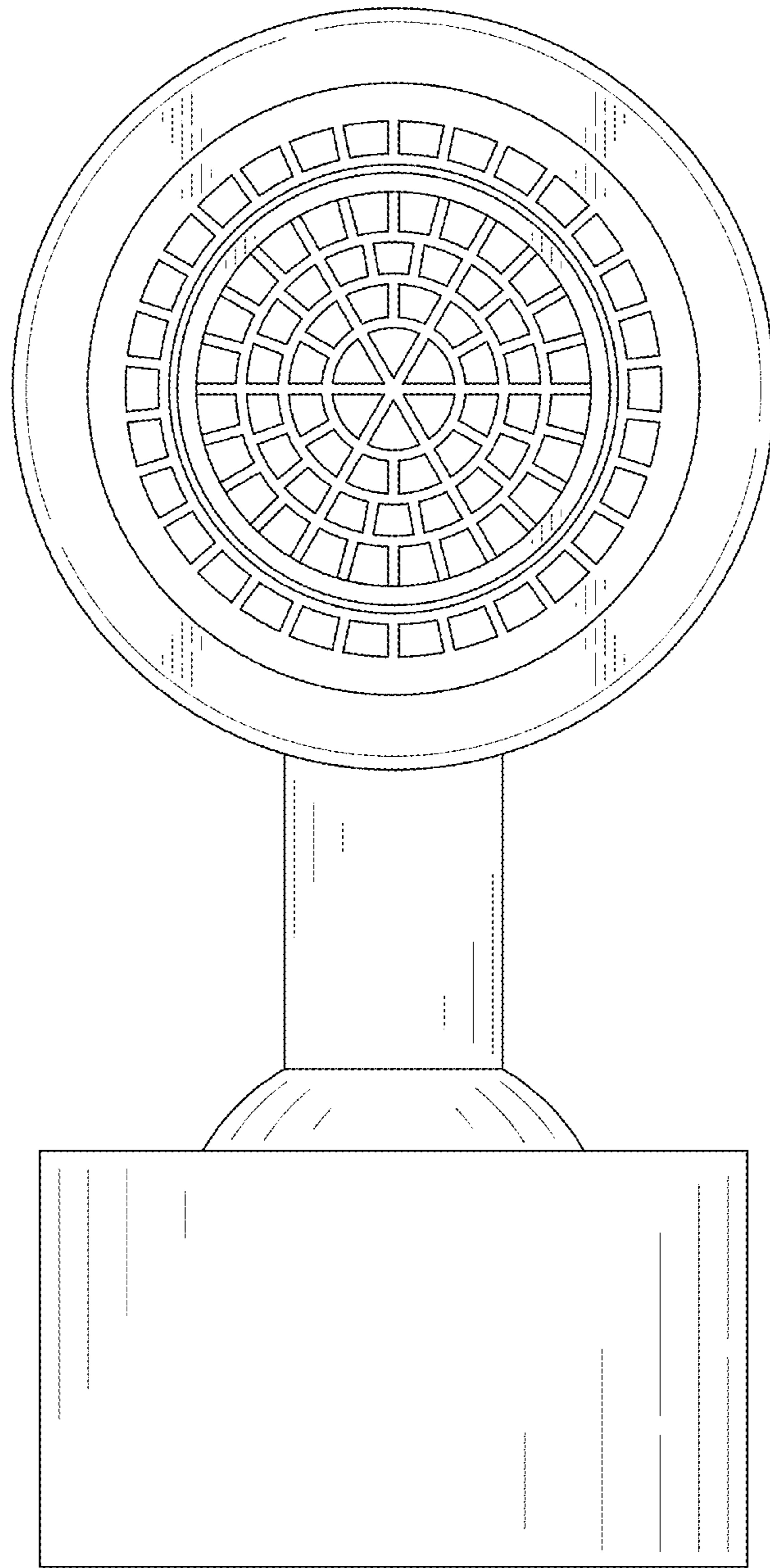


FIG. 8