



US00D954175S

(12) **United States Design Patent** (10) **Patent No.:** **US D954,175 S**  
**Lesniak** (45) **Date of Patent:** **\*\* Jun. 7, 2022**

(54) **FLYING INSECT TRAP**  
(71) Applicant: **Enterprises of CC, Inc.**, Media, PA (US)  
(72) Inventor: **Frank M. Lesniak**, Media, PA (US)  
(73) Assignee: **Enterprises of CC, Inc.**, Media, PA (US)  
(\*\*) Term: **15 Years**

4,706,410 A 11/1987 Briese  
4,873,787 A 10/1989 Schneidmiller  
4,899,485 A 2/1990 Schneidmiller  
5,392,558 A 2/1995 Blomquist  
6,360,477 B1 3/2002 Flashinski  
D470,758 S 2/2003 Bakersmith  
D563,797 S 3/2008 McMorris  
D724,954 S 3/2015 Niggemyer  
D812,710 S 3/2018 Lesniak  
D832,972 S 11/2018 Lesniak  
2004/0231229 A1 11/2004 Lenker  
(Continued)

(21) Appl. No.: **29/799,165**  
(22) Filed: **Jul. 13, 2021**

**OTHER PUBLICATIONS**

Black Flag Disposable Fly Trap, <http://www.blackflag.com/products/outdoor-products/disposable-fly-trap.aspx>, accessed Oct. 24, 2019.  
(Continued)

**Related U.S. Application Data**

(62) Division of application No. 29/772,970, filed on Mar. 5, 2021, now Pat. No. Des. 928,272, which is a division of application No. 29/710,568, filed on Oct. 24, 2019, now Pat. No. Des. 916,227.

*Primary Examiner* — Catherine R Oliver-Garcia  
(74) *Attorney, Agent, or Firm* — Rogowski Law LLC

(51) **LOC (13) Cl.** ..... **22-06**  
(52) **U.S. Cl.**  
USPC ..... **D22/122**

(57) **CLAIM**

The ornamental design for a flying insect trap, as shown and described.

(58) **Field of Classification Search**  
USPC ..... D22/122; D9/708  
CPC ..... A01M 1/02; A01M 1/04; A01M 1/08;  
A01M 1/10; A01M 1/14; A01M 1/023;  
A01M 1/106; A01M 1/026; A01M 1/223;  
A01M 1/2016; A01M 17/002; A01M  
31/002; A01M 2200/012; A01M 29/12;  
A01M 29/16  
See application file for complete search history.

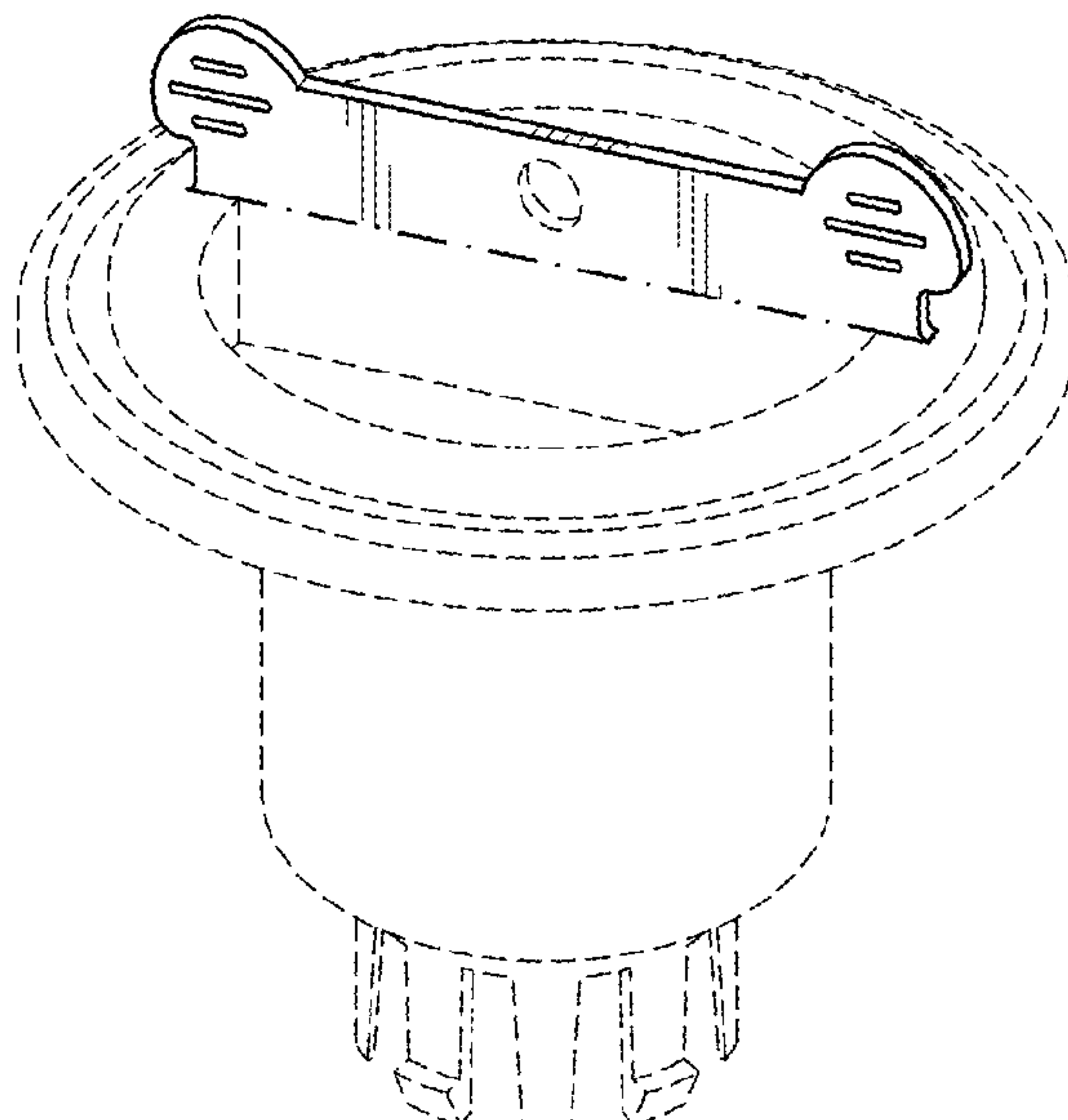
**DESCRIPTION**

FIG. 1 is a right front perspective view of a flying insect trap;  
FIG. 2 is a front elevation view thereof;  
FIG. 3 is a rear elevation view thereof;  
FIG. 4 is a top plan view thereof;  
FIG. 5 is a bottom plan view thereof;  
FIG. 6 is a left side elevation view thereof; and,  
FIG. 7 is a right side elevation view thereof.  
The broken line showing of portions of the flying insect trap are included for the purpose of illustrating only and forms no part of the claimed design.  
The dash dot dash broken line(s) define the bounds of the claimed design and form no part thereof.

(56) **References Cited**  
U.S. PATENT DOCUMENTS

D206,592 S 1/1967 Randle  
D256,833 S 9/1980 Seidenberger  
D256,834 S 9/1980 Seidenberger  
D258,517 S 3/1981 Seidenberger

**1 Claim, 2 Drawing Sheets**



(56)

**References Cited**

U.S. PATENT DOCUMENTS

2006/0042154 A1 3/2006 Rich  
2014/0259877 A1 9/2014 Singleton et al.  
2020/0113164 A1\* 4/2020 Zamboni ..... A01M 1/06  
2021/0137091 A1\* 5/2021 Dolshun ..... A01M 1/106

OTHER PUBLICATIONS

Rescue! Outdoor Disposable Hanging Fly Trap, 1 Trap, Earliest  
Review Jul. 30, 2011 . . . [https://www.walmart.com/ip/Rescue-  
Outdoor-Disposable-Hanging-Fly-Trap-1-Trap/17134651](https://www.walmart.com/ip/Rescue-Outdoor-Disposable-Hanging-Fly-Trap-1-Trap/17134651) (Year: 2011).

\* cited by examiner

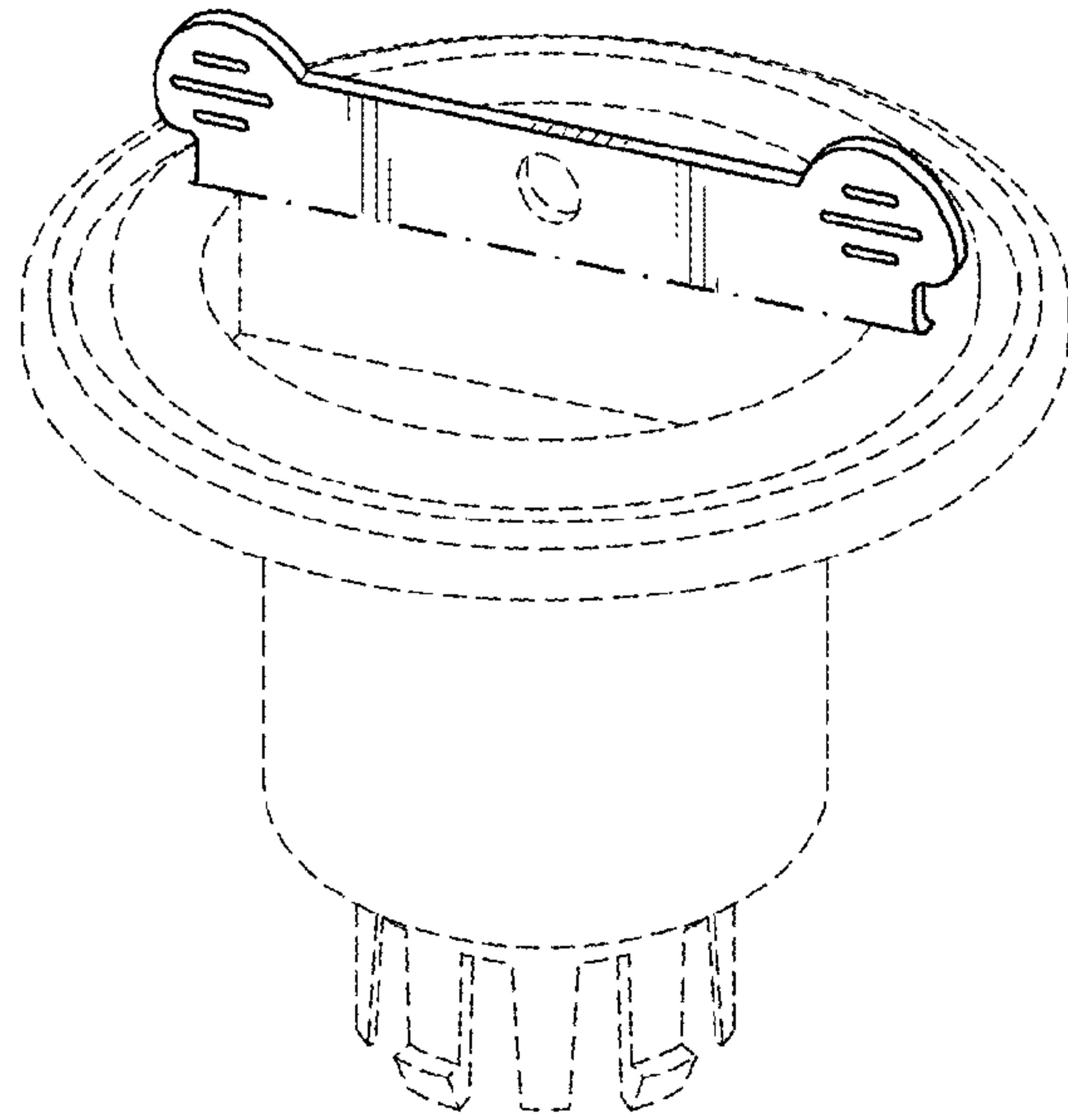


FIG. 1

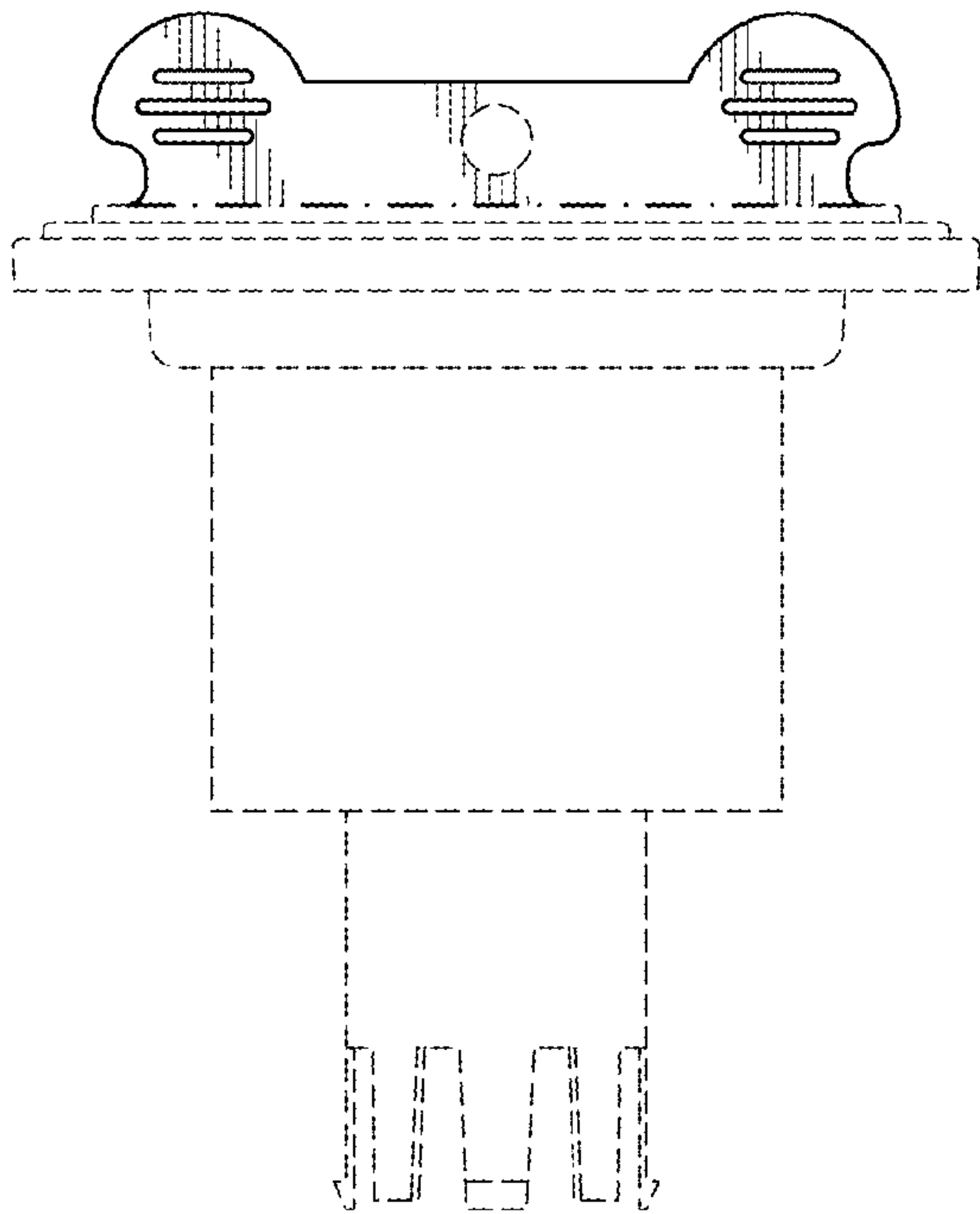


FIG. 2

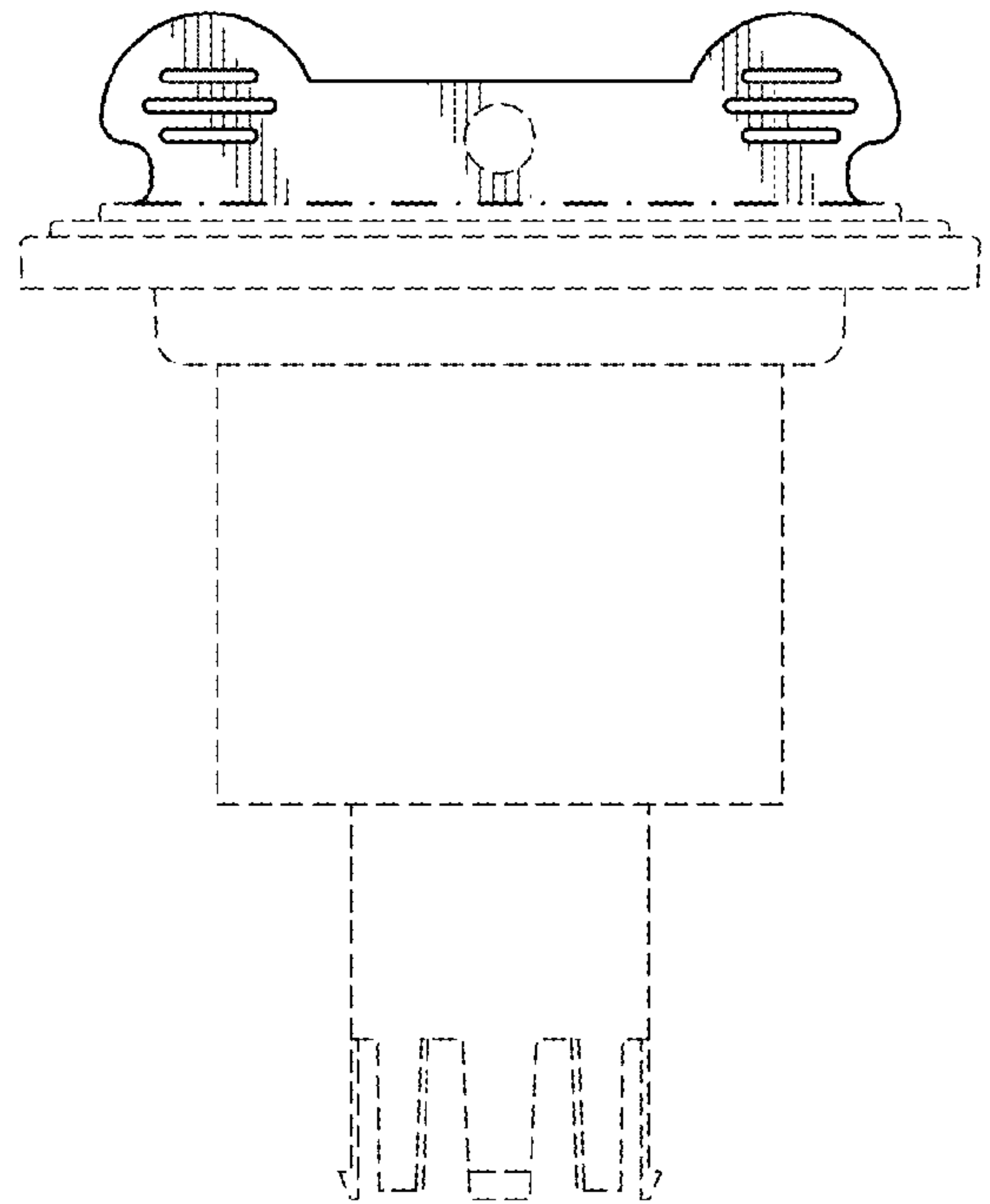


FIG. 3

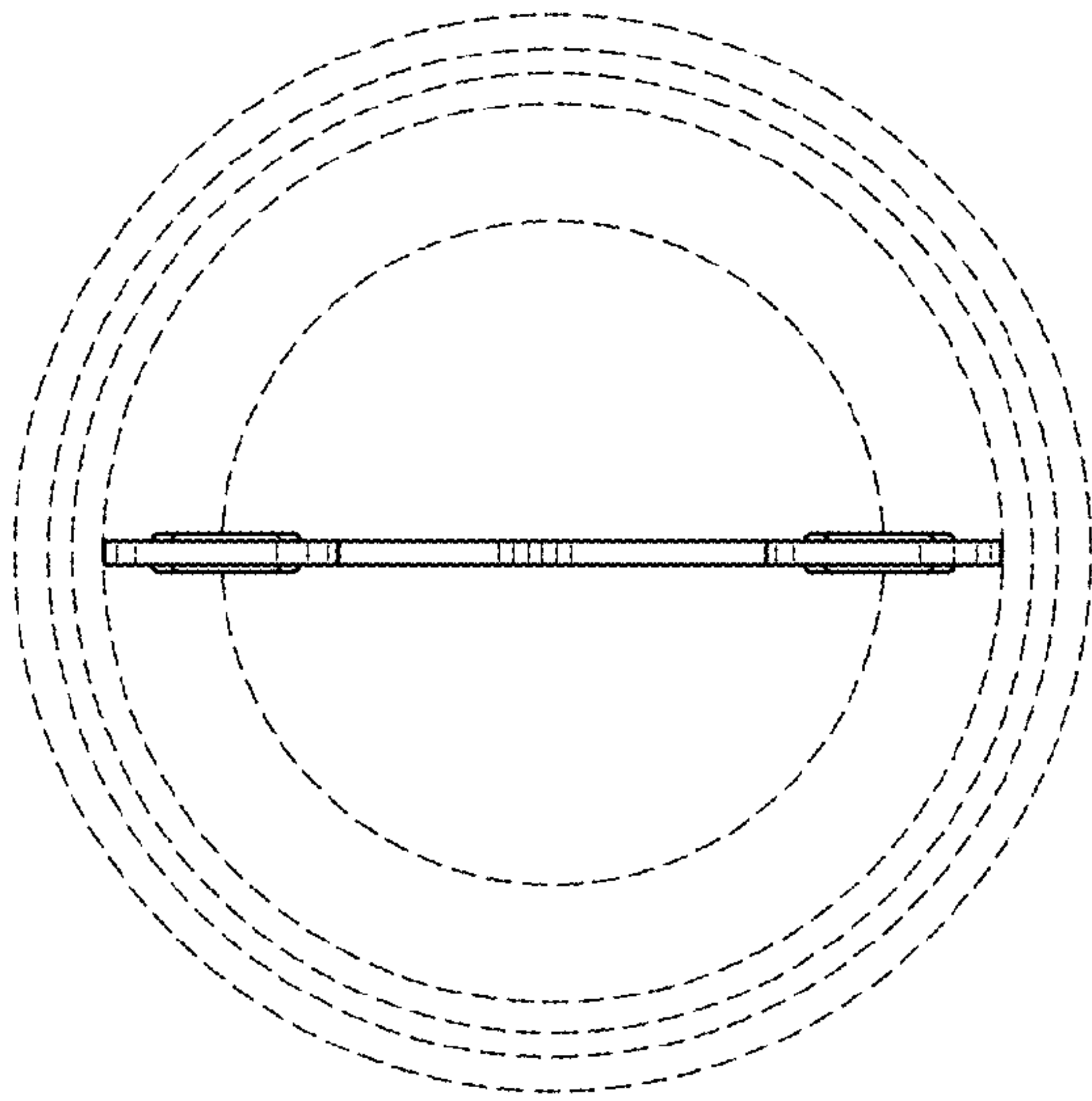


FIG. 4

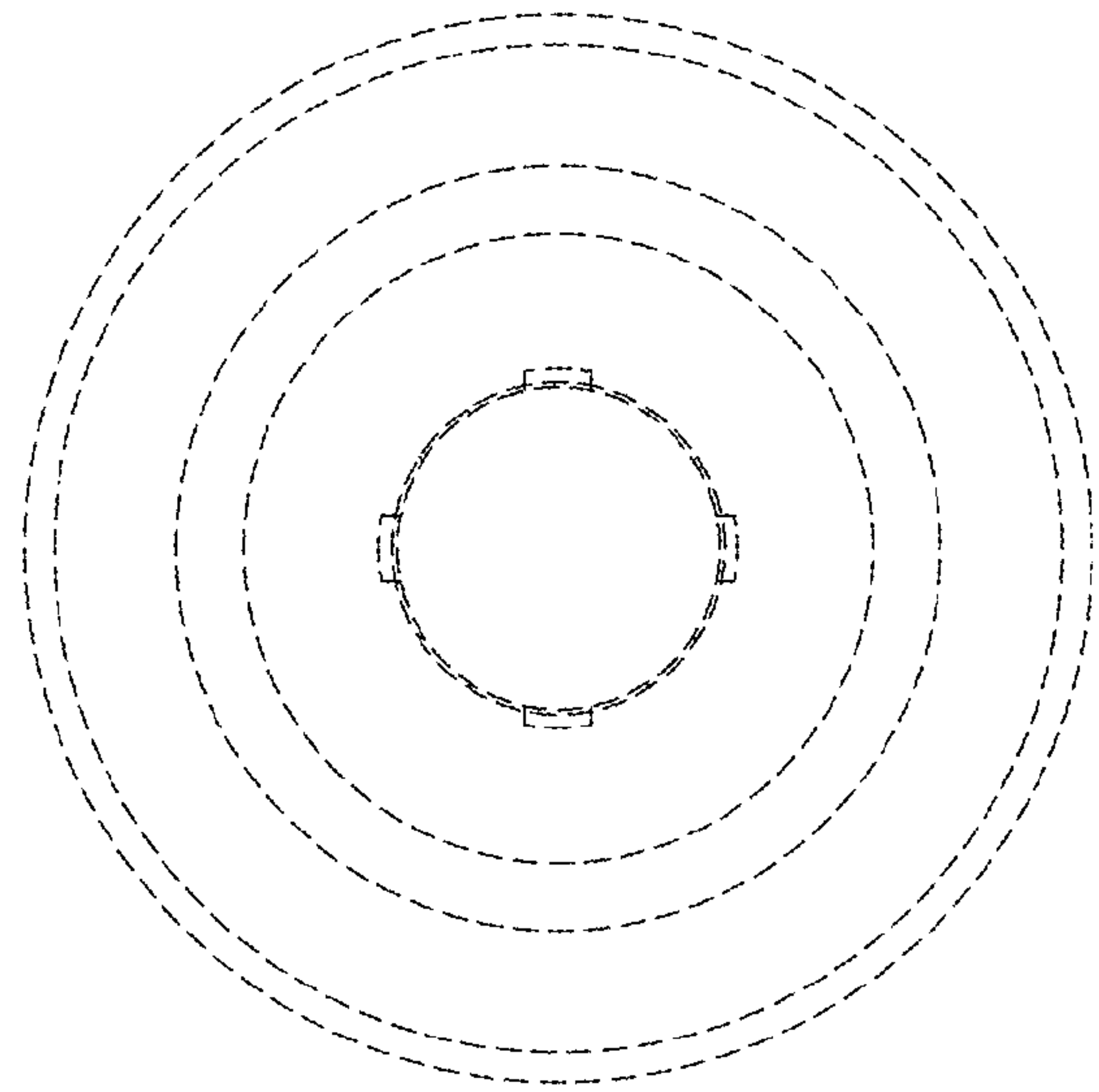


FIG. 5

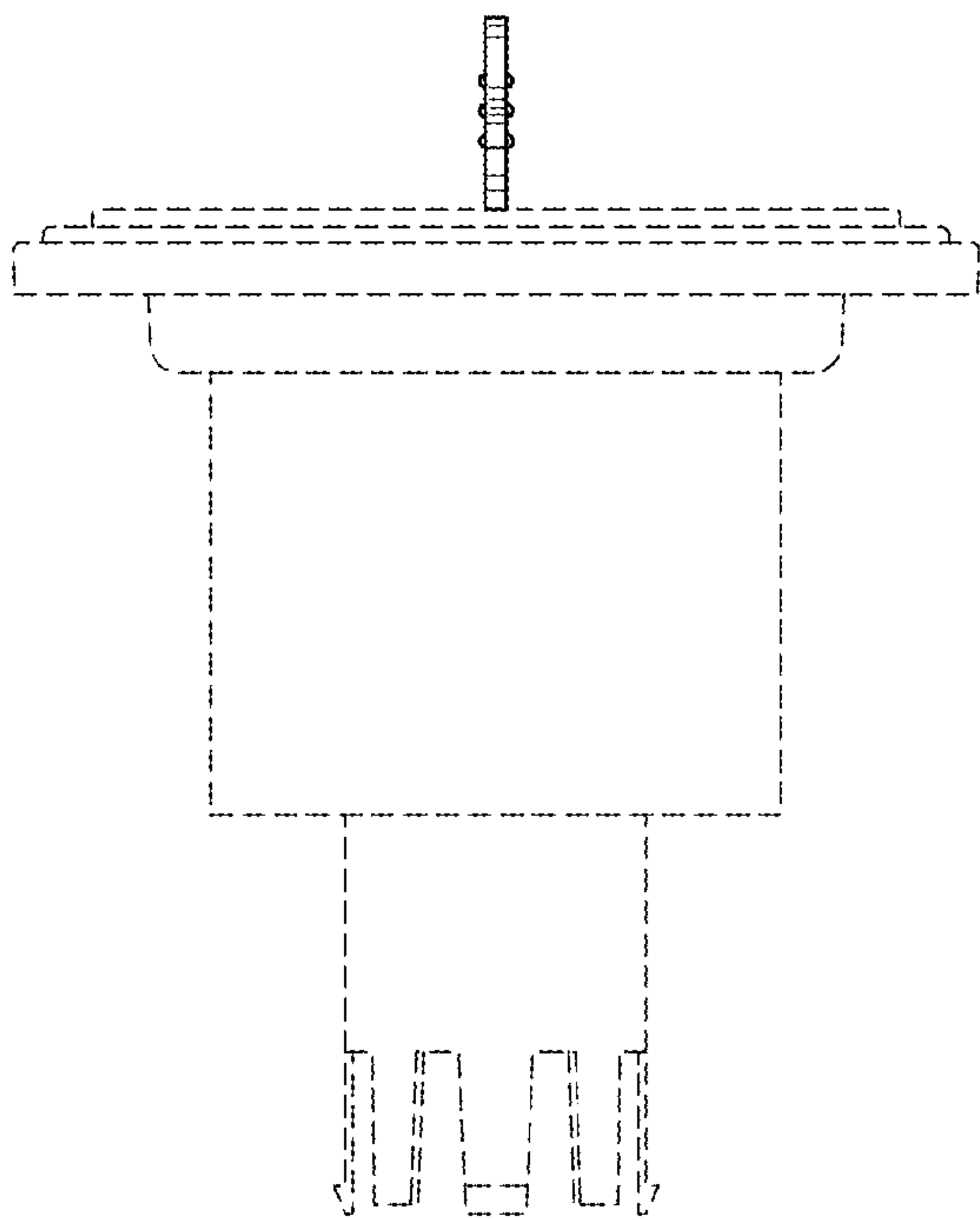


FIG. 6

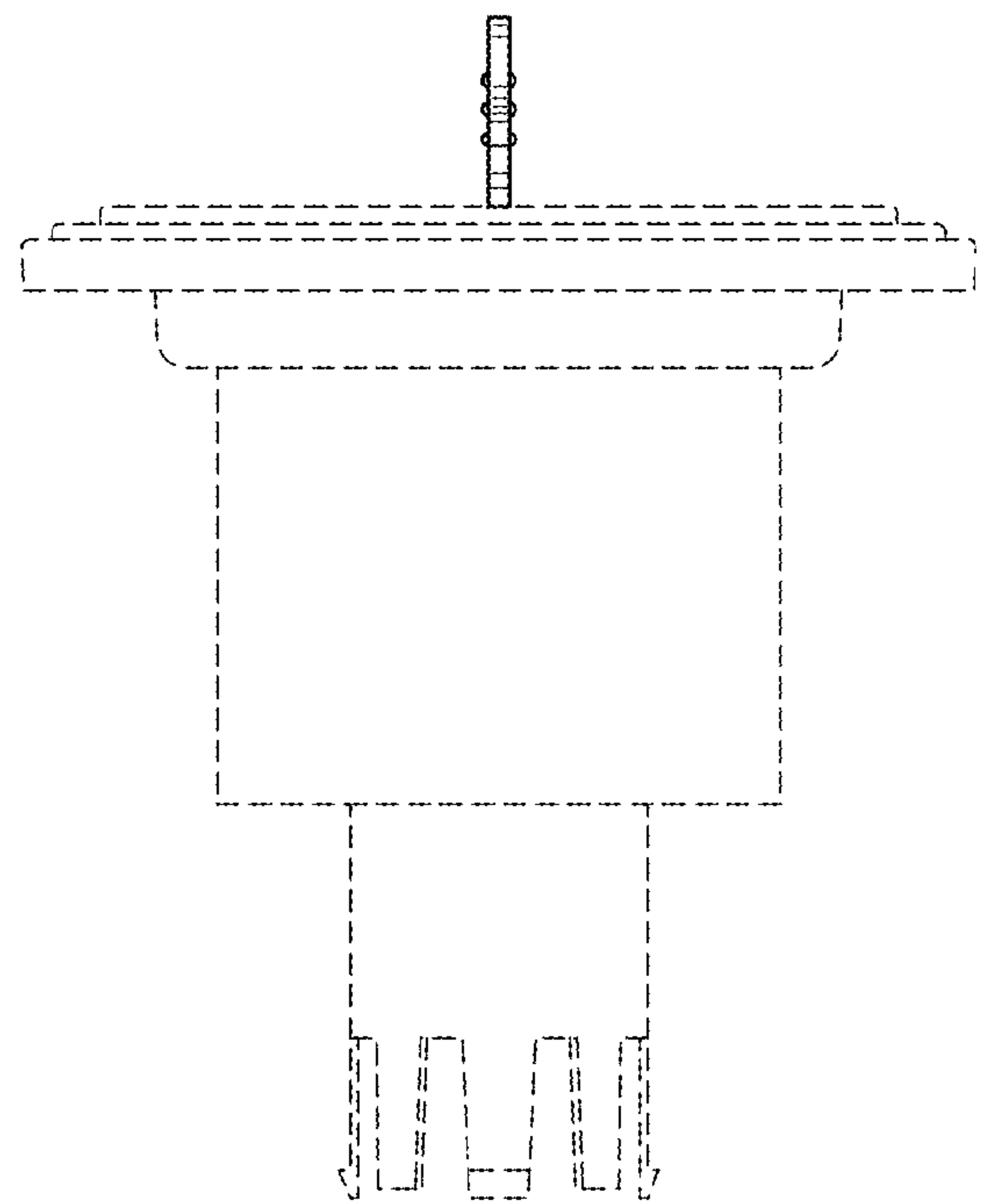


FIG. 7