



US00D954174S

(12) **United States Design Patent**
Seaton et al.

(10) **Patent No.:** **US D954,174 S**
(45) **Date of Patent:** **** Jun. 7, 2022**

- (54) **INSECT TRAP HOUSING**
- (71) Applicant: **Woodstream Corporation**, Lancaster, PA (US)
- (72) Inventors: **Robert Seaton**, Verona, WI (US);
Michael Adamson, Elizabethtown, PA (US)
- (73) Assignee: **Woodstream Corporation**, Lancaster, PA (US)
- (**) Term: **15 Years**
- (21) Appl. No.: **29/746,751**
- (22) Filed: **Aug. 17, 2020**
- (51) **LOC (13) Cl.** **22-06**
- (52) **U.S. Cl.**
USPC **D22/122**
- (58) **Field of Classification Search**
USPC D22/122-123; D26/37-38, 40
CPC A01M 1/02; A01M 1/04; A01M 1/106;
A01M 1/22; A01M 1/223; A01M 2200/012; A01M 3/02; A01M 3/022;
A01M 3/025; A01M 3/04
See application file for complete search history.

- D845,429 S * 4/2019 Rocha D22/122
- D846,059 S * 4/2019 Zhang D22/122
- D854,118 S * 7/2019 Chang D22/122
- 10,750,733 B1 * 8/2020 Garner B64D 47/08
- D929,810 S * 9/2021 Dash D7/590

FOREIGN PATENT DOCUMENTS

CN 201930256529.3 8/2019

* cited by examiner

Primary Examiner — Catherine R Oliver-Garcia

(74) *Attorney, Agent, or Firm* — Barley Snyder

(57) **CLAIM**

The ornamental design for an insect trap housing, as shown and described.

DESCRIPTION

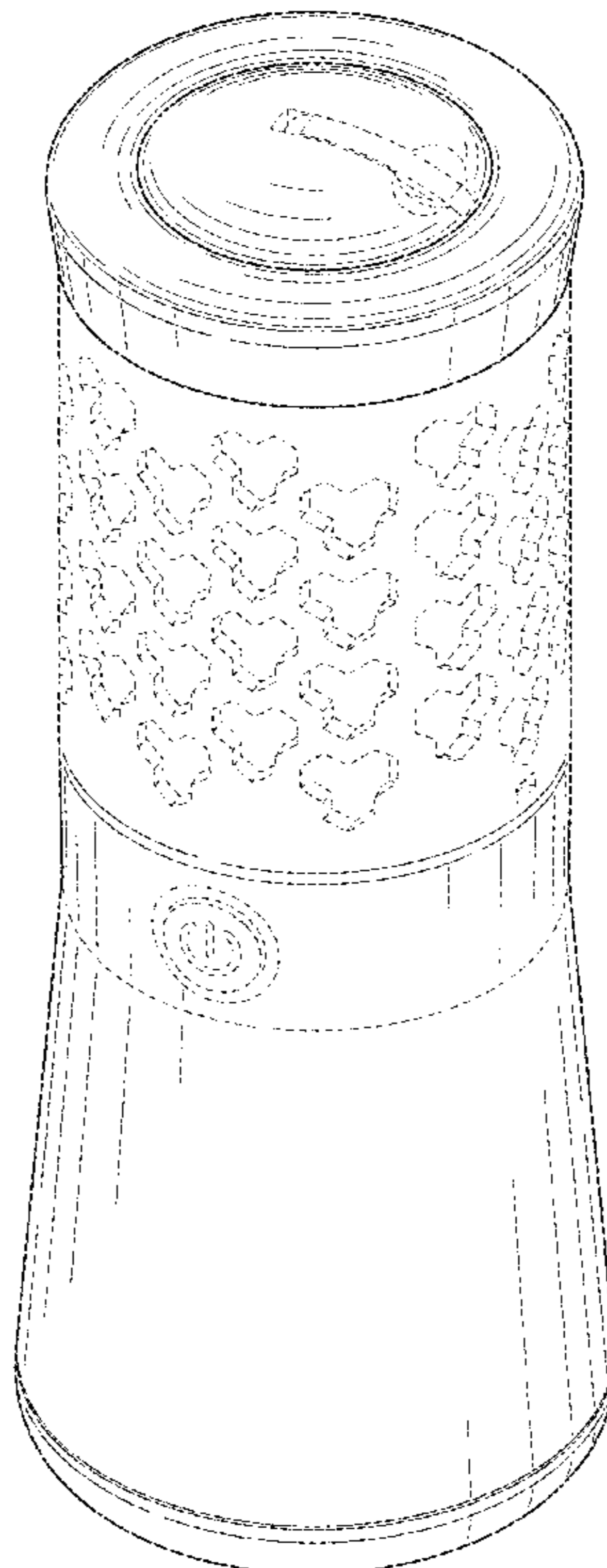
FIG. 1 is a top, front and right side isometric view of an insect trap housing, showing the new design;
 FIG. 2 is a bottom, rear and left side isometric view thereof;
 FIG. 3 is a front elevation view thereof;
 FIG. 4 is a rear elevation view thereof;
 FIG. 5 is a right side elevation view thereof;
 FIG. 6 is a left side elevation view thereof;
 FIG. 7 is a top plan view thereof; and,
 FIG. 8 is a bottom plan view of the insect trap housing.
 The broken lines showing portions of the insect trap housing is included for the purpose of illustrating only and forms no part of the claimed design.

(56) **References Cited**

U.S. PATENT DOCUMENTS

- D115,820 S * 7/1939 Keim D22/122
- D761,932 S * 7/2016 Zhang D22/122
- D818,558 S * 5/2018 Wang D22/122
- D831,782 S * 10/2018 Zhang D22/122

1 Claim, 5 Drawing Sheets



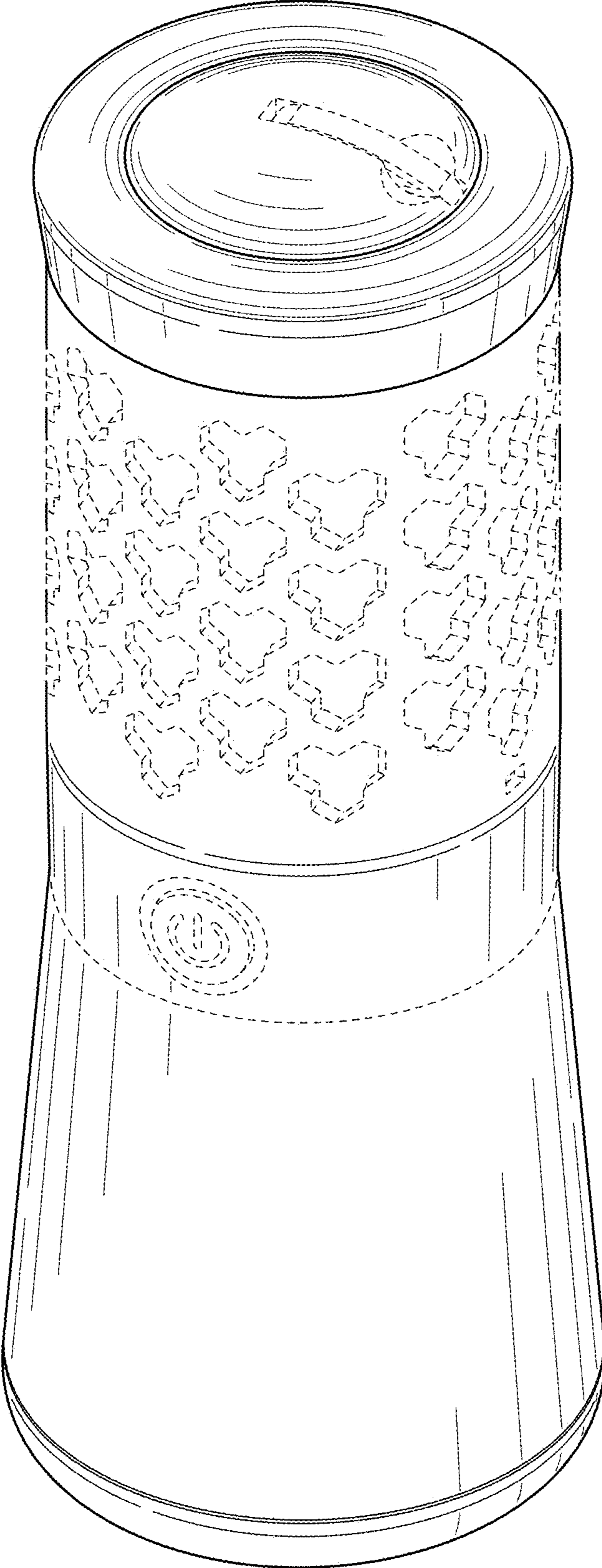


FIG. 1

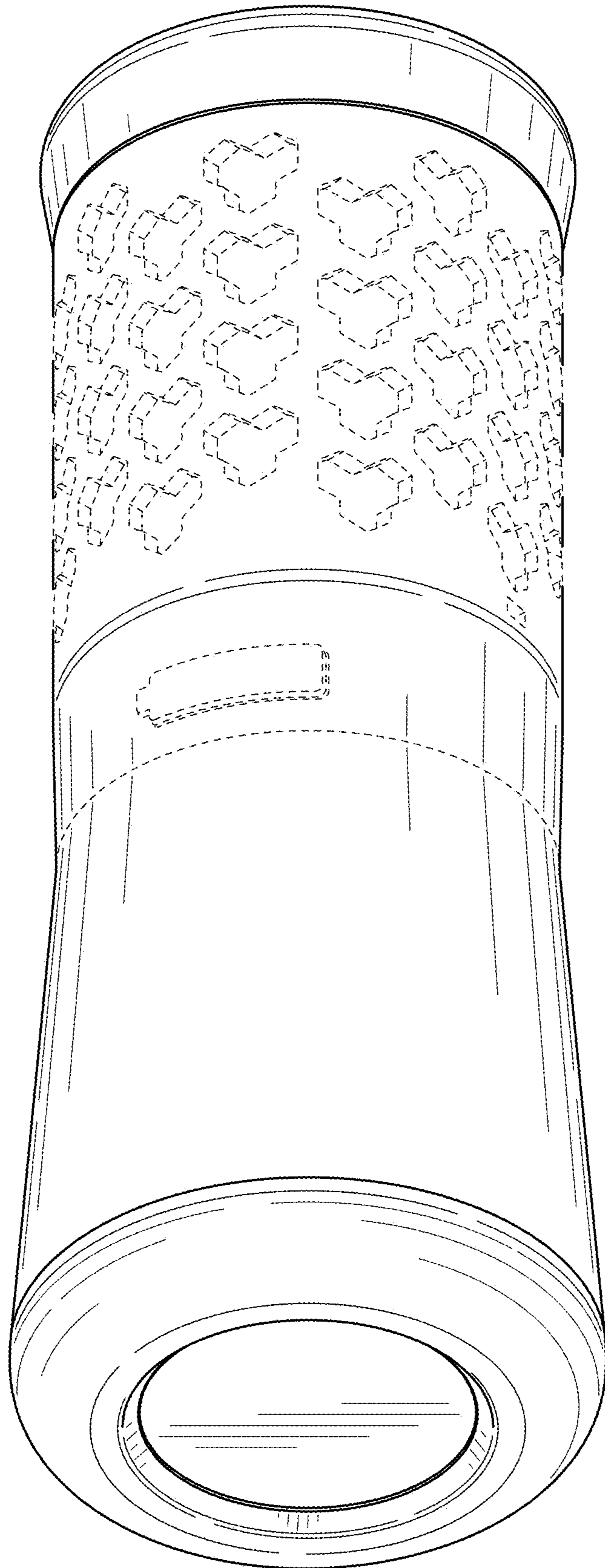


FIG. 2

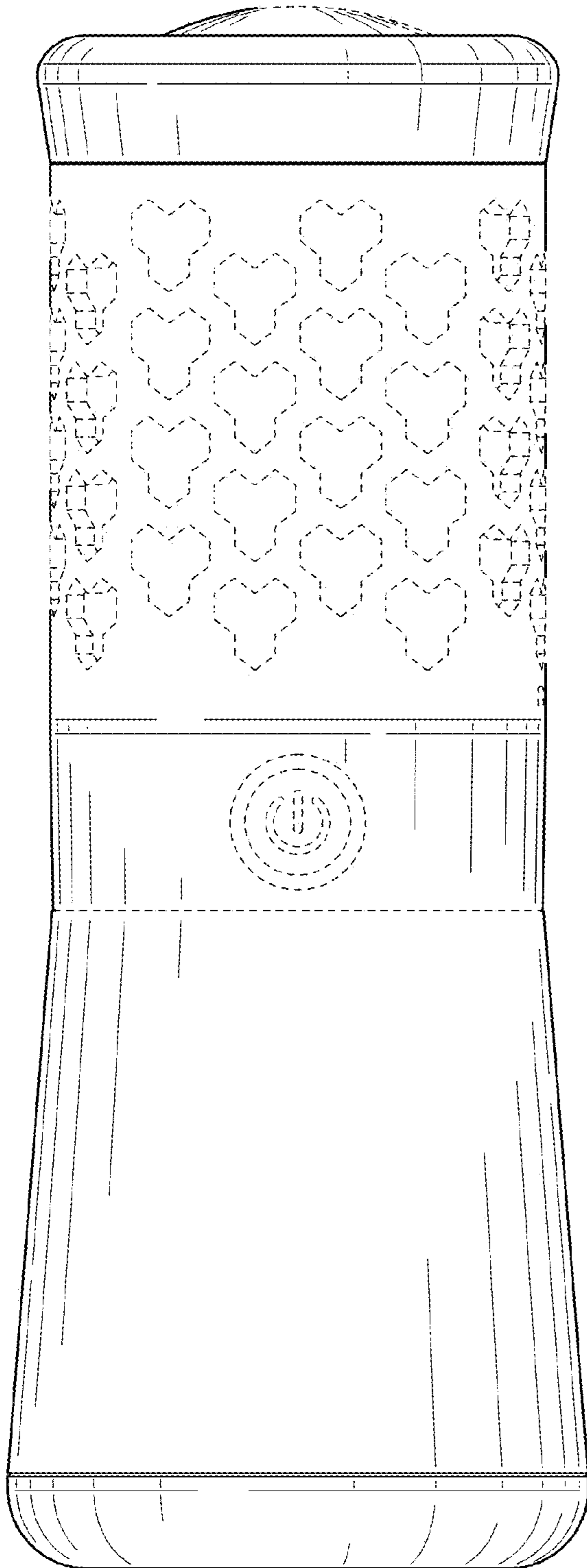


FIG. 3

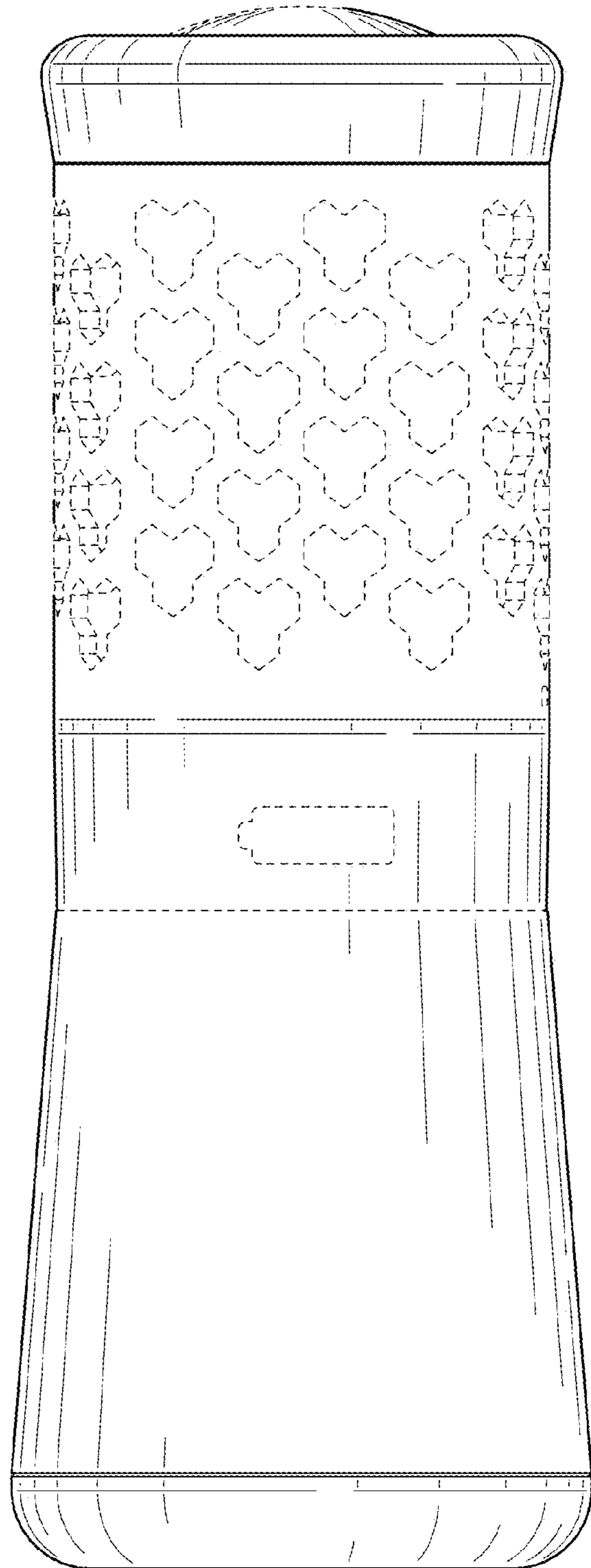


FIG. 4

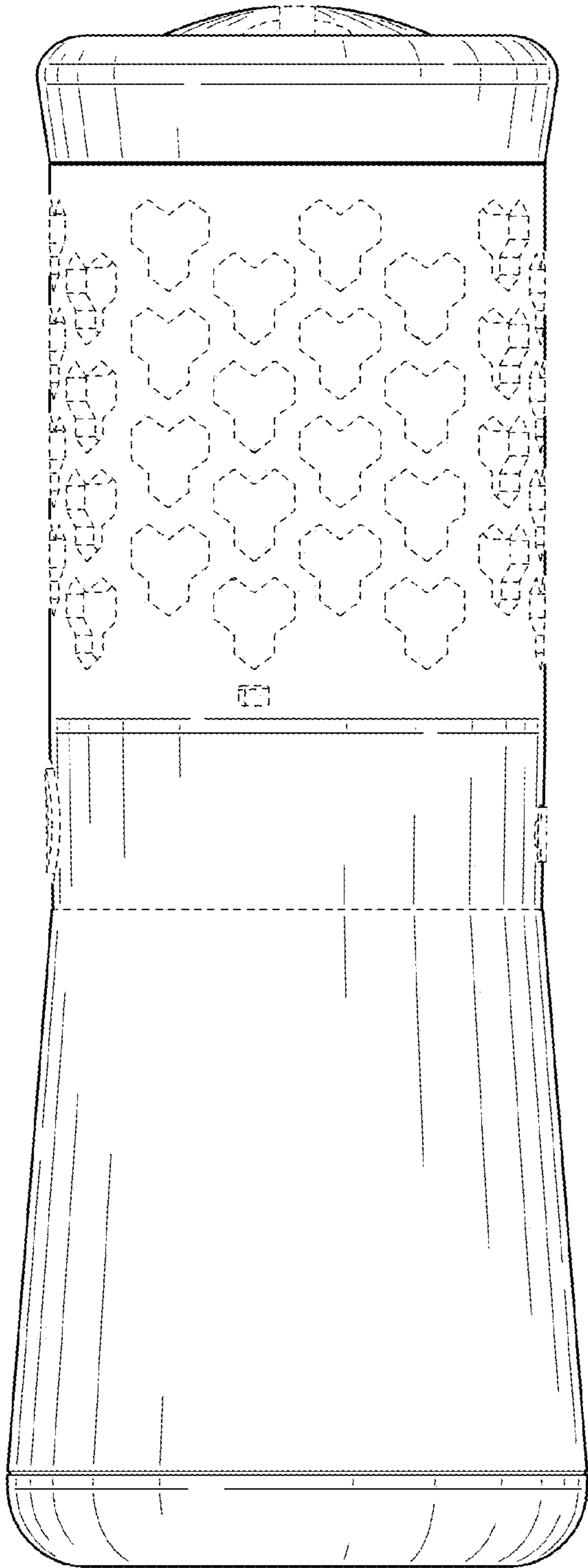


FIG. 5

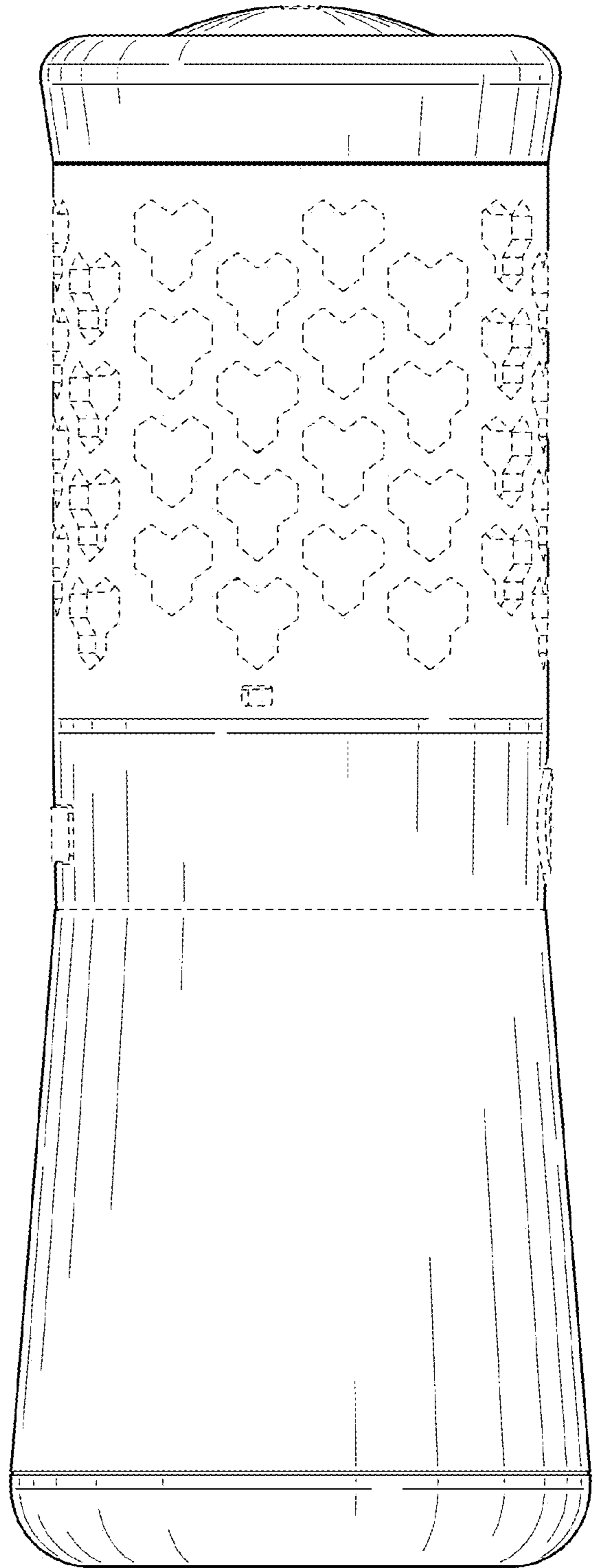


FIG. 6

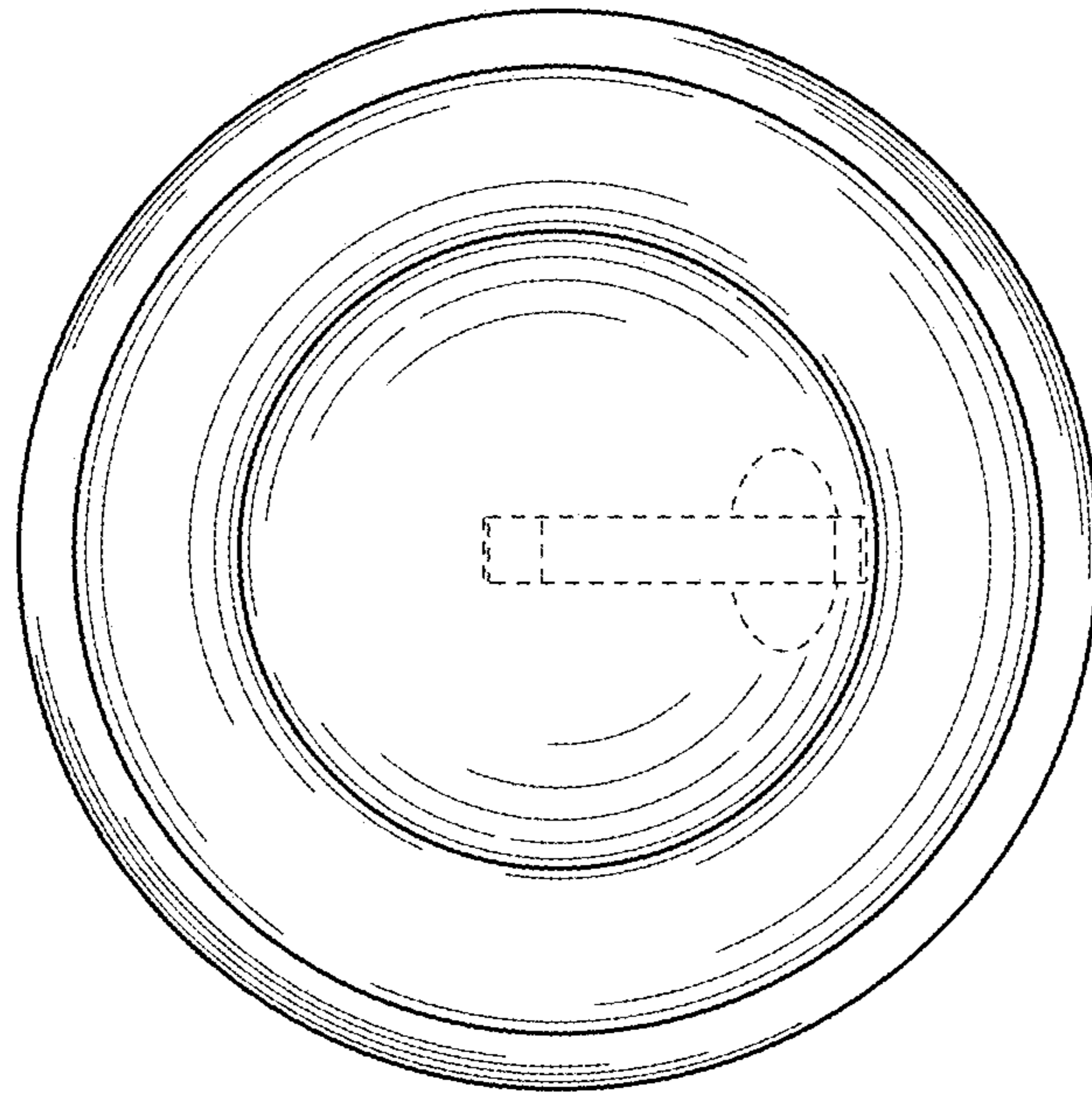


FIG. 7

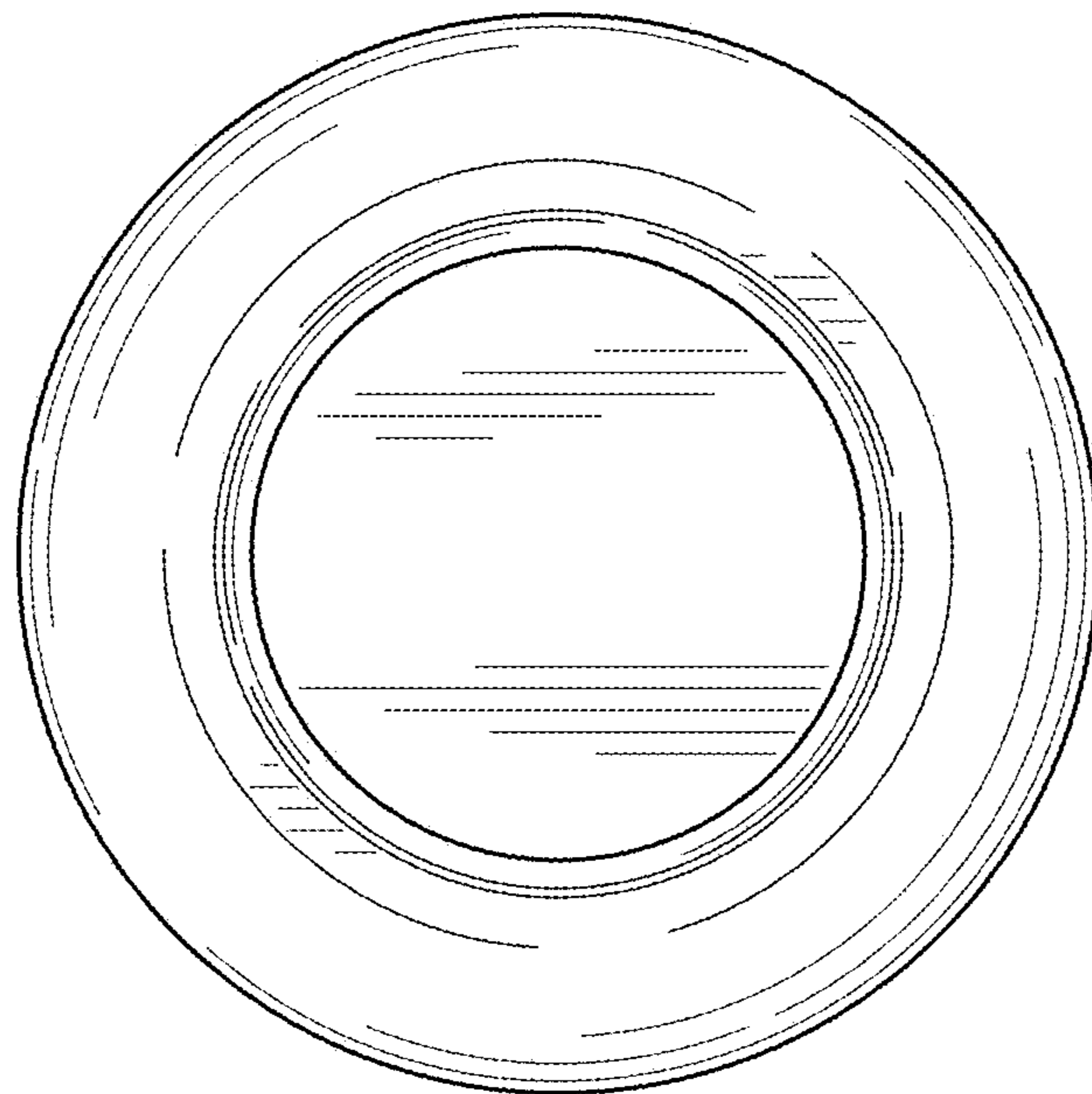


FIG. 8